

US00D504710S

(12) **United States Design Patent**  
**Kimball**

(10) **Patent No.:** **US D504,710 S**

(45) **Date of Patent:** **\*\* May 3, 2005**

(54) **SKATE TRAINER**

(76) **Inventor:** **Douglas L. Kimball**, 301 Lovell Rd.,  
Holden, MA (US) 01520

(\*\*) **Term:** **14 Years**

(21) **Appl. No.:** **29/177,736**

(22) **Filed:** **Mar. 14, 2003**

(51) **LOC (7) Cl.** ..... **21-02**

(52) **U.S. Cl.** ..... **D21/771**

(58) **Field of Search** ..... D21/760-767,  
D21/771; D3/7, 9; D12/130, 133; 280/841,  
11.12, 809, 811, 11.19, 87.04; 482/71, 66;  
434/253, 255

(56) **References Cited**

**U.S. PATENT DOCUMENTS**

4,021,033 A \* 5/1977 Auclair et al. .... 482/66

5,024,601 A \* 6/1991 Barker ..... 434/255  
D389,545 S \* 1/1998 Gertler ..... D21/760  
6,170,840 B1 \* 1/2001 Mathias ..... 280/87.041

\* cited by examiner

*Primary Examiner*—Raphael Barkai

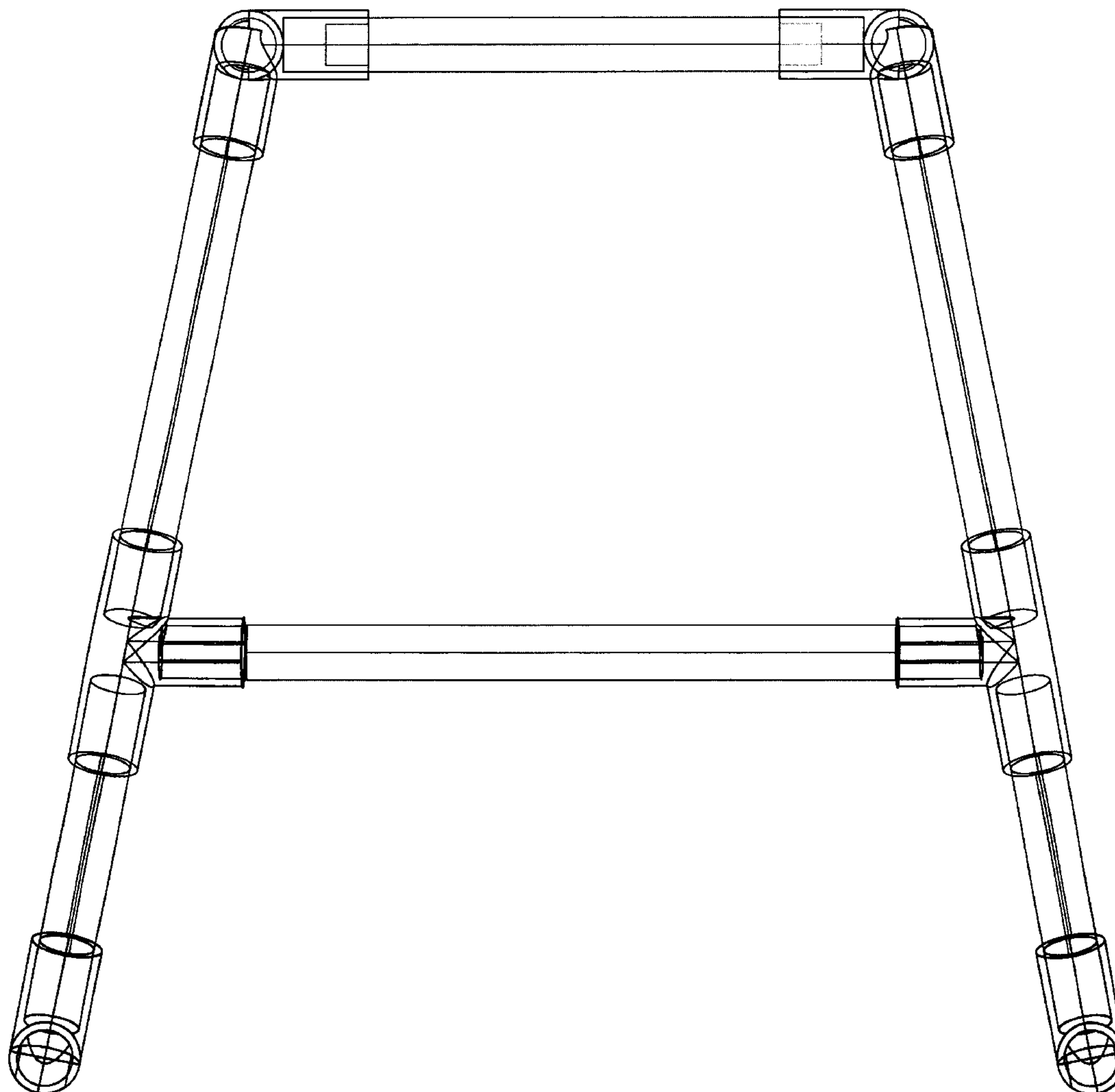
(57) **CLAIM**

The ornamental design for a skate trainer, as shown and described.

**DESCRIPTION**

FIG. 1 is a complete view of the skate trainer;  
FIG. 2 is a side view of the skate trainer;  
FIG. 3 is a front view of the skate trainer;  
FIG. 4 is a back view of the skate trainer; and,  
FIG. 5 is a top view of the skate trainer.

**1 Claim, 5 Drawing Sheets**



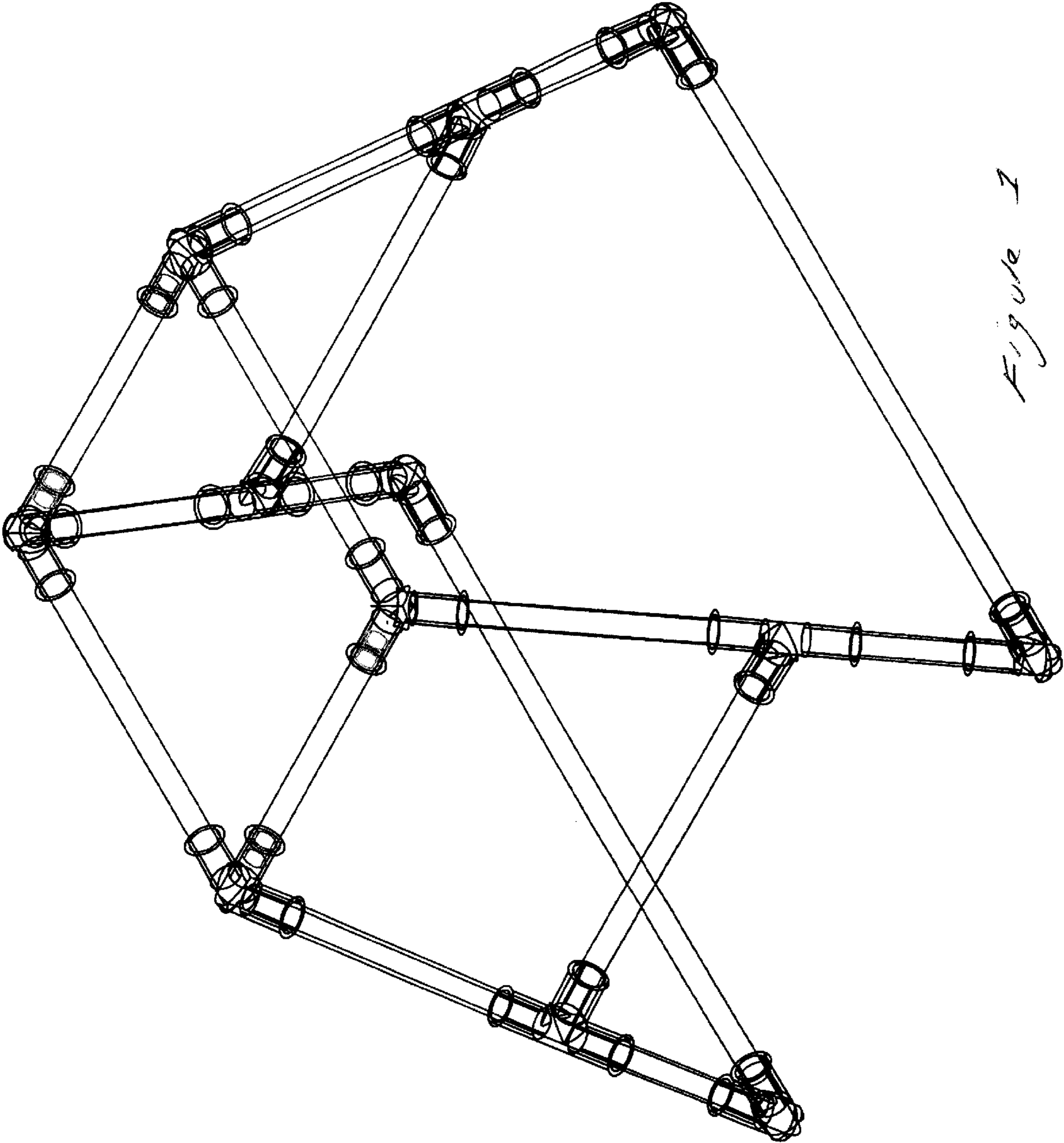


Figure 1

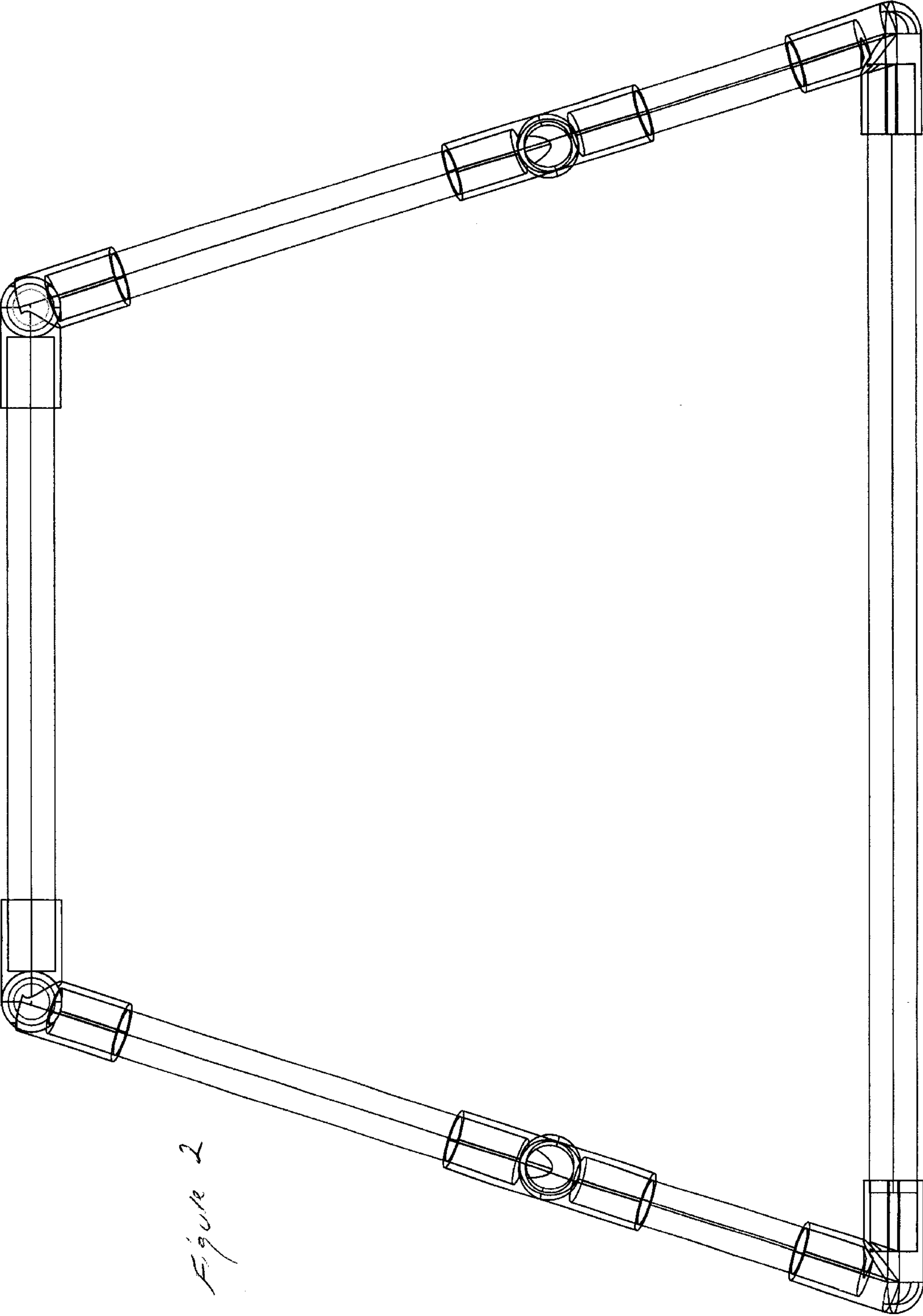


Figure 2

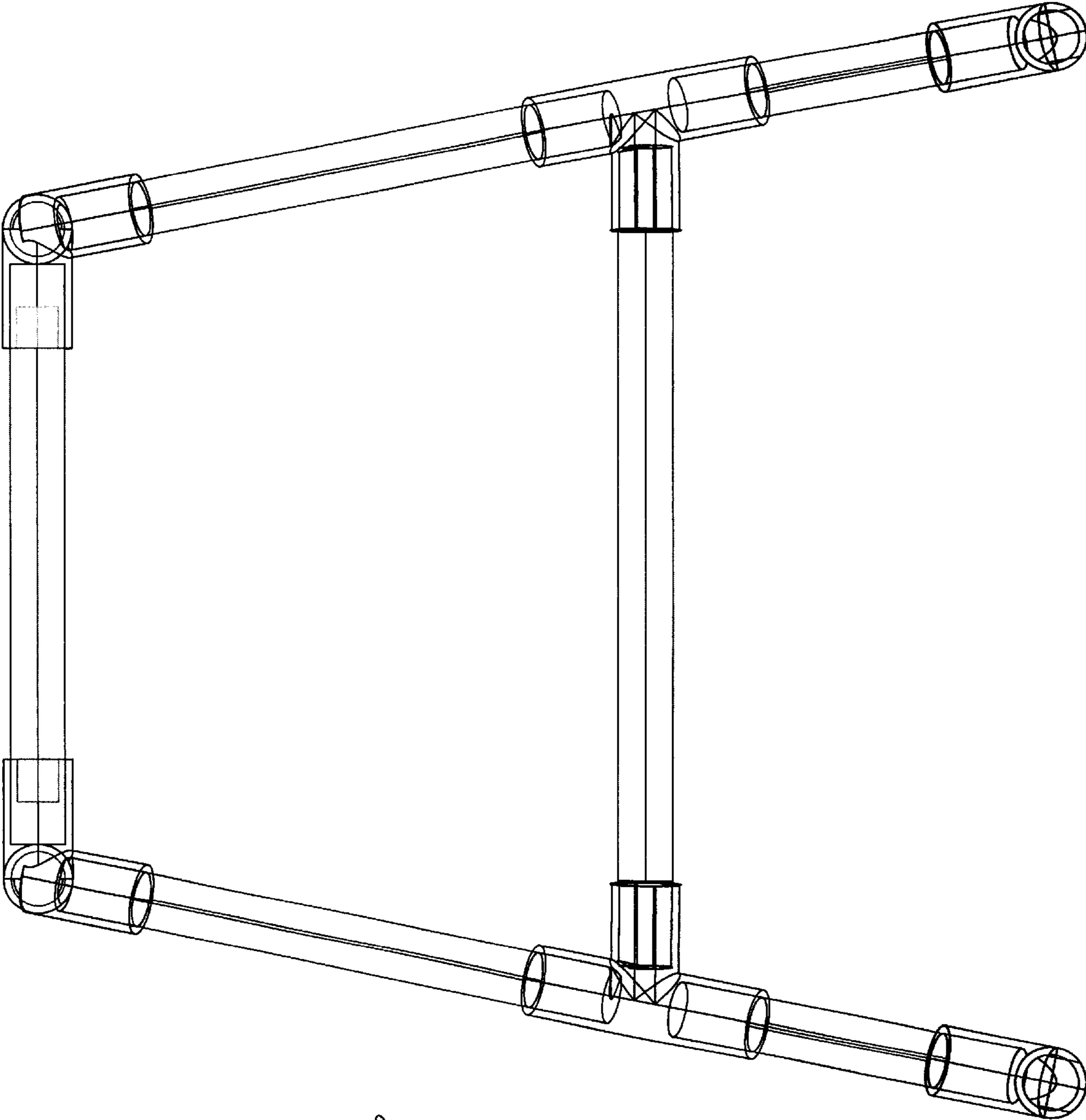


Figure 3

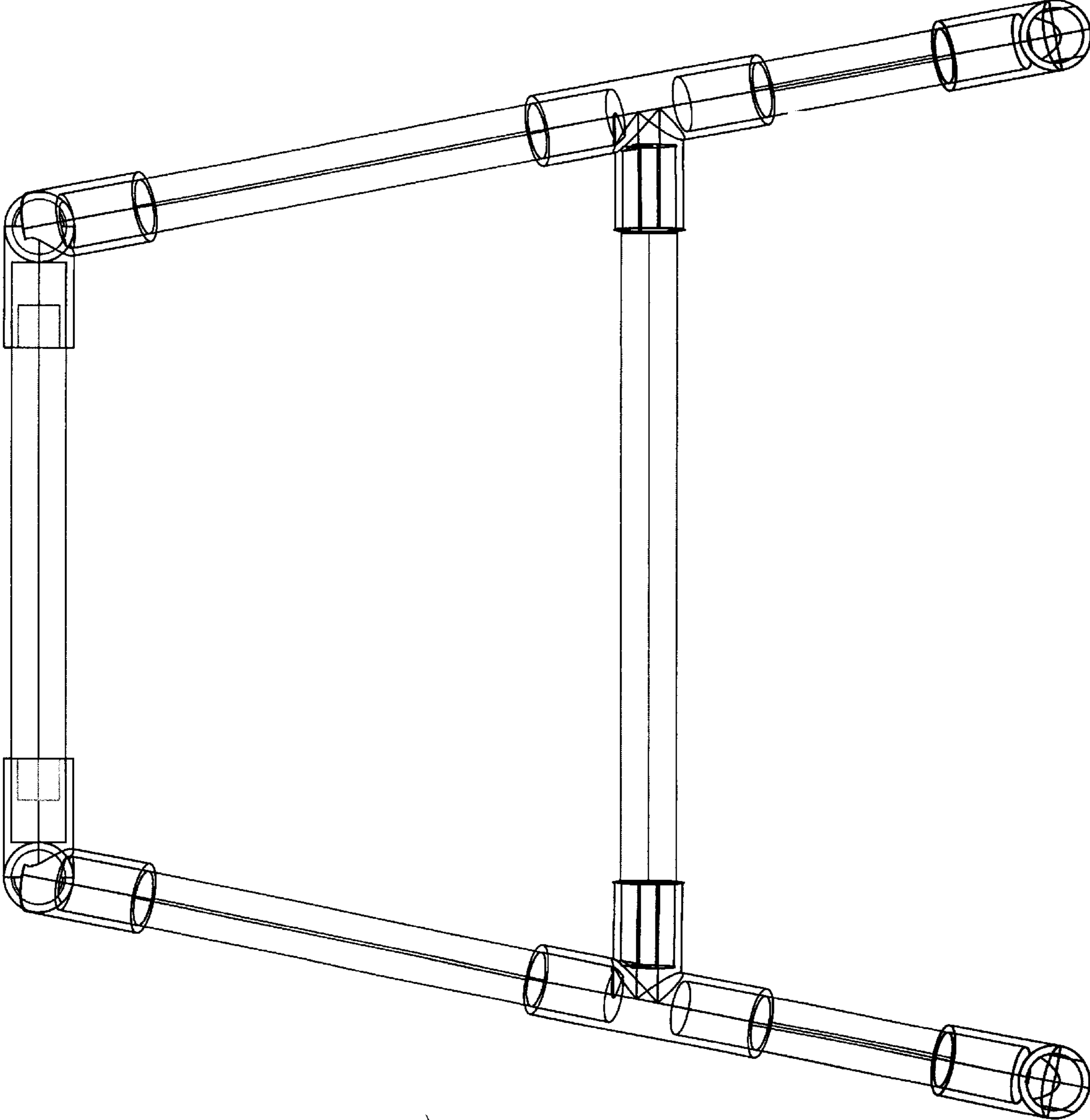
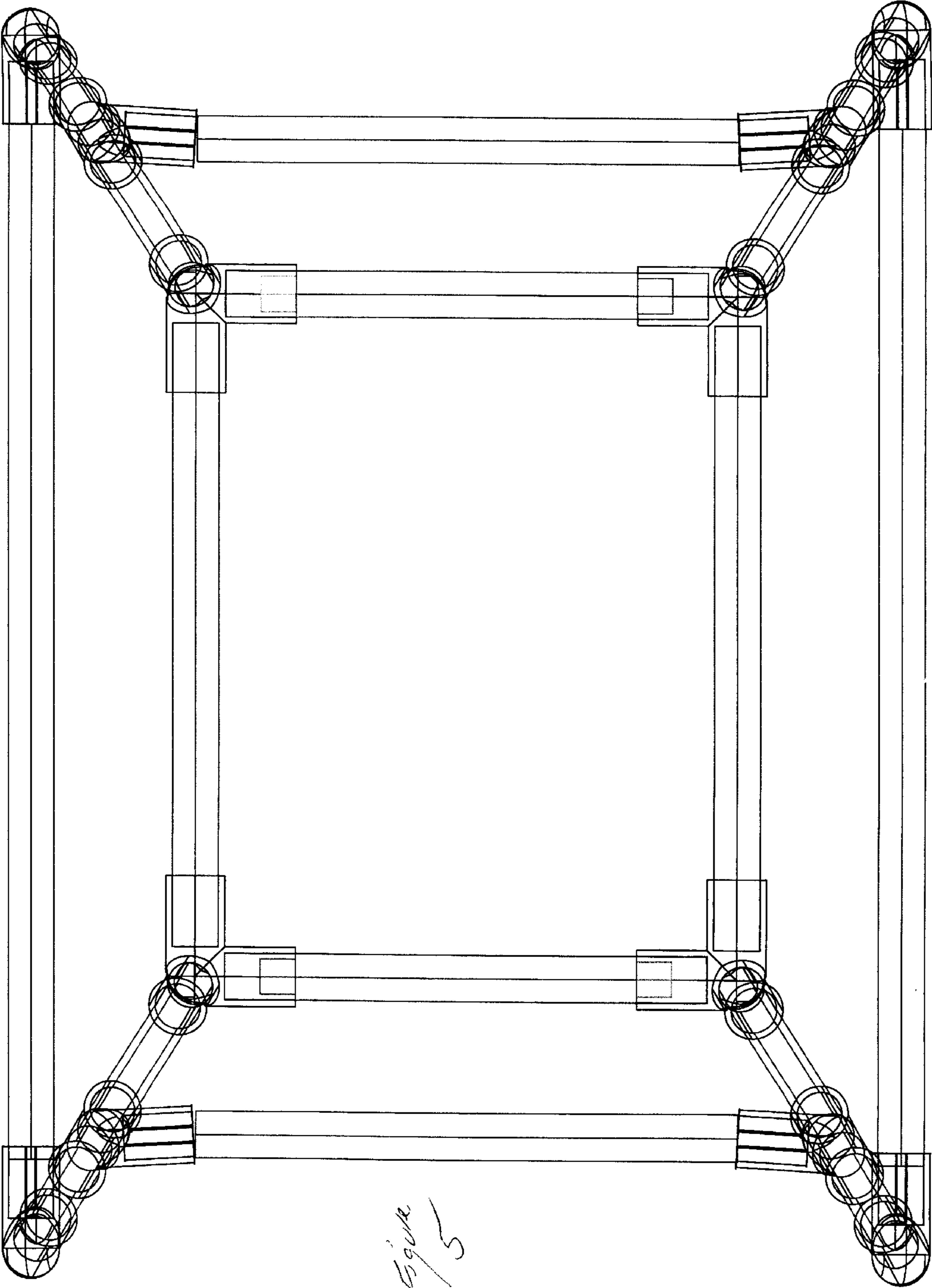


Figure 4



*Figure 5*