

US00D504706S

(12) **United States Design Patent** (10) **Patent No.:** **US D504,706 S**  
**Bennett** (45) **Date of Patent:** **\*\* May 3, 2005**

(54) **HAND-HELD ILLUMINATED ROTARY TOY**

(75) Inventor: **Bruce Bennett**, Plymouth Meeting, PA (US)

(73) Assignee: **S.R. Mickelberg Company, Inc.**, Jenkintown, PA (US)

(\*\*) Term: **14 Years**

(21) Appl. No.: **29/193,821**

(22) Filed: **Nov. 14, 2003**

(51) **LOC (7) Cl.** ..... **21-01**

(52) **U.S. Cl.** ..... **D21/398; D21/455; D26/47**

(58) **Field of Search** ..... D21/398-406, D21/455, 461, 468, 483, 493, 498, 503, 514, 567, 568, 811, 812; D26/4, 7, 37-51, 57, 73, 94, 125, 128, 131, 147, 156; D11/117, 121, 125; D20/21; 446/15, 16, 18, 21, 76, 129-140, 175, 194, 217-219, 233, 236, 242-244, 256-266, 397, 404, 408, 421, 484, 485, 487, 491; 362/35, 102, 121, 252, 565, 566, 577, 806, 807; 40/430-435, 553, 555

(56) **References Cited**

**U.S. PATENT DOCUMENTS**

2,242,981	A	*	5/1941	Pedersen	.....	362/577
D227,588	S	*	7/1973	Stubbmann	.....	D21/398
3,804,411	A	*	4/1974	Hendry	.....	473/570
4,489,111	A	*	12/1984	Woodrum	.....	428/11
4,717,158	A	*	1/1988	Pennisi	.....	473/570
5,037,346	A	*	8/1991	Cimock	.....	446/419
5,324,224	A	*	6/1994	Anderson et al.	.....	446/91
D371,580	S	*	7/1996	Venecia	.....	D21/405
5,779,575	A	*	7/1998	Hsieh	.....	473/570
6,413,144	B1	*	7/2002	Williams	.....	446/484
6,558,022	B2	*	5/2003	Kawahara	.....	362/257

6,589,094	B2	*	7/2003	Spencer	.....	446/242
6,592,423	B1	*	7/2003	Boyle et al.	.....	446/175
2003/0199343	A1	*	10/2003	Ilcisin et al.	.....	473/570
2004/0077264	A1	*	4/2004	Walker et al.	.....	446/175

**FOREIGN PATENT DOCUMENTS**

JP 06285270 A \* 10/1994 ..... A63H/33/22

\* cited by examiner

*Primary Examiner*—Stella Reid

*Assistant Examiner*—C. Tuttle

(74) *Attorney, Agent, or Firm*—Caesar, Rivise, Bernstein, Cohen & Pokotilow, Ltd.

(57) **CLAIM**

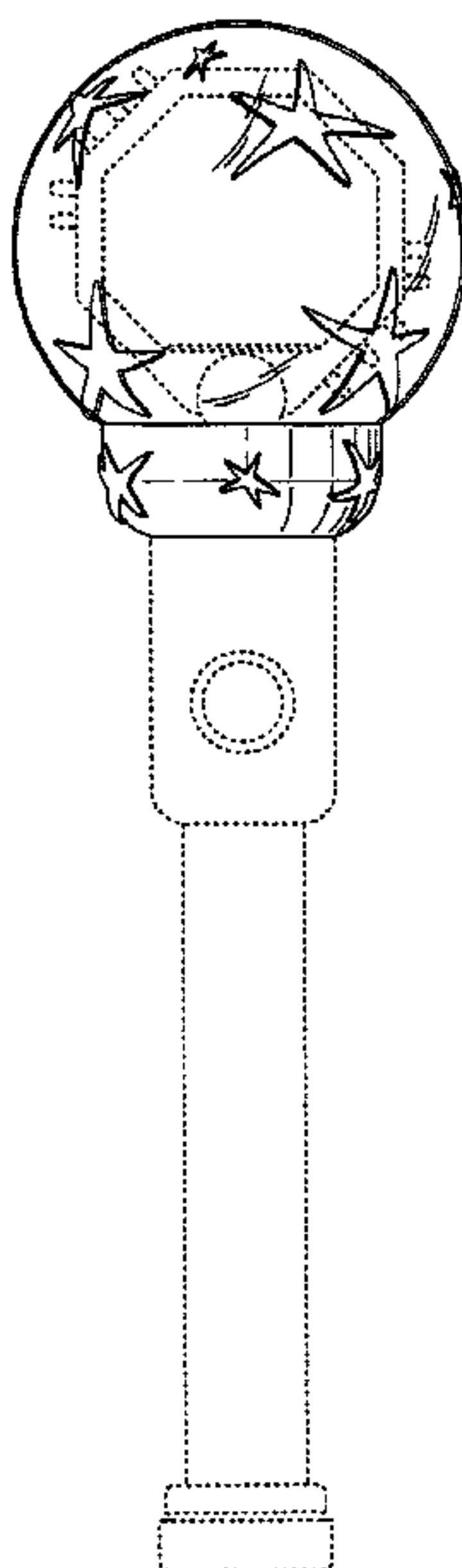
The ornamental design for a hand-held illuminated rotary toy, substantially as shown and described.

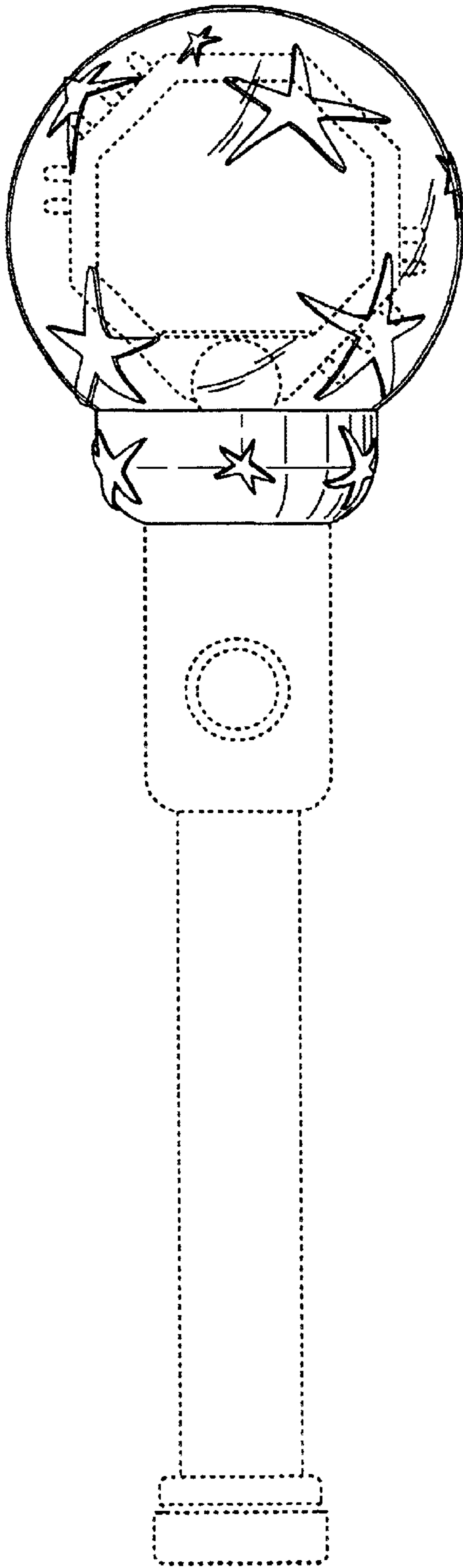
**DESCRIPTION**

FIG. 1 is a front elevational view showing my new design for a hand-held illuminated rotary toy as embodied in a first handle configuration shown in phantom lines; FIG. 2 is a right side elevational view thereof; FIG. 3 is a rear elevational view thereof; FIG. 4 is a left side elevational view thereof; FIG. 5 is a top plan view thereof; FIG. 6 is a bottom plan view thereof; and, FIG. 7 is a front elevational view showing the design as embodied in an alternative handle configuration shown in phantom lines.

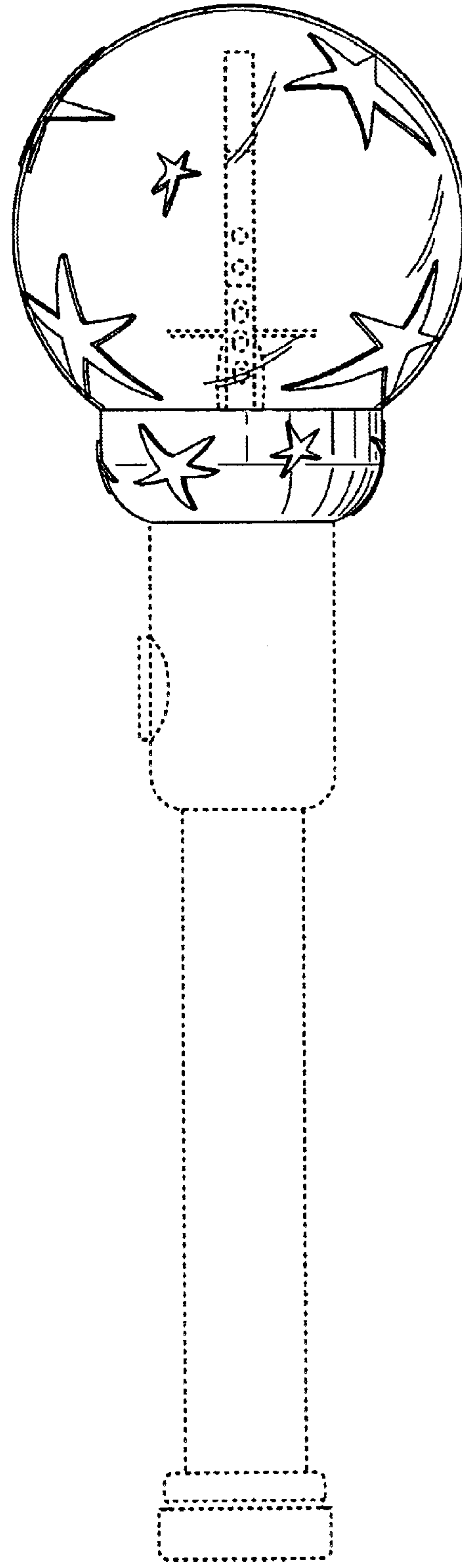
Any outlines of the exterior star-shaped surface relief that would be visible through the transparent surfaces on the posterior sides of the various views have been omitted for clarity of illustration. The broken lines showing the handles and rotary illuminated interior portions are for illustrative purposes only and form no part of the claimed design.

**1 Claim, 3 Drawing Sheets**

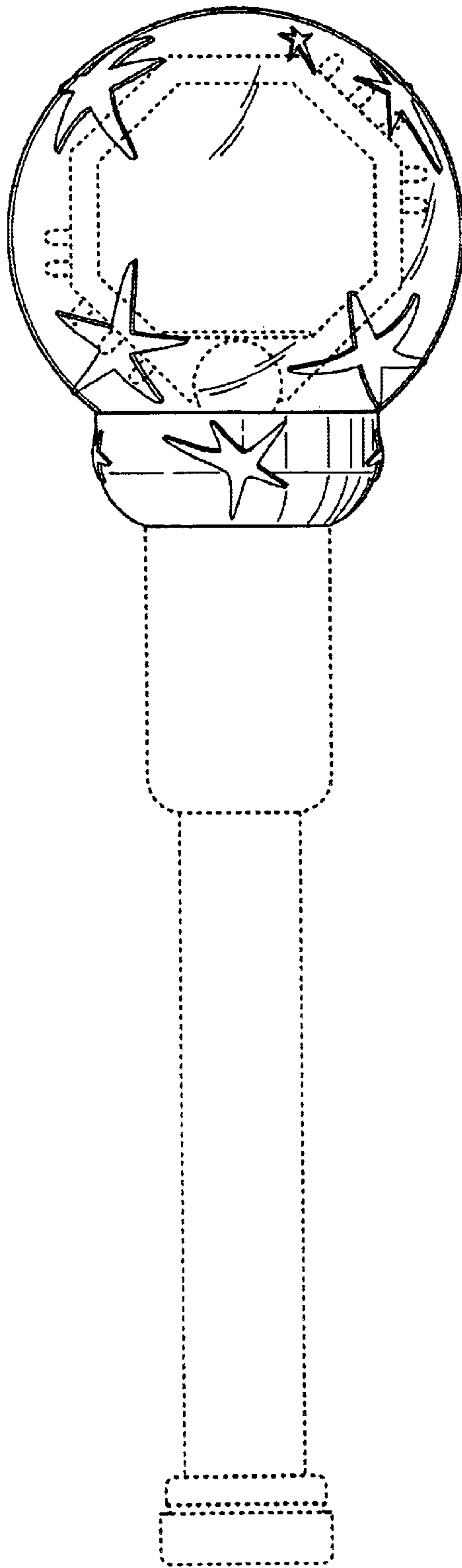




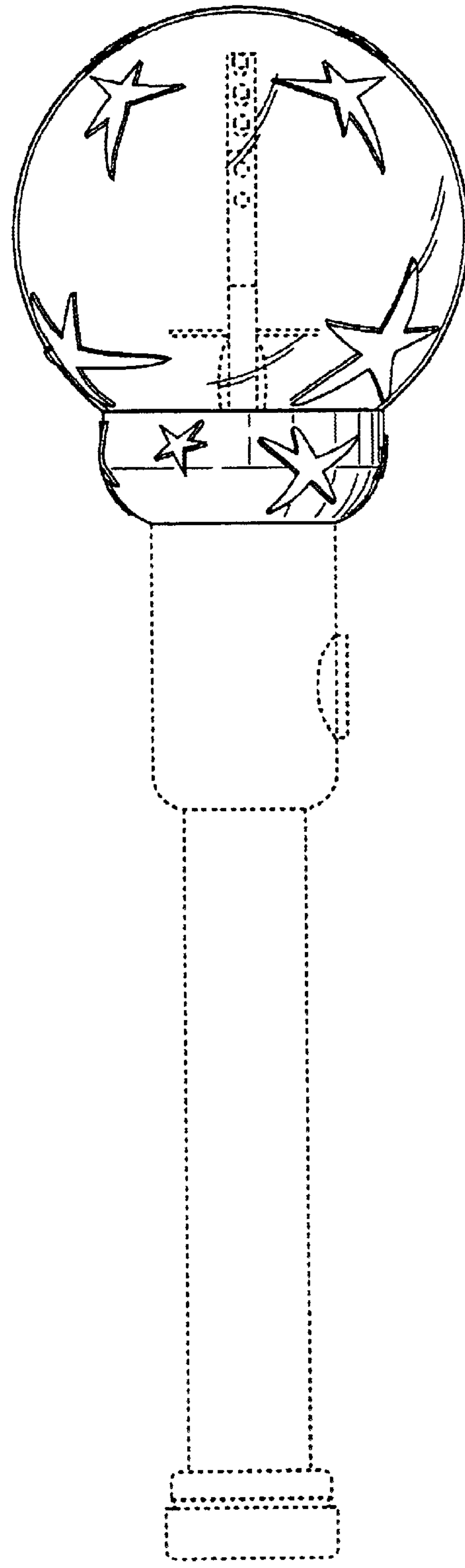
**FIG. 1**



**FIG. 2**

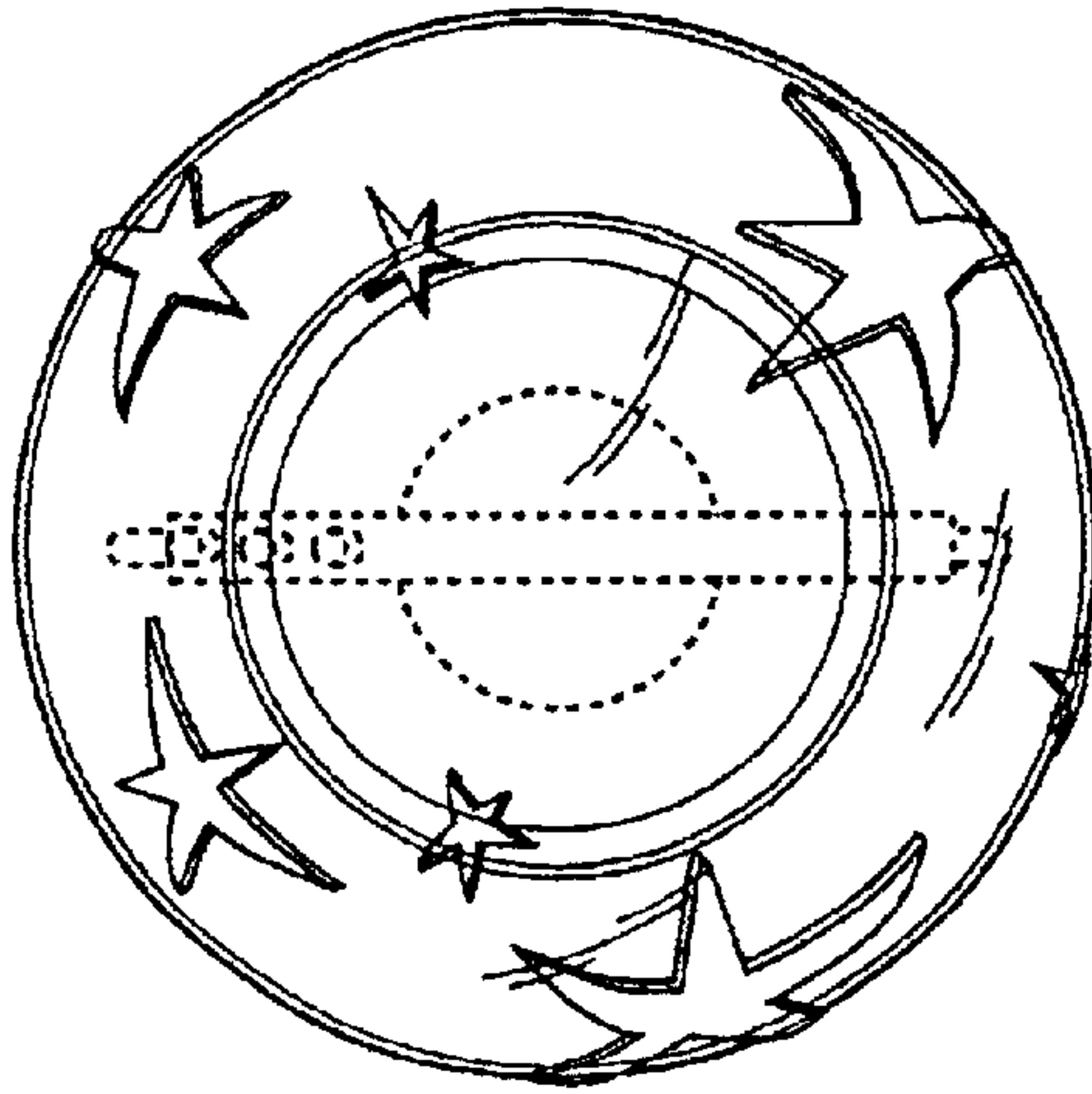


**FIG. 3**

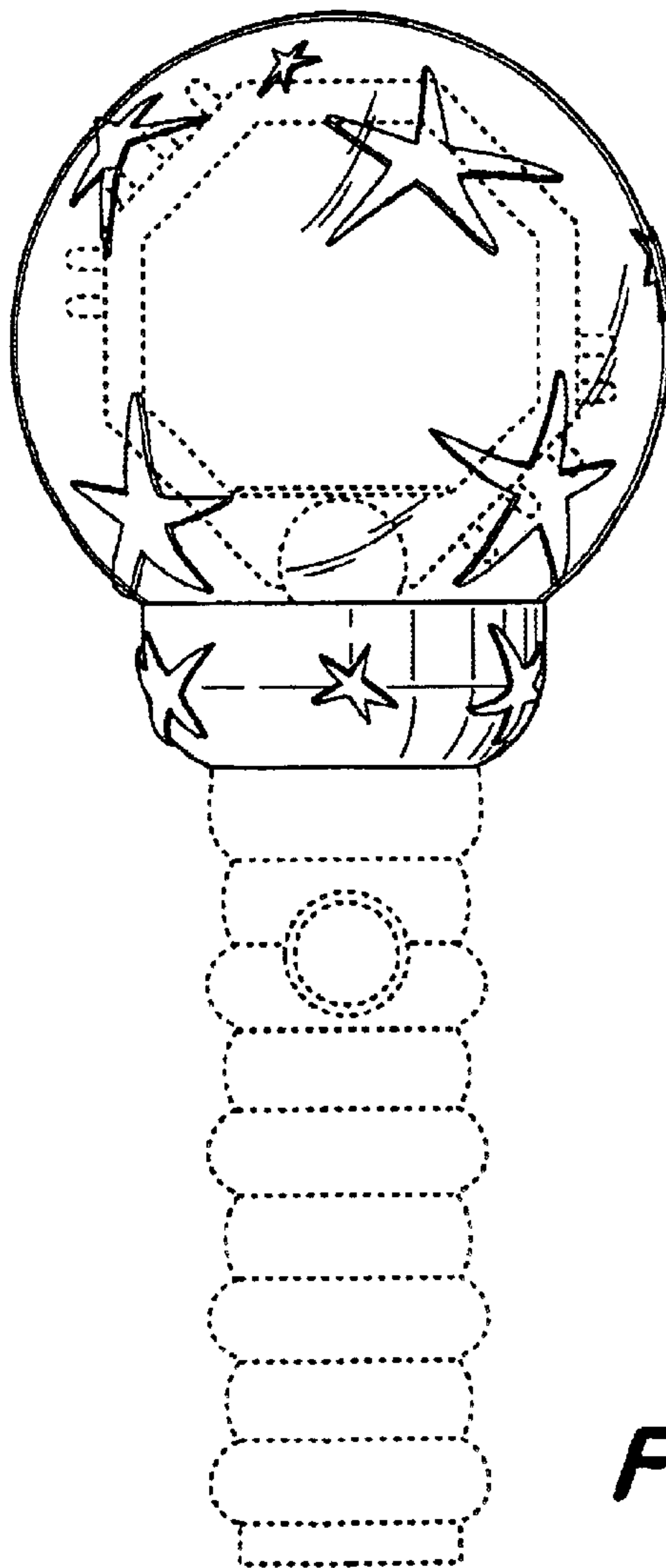
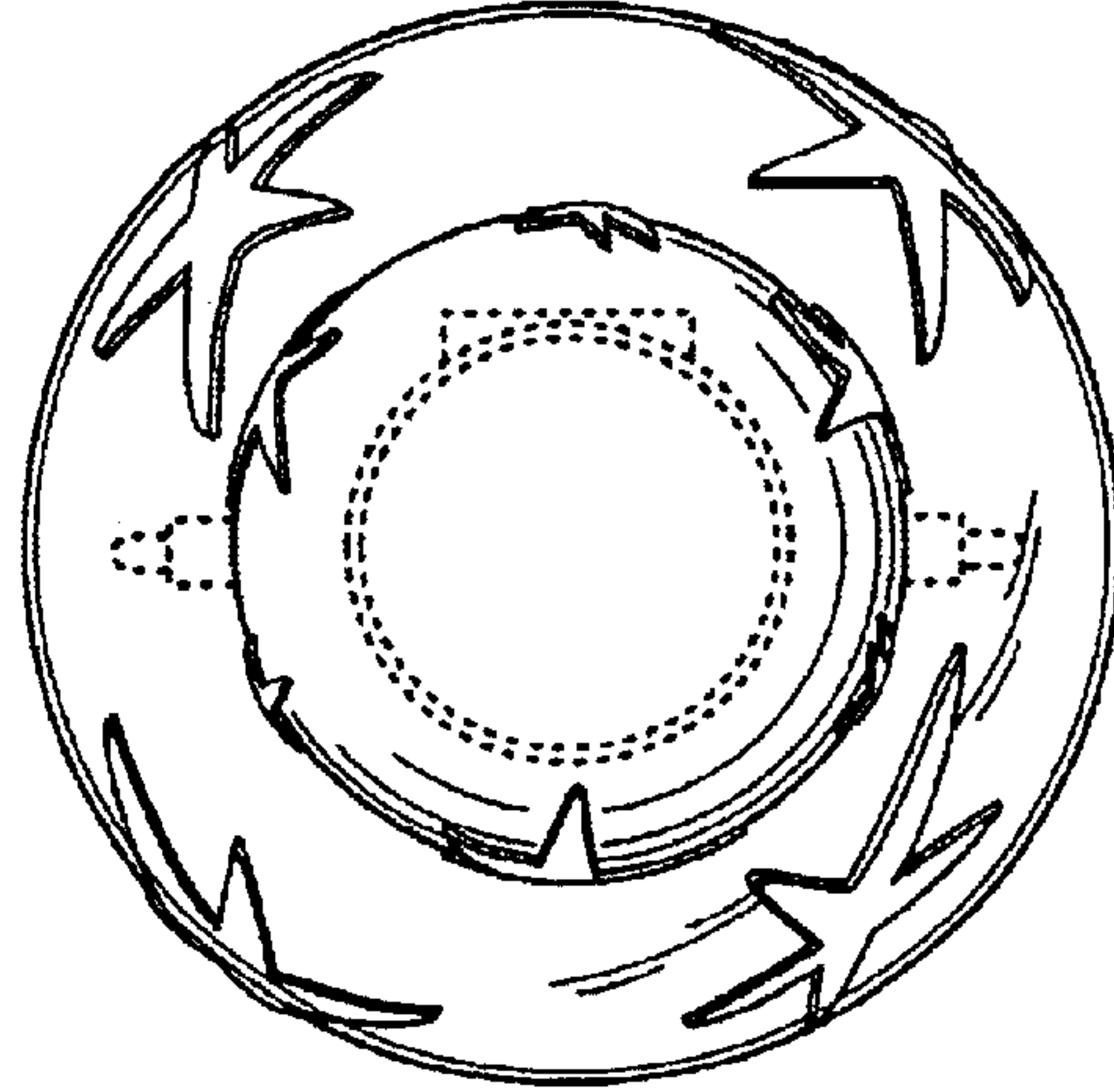


**FIG. 4**

**FIG. 5**



**FIG. 6**



**FIG. 7**