

US00D504704S

(12) **United States Design Patent**  
**Hansen**

(10) **Patent No.: US D504,704 S**  
(45) **Date of Patent: \*\* May 3, 2005**

(54) **SLIDABLE INDEX TAB FOR HANGING FILE FOLDER**

(76) Inventor: **Merrill J. Hansen**, 2800 Hillsboro Ave.  
North, New Hope, MN (US) 55427

(\*\*) Term: **14 Years**

(21) Appl. No.: **29/207,456**

(22) Filed: **Jun. 14, 2004**

**Related U.S. Application Data**

(62) Division of application No. 29/160,021, filed on May 2, 2002, now Pat. No. Des. 491,607.

(51) **LOC (7) Cl.** ..... **19-99**

(52) **U.S. Cl.** ..... **D19/99**

(58) **Field of Search** ..... D19/65, 75, 77,  
D19/78, 86, 90, 91, 99, 100, 32; 229/67.1-67.4,  
928; 40/359, 360, 651, 641, 649; 283/36,  
37, 39, 41; D20/43; 402/79, 80 R; 211/162

(56) **References Cited**

**U.S. PATENT DOCUMENTS**

1,513,929 A \* 11/1924 Rand ..... 40/360  
2,151,717 A \* 3/1939 Quigley ..... 40/359

2,526,950 A \* 10/1950 Jones ..... 40/360  
3,037,510 A \* 6/1962 Saymon ..... 40/360  
3,205,597 A \* 9/1965 Stern ..... 40/641  
3,238,947 A \* 3/1966 Churnick ..... 211/162  
D204,337 S \* 4/1966 Smith ..... D19/21  
3,244,179 A \* 4/1966 Porteous et al. .... 211/162  
5,311,685 A \* 5/1994 Wyant ..... 40/359  
6,332,285 B1 \* 12/2001 Aaldenberg et al. .... 40/641  
D491,607 S \* 6/2004 Hansen ..... D19/99

\* cited by examiner

*Primary Examiner*—Martie K. Holtje

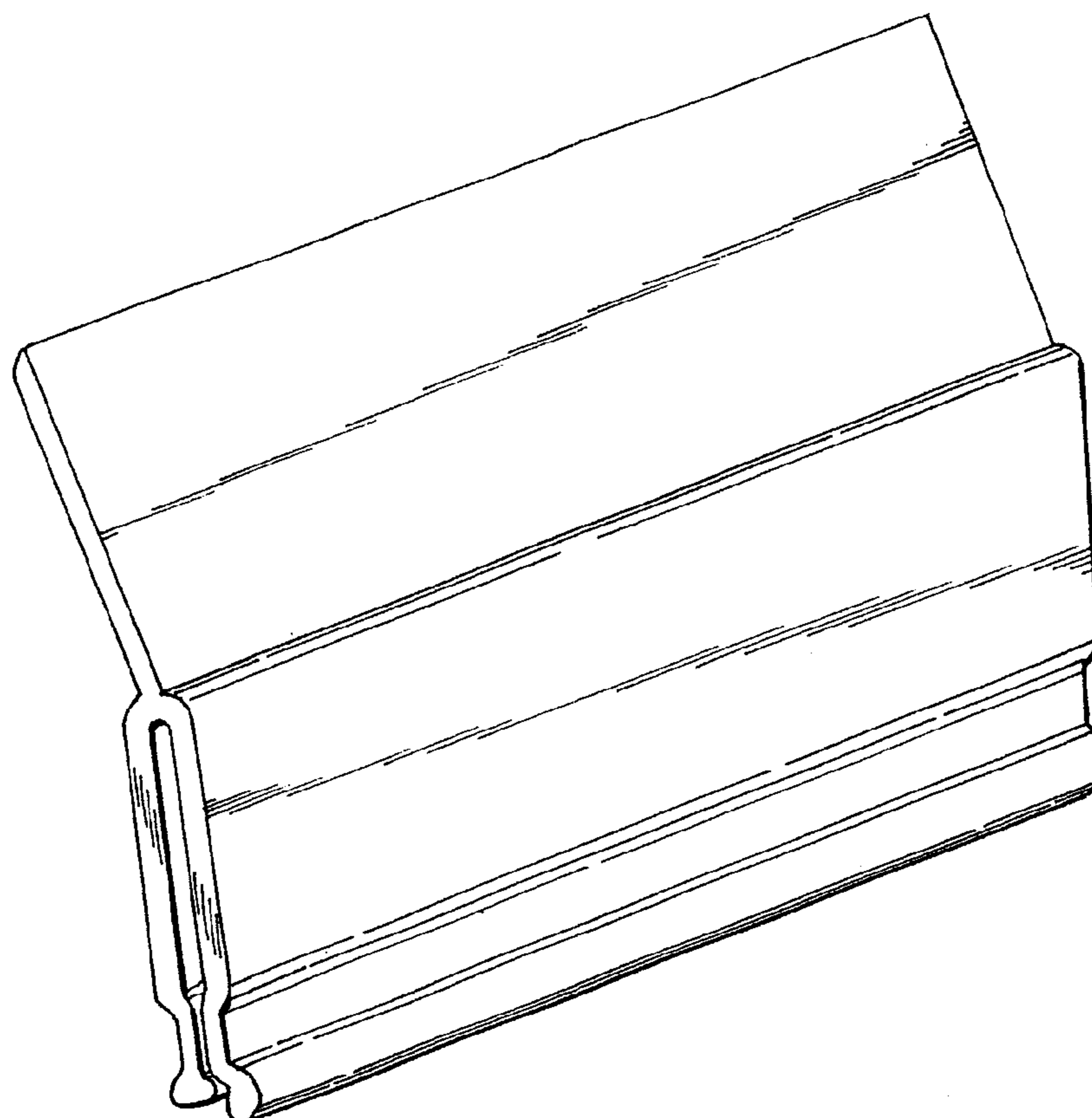
(57) **CLAIM**

The ornamental design for a slidable index tab for hanging file folder, as shown and described.

**DESCRIPTION**

FIG. 1 is a perspective view of a slidable index tab for hanging file folder of my new design;  
FIG. 2 is a front elevational view thereof;  
FIG. 3 is a top plan view thereof;  
FIG. 4 is a bottom plan view thereof;  
FIG. 5 is a side elevational view thereof, the opposite side being a mirror image thereof; and,  
FIG. 6 is a rear elevational view thereof.

**1 Claim, 2 Drawing Sheets**



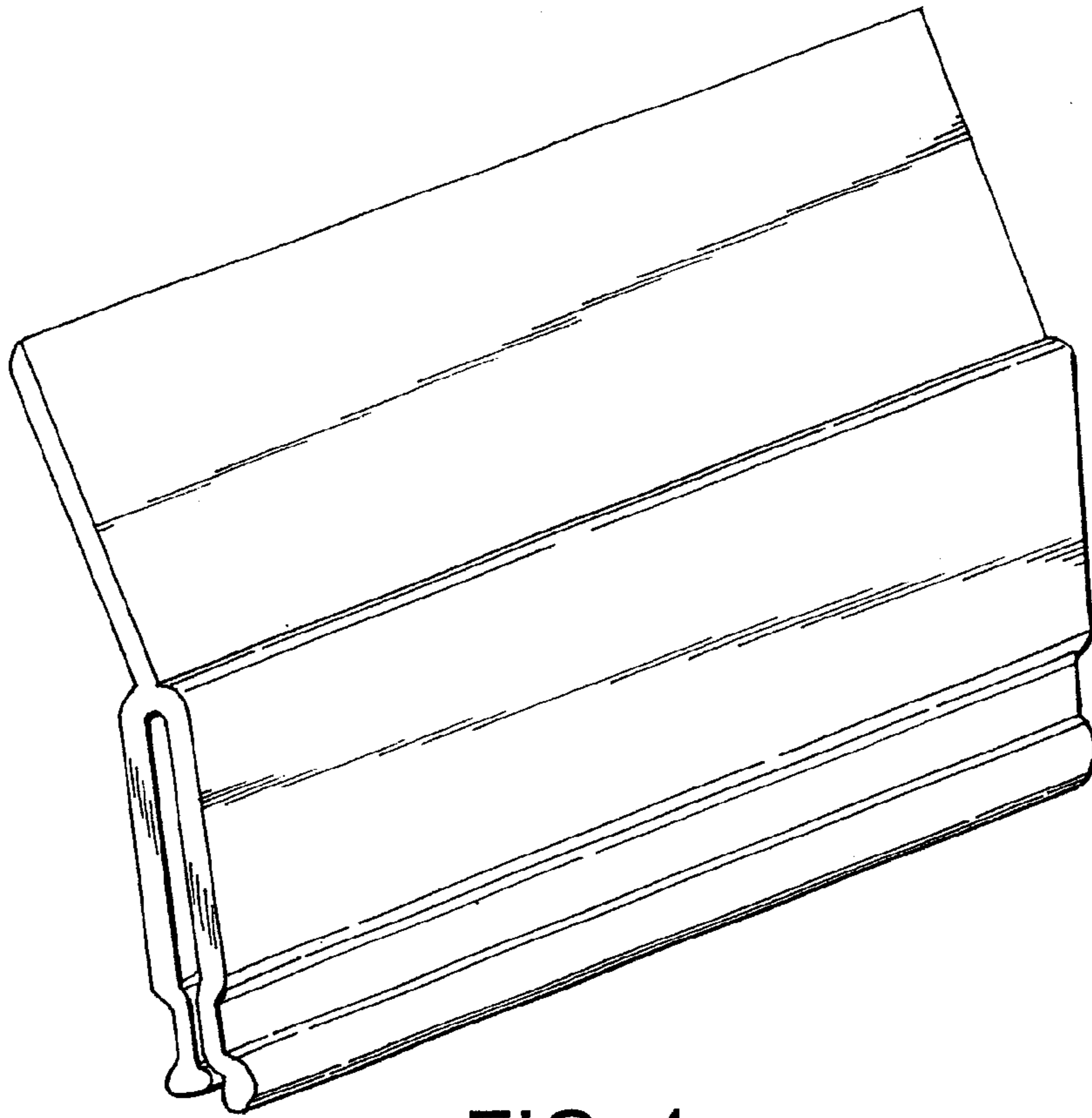


FIG. 1

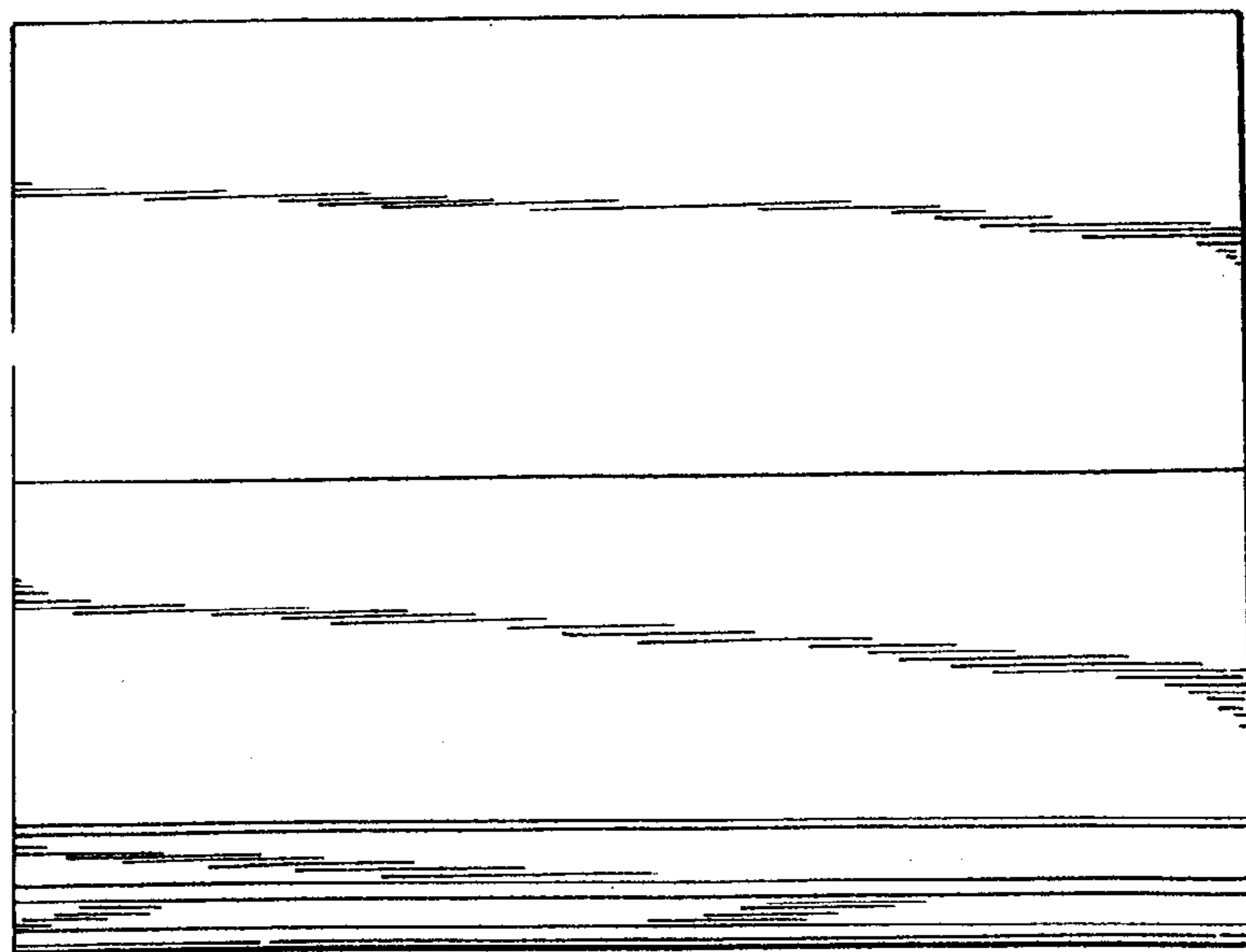


FIG. 2

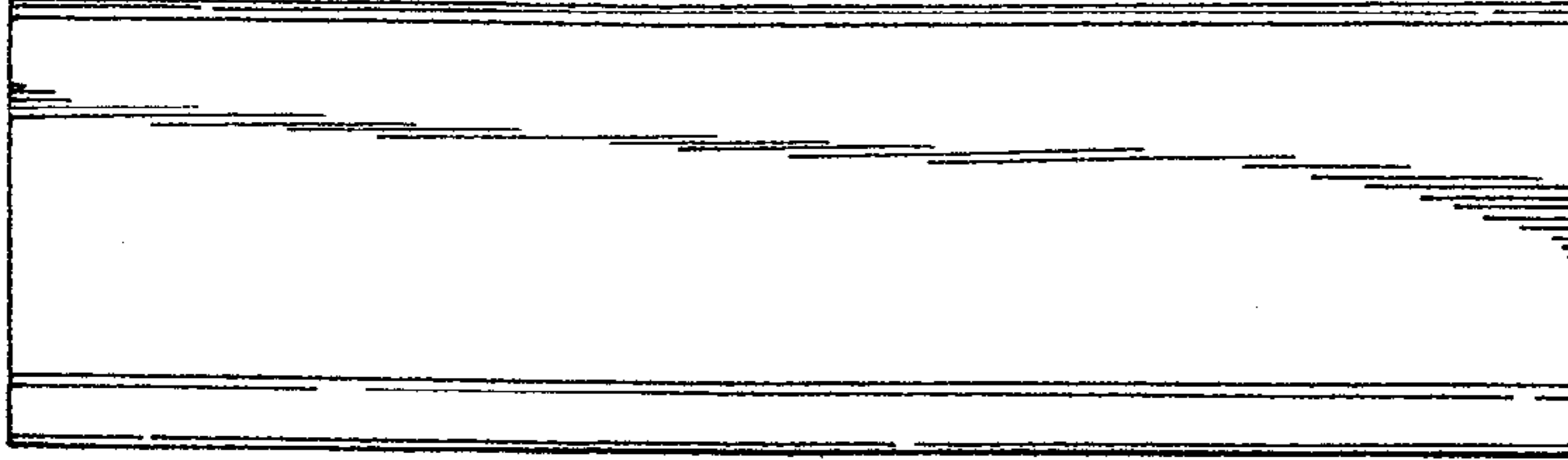


FIG. 3

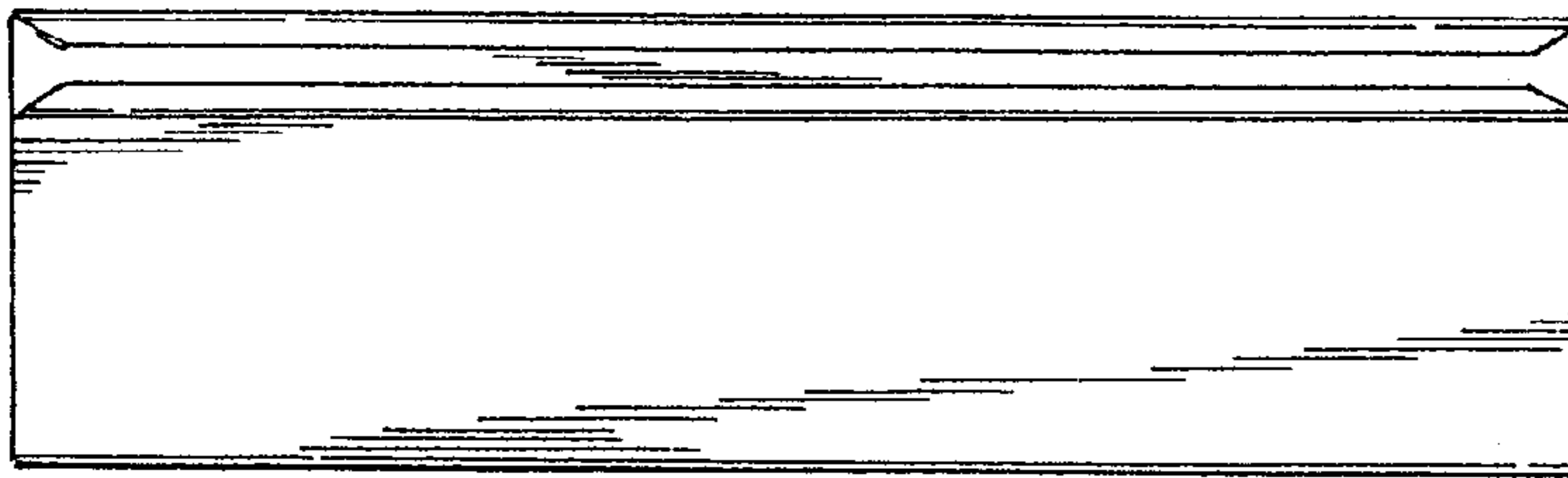


FIG. 4

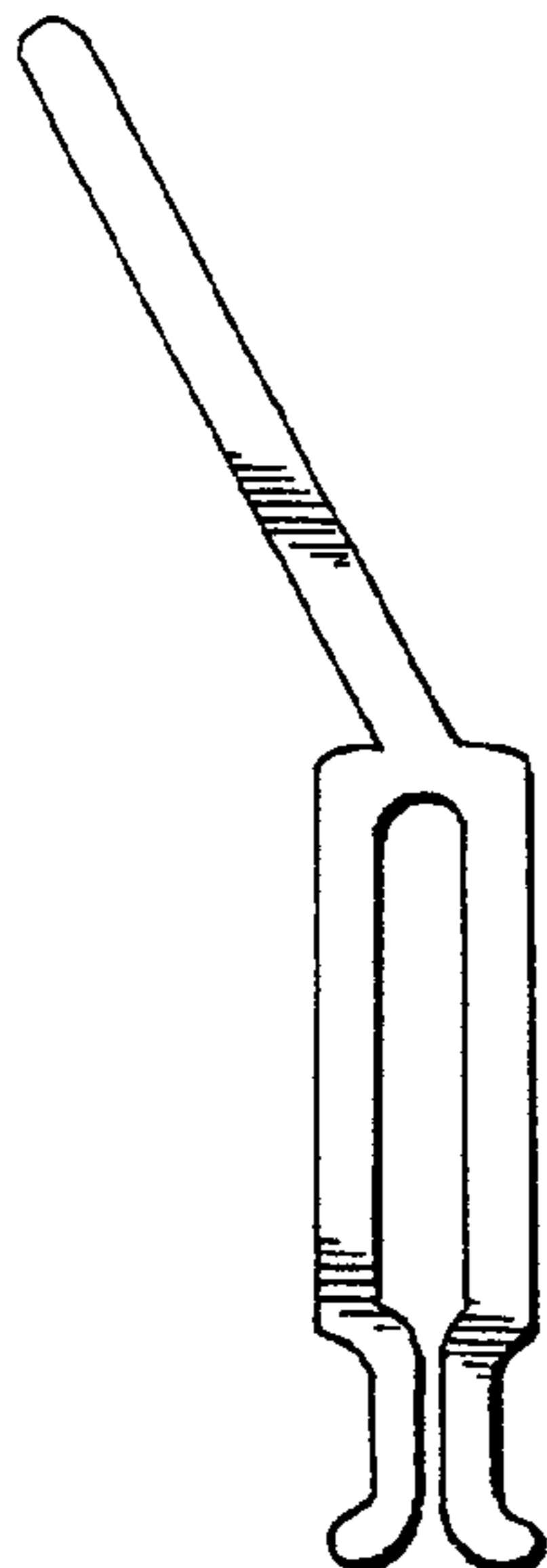


FIG. 5

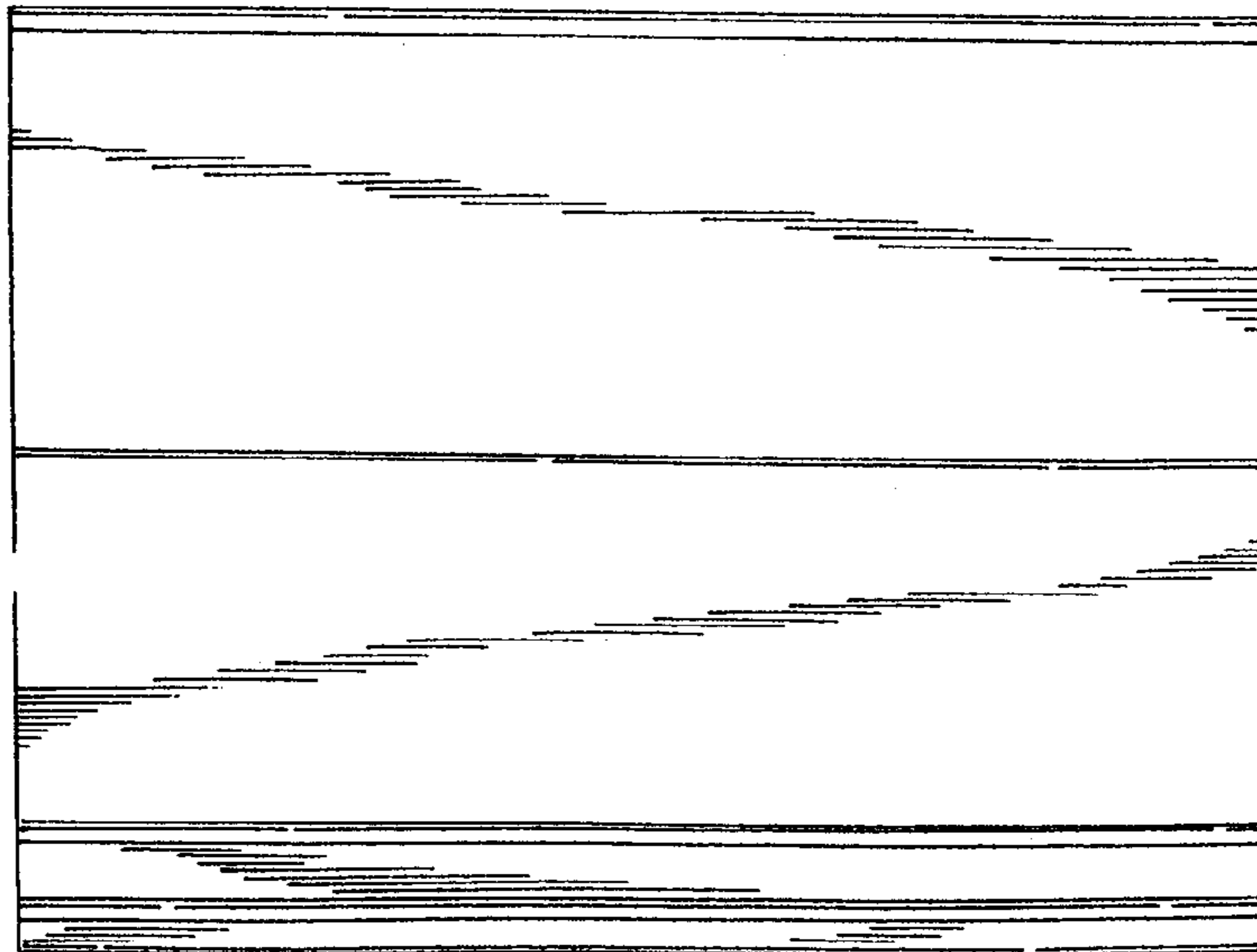


FIG. 6