

US00D504703S

(12) **United States Design Patent**  
**Smith**

(10) **Patent No.:** **US D504,703 S**

(45) **Date of Patent:** **\*\* May 3, 2005**

- (54) **TRAY**
- (75) **Inventor:** **Aaron W. Smith**, Plainfield, IL (US)
- (73) **Assignee:** **Rubbermaid Incorporated**, Fairlawn, OH (US)
- (\*\*) **Term:** **14 Years**

D356,822 S	3/1995	Volk	.....	D19/35
D382,402 S	8/1997	Pawuk et al.	.....	D3/304
D390,876 S	2/1998	Cheris et al.	.....	D19/92
5,911,320 A *	6/1999	Forestelle	.....	206/215
D434,804 S	12/2000	Chang	.....	D19/92
D454,371 S	3/2002	Goodman et al.	.....	D19/92
D479,273 S	9/2003	Chang	.....	D19/92
D492,360 S	6/2004	Hardy	.....	D19/92

- (21) **Appl. No.:** **29/206,580**
- (22) **Filed:** **Jun. 1, 2004**
- (51) **LOC (7) Cl.** ..... **19-02**
- (52) **U.S. Cl.** ..... **D19/92; D19/95**
- (58) **Field of Search** ..... D19/35, 36, 91,  
D19/92, 75, 77, 78, 86, 95, 99, 100; 206/214,  
215, 225, 449, 555, 557; 211/10, 11, 13.1,  
126.1, 50, 126.5, 126.6, 126.8, 126.13,  
126.16, 126.2

**OTHER PUBLICATIONS**

Undated drawing of letter tray which is the subject of co-pending U.S. Appl. No. 29/202,695, filed Apr. 2, 2004.

\* cited by examiner

*Primary Examiner*—Martie K. Holtje  
(74) *Attorney, Agent, or Firm*—Marshall, Gerstein & Borun LLP

(56) **References Cited**

**U.S. PATENT DOCUMENTS**

D46,773 S	*	12/1914	La Jeuness	.....	D19/92
D50,788 S	*	5/1917	Johnson	.....	D19/92
1,740,424 A	*	12/1929	Blaine	.....	206/449
1,867,738 A	*	7/1932	Fraser	.....	206/557
2,100,720 A	*	11/1937	Page	.....	211/50
2,183,992 A	*	12/1939	Hearn et al.	.....	211/126.1
D125,415 S	*	2/1941	Freligh	.....	D19/92
D137,950 S	*	5/1944	Howard	.....	D19/92
3,934,724 A		1/1976	Johnson	.....	206/507
4,102,453 A		7/1978	Carroll et al.	.....	206/507
4,238,032 A		12/1980	Thurman	.....	206/507
4,320,837 A		3/1982	Carroll et al.	.....	206/505
D331,257 S		11/1992	Breen et al.	.....	D19/20
D334,593 S		4/1993	Evenson	.....	D19/92
D338,917 S		8/1993	Aaldenberg	.....	D19/92
D341,377 S	*	11/1993	Ringle	.....	D19/95
D348,904 S		7/1994	Linder	.....	D19/92

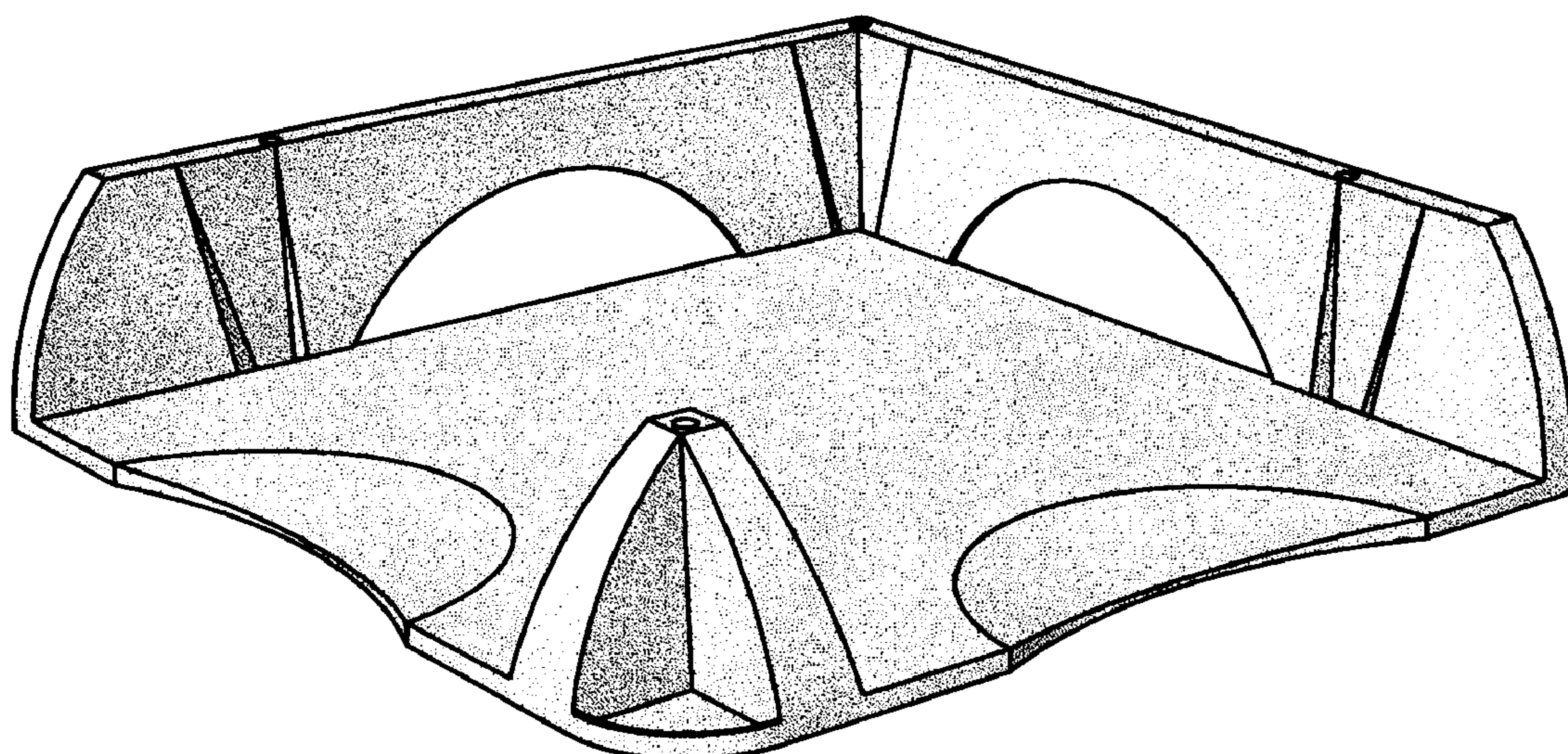
(57) **CLAIM**

The ornamental design for a “tray,” as shown and described.

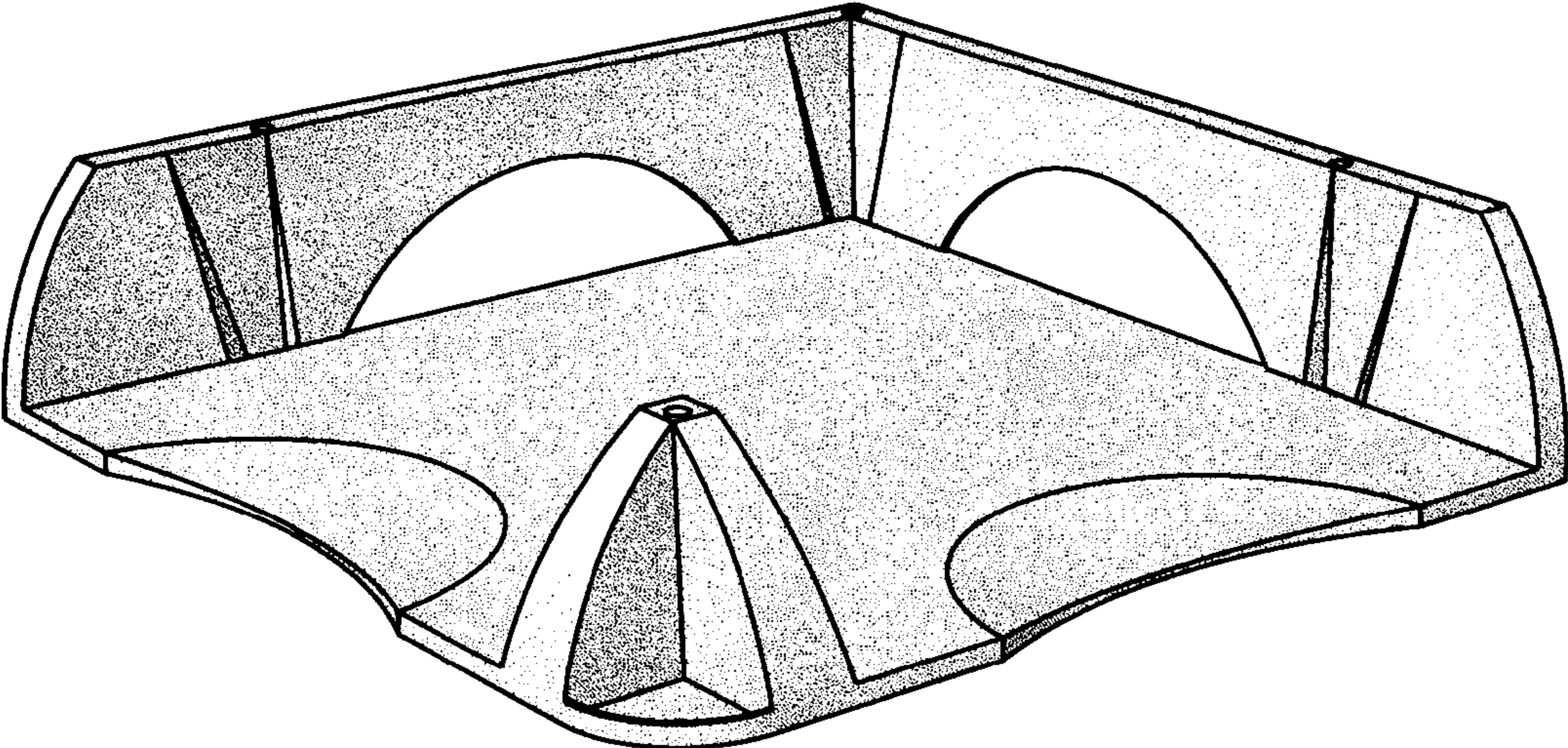
**DESCRIPTION**

FIG. 1 is a perspective view showing our new design; FIG. 2 is another perspective showing our new design; FIG. 3 is a top plan view of the tray of FIG. 1; FIG. 4 is a front elevational view of the tray of FIG. 1; FIG. 5 is a right side elevational view of the tray of FIG. 1; FIG. 6 is a left side elevational view of the tray of FIG. 1; FIG. 7 is a rear elevational view of the tray of FIG. 1; FIG. 8 is a bottom plan view of the tray of FIG. 1; FIG. 9 is a perspective view of the tray of FIG. 8; FIG. 10 is another perspective view showing our new design; and, FIG. 11 is a perspective view of the tray of FIG. 10. The dashed lines are for illustrative purposes only and form no part of the claimed design.

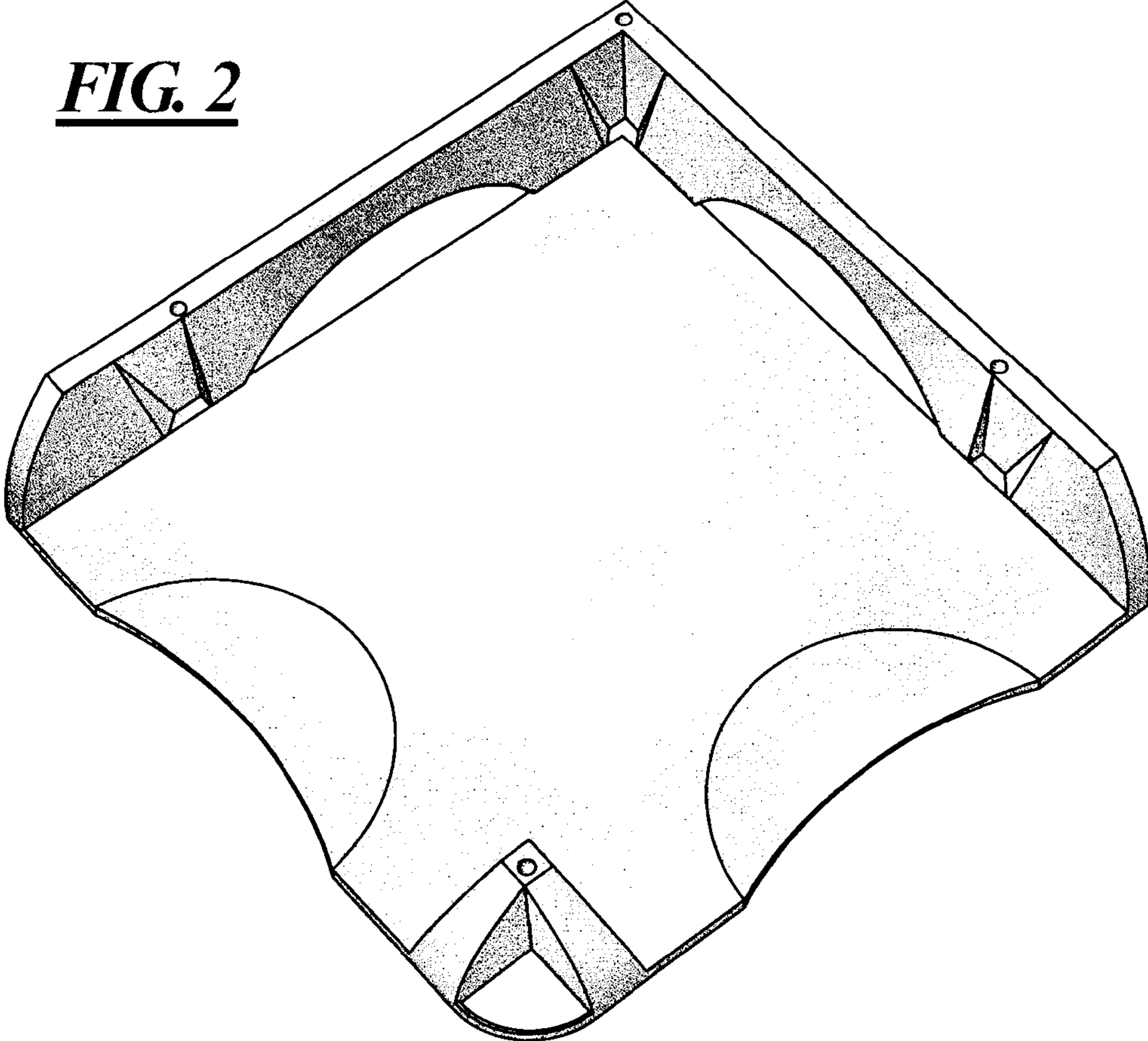
**1 Claim, 6 Drawing Sheets**



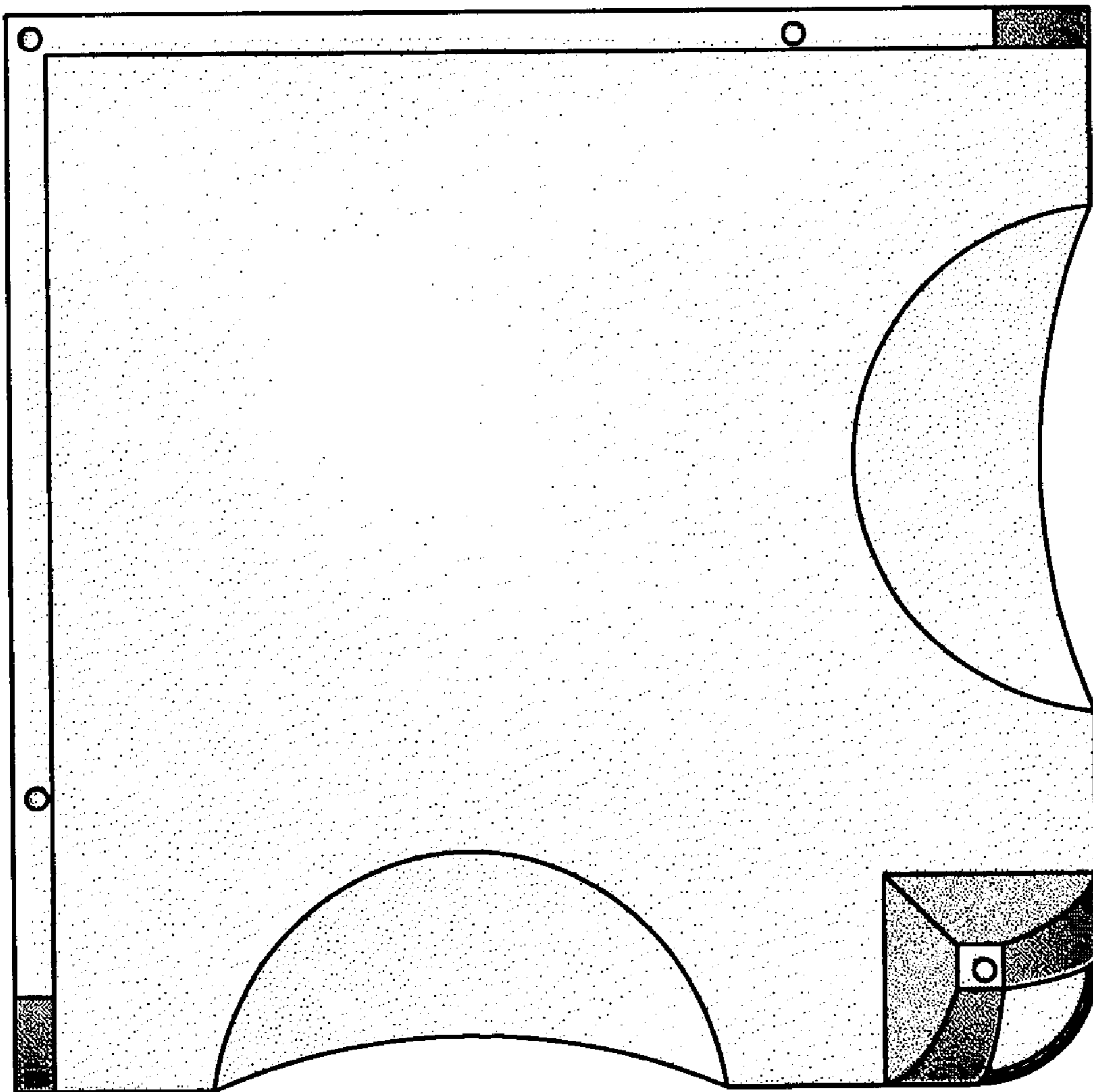
**FIG. 1**



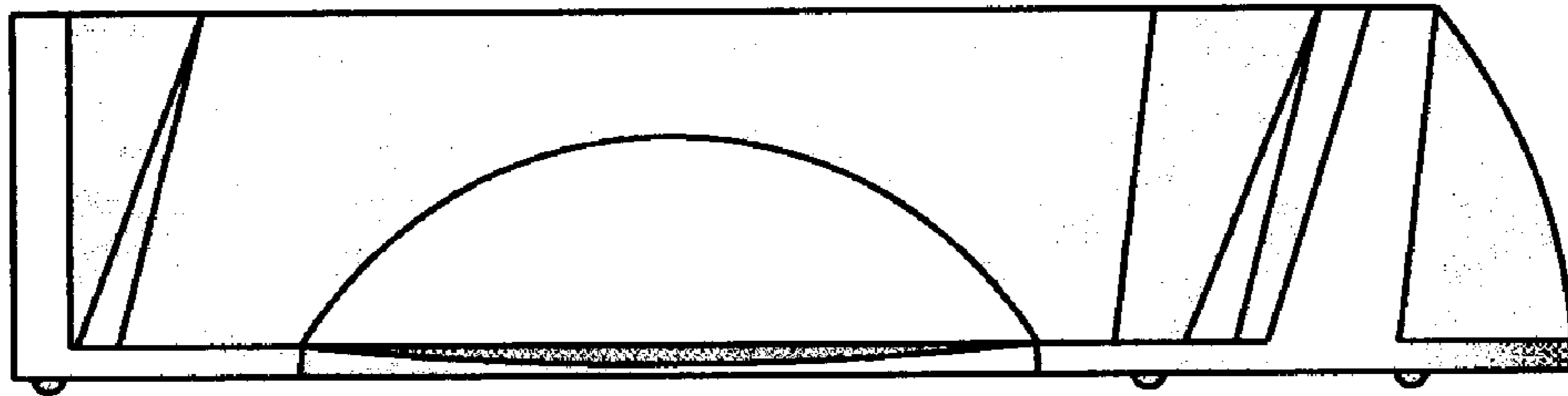
**FIG. 2**



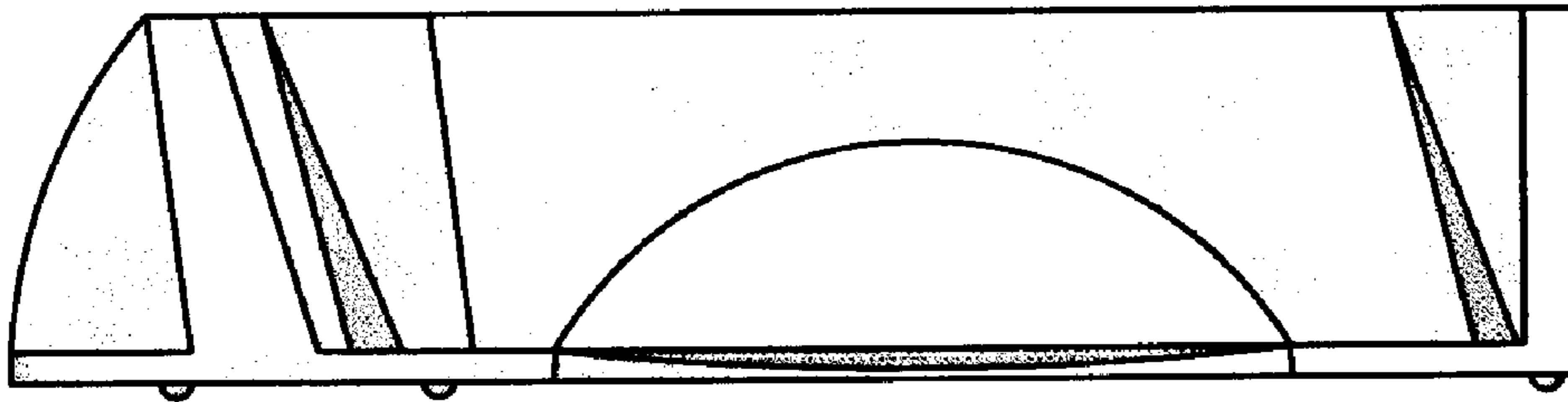
**FIG. 3**



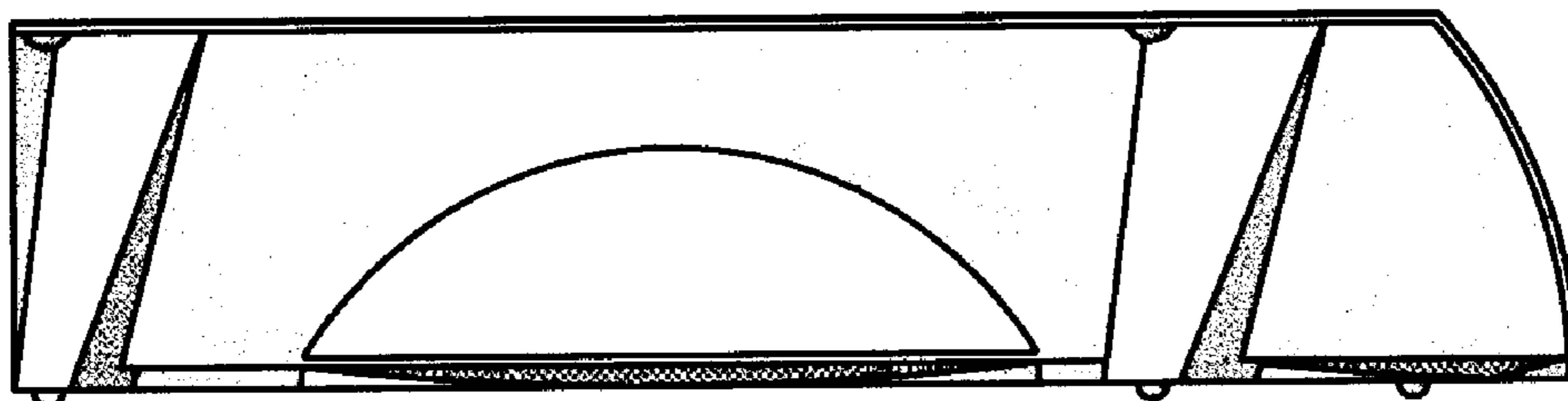
**FIG. 4**



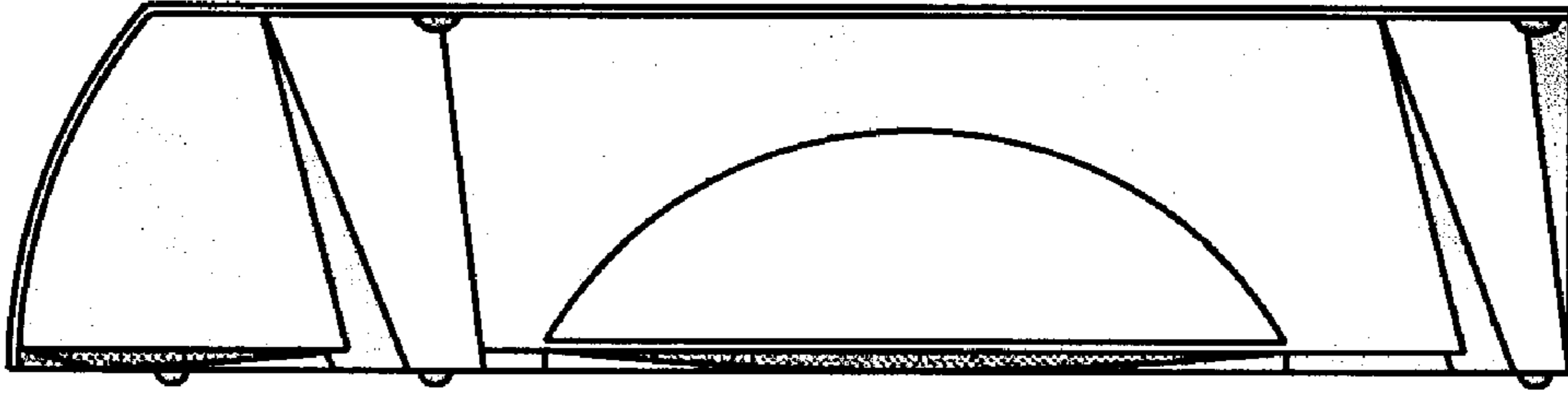
**FIG. 5**



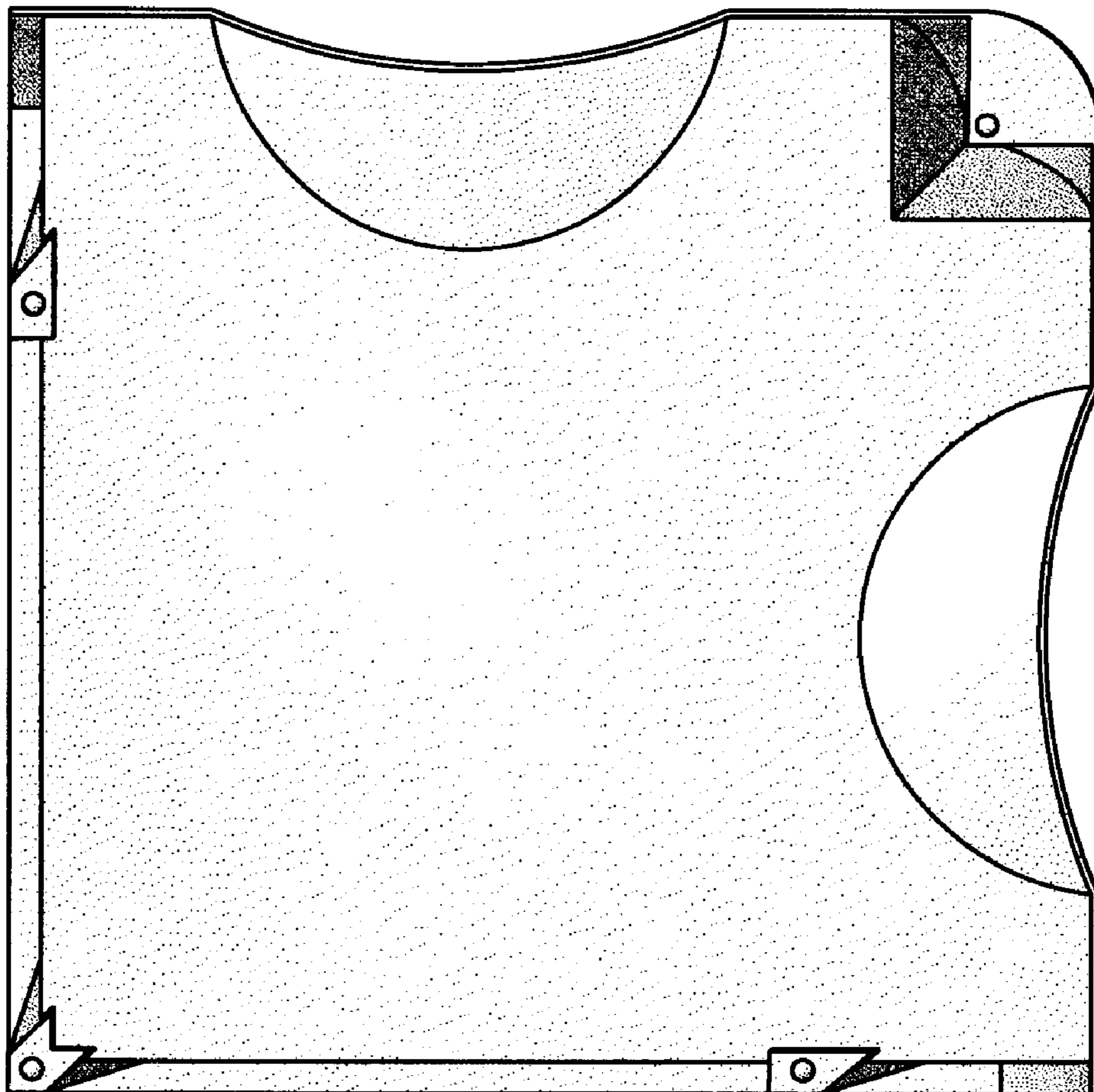
**FIG. 6**



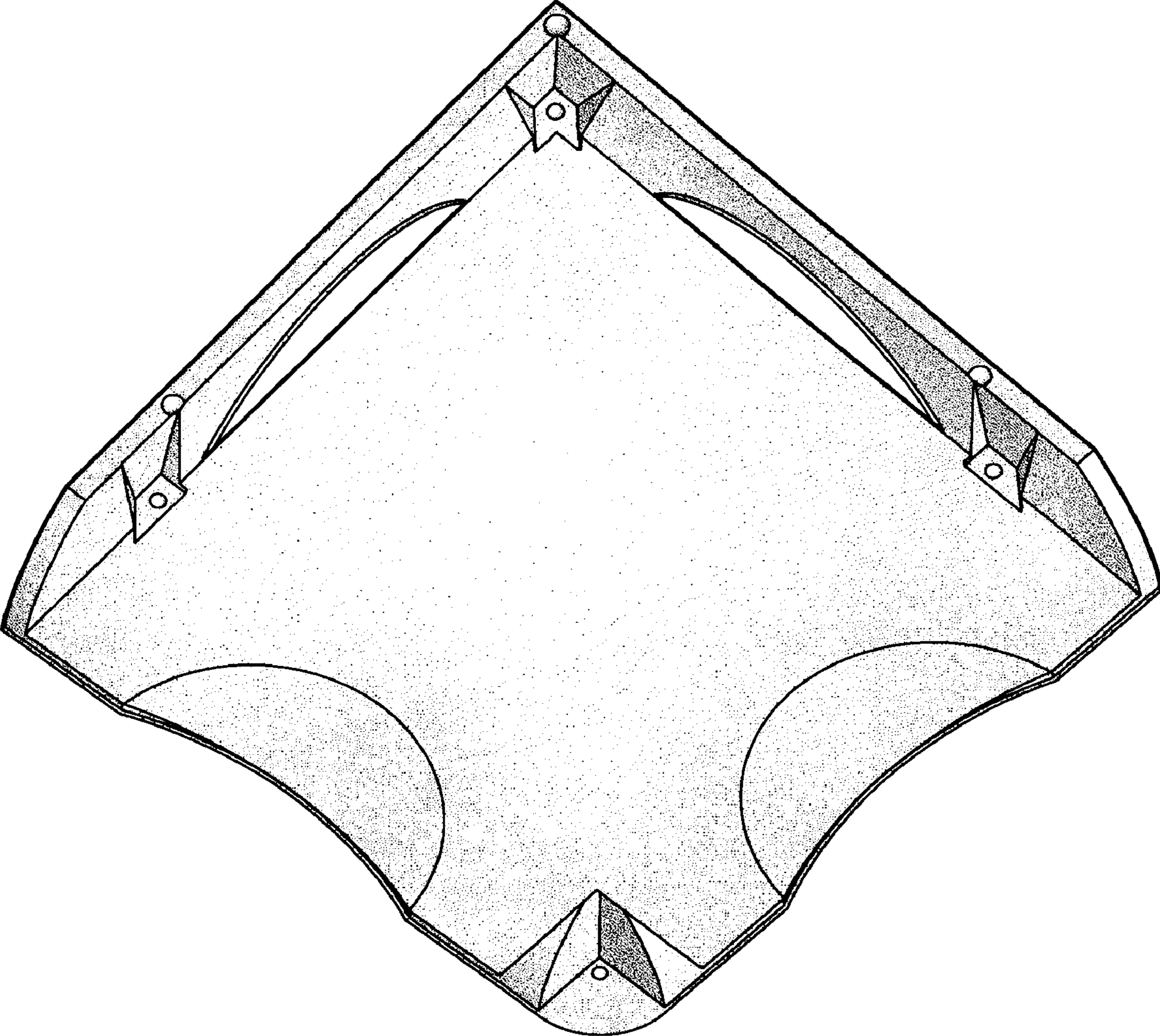
**FIG. 7**



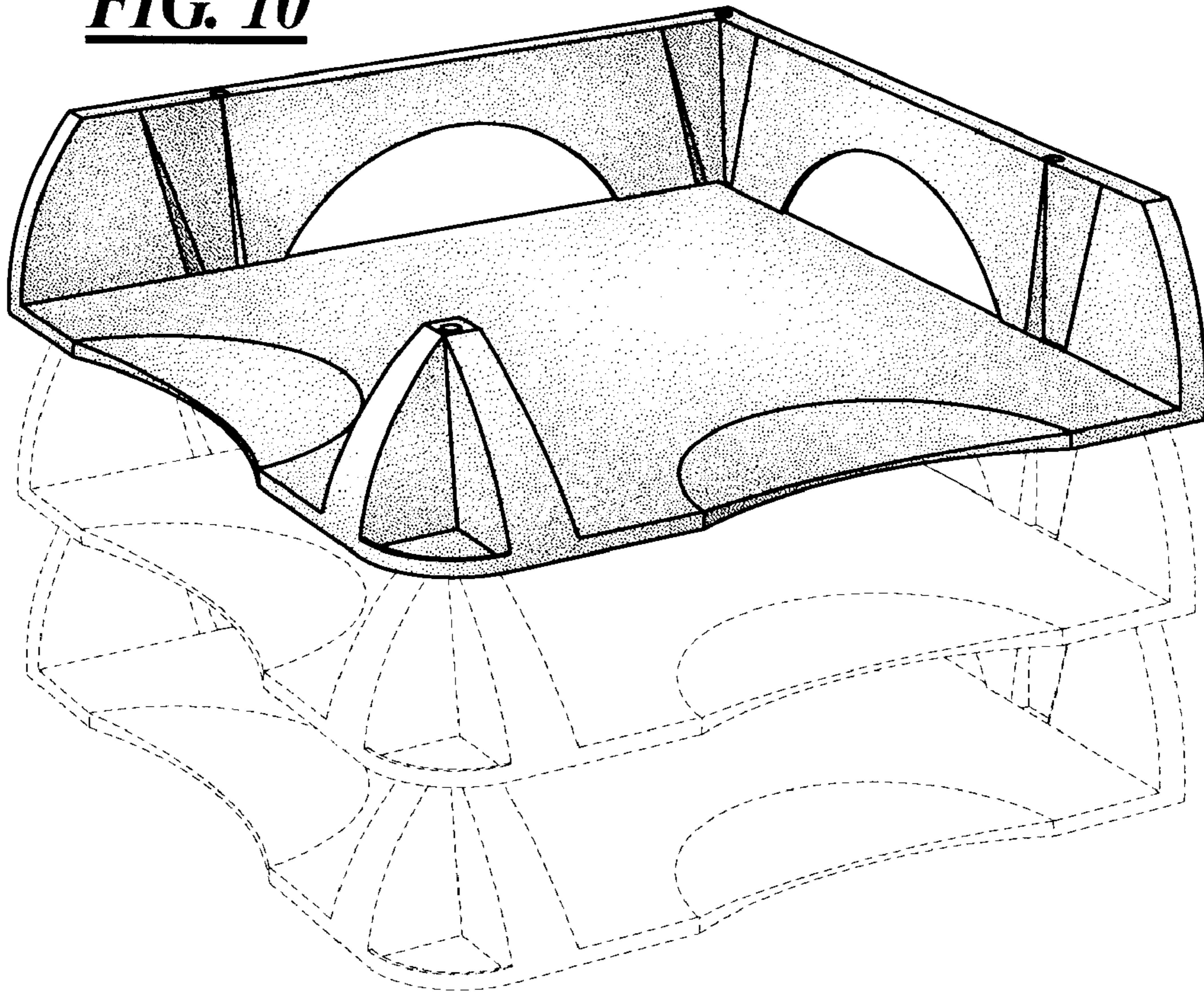
**FIG. 8**



**FIG. 9**



**FIG. 10**



**FIG. 11**

