

US00D504702S

(12) **United States Design Patent**  
**Stravitz**

(10) **Patent No.:** **US D504,702 S**

(45) **Date of Patent:** **\*\* May 3, 2005**

(54) **BROWSER/SORTER**

U.S. Appl. No. 29/205,947, filed May 20, 2004; Browser/Sorter With Pivotal Dividers; Inventor: David M. Stravitz.

(76) Inventor: **David M. Stravitz**, 16 Park Ave. - Suite 14A, New York, NY (US) 10016

\* cited by examiner

(\*\*) Term: **14 Years**

*Primary Examiner*—Martie K. Holtje  
(74) *Attorney, Agent, or Firm*—Frishauf, Holtz, Goodman & Chick, P.C.

(21) Appl. No.: **29/213,842**

(22) Filed: **Sep. 23, 2004**

(51) **LOC (7) Cl.** ..... **19-02**

(57) **CLAIM**

(52) **U.S. Cl.** ..... **D19/90; D6/629**

The ornamental design for a browser/sorter, as shown and described.

(58) **Field of Search** ..... D6/407, 627-630; D19/35, 36, 65, 75, 78, 86, 90, 91, 92, 95, 99, 100; 211/10, 11, 13.1, 42.1, 45, 50, 51, 55, 52, 87.01, 41.12, 88.01, 126.1, 126.13; 312/183, 184, 290; 206/425; 220/529

**DESCRIPTION**

(56) **References Cited**

**U.S. PATENT DOCUMENTS**

750,350 A	1/1904	Denson	
807,084 A	* 12/1905	Muller	211/11
807,804 A	12/1905	Muller	
1,119,925 A	* 12/1914	Chatham	211/11
1,764,128 A	* 6/1930	Straubel	211/11
D148,076 S	* 12/1947	Keesing, Jr.	D19/76
3,358,692 A	* 12/1967	Proulx	220/529
D231,137 S	4/1974	Jhulin	
4,512,480 A	* 4/1985	Evenson	211/11
4,629,067 A	* 12/1986	Pavlik et al.	206/425
5,215,198 A	* 6/1993	Sutton	206/425
D353,158 S	* 12/1994	Evenson	D19/90
D388,121 S	* 12/1997	Gomez	D19/90
D432,578 S	* 10/2000	Stravitz	D19/91
D440,809 S	* 4/2001	Hunt	D6/629
6,227,384 B1	* 5/2001	Saylor et al.	211/50

FIG. 1 is a top, front, left side perspective view of a browser/sorter showing my new design;

FIG. 2 is a top, rear, left side perspective view thereof;

FIG. 3 is a right side elevational view thereof, the left side elevational view being a mirror image;

FIG. 4 is a top plan view thereof, the bottom plan view being plain and unornamented;

FIG. 5 is a front elevational view thereof;

FIG. 6. is a rear elevational view thereof;

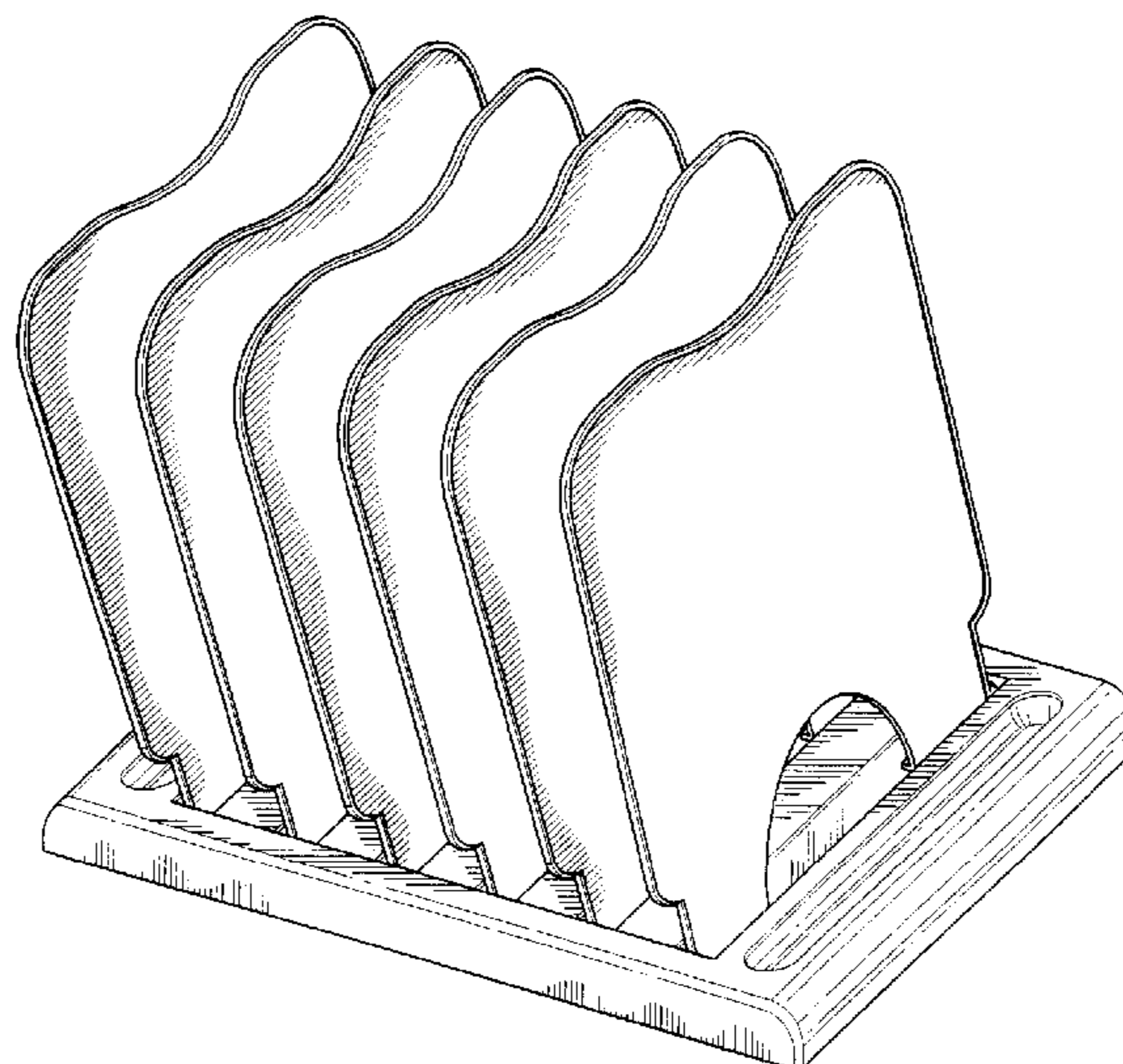
FIG. 7. is a top, front, left side perspective view of a modified embodiment thereof; and,

FIG. 8. is a top, rear, left side perspective view thereof, the right side elevational view being the same as shown in FIG. 3 and the left side elevational view being a mirror image thereof, the front elevational view being the same as shown in FIG. 5, and the rear elevational view being the same as shown in FIG. 6.

**OTHER PUBLICATIONS**

U.S. Appl. No. 10/705,205 filed Nov. 4, 2003; Browser/Sorter With Pivotal Dividers; Inventor: David M. Stravitz.  
U.S. Appl. No. 29/191,270, filed Oct. 3, 2002; Browser/Sorter With Pivotal Dividers; Inventor: David M. Stravitz.

**1 Claim, 4 Drawing Sheets**



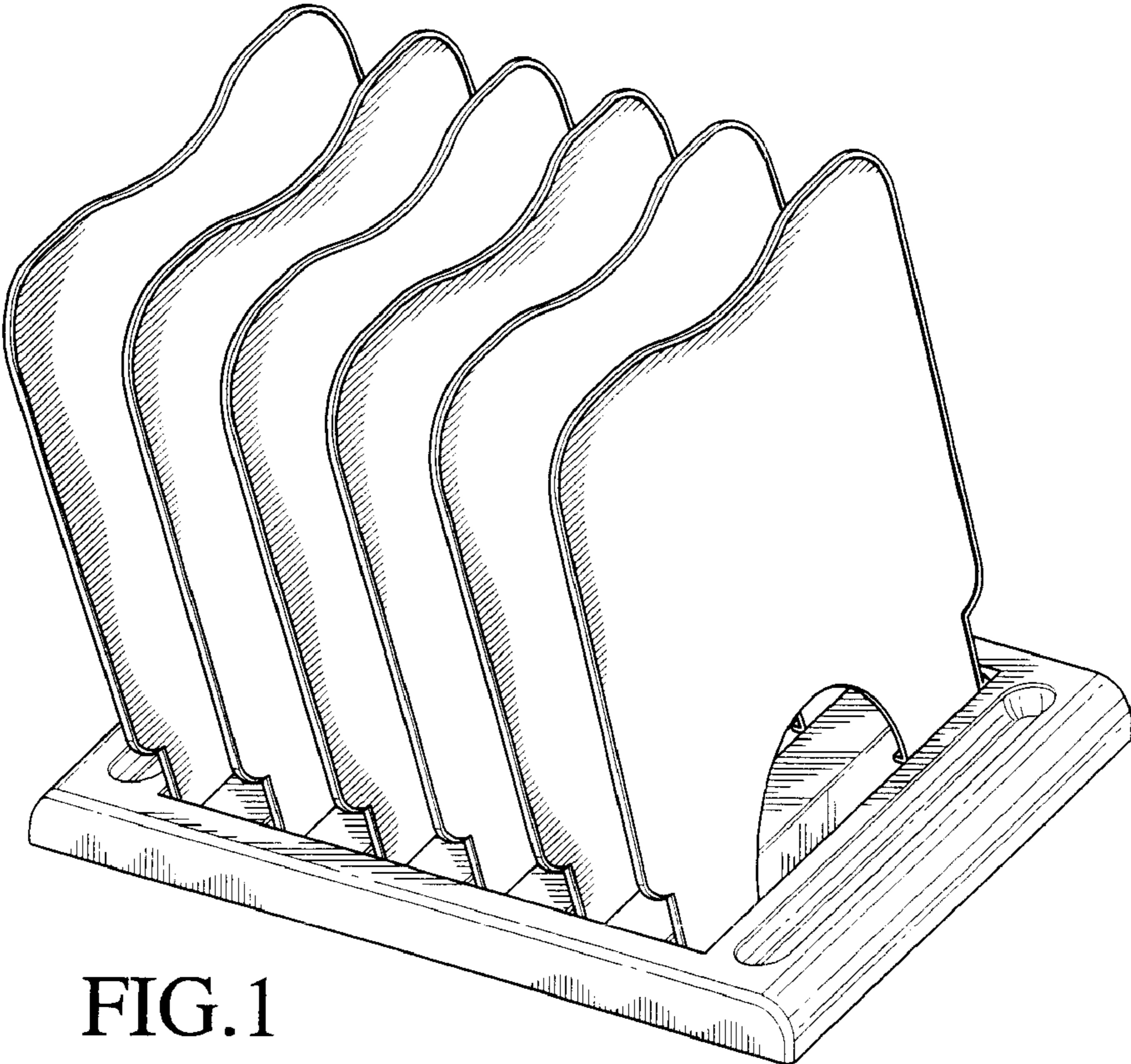


FIG. 1

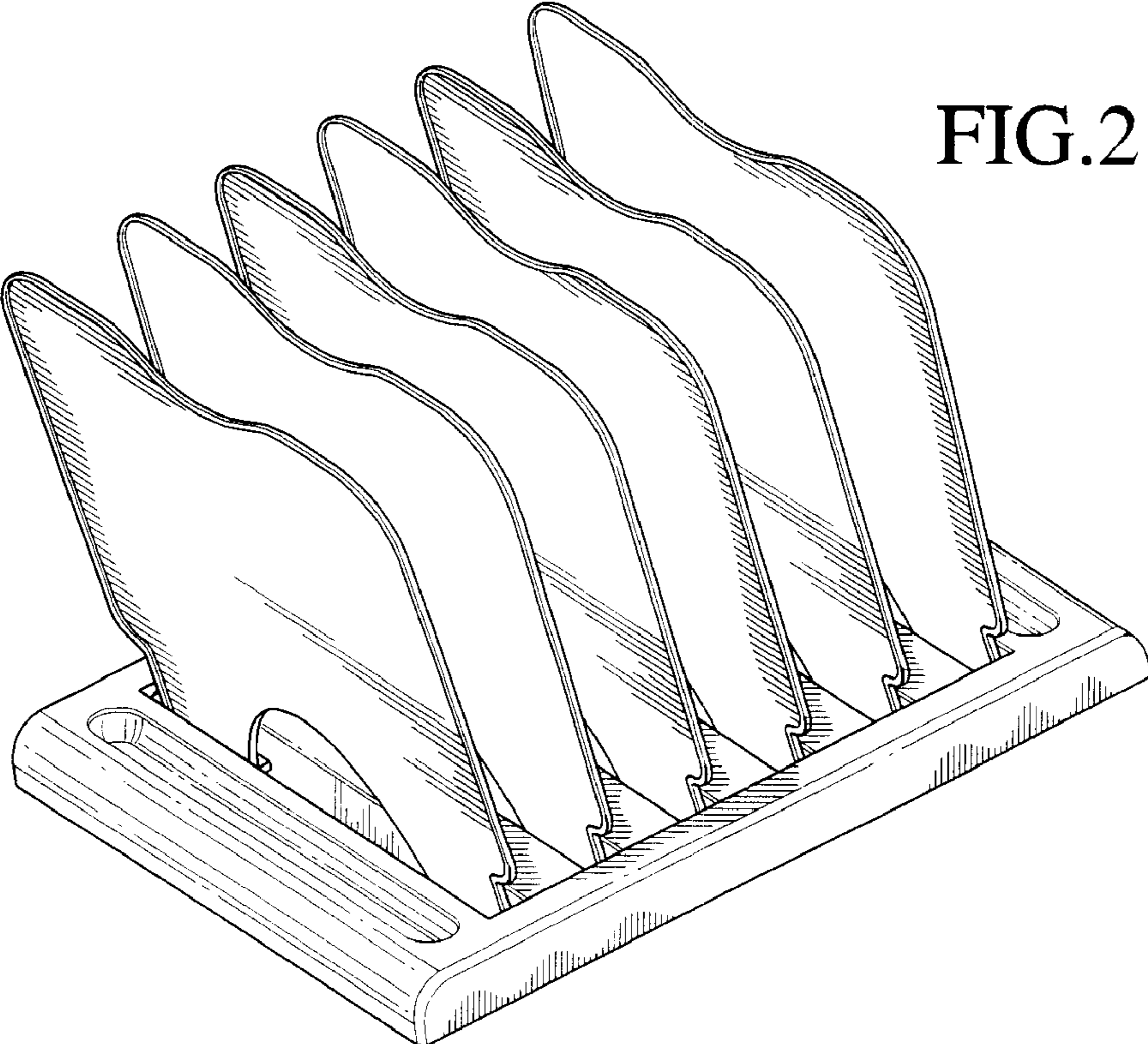


FIG. 2

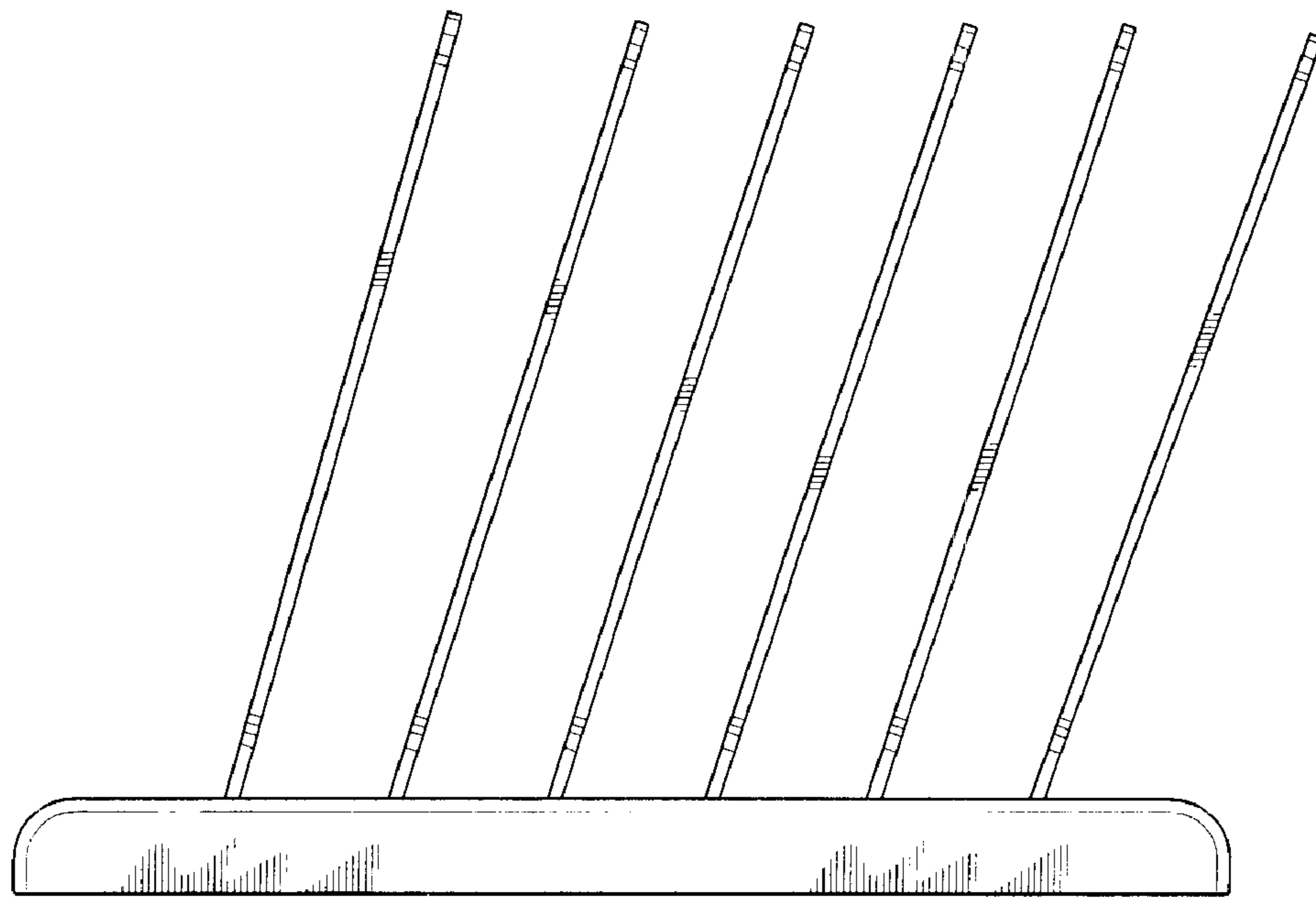


FIG. 3

FIG. 4

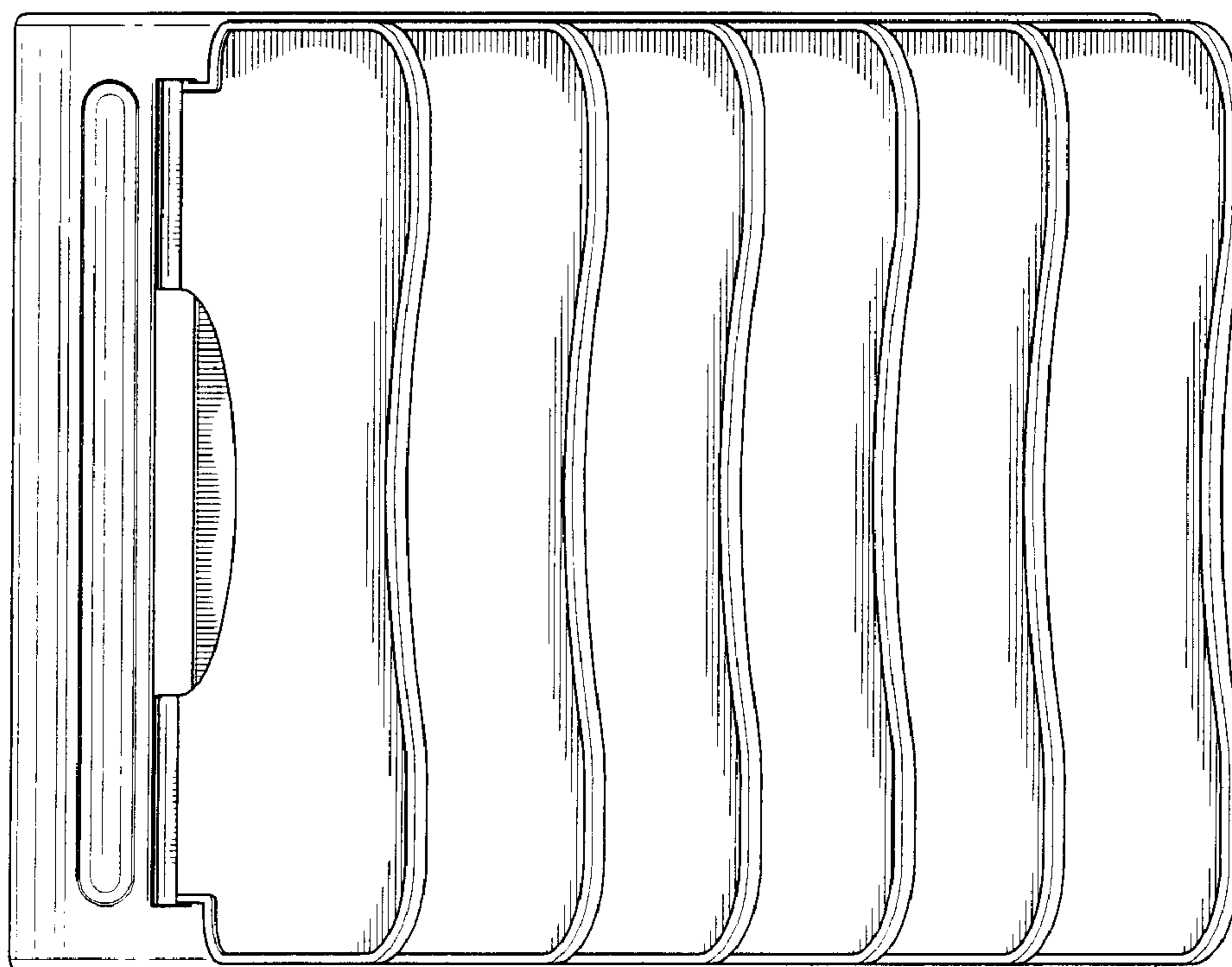


FIG.5

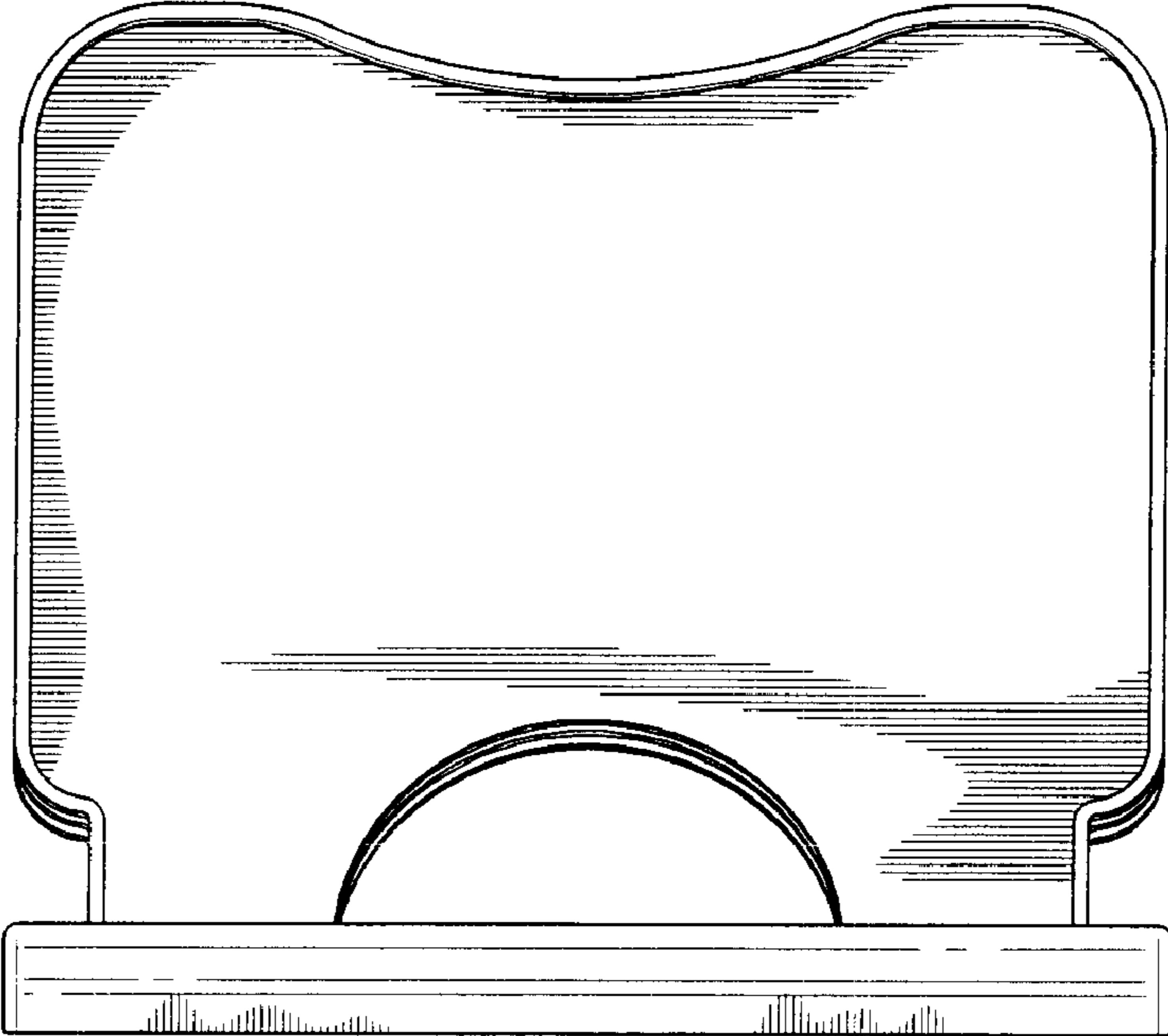
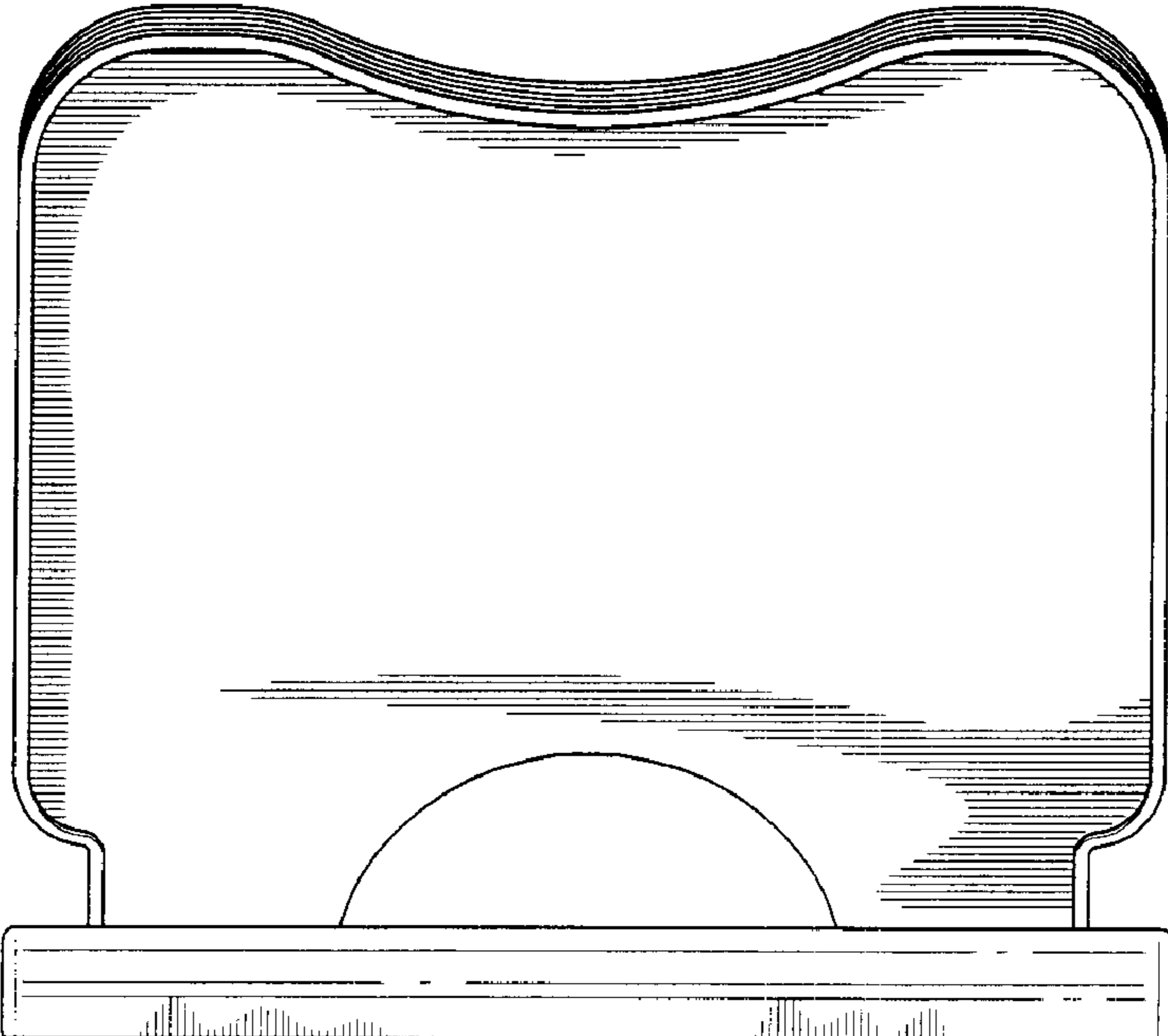


FIG.6



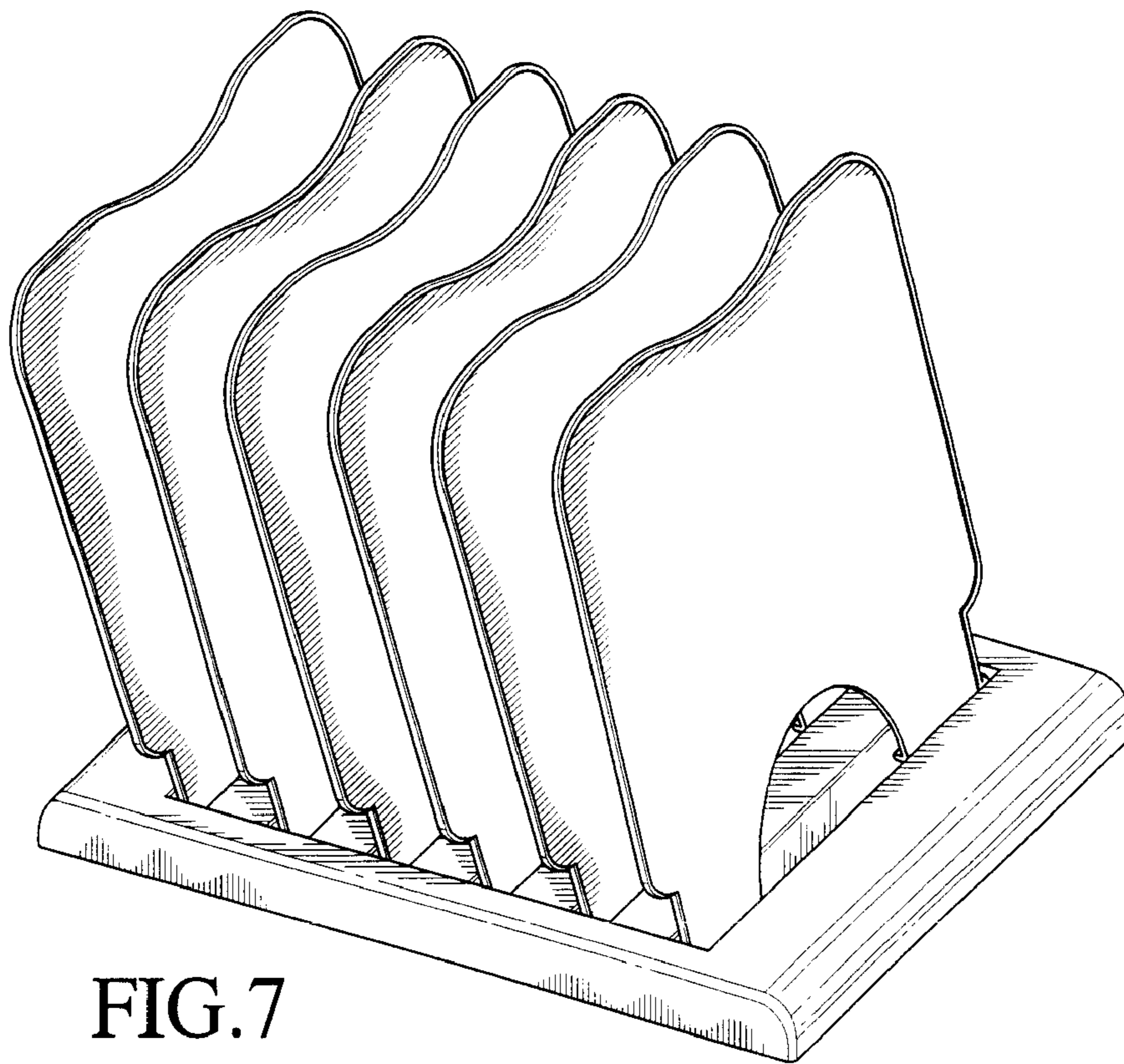


FIG. 7

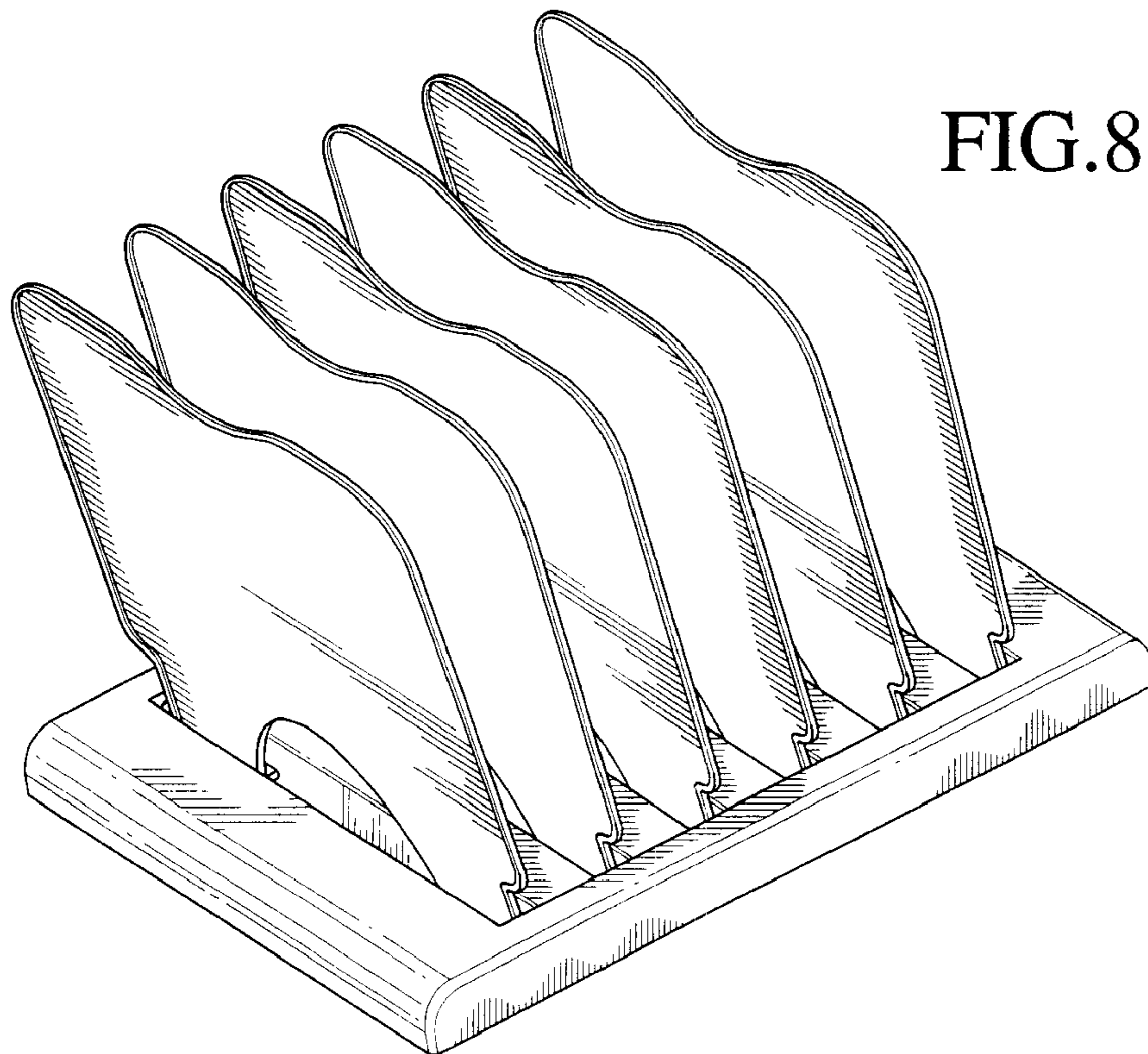


FIG. 8