

US00D504701S

(12) **United States Design Patent**  
**Chen et al.**

(10) **Patent No.: US D504,701 S**

(45) **Date of Patent: \*\* May 3, 2005**

(54) **BUSINESS CARD HOLDER**

(75) Inventors: **Peter Chen**, West Windsor, NJ (US);  
**Kevin Hui-Lien Lee**, East Brunswick,  
NJ (US); **Jungkun Lee**, Edison, NJ  
(US)

(73) Assignee: **Officemate International Corp.**,  
Edison, NJ (US)

(\*\*) Term: **14 Years**

(21) Appl. No.: **29/205,157**

(22) Filed: **May 10, 2004**

(51) **LOC (7) Cl.** ..... **19-02**

(52) **U.S. Cl.** ..... **D19/90; D19/75; D6/553**

(58) **Field of Search** ..... D19/35, 36, 75,  
D19/65, 78, 86, 90, 91, 99, 100; D6/553,  
449, 567, 573; 211/10, 11, 13.1, 42, 45,  
46, 50, 87.01, 88.01, 126.13, 126.16; 206/449,  
555; 312/195

(56) **References Cited**

**U.S. PATENT DOCUMENTS**

D205,123 S \* 6/1966 Giesecke ..... D6/311  
D250,982 S \* 2/1979 Gilman ..... D6/475  
D263,934 S \* 4/1982 Fuerneisen ..... D10/2  
4,974,913 A \* 12/1990 Vogt et al. .... 312/195

D348,485 S \* 7/1994 Short ..... D19/90  
D387,384 S \* 12/1997 Meyer ..... D19/90  
D392,680 S \* 3/1998 Shaefer ..... D19/90  
D397,360 S \* 8/1998 Cheris et al. .... D19/75  
D444,816 S \* 7/2001 Stravitz ..... D19/90  
D477,364 S \* 7/2003 Tsai ..... D19/65  
D485,307 S \* 1/2004 Sheldon et al. .... D19/90

\* cited by examiner

*Primary Examiner*—Martie K. Holtje

(74) *Attorney, Agent, or Firm*—Daniel Kirshner, Esq.

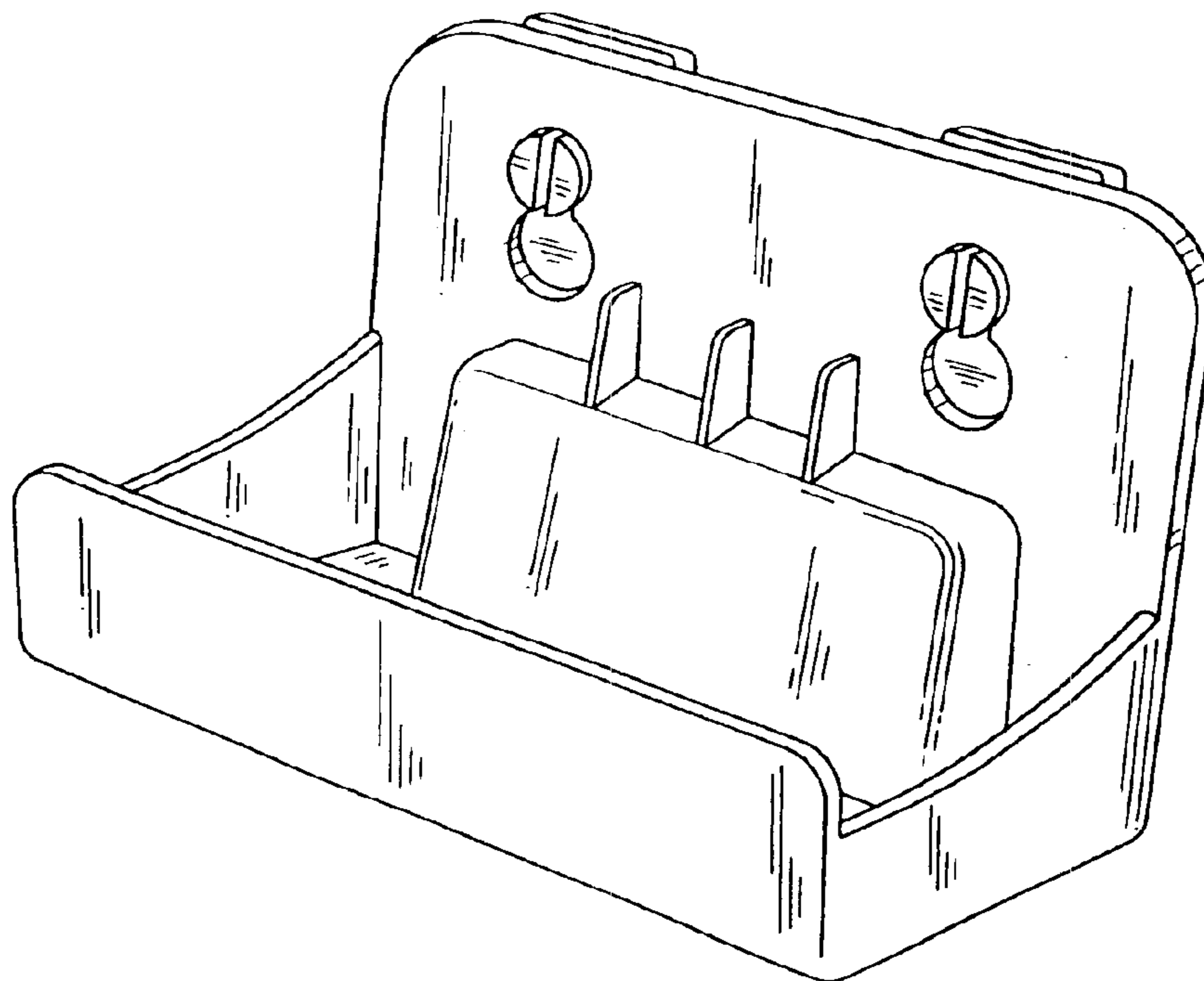
(57) **CLAIM**

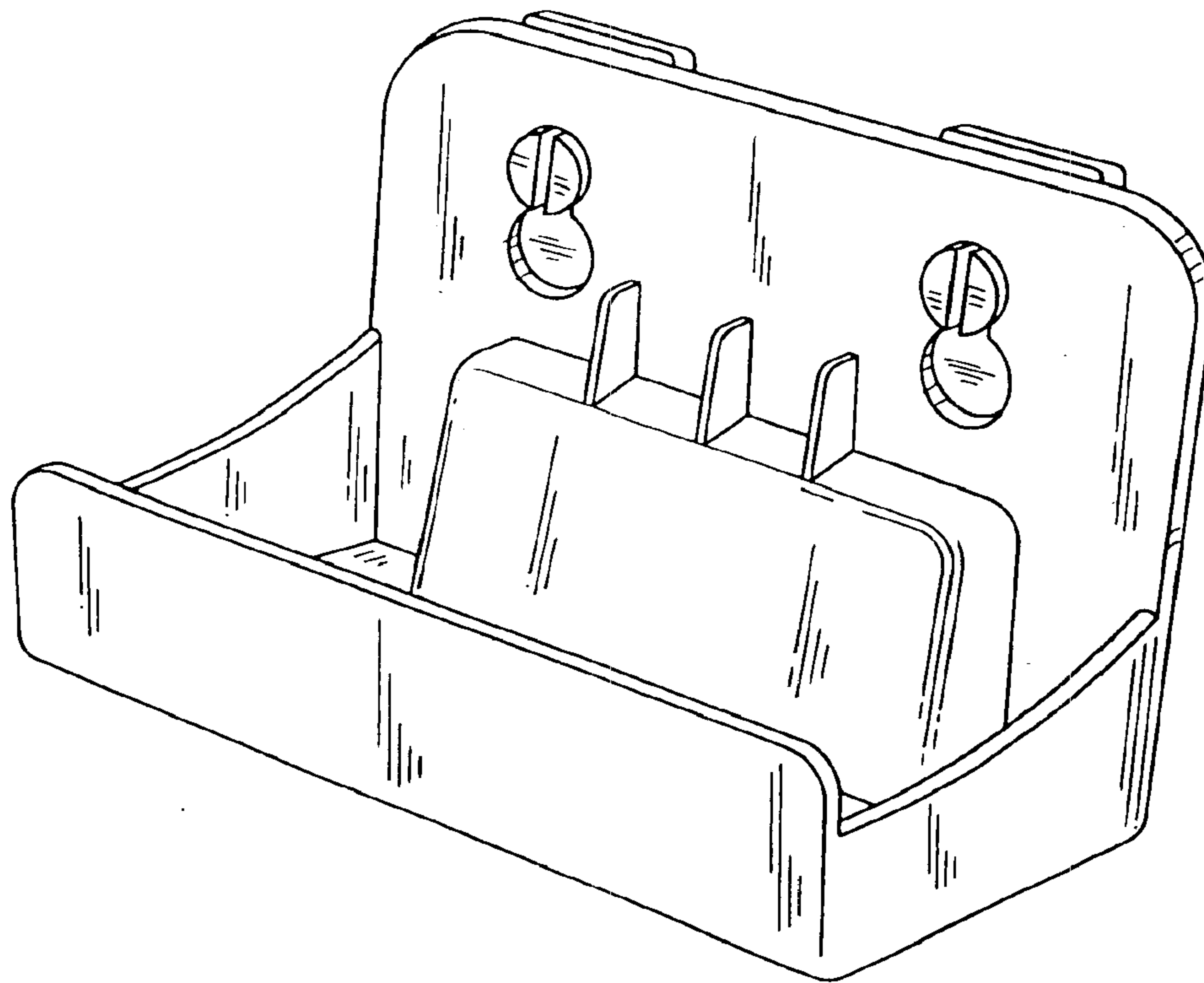
The ornamental design for a business card holder, as shown and described.

**DESCRIPTION**

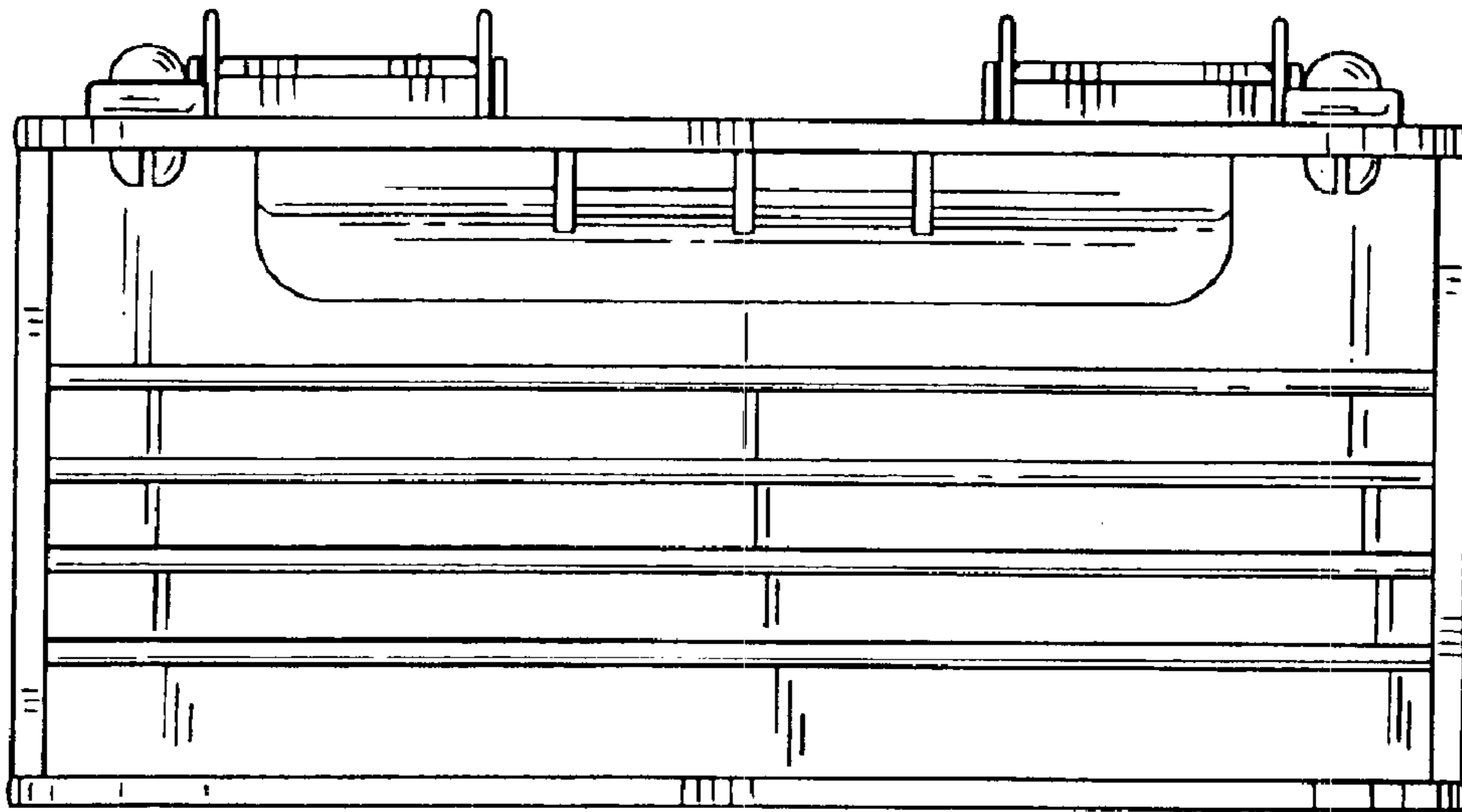
FIG. 1 is a front perspective view of a business card holder showing my new design;  
FIG. 2 is a top plan view thereof;  
FIG. 3 is a rear elevational view thereof;  
FIG. 4 is left side elevational view thereof;  
FIG. 5 is a right side elevational view thereof;  
FIG. 6 is a front elevational view thereof;  
FIG. 7 is a back elevational view thereof; and,  
FIG. 8 is a front perspective view thereof in an exploded condition.

**1 Claim, 5 Drawing Sheets**

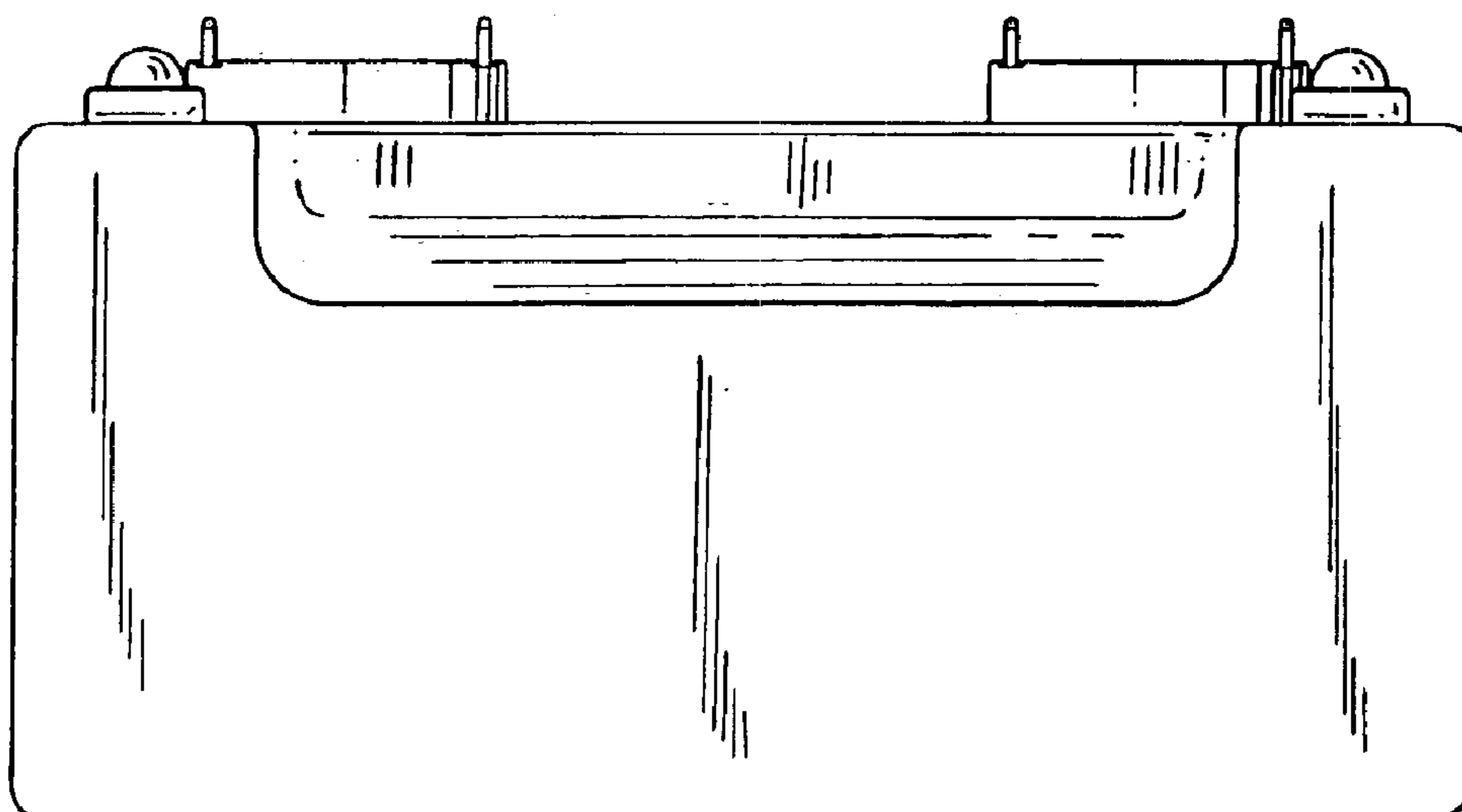




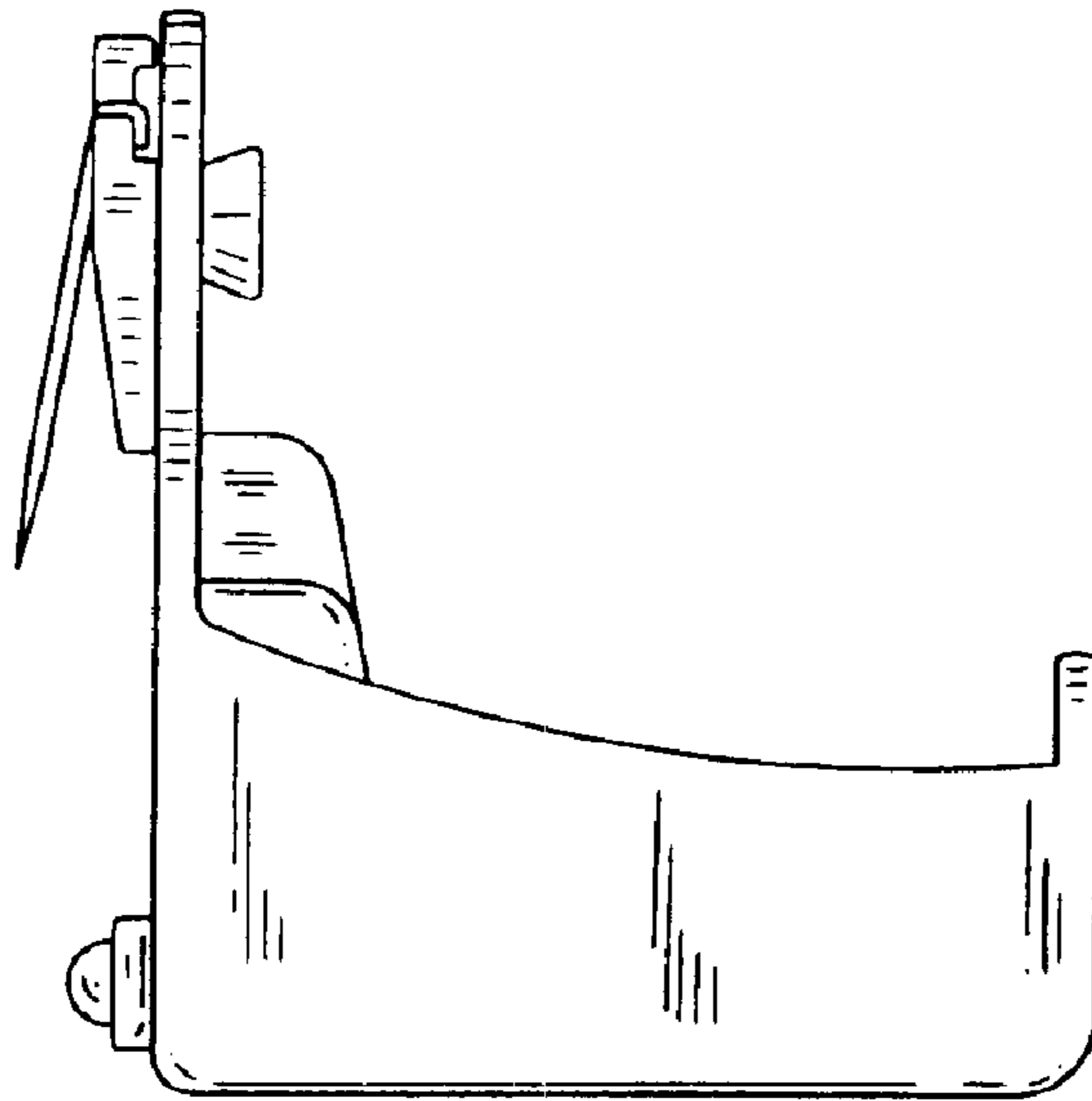
*FIG. 1*



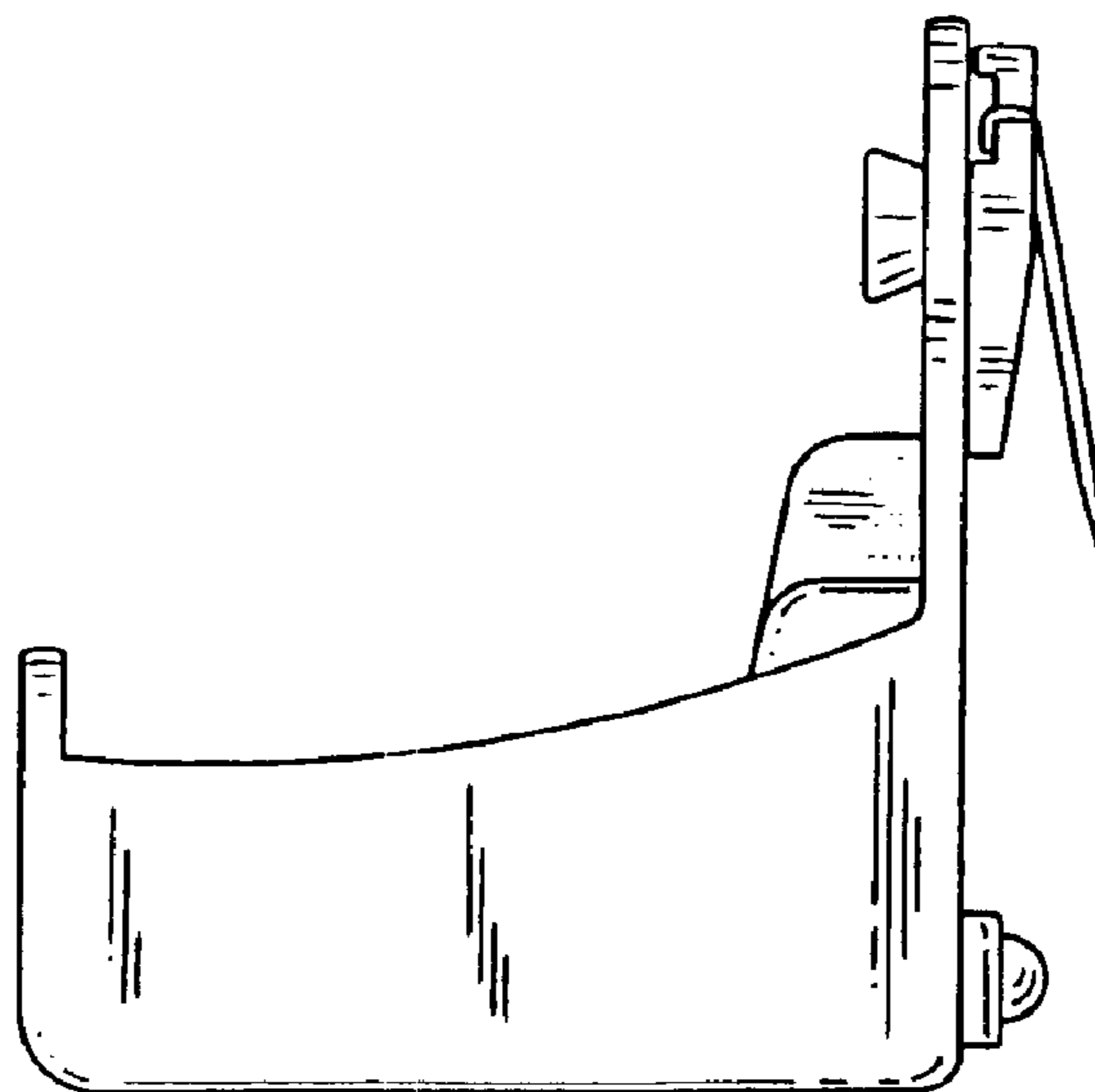
*FIG. 2*



*FIG. 3*



*FIG. 4*



*FIG. 5*

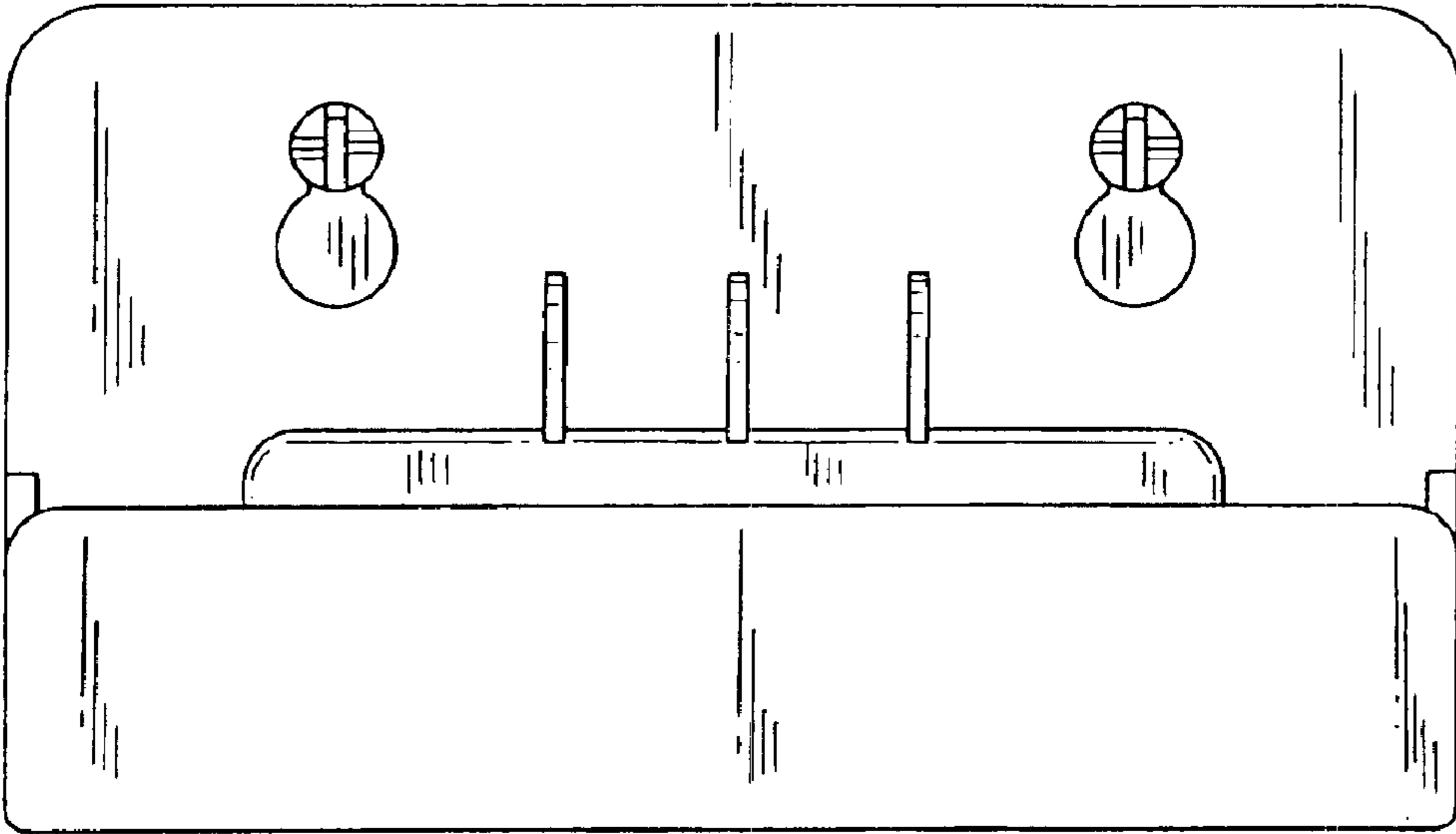


FIG. 6

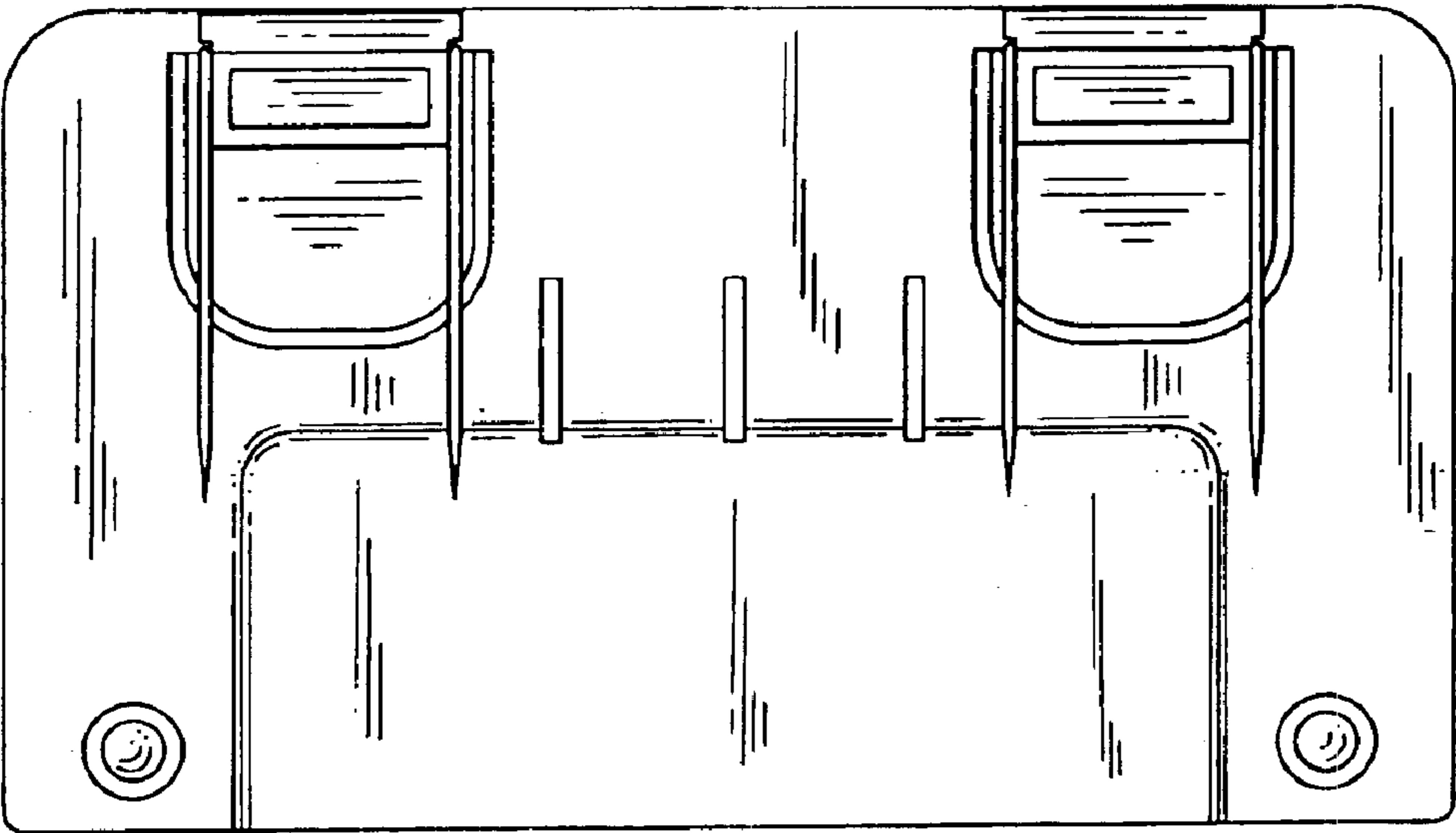


FIG. 7

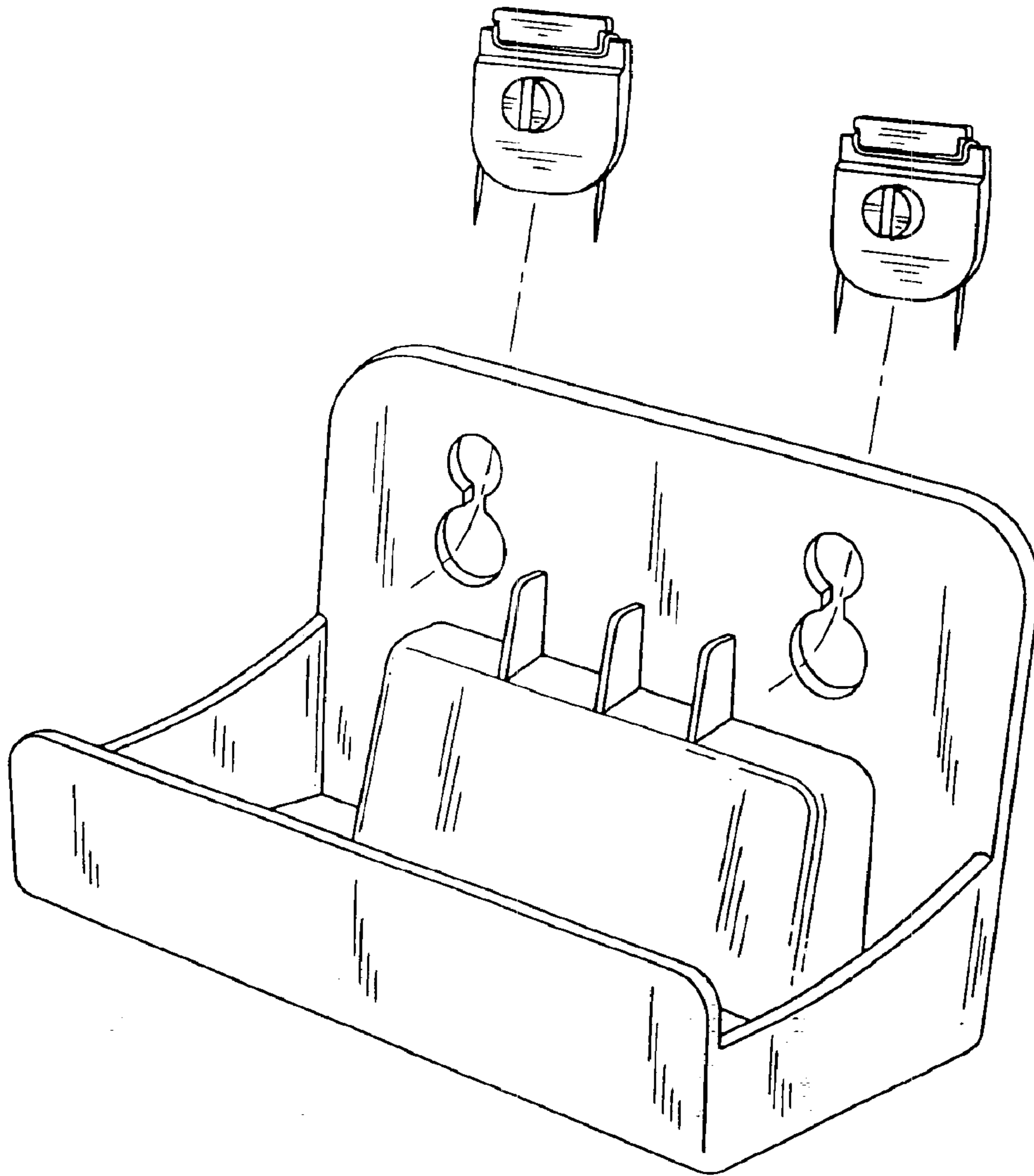


FIG. 8