

US00D504700S

(12) **United States Design Patent**
Chuang

(10) **Patent No.: US D504,700 S**

(45) **Date of Patent: ** May 3, 2005**

(54) **PEN CAP**

(76) Inventor: **Cheng-Hua Chuang**, 4th Floor, No.
139, Sung Chiang Road, Taipei (TW)

(**) Term: **14 Years**

(21) Appl. No.: **29/210,599**

(22) Filed: **Aug. 4, 2004**

(51) **LOC (7) Cl.** **19-06**

(52) **U.S. Cl.** **D19/57; D19/43**

(58) **Field of Search** D19/35, 36, 41-51,
D19/53-57, 58, 81-85; 401/98, 202, 213,
243, 244, 245, 246, 247, 262

(56) **References Cited**

U.S. PATENT DOCUMENTS

D310,684 S	*	9/1990	Itoh	D19/57
D341,623 S	*	11/1993	Chuang	D19/36
D351,417 S	*	10/1994	Oka	D19/57
D387,803 S	*	12/1997	Izushima	D19/57
D402,312 S	*	12/1998	Chevalier et al.	D19/57
D403,704 S	*	1/1999	Arita	D19/48
D436,997 S	*	1/2001	Chuang	D19/57
D484,539 S	*	12/2003	Bodino	D19/54
D484,540 S	*	12/2003	Bodino	D19/57

* cited by examiner

Primary Examiner—Martie K. Holtje

(74) *Attorney, Agent, or Firm*—Bacon & Thomas PLLC

(57) **CLAIM**

The ornamental design for a pen cap, as shown and described.

DESCRIPTION

FIG. 1 is a perspective view of a pen cap, showing my new design;

FIG. 2 is a front elevational view thereof;

FIG. 3 is a rear elevational view thereof;

FIG. 4 is a left side elevational view thereof;

FIG. 5 is a right side elevational view thereof;

FIG. 6 is a top plan view thereof;

FIG. 7 is a bottom plan view thereof;

FIG. 8 is a perspective view thereof with the dome top portion shown removed in an exploded condition;

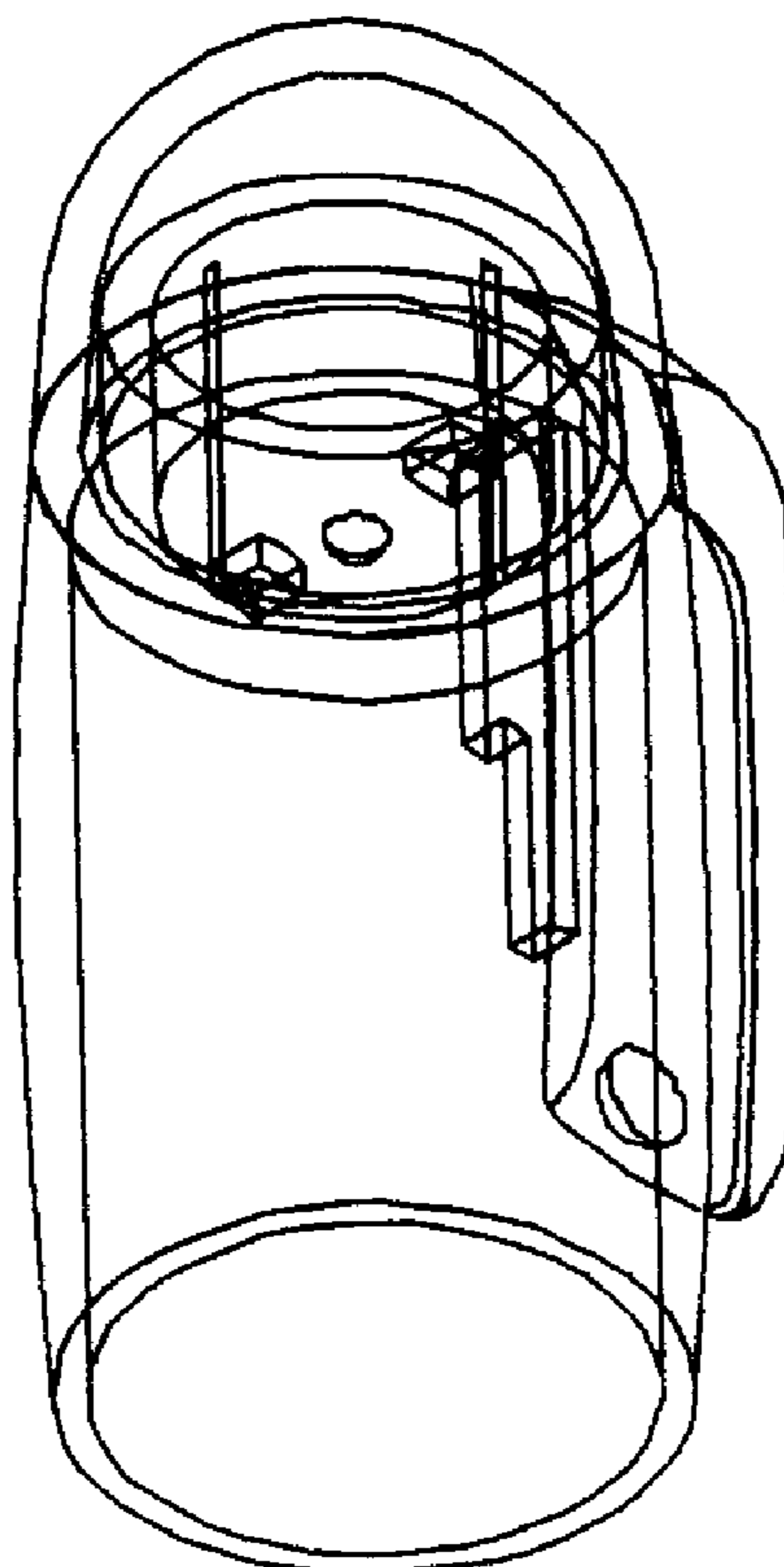
FIG. 9 is a front elevational view of FIG. 8;

FIG. 10 is a rear elevational view of FIG. 8;

FIG. 11 is a left side elevational view of FIG. 8; and,

FIG. 12 is a right side elevational view of FIG. 8.

1 Claim, 4 Drawing Sheets



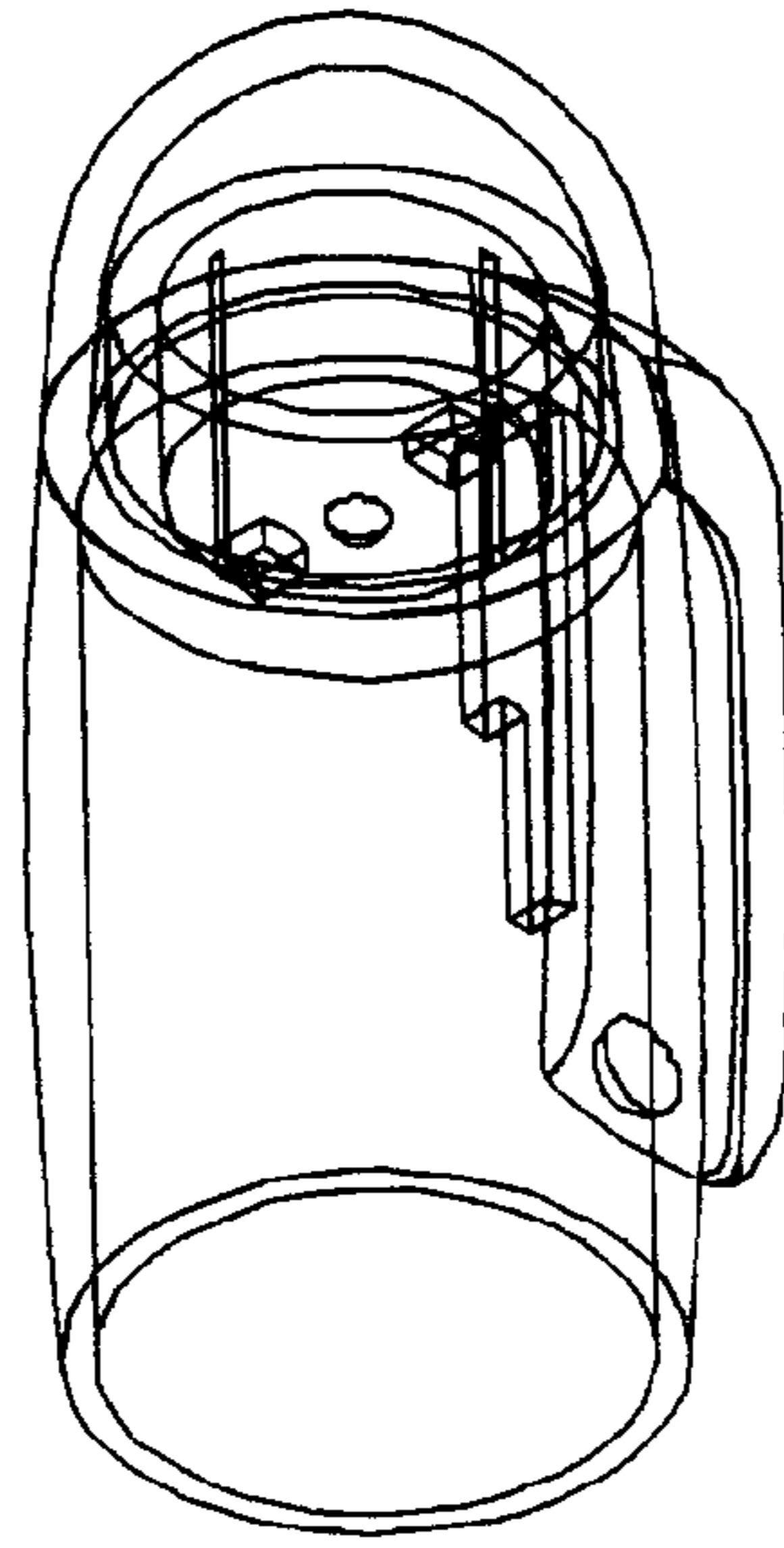


FIG. 1

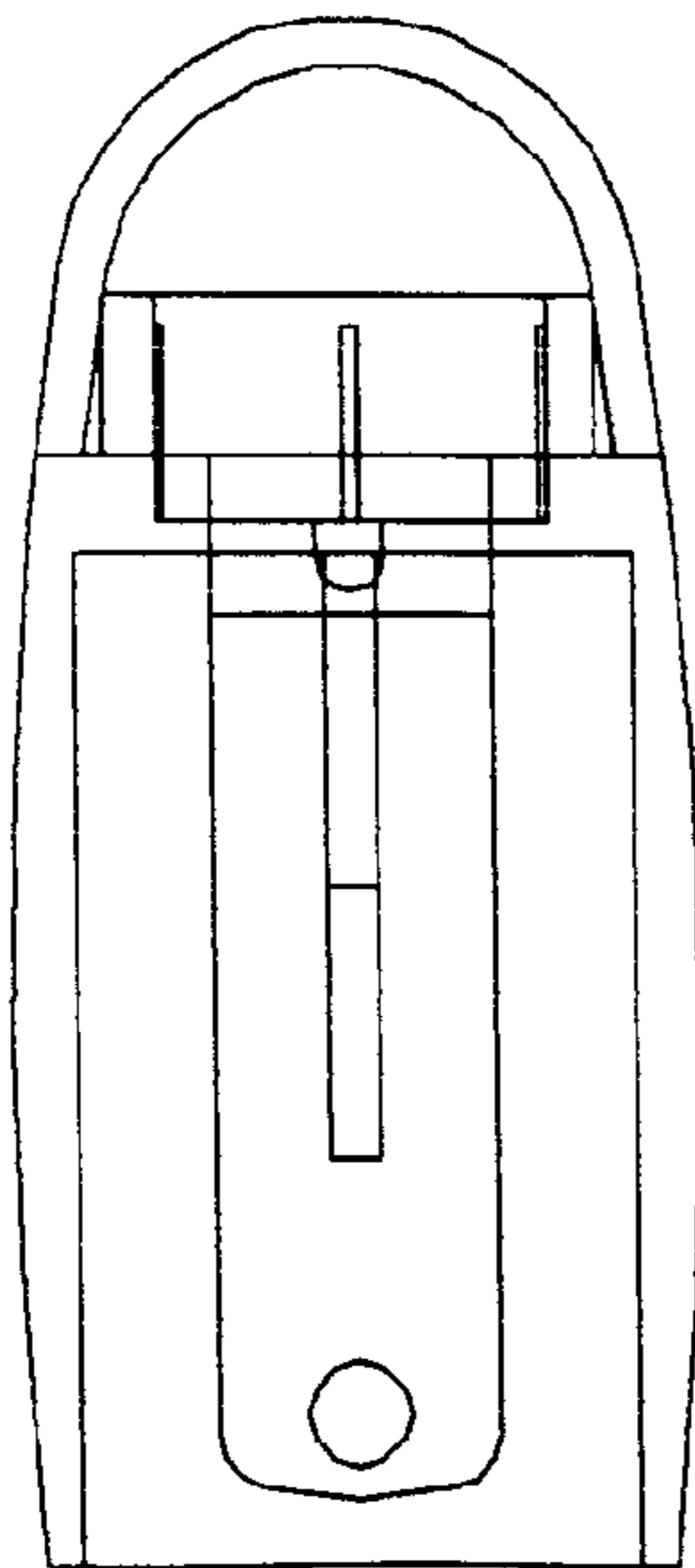


FIG. 2

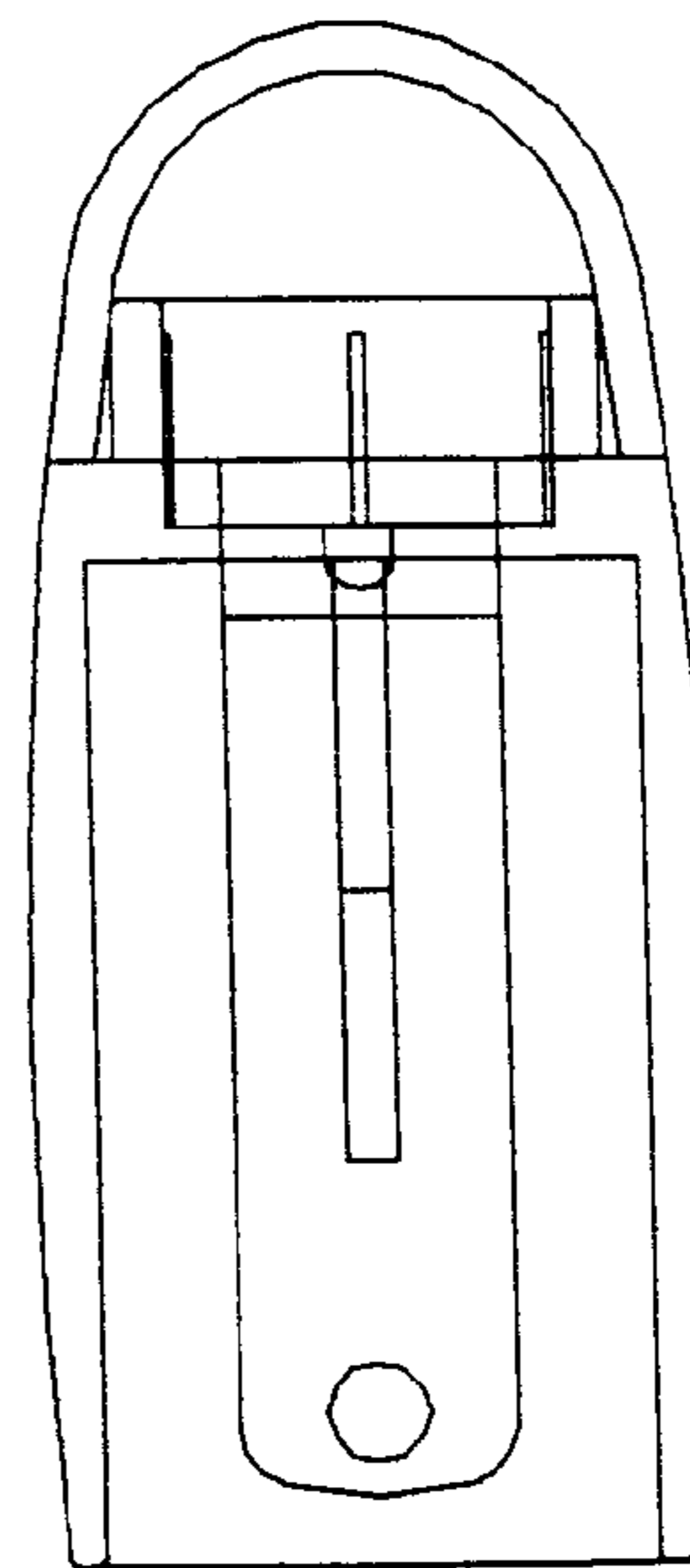


FIG. 3

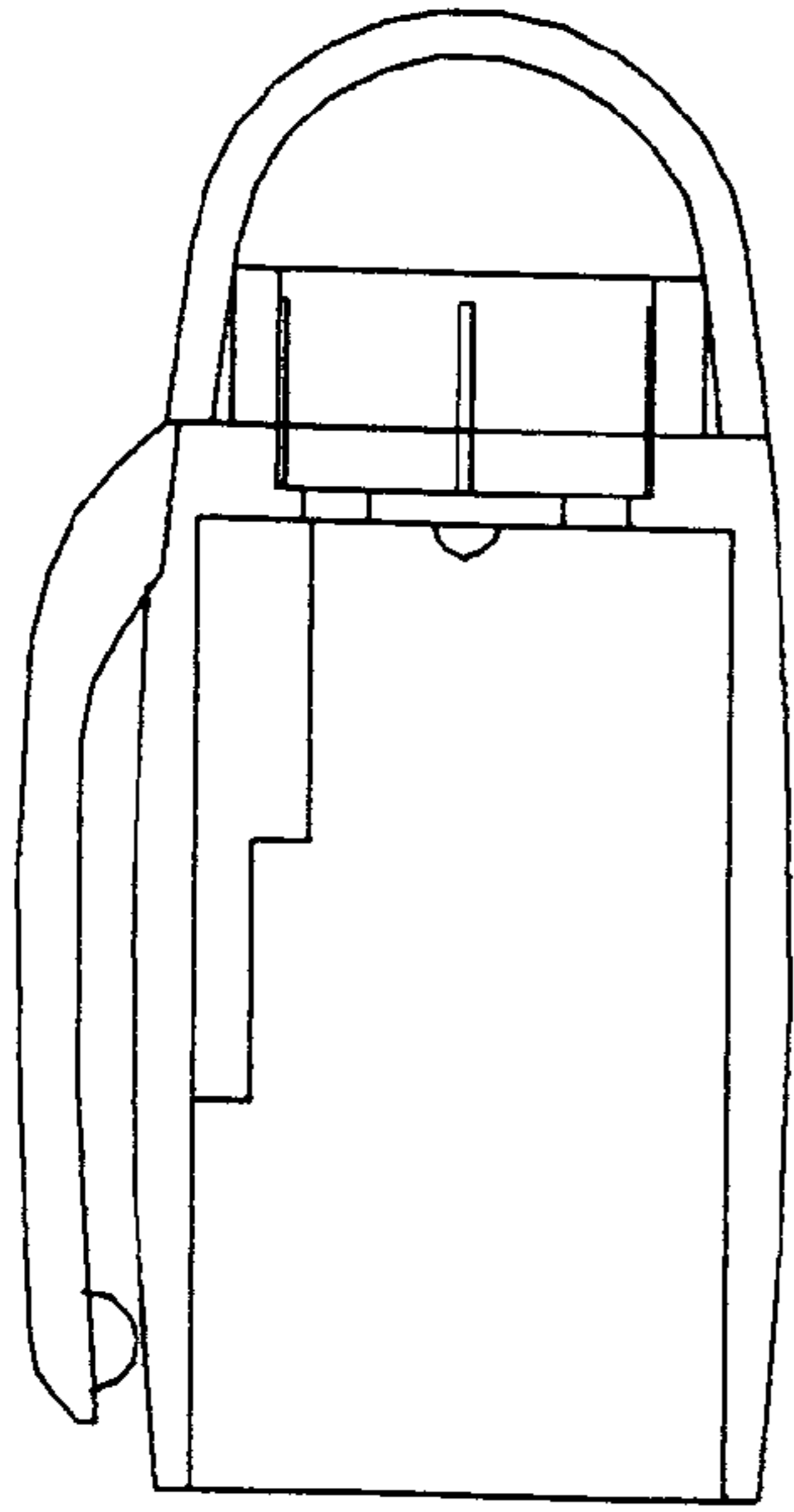


FIG. 4

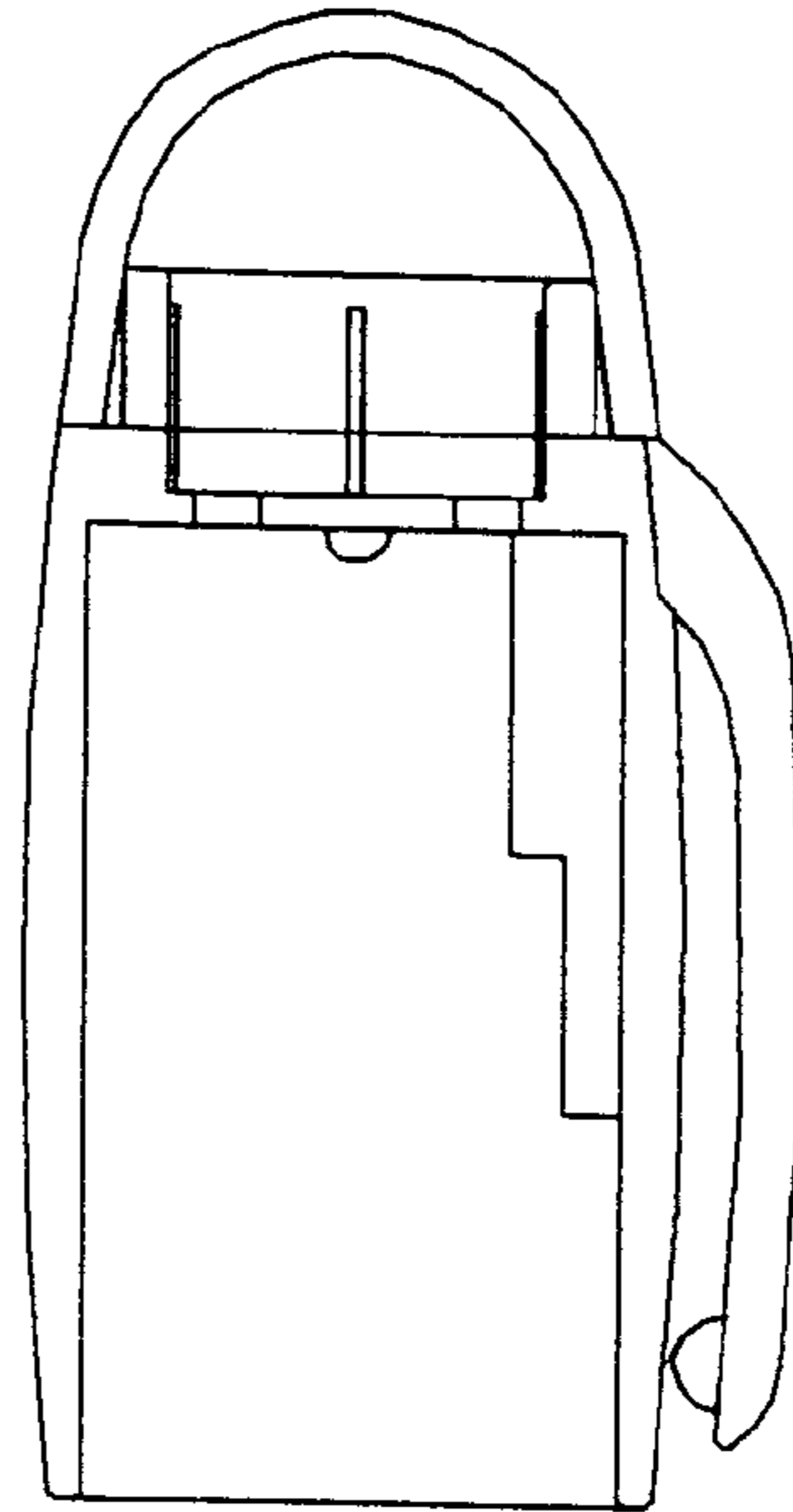


FIG. 5

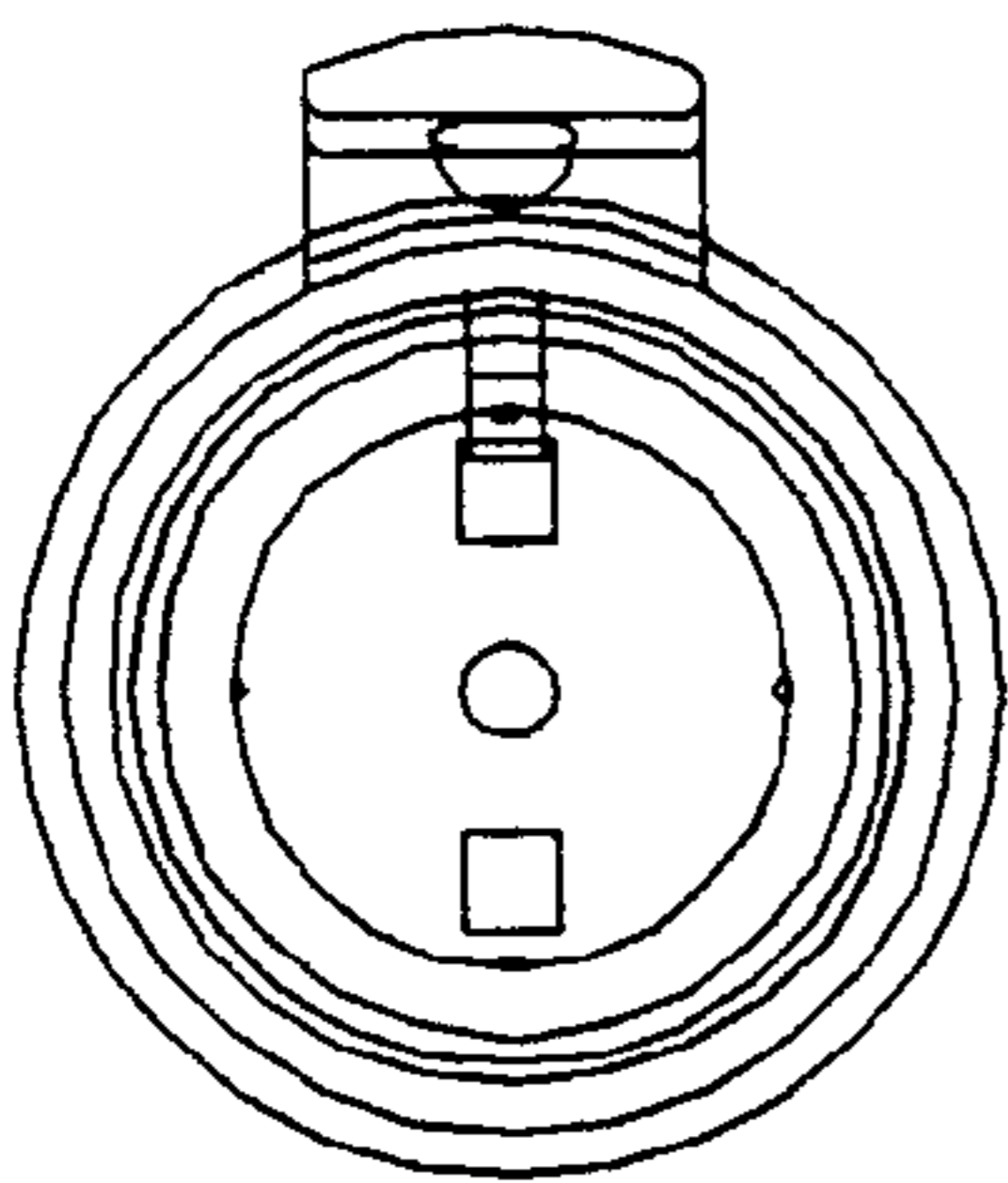


FIG. 6

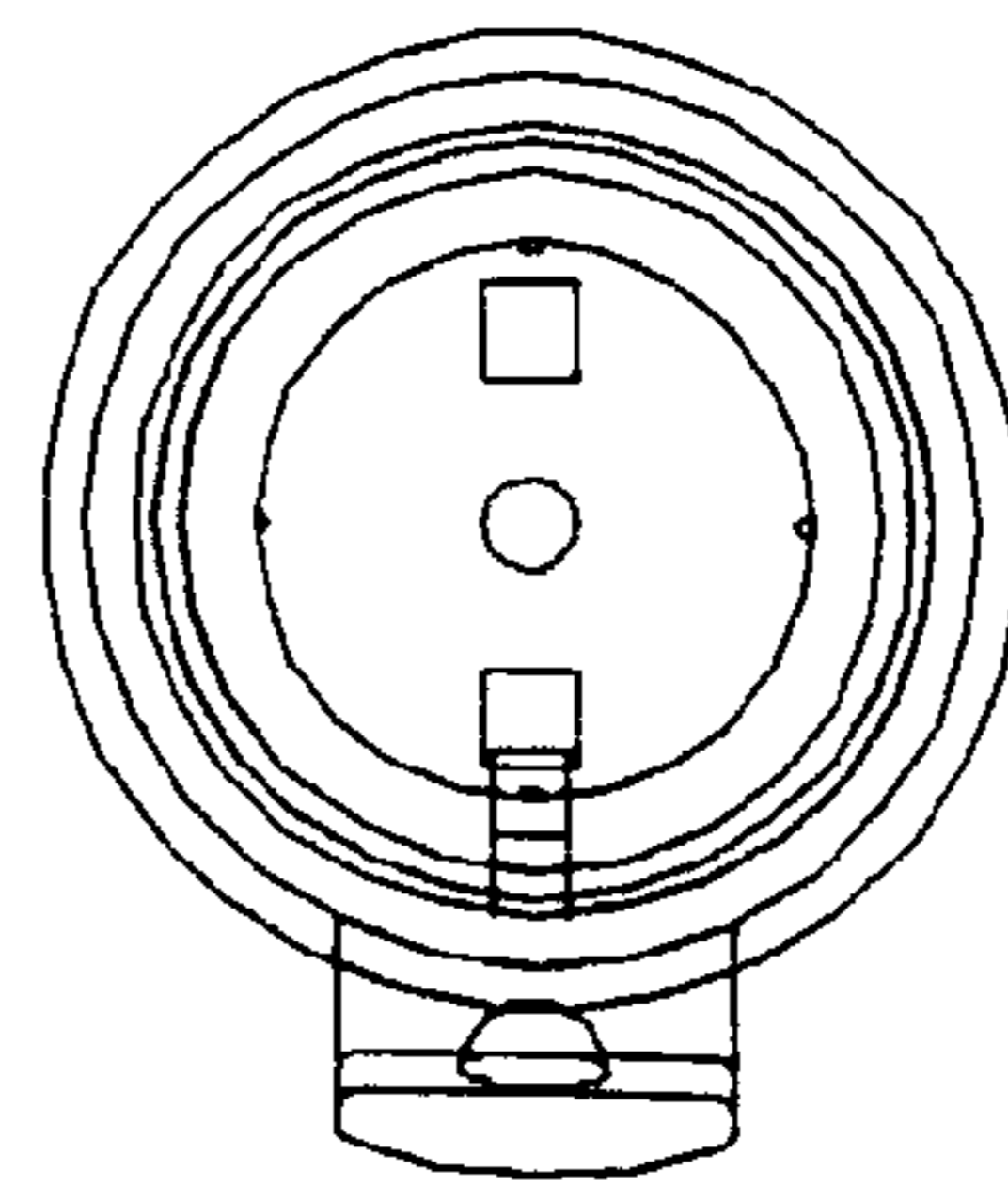


FIG. 7

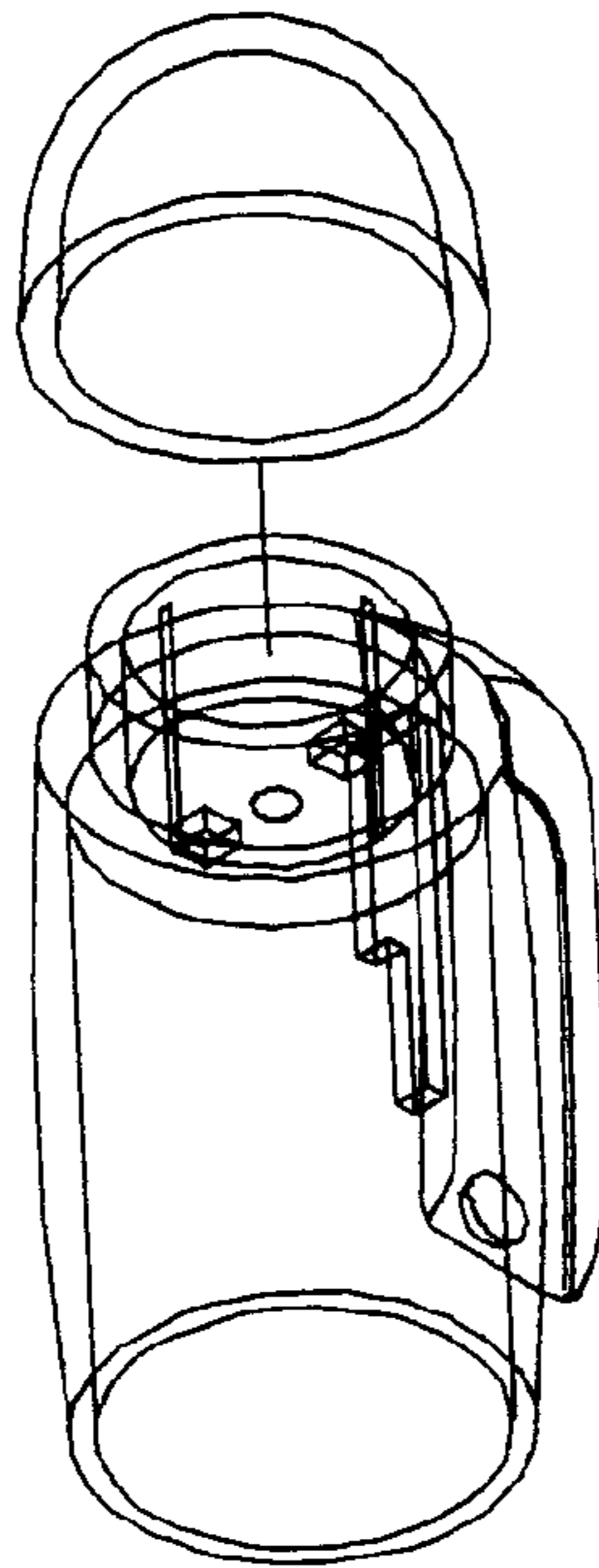


FIG.8

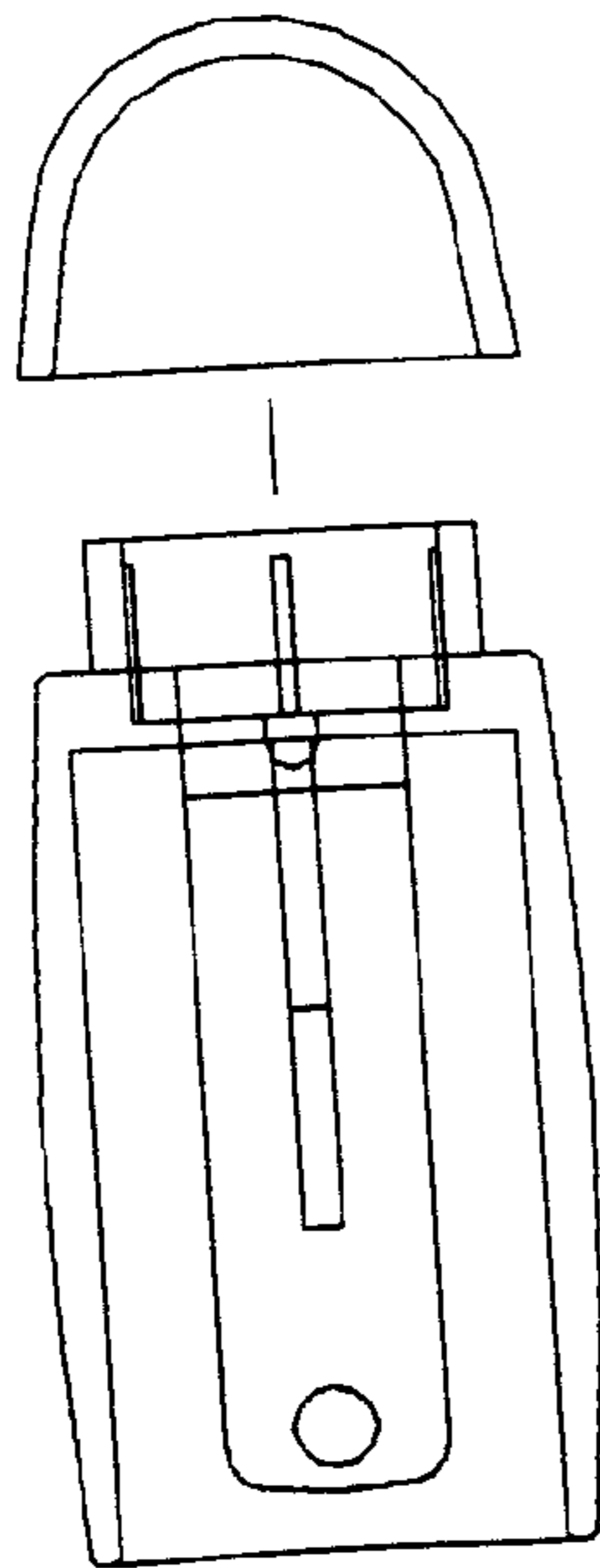


FIG.9

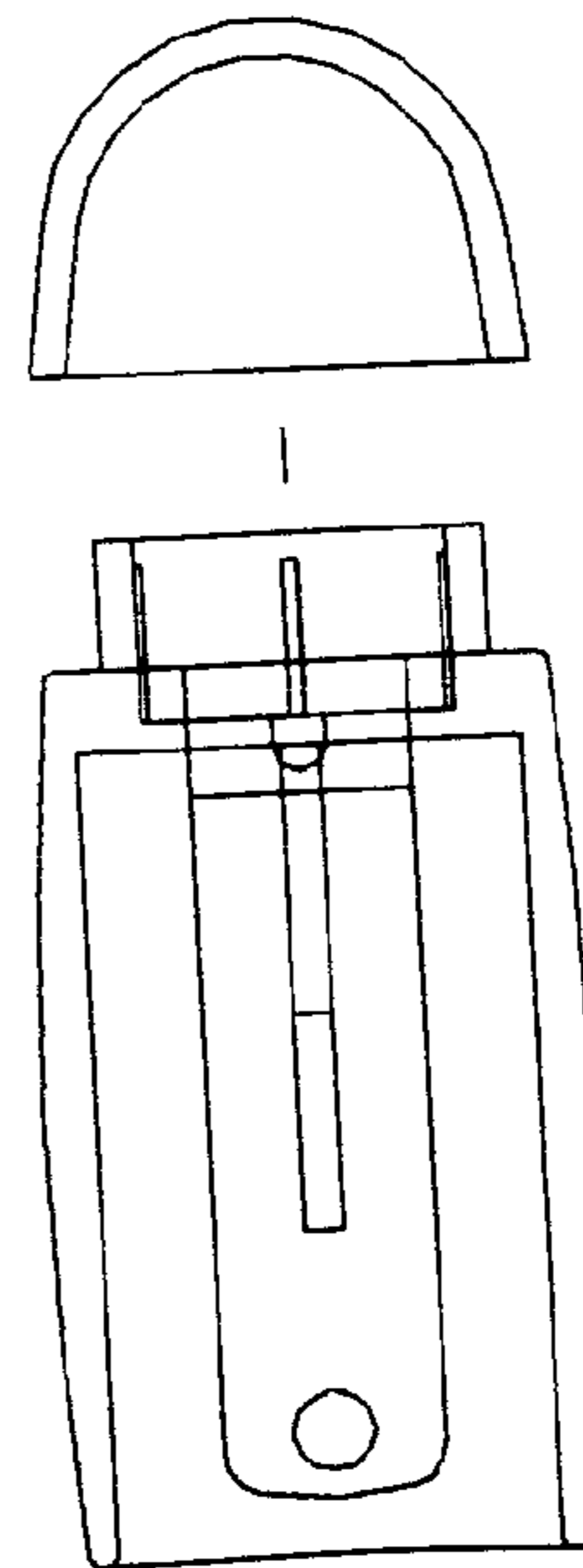


FIG.10

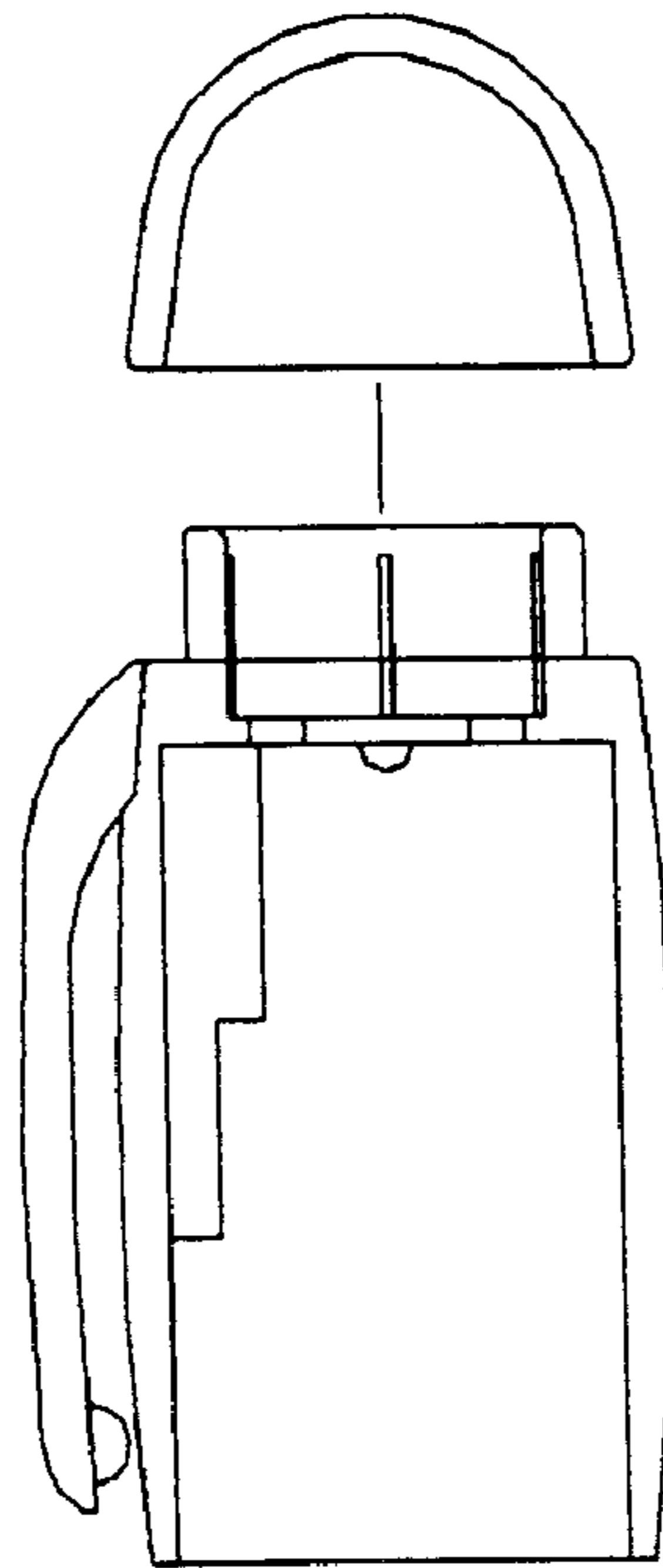


FIG. 11

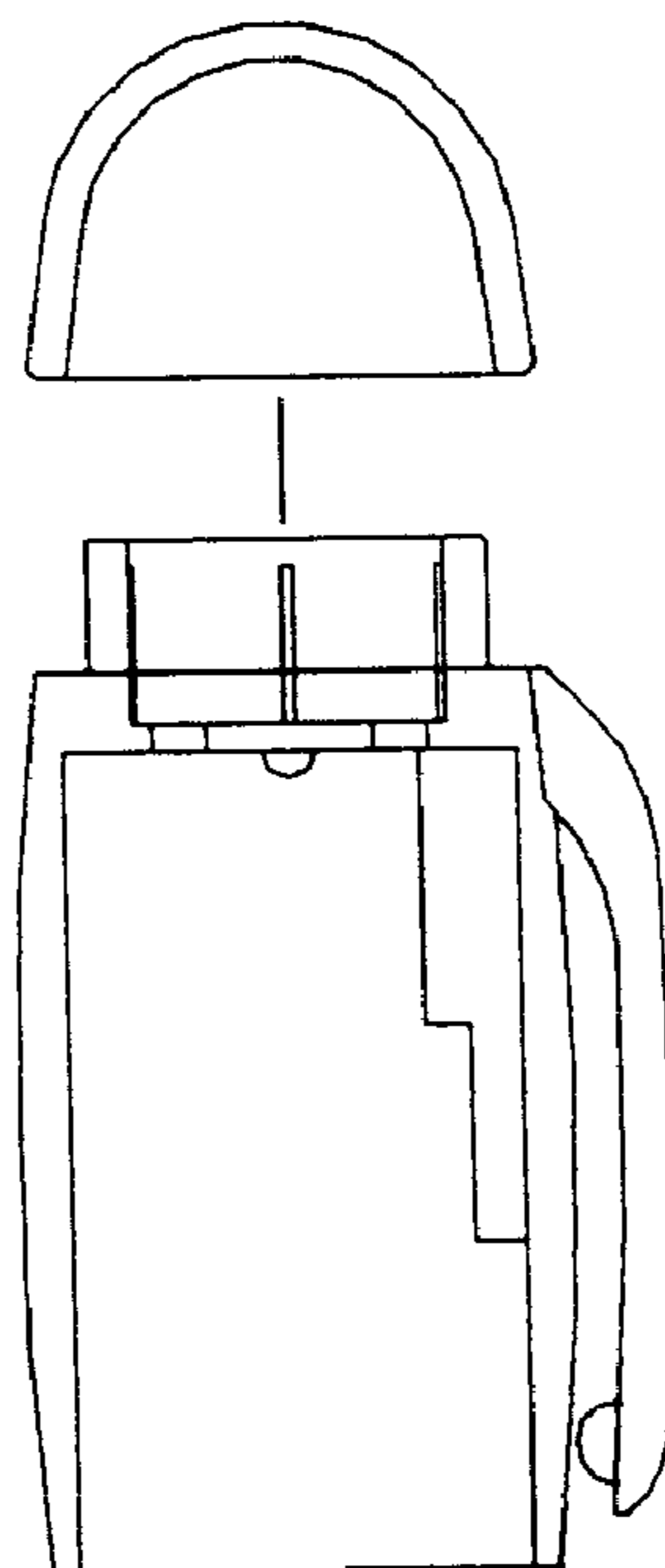


FIG. 12