



US00D504697S

(12) **United States Design Patent**
Hattori

(10) **Patent No.:** **US D504,697 S**

(45) **Date of Patent:** **** May 3, 2005**

(54) **PRINTER WITH COPYING FUNCTION**

(75) **Inventor:** **Mitsuharu Hattori, Nagoya (JP)**

(73) **Assignee:** **Brother Industries, Ltd., Nagoya (JP)**

(**) **Term:** **14 Years**

(21) **Appl. No.:** **29/185,590**

(22) **Filed:** **Jul. 1, 2003**

(30) **Foreign Application Priority Data**

Jan. 8, 2003 (JP) 2003-000191

(51) **LOC (7) Cl.** **14-02**

(52) **U.S. Cl.** **D18/55; D18/36; D14/468**

(58) **Field of Search** D18/19, 36-41,
D18/50, 53, 54, 54.1, 55; D14/420-425,
462-470; 400/613, 613.1, 613.2, 613.3,
613.4, 690.1, 690.2, 690.3, 690.4, 691-694

(56) **References Cited**

U.S. PATENT DOCUMENTS

D323,159 S * 1/1992 Iwasaki et al. D14/468

D368,259 S * 3/1996 Bishop et al. D14/468

D398,917 S * 9/1998 Senshiki D14/470

D434,045 S * 11/2000 Nakamura D14/466

D452,510 S * 12/2001 Irvine et al. D14/467

D471,202 S * 3/2003 Shimamura D14/469

* cited by examiner

Primary Examiner—Cathy Anne MacCormac

(74) *Attorney, Agent, or Firm*—Oliff & Berridge, PLC

(57) **CLAIM**

The ornamental design for printer with copying function, as shown and described.

DESCRIPTION

FIG. 1 is a front view of a printer with copying function;

FIG. 2 is a rear view thereof;

FIG. 3 is a left-side view thereof;

FIG. 4 is a right-side view thereof;

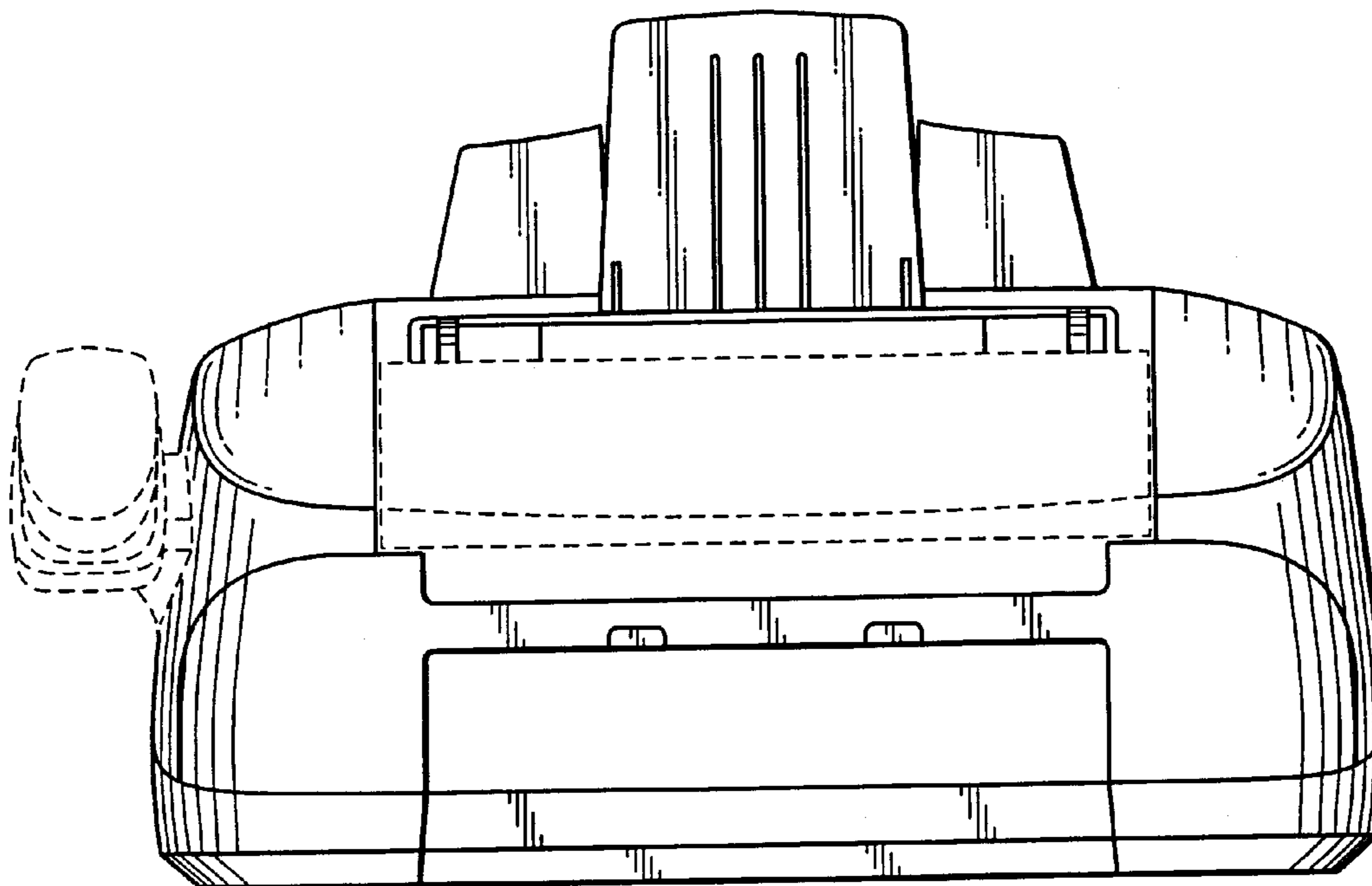
FIG. 5 is a top view thereof;

FIG. 6 is a bottom view thereof; and,

FIG. 7 is a perspective view.

The broken lines are for illustrative purposes only and form no part of the claimed design.

1 Claim, 4 Drawing Sheets



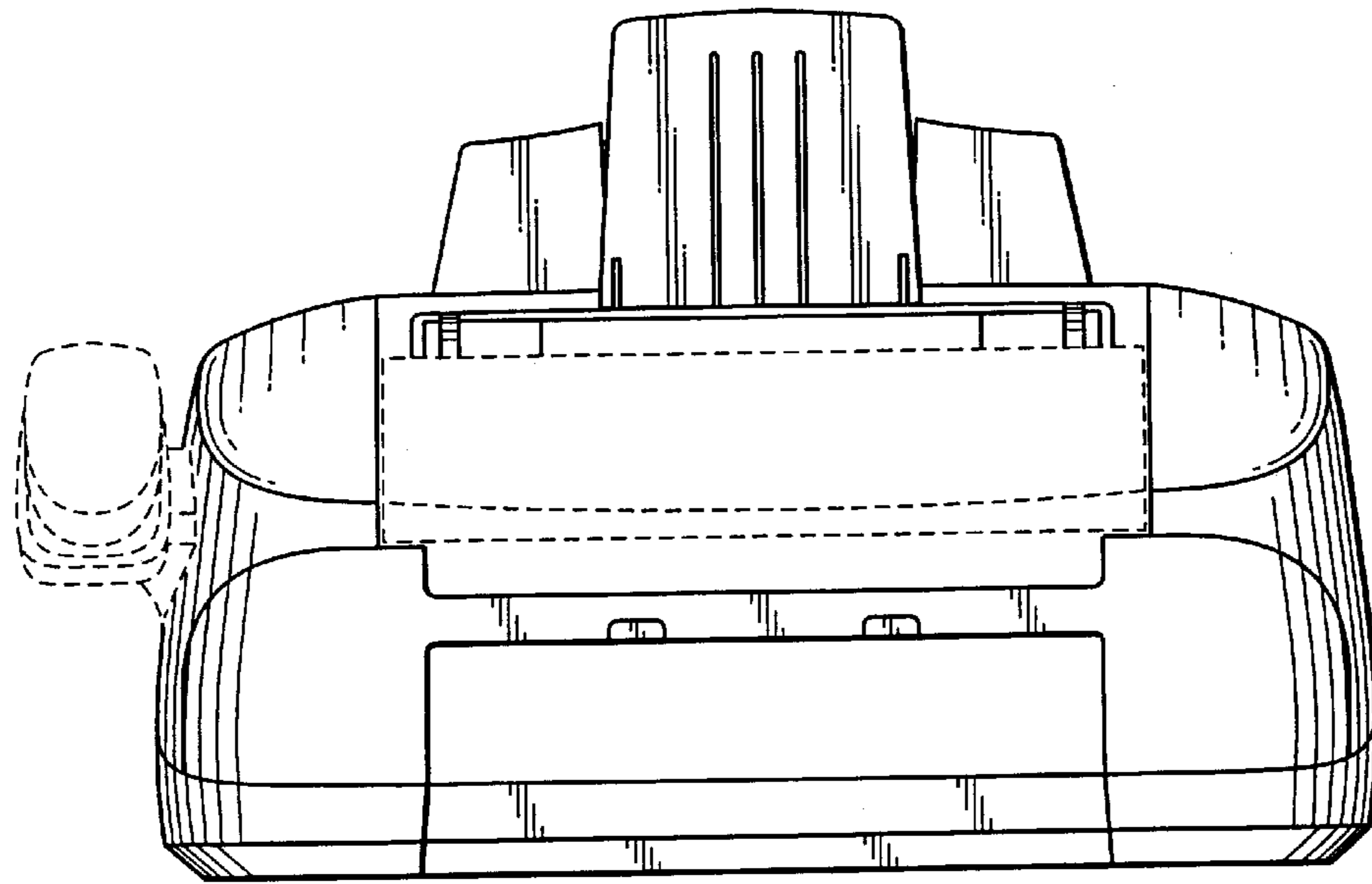


Fig. 1

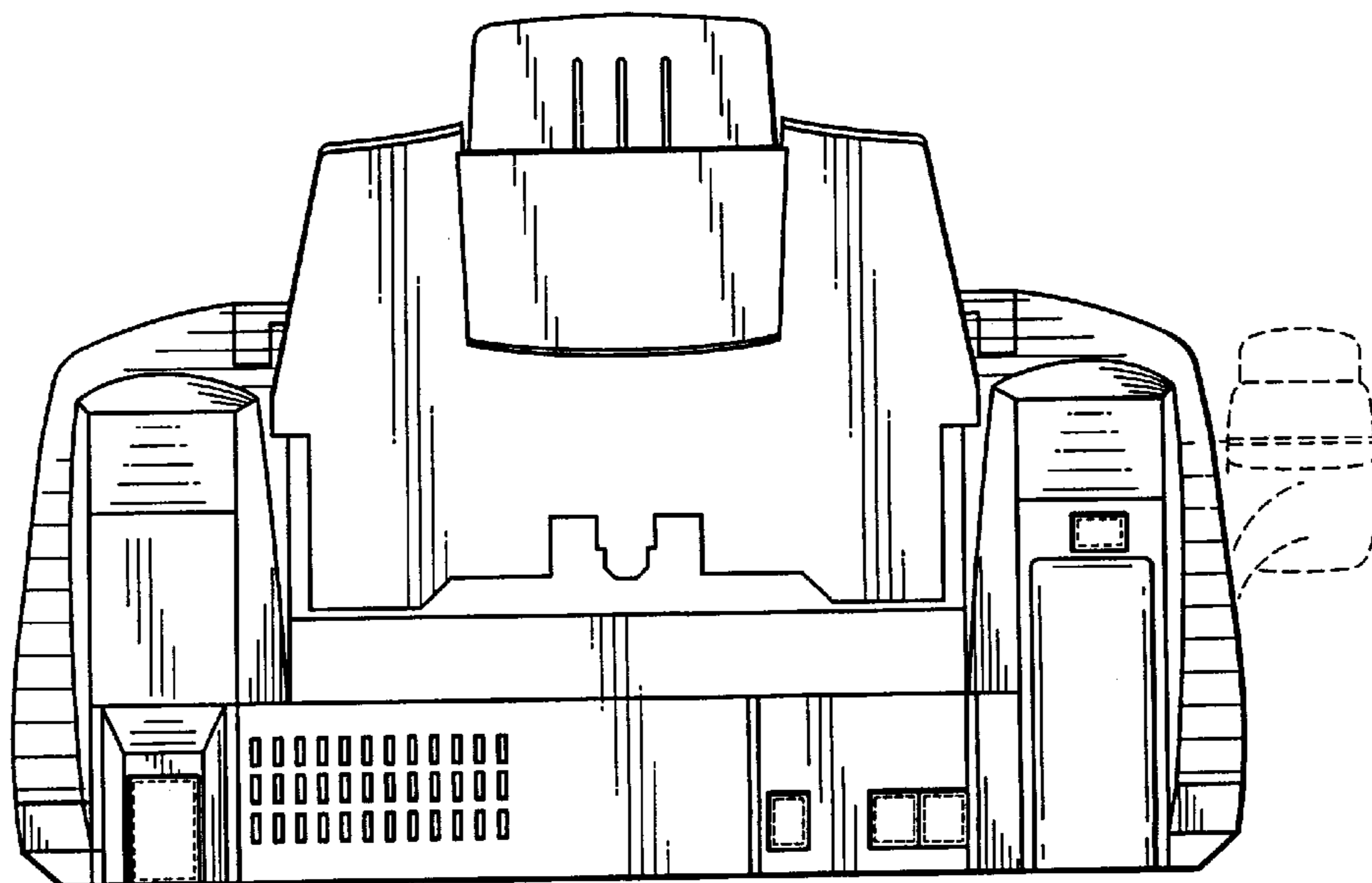


Fig. 2

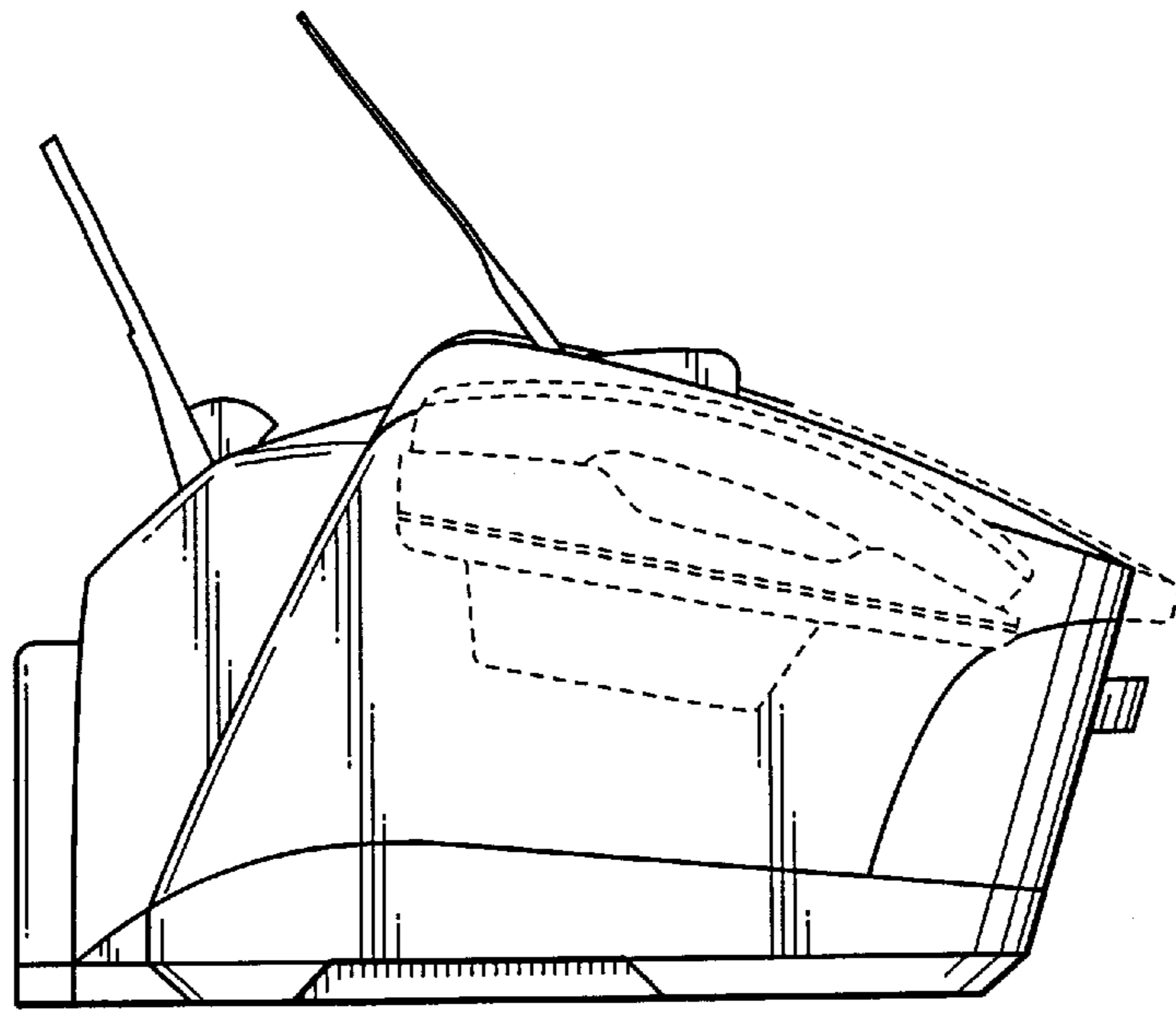


Fig. 3

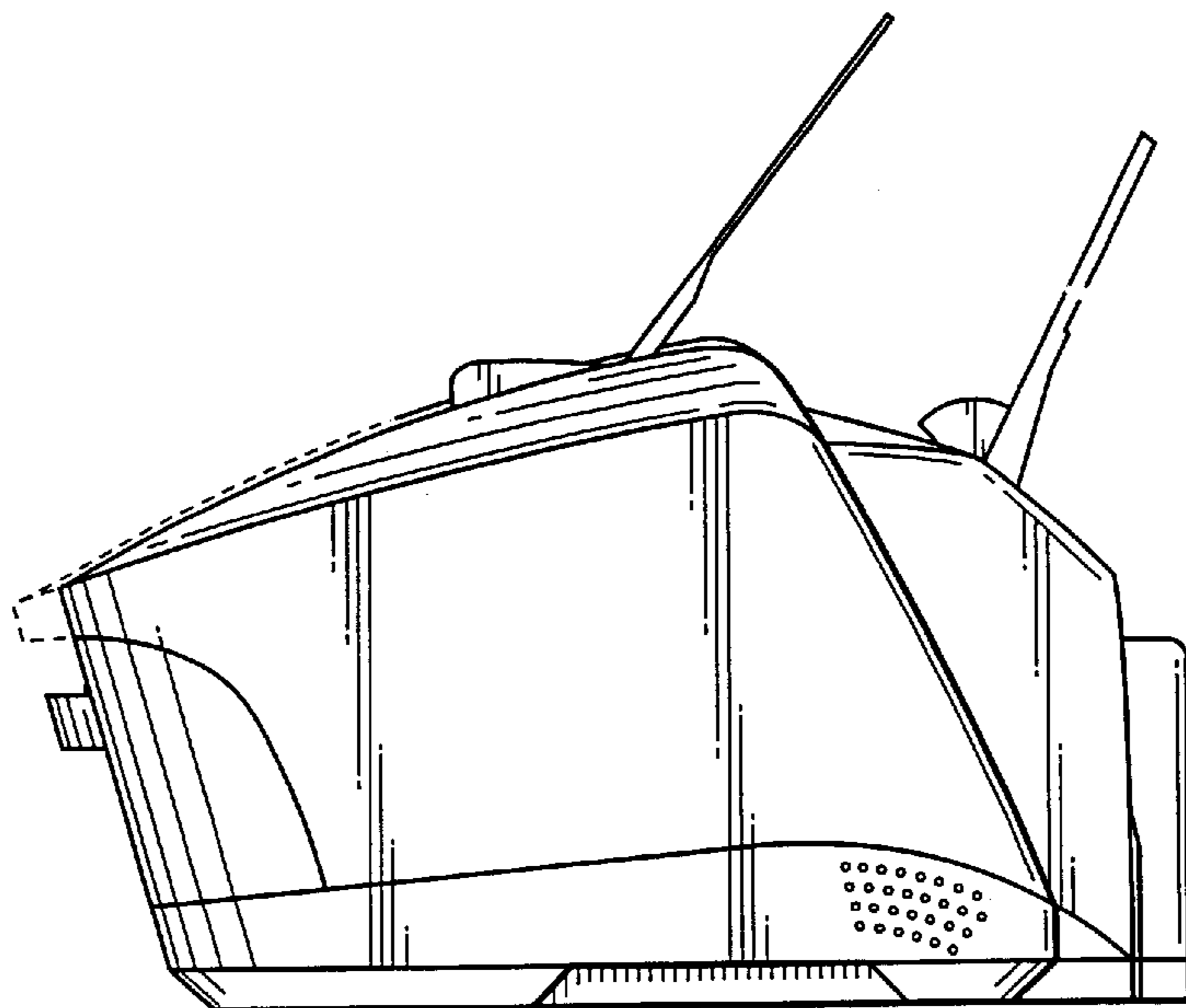


Fig. 4

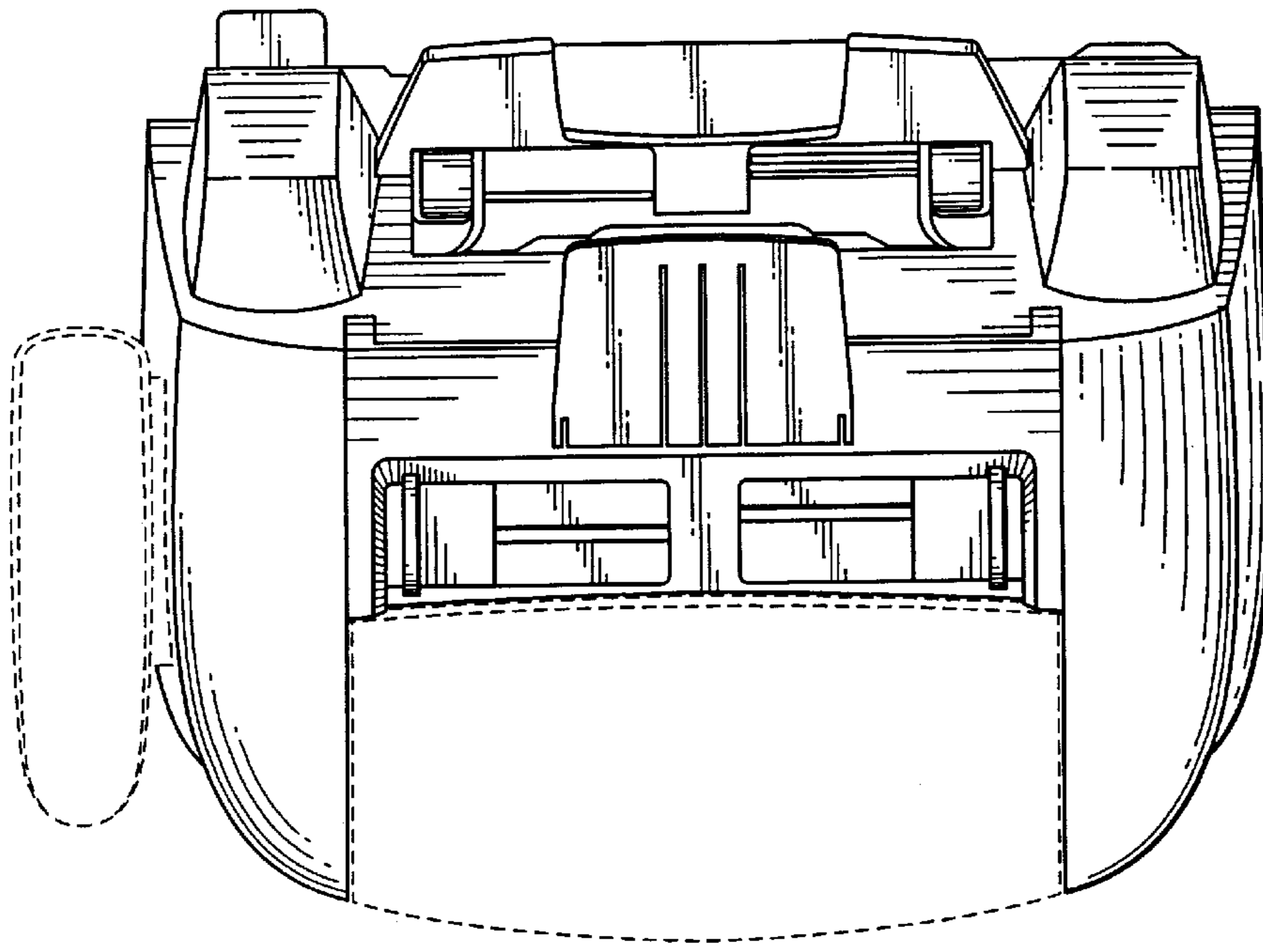


Fig. 5

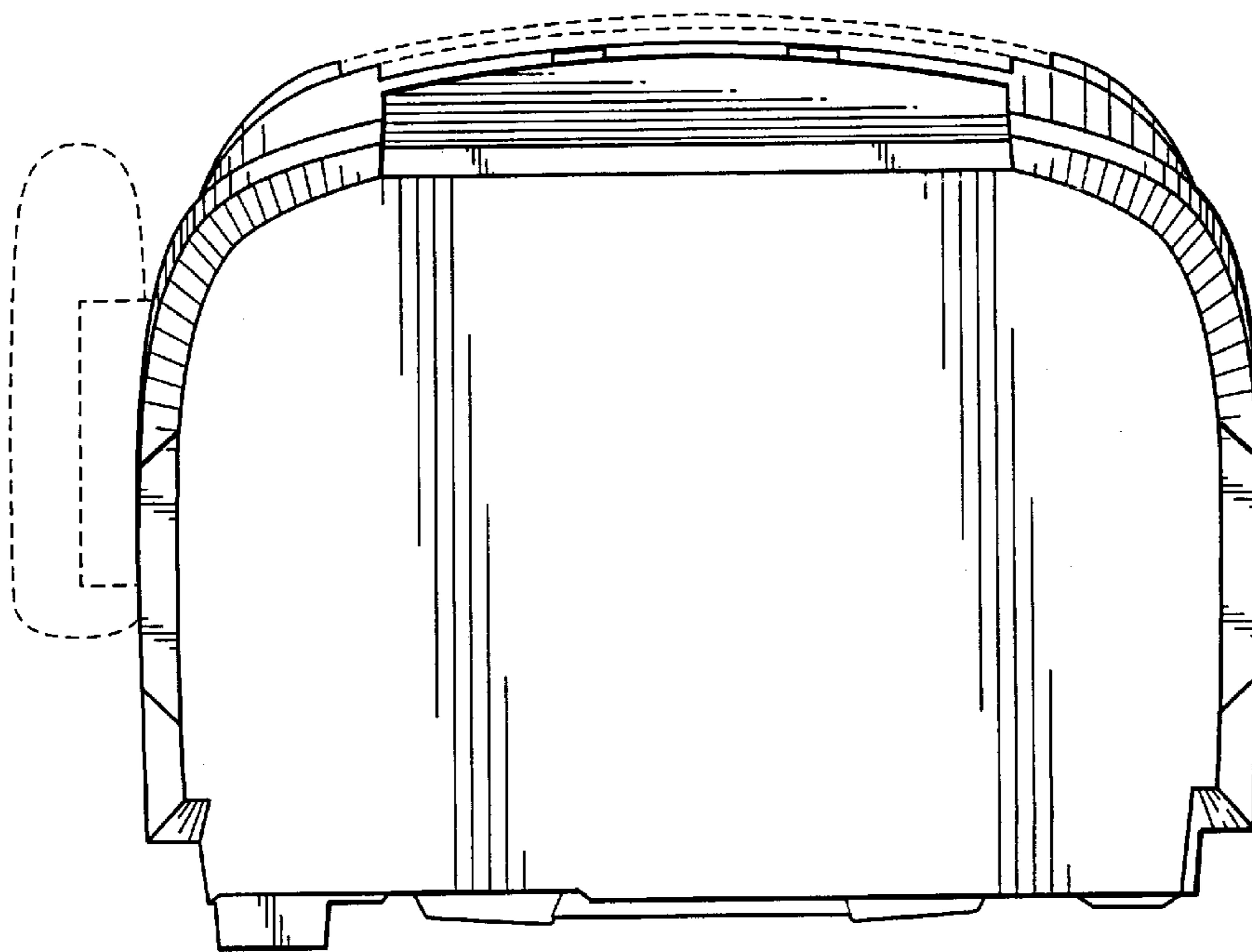


Fig. 6

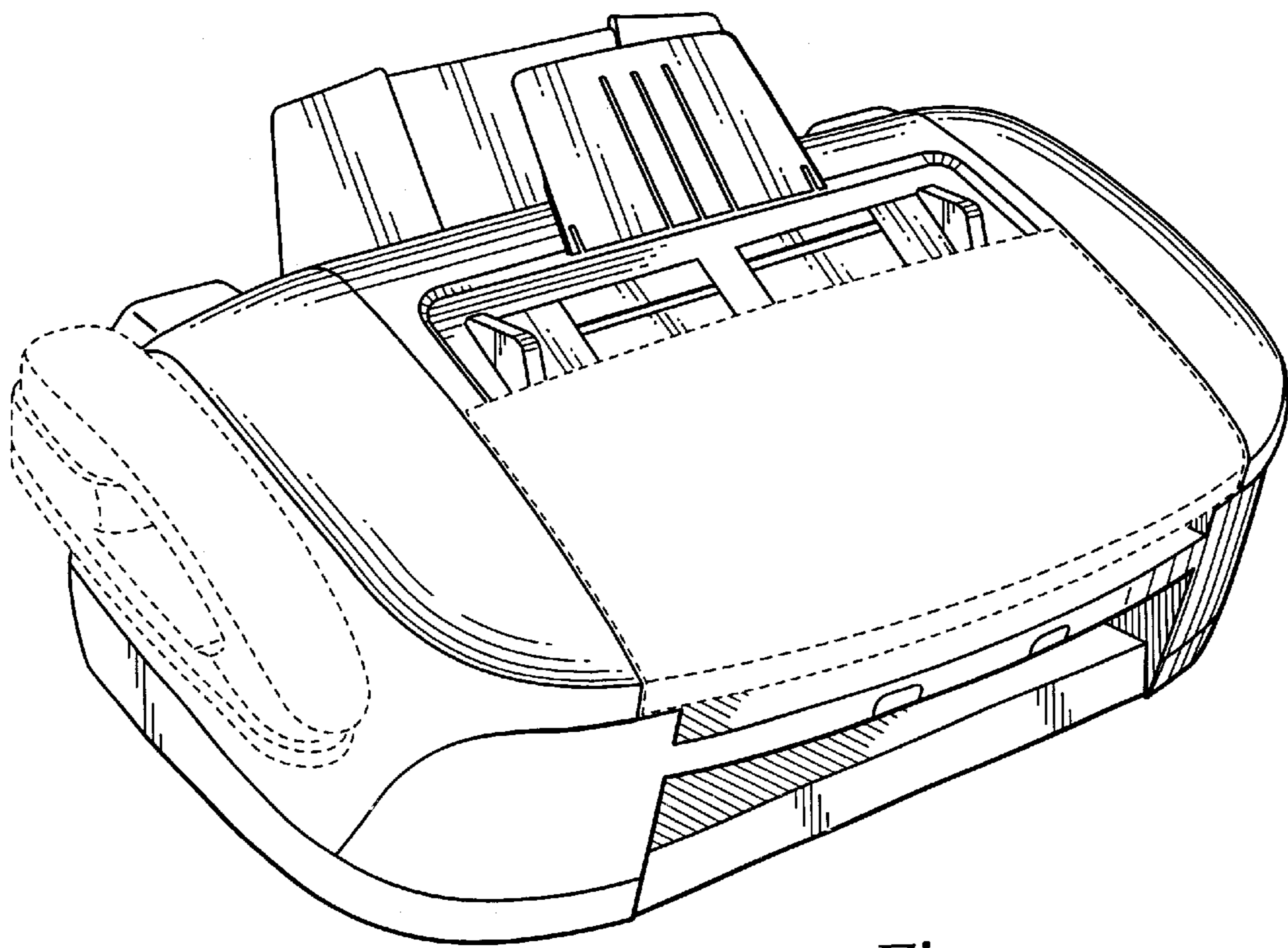


Fig. 7