

US00D504696S

(12) **United States Design Patent**
Swayze et al.

(10) **Patent No.:** **US D504,696 S**

(45) **Date of Patent:** **** May 3, 2005**

(54) **COMBINED PRINTER AND DOCKING STATION**

D470,164 S * 2/2003 Obata D18/50

* cited by examiner

(75) Inventors: **Samuel F. Swayze**, Fairport, NY (US);
David R. Gotham, Sr., Rochester, NY (US);
Christopher J. Lundgren, Fairport, NY (US)

Primary Examiner—Cathy Anne MacCormac
(74) *Attorney, Agent, or Firm*—Roland R. Schindler

(73) Assignee: **Eastman Kodak Company**, Rochester, NY (US)

(57) **CLAIM**

The ornamental design for a combined printer and docking station, as shown and described.

(**) Term: **14 Years**

DESCRIPTION

(21) Appl. No.: **29/176,974**

The nature of the article is a printing device with a docking station for a camera.

(22) Filed: **Feb. 28, 2003**

FIG. 1 is a top, left, and front perspective view of a combined printer and docking station showing our new design;

(51) **LOC (7) Cl.** **14-02**

(52) **U.S. Cl.** **D18/50**

FIG. 2 is a front elevation view thereof;

(58) **Field of Search** D18/50, 53, 54,
D18/55, 36-39; D14/462-470, 420-425;
400/613, 613.1-613.4, 691-694.4, 690.1-690.4;
355/78; D16/237

FIG. 3 is a rear view thereof;

FIG. 4 is a top plan view thereof;

FIG. 5 is a bottom view thereof;

FIG. 6 is a left side elevation view thereof;

FIG. 7 is a right side elevation view thereof;

FIG. 8 is a top, right, front perspective view thereof;

FIG. 9 is a top, left, front perspective view of FIG. 8; and,

FIG. 10 is a top, left, front perspective view thereof with a media supply door in open position.

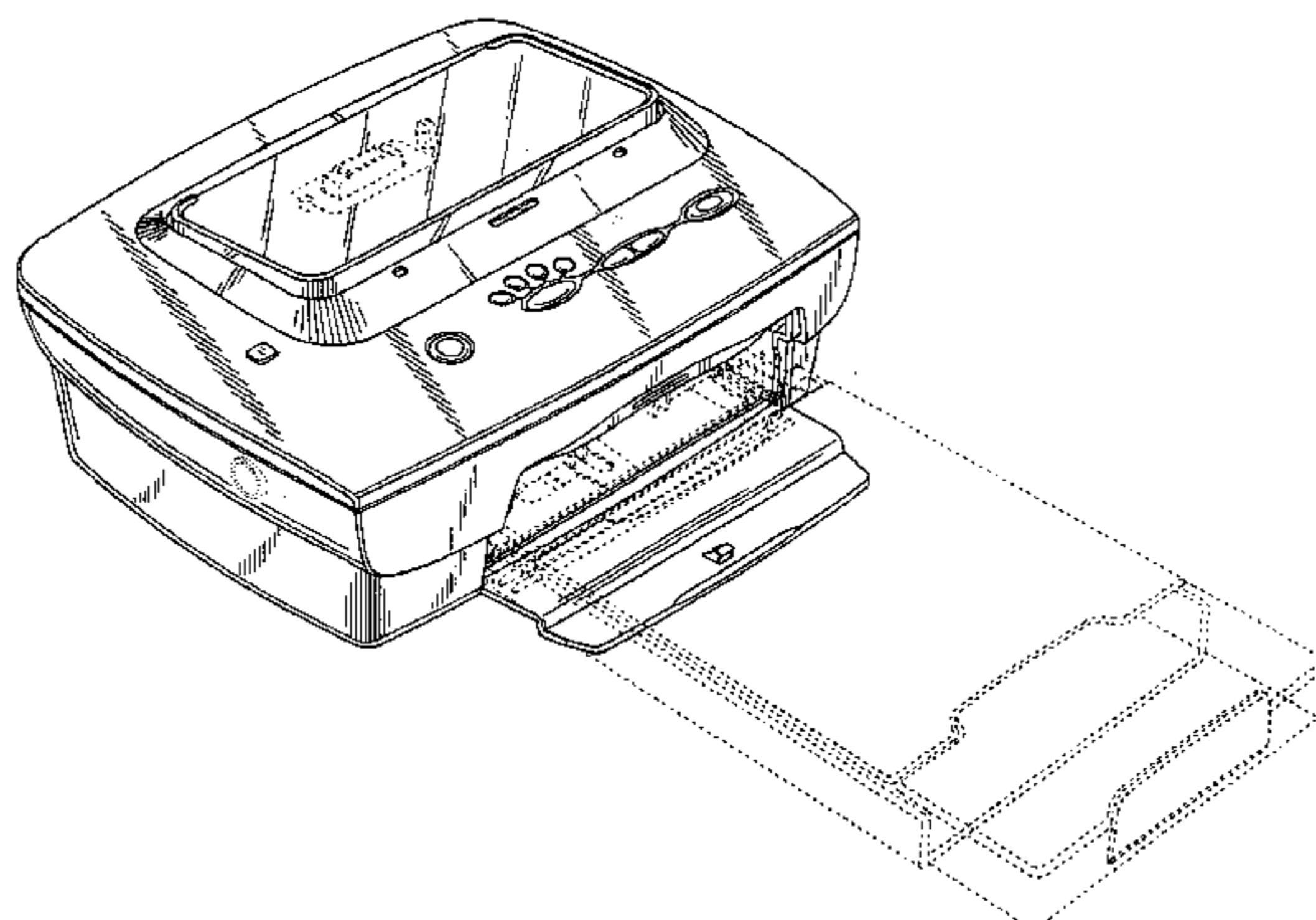
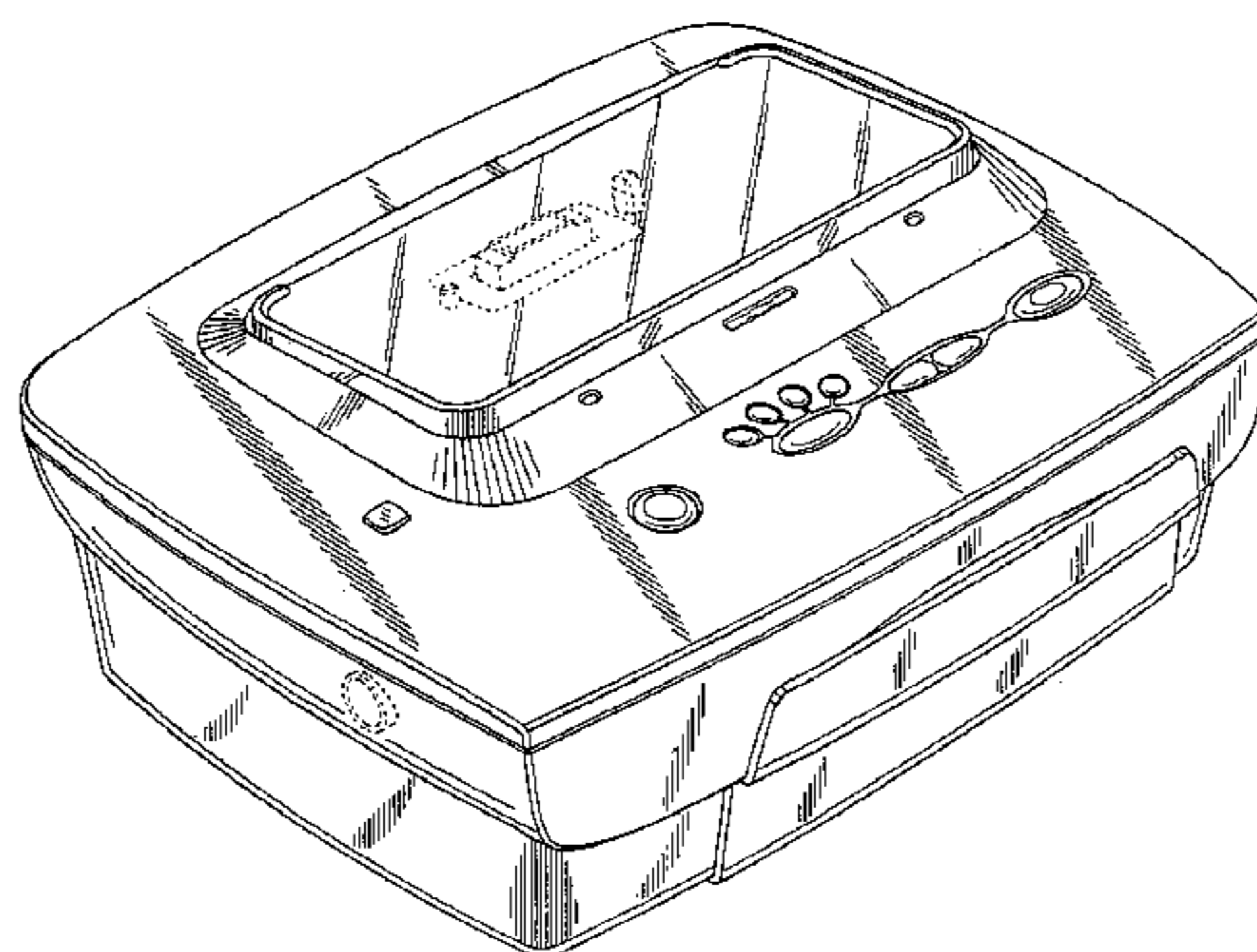
The broken lines are for illustration only and form no part of the claimed design.

(56) **References Cited**

U.S. PATENT DOCUMENTS

- D331,838 S * 12/1992 Buteau D18/50
- D333,302 S * 2/1993 Ebihara et al. D14/118
- D339,576 S * 9/1993 Sawada et al. D14/118
- D384,642 S * 10/1997 Miyahara D13/133
- D421,039 S * 2/2000 Delacoux D16/237
- D466,551 S * 12/2002 Nagai D18/50

1 Claim, 10 Drawing Sheets



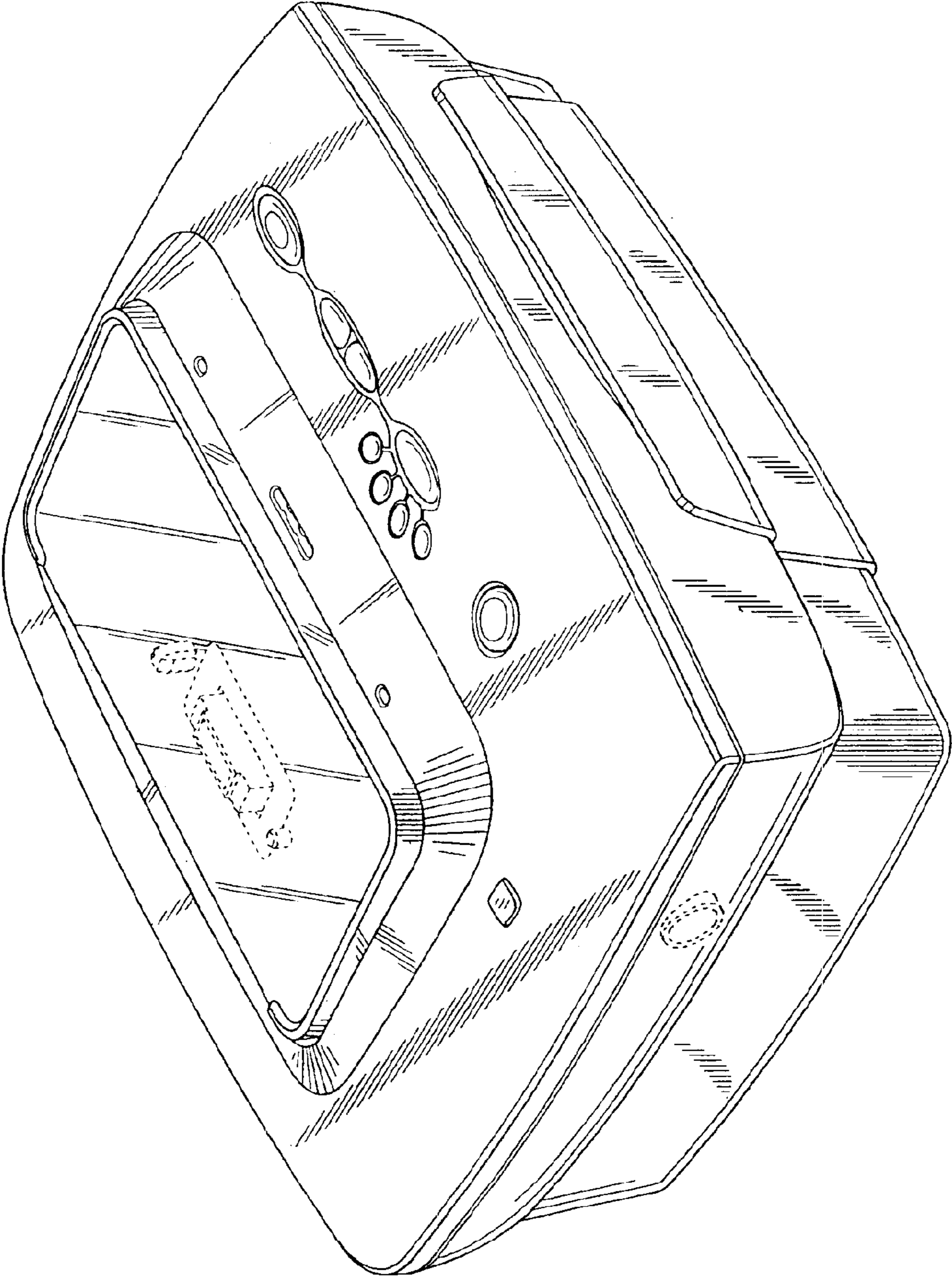


FIG. 1

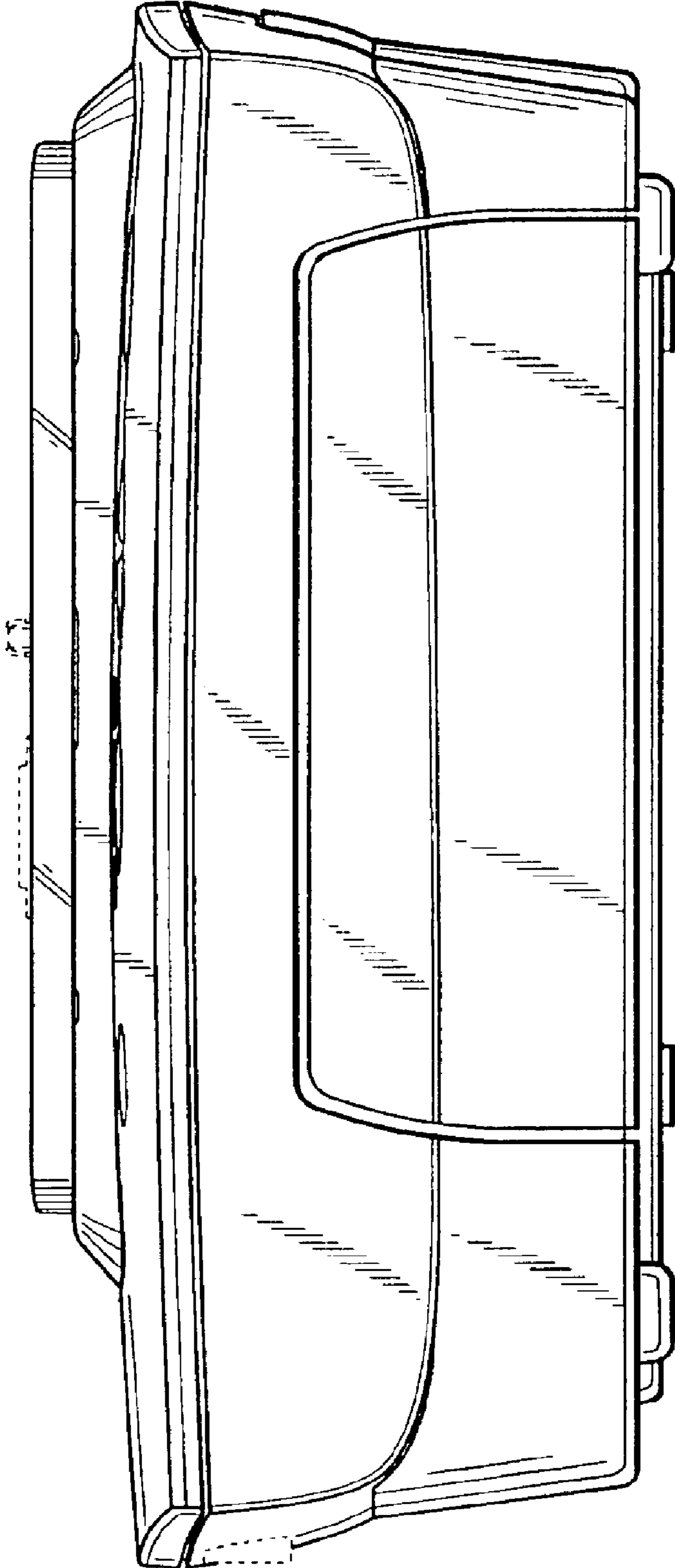


FIG. 2

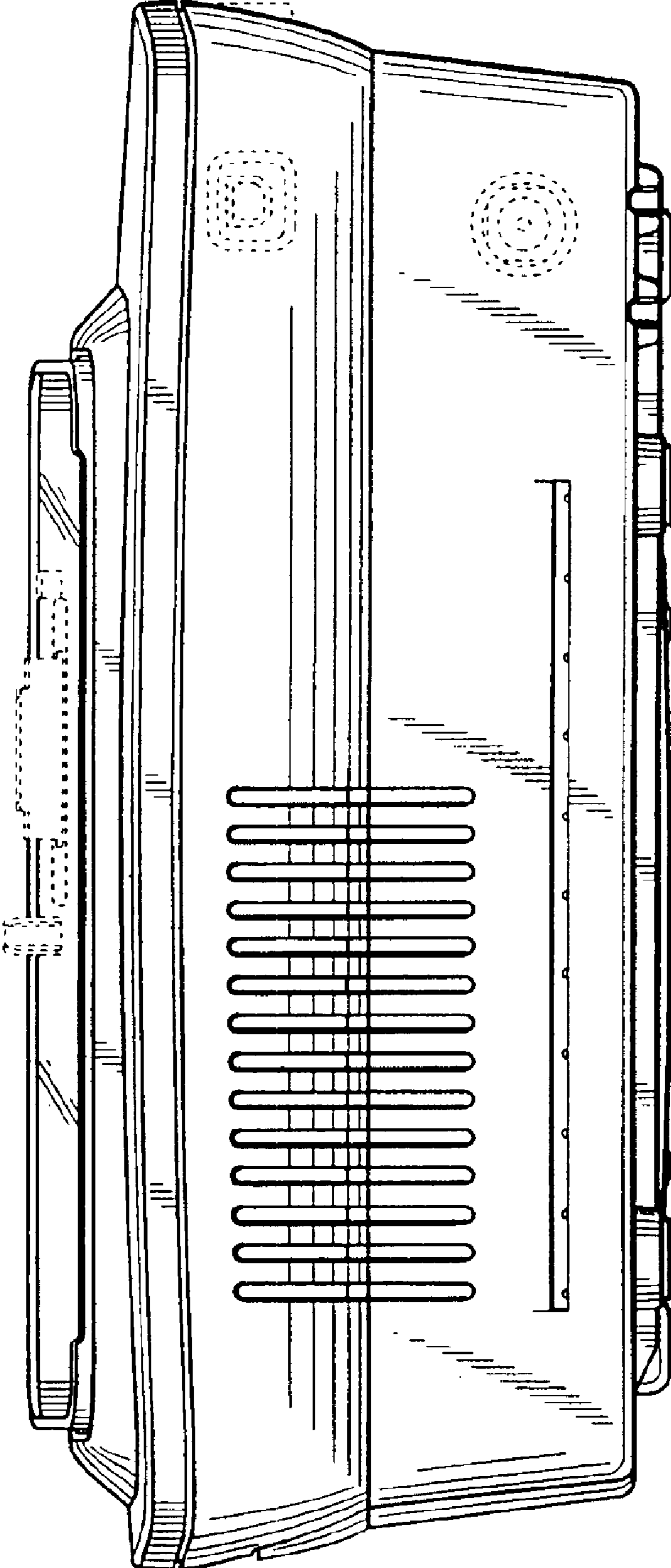


FIG. 3

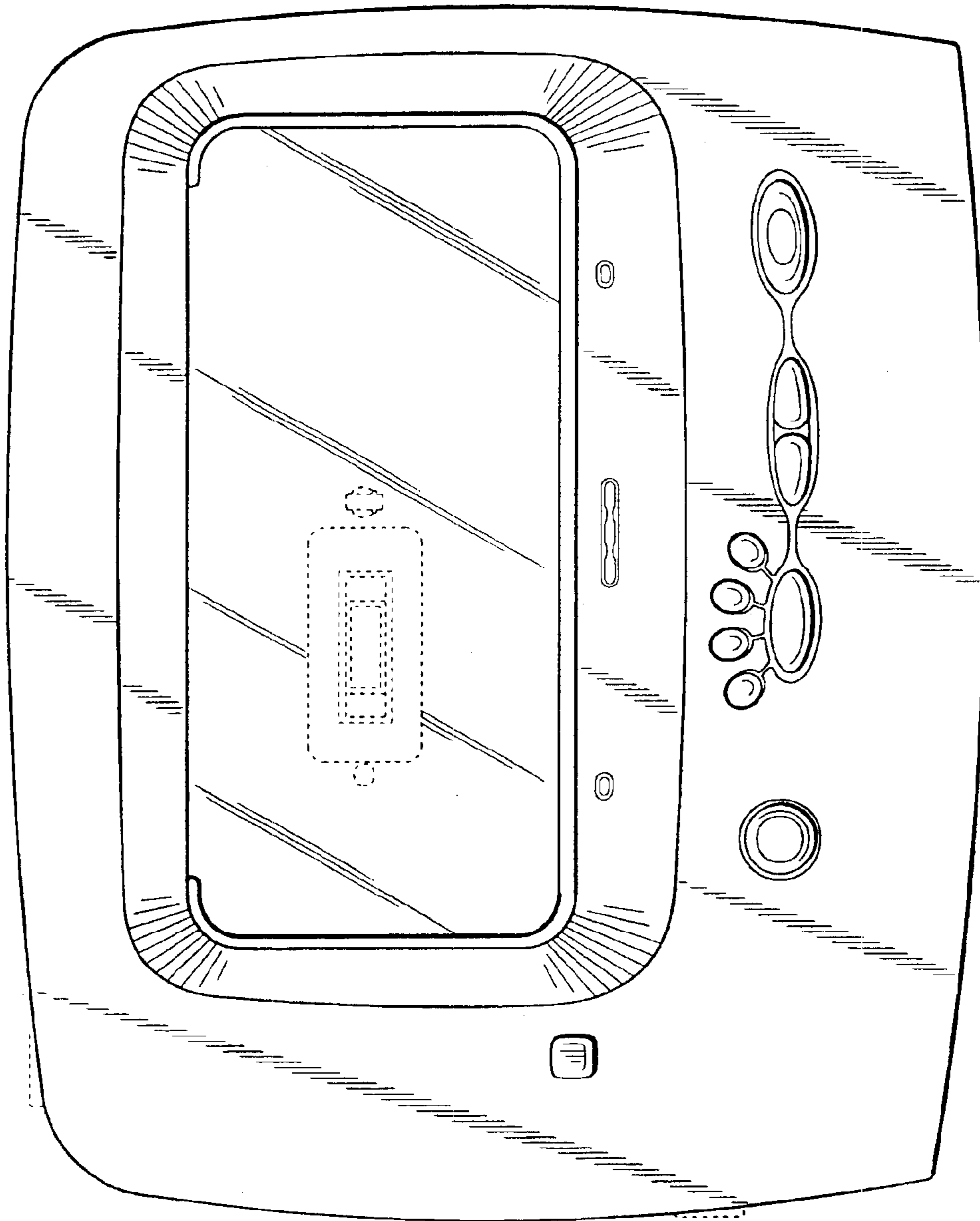


FIG. 4

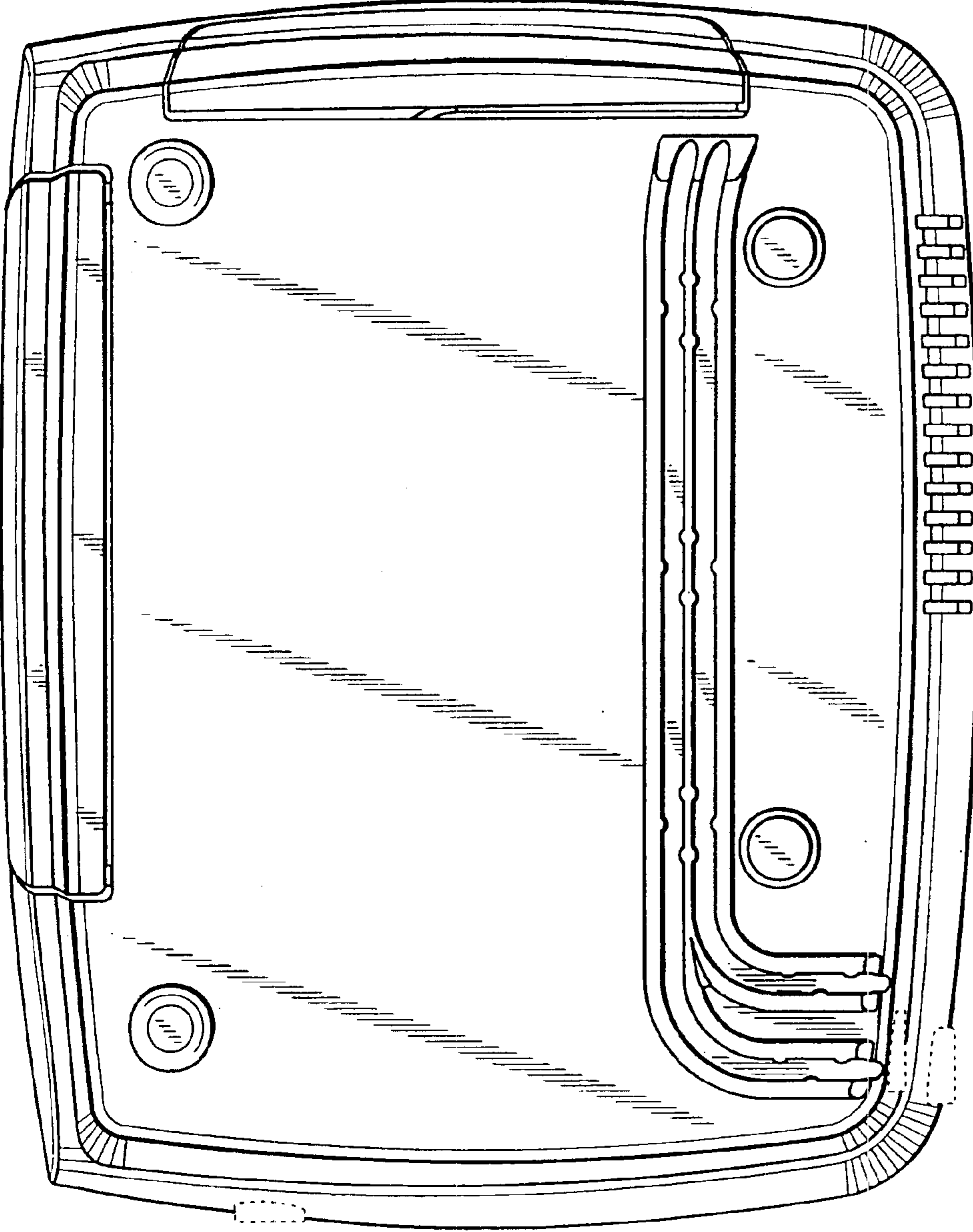


FIG. 5

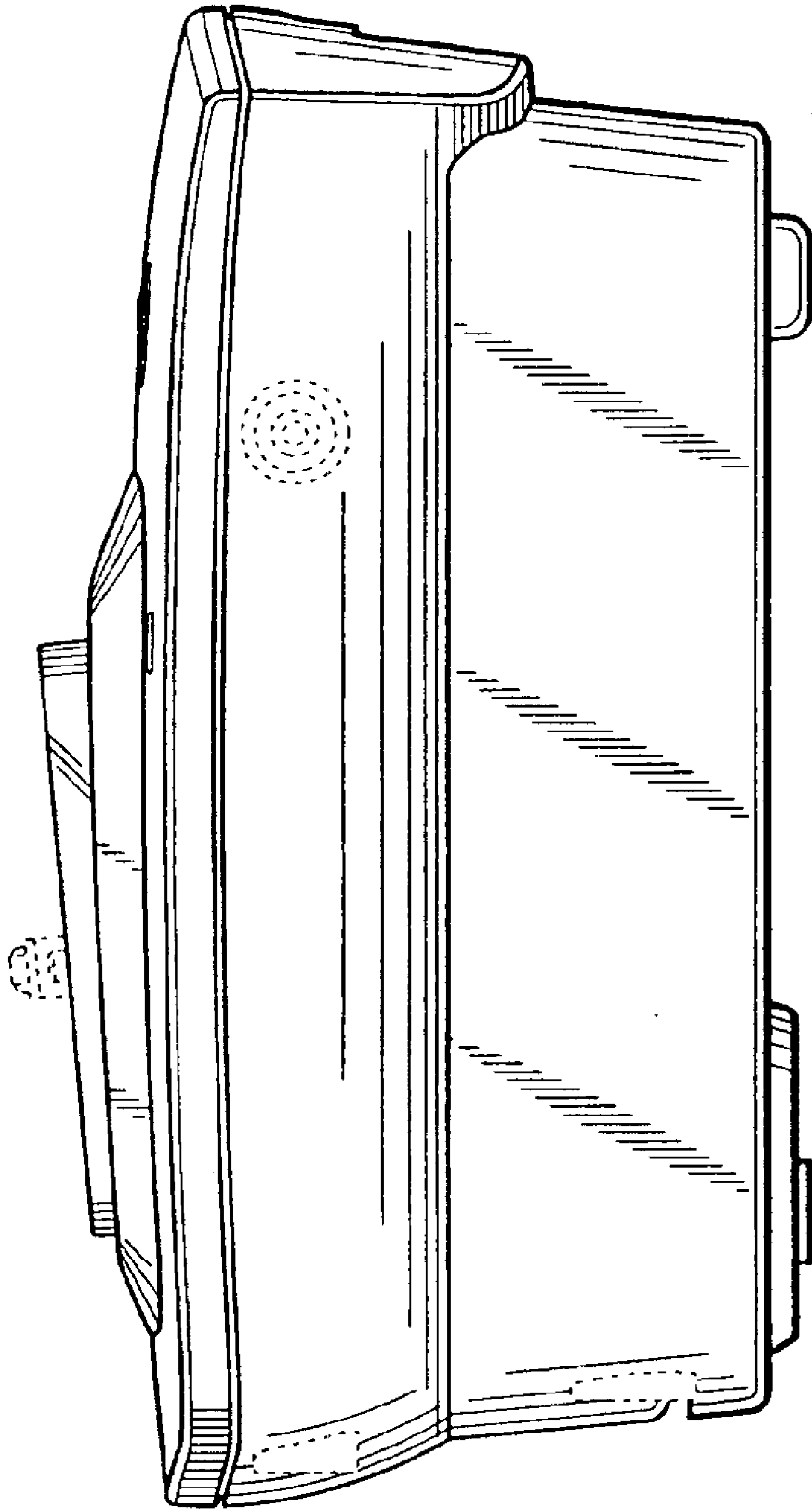


FIG. 6

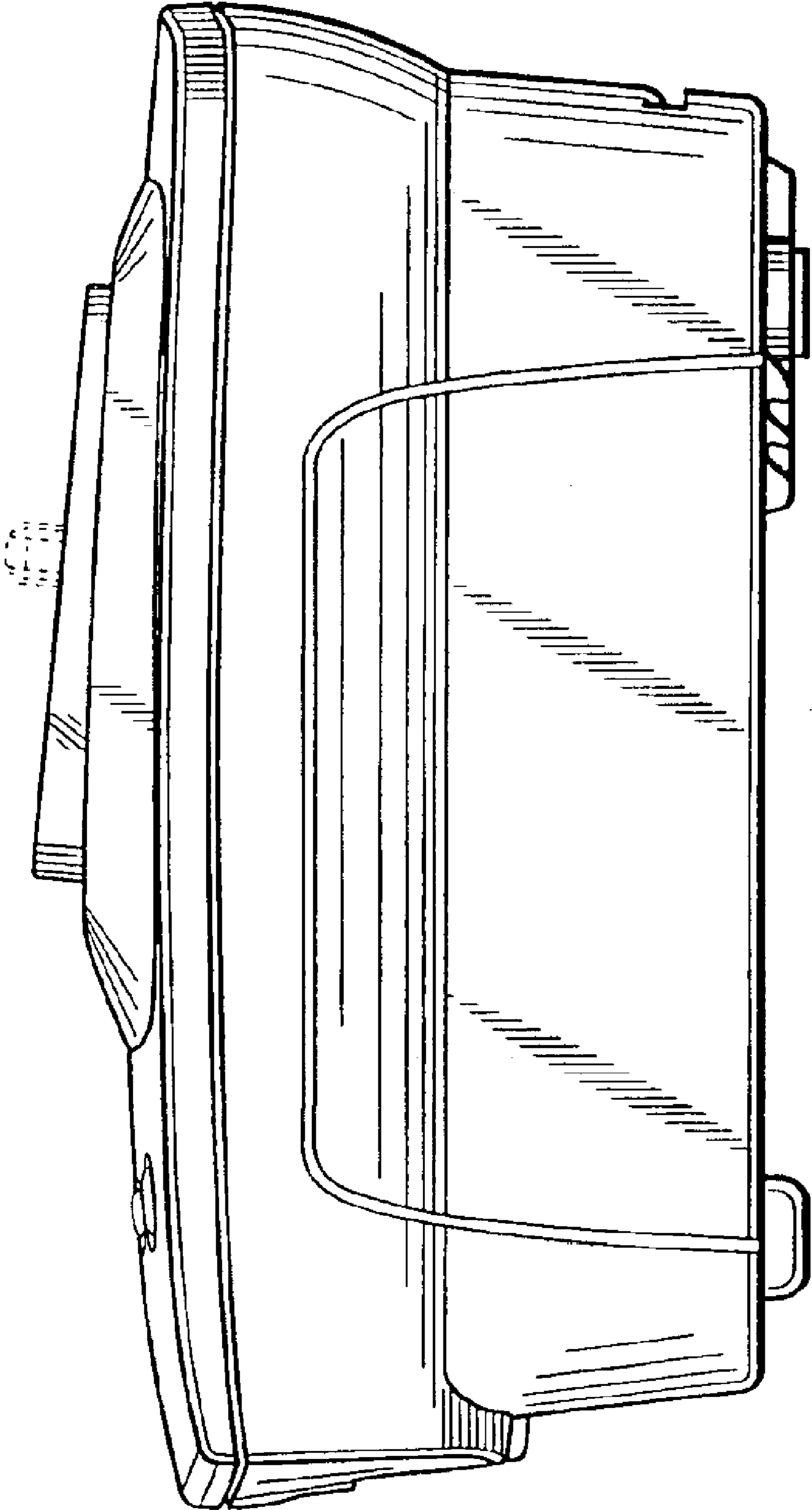


FIG. 7

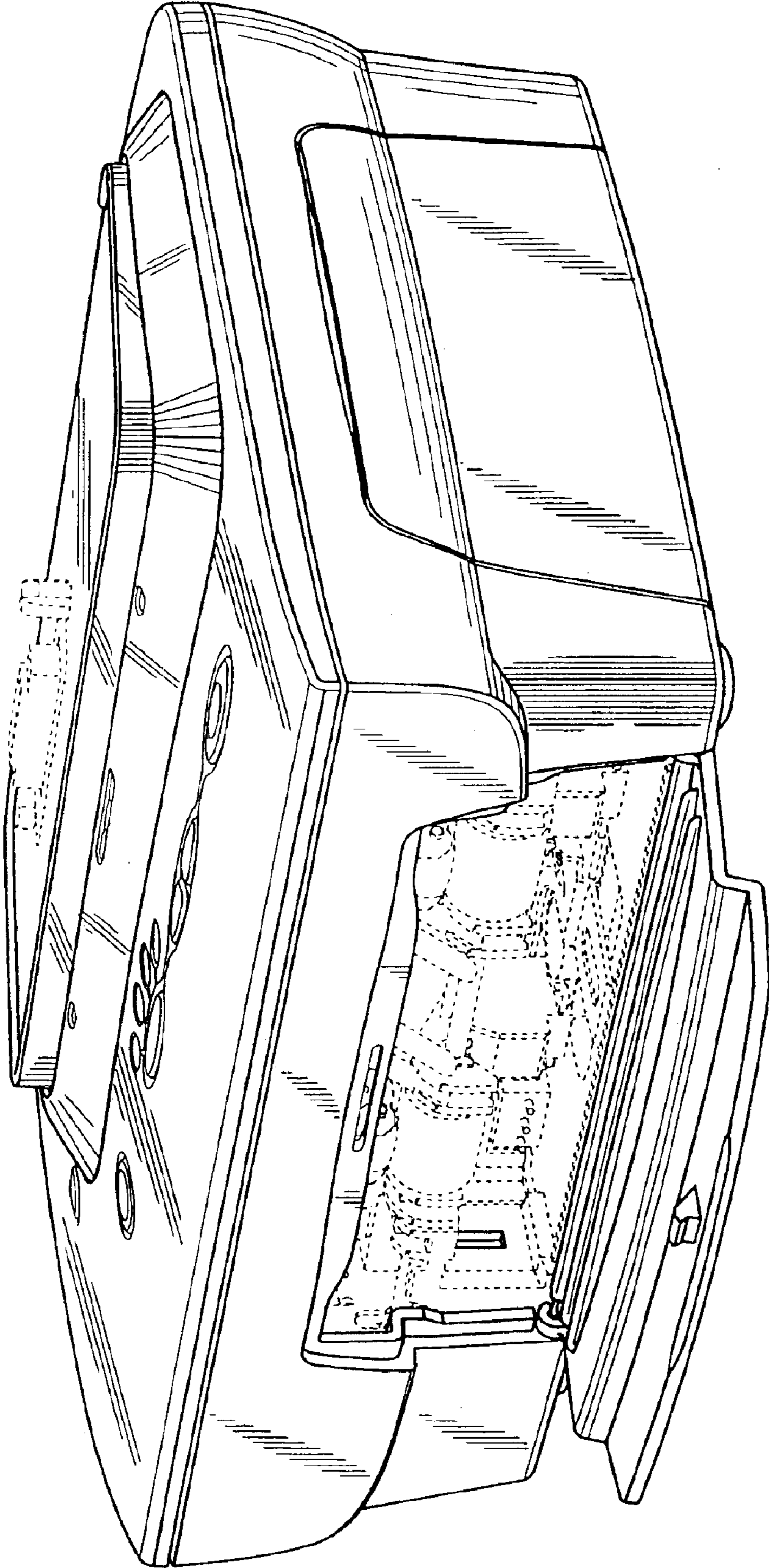


FIG. 8

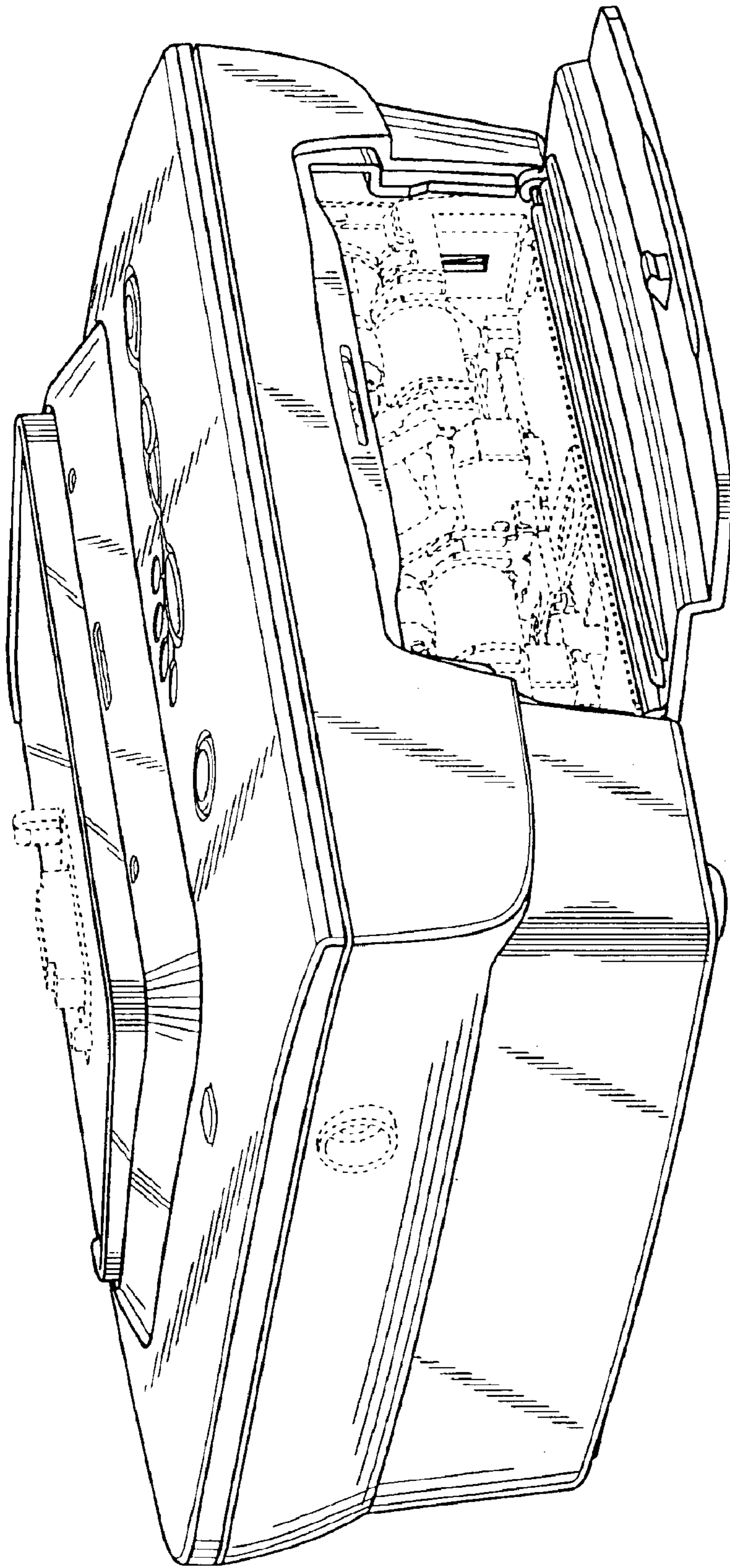


FIG. 9

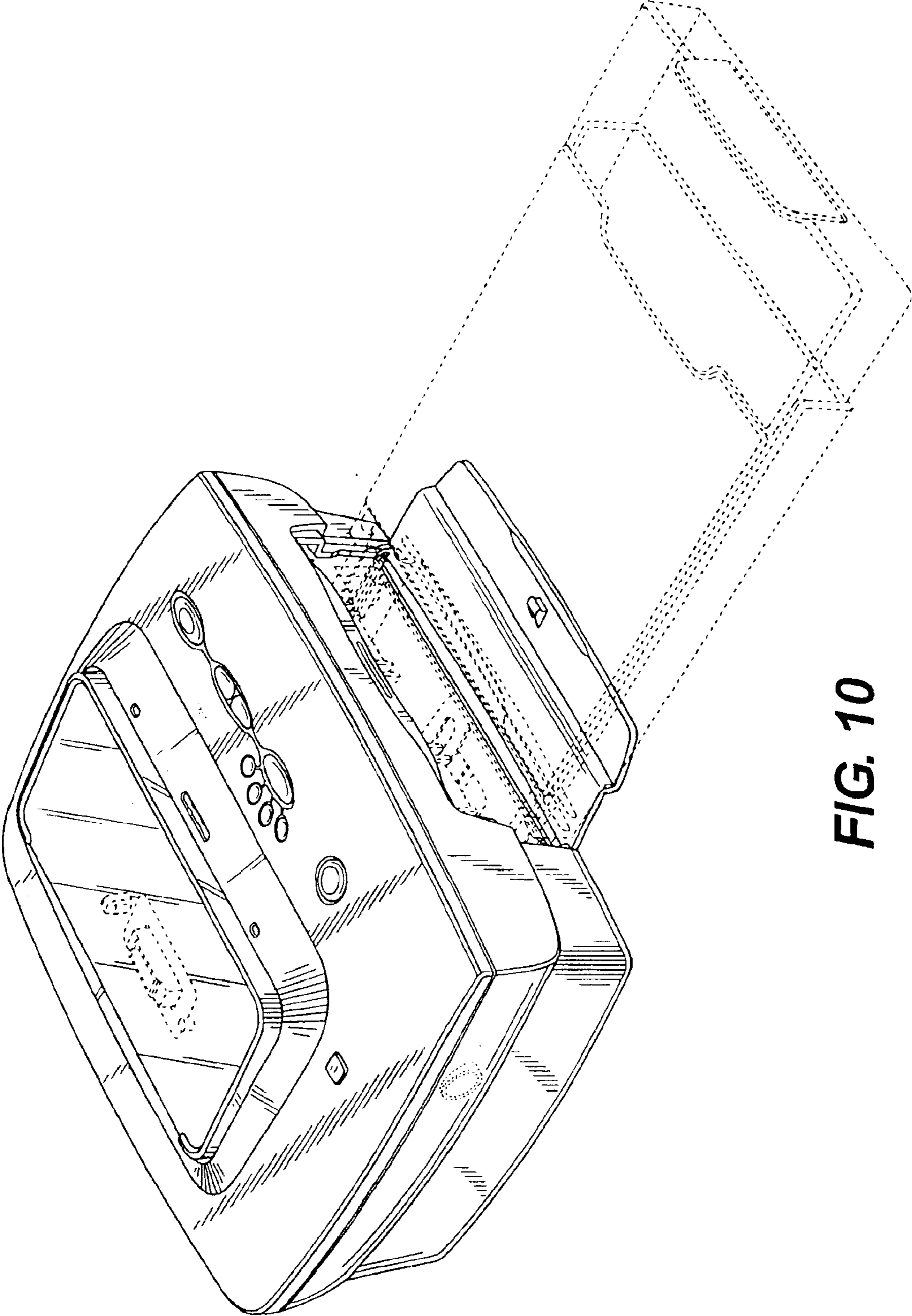


FIG. 10