



US00D504695S

(12) **United States Design Patent**
Shimobayashi

(10) **Patent No.:** **US D504,695 S**
(45) **Date of Patent:** **** May 3, 2005**

(54) **DIGITAL CAMERA**

(75) Inventor: **Koji Shimobayashi**, Hachioji (JP)

(73) Assignee: **Olympus Corporation**, Tokyo (JP)

(**) Term: **14 Years**

(21) Appl. No.: **29/194,116**

(22) Filed: **Nov. 19, 2003**

(30) **Foreign Application Priority Data**

Sep. 19, 2003 (JP) 2003-027546

(51) **LOC (7) Cl.** **16-01**

(52) **U.S. Cl.** **D16/202; D16/209**

(58) **Field of Search** **D16/200-205,**
D16/208, 209, 211, 218; 348/373-376;
358/909.1; 396/535-541

(56) **References Cited**

U.S. PATENT DOCUMENTS

D424,085 S	*	5/2000	Naito	D16/202
D430,187 S	*	8/2000	Naito	D16/218
D441,001 S	*	4/2001	Naito	D16/218
D483,783 S	*	12/2003	Yoshida	D16/202
D486,508 S	*	2/2004	Shimobayashi	D16/202
D494,200 S	*	8/2004	Hayamizu	D16/202
D494,611 S	*	8/2004	Nakamura	D16/202

6,788,894 B1 * 9/2004 Suzuki et al. 348/373

* cited by examiner

Primary Examiner—Adir Aronovich

(74) *Attorney, Agent, or Firm*—Hogan & Hartson LLP

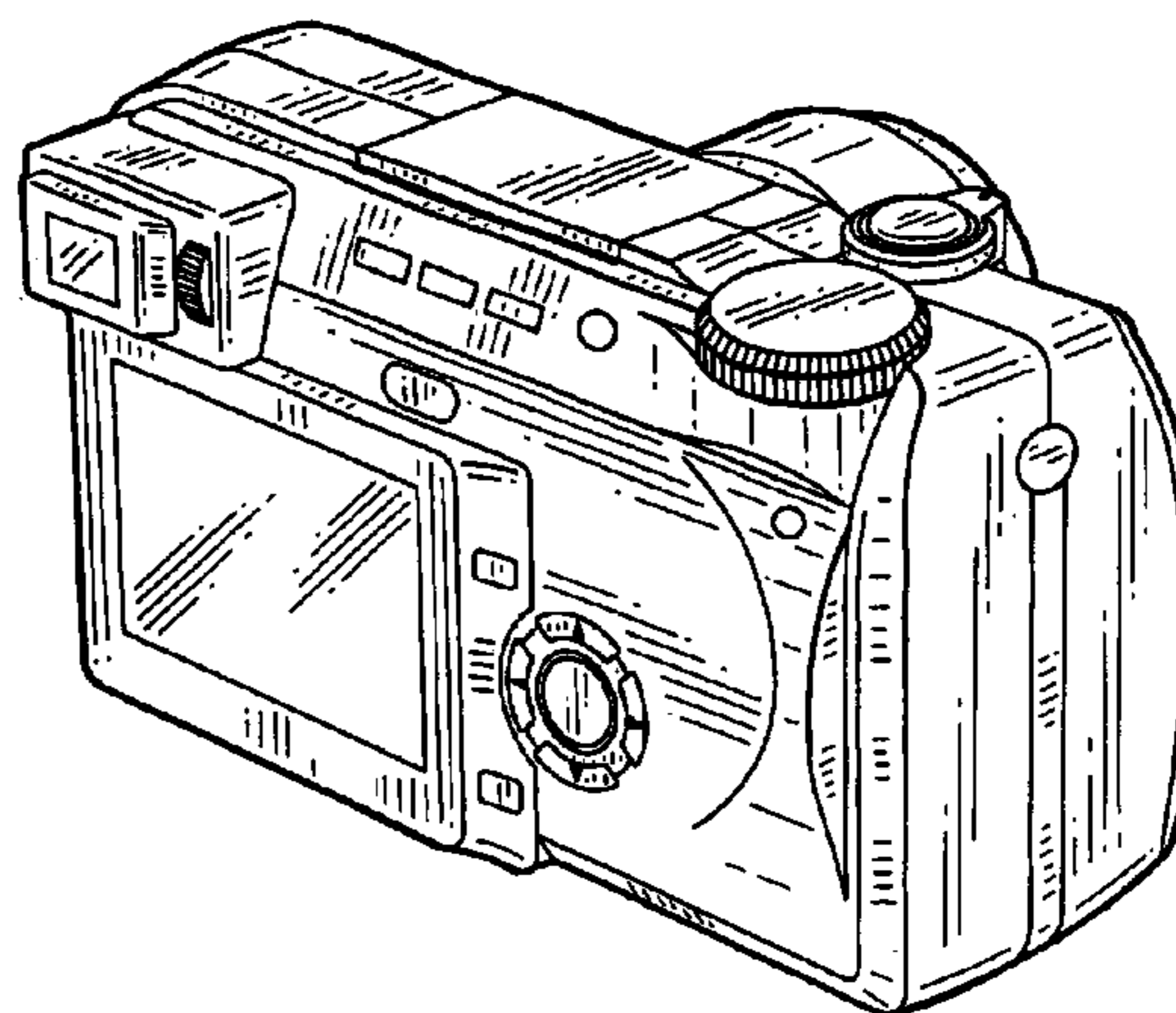
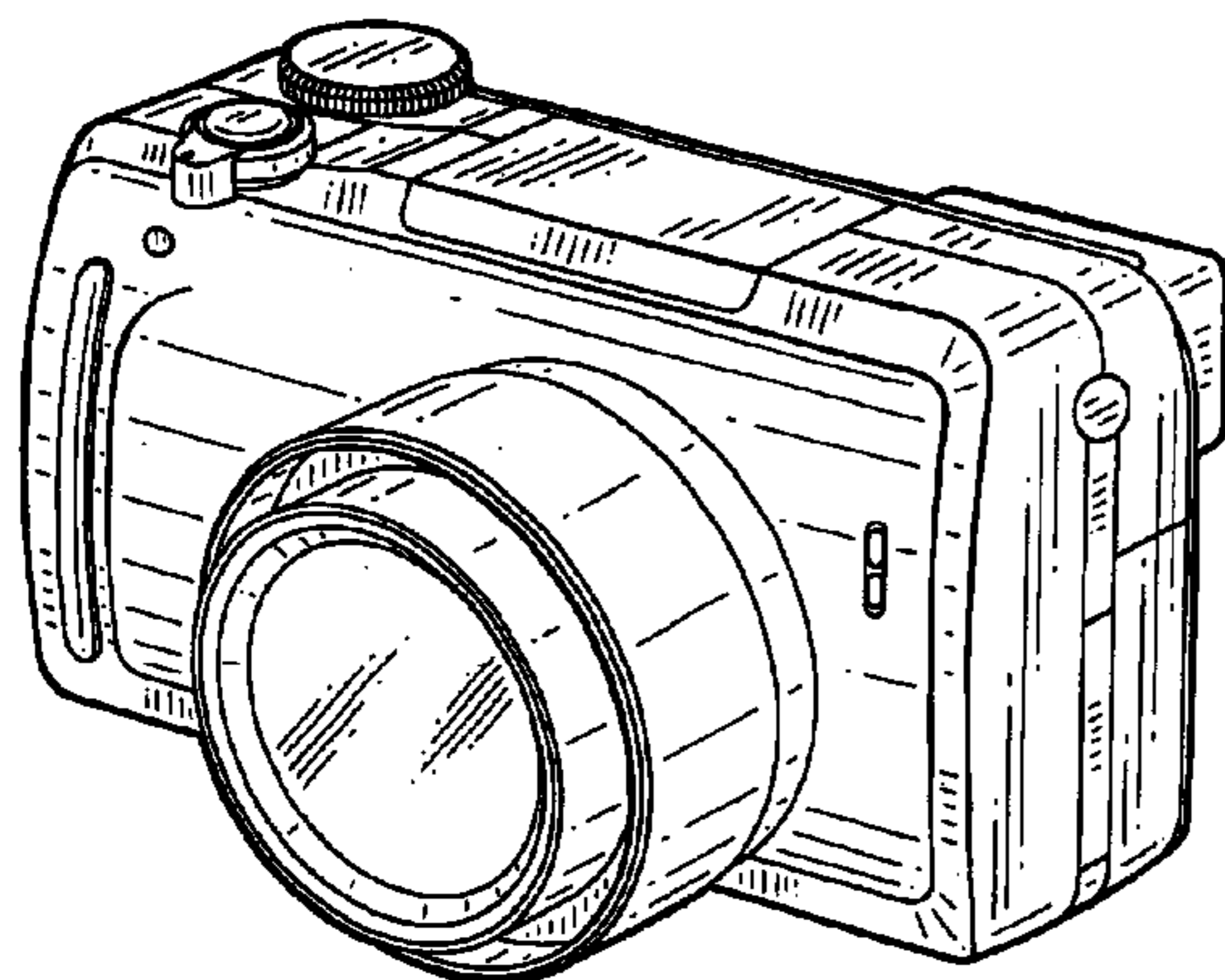
(57) **CLAIM**

The ornamental design for a digital camera, as shown and described.

DESCRIPTION

FIG. 1 is a front, top and right side perspective view of a digital camera, showing my new design;
 FIG. 2 is a rear, top and left side perspective view thereof;
 FIG. 3 is a top plan view of thereof;
 FIG. 4 is a front elevational view thereof;
 FIG. 5 is a right side elevational view thereof;
 FIG. 6 is a bottom plan view thereof;
 FIG. 7 is a left side elevational view thereof;
 FIG. 8 is a rear elevational view thereof;
 FIG. 9 is a top plan view thereof with an electronic flashing unit in an opened state;
 FIG. 10 a front elevational view thereof with the electronic flashing unit in an opened state; and,
 FIG. 11 is a right side elevational view thereof with the electronic flashing unit in an opened state.

1 Claim, 6 Drawing Sheets



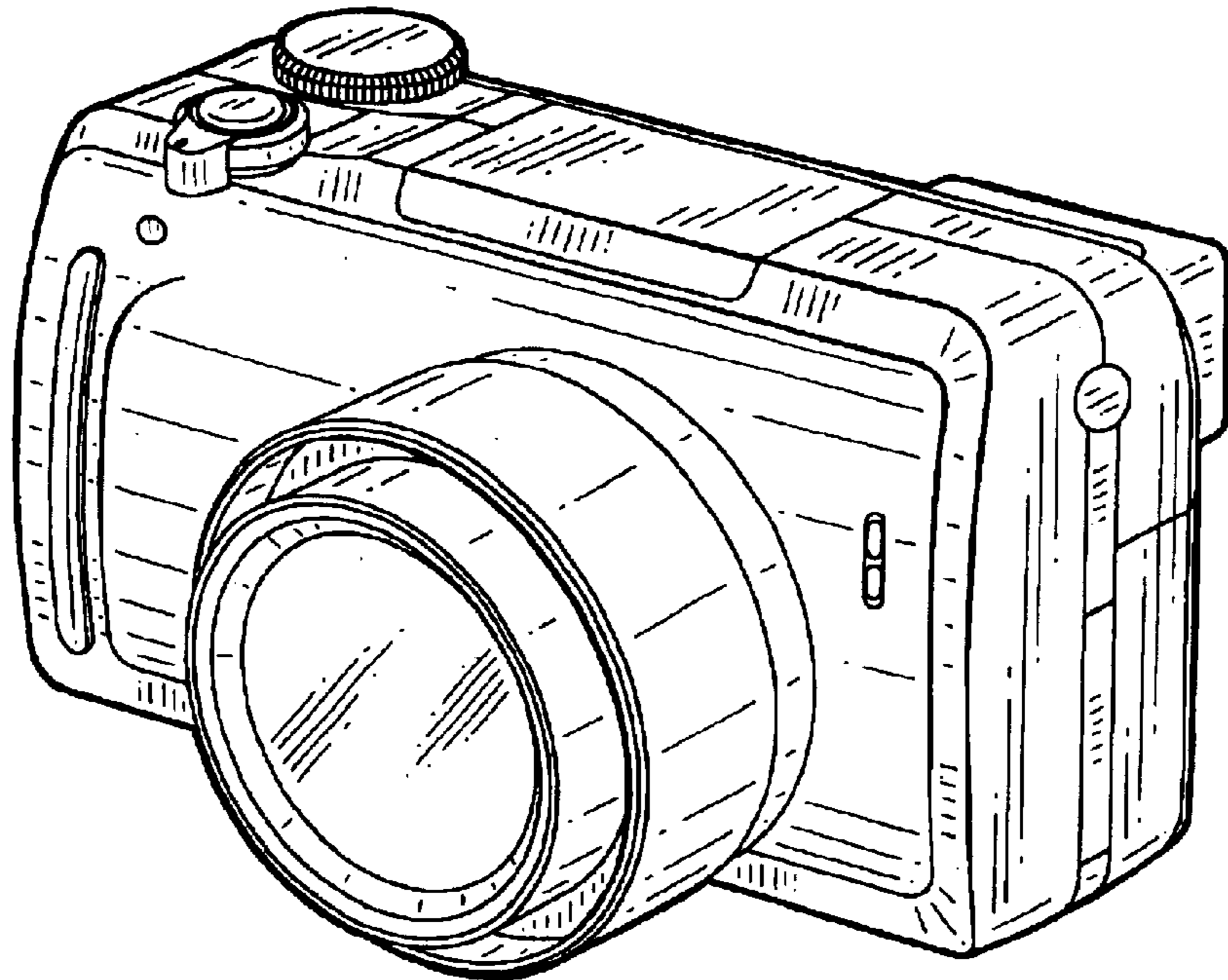


Fig. 1

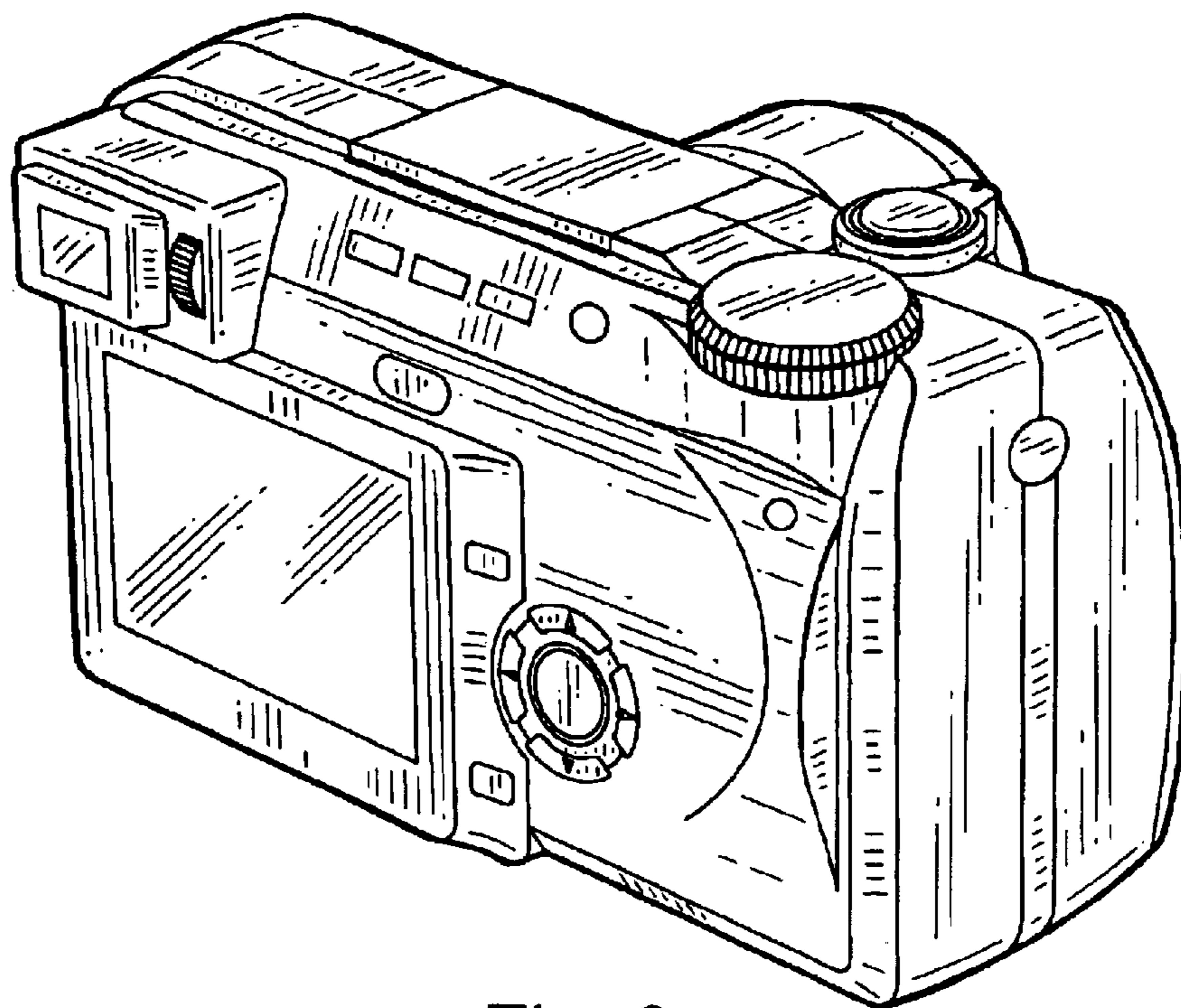


Fig. 2

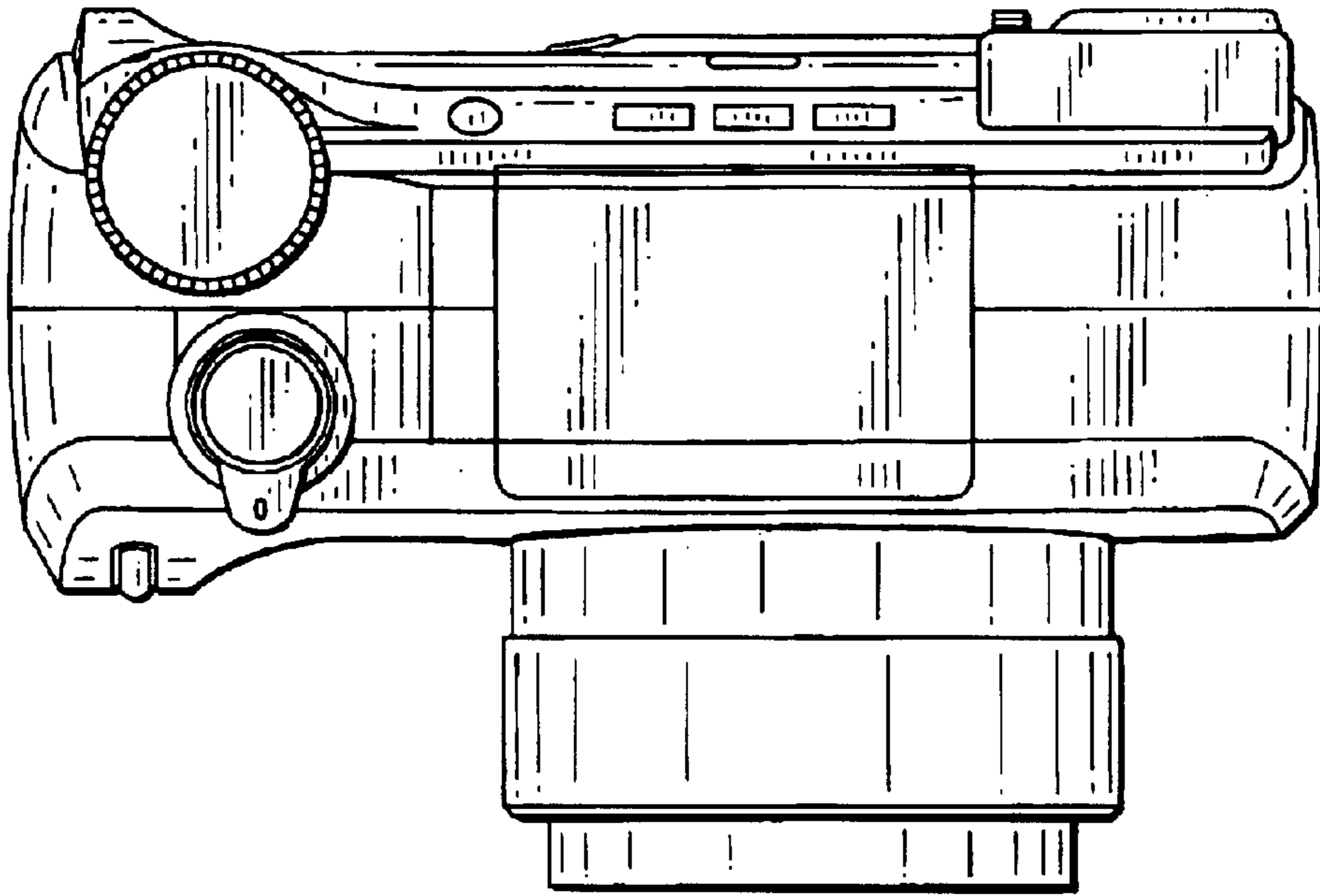


Fig. 3

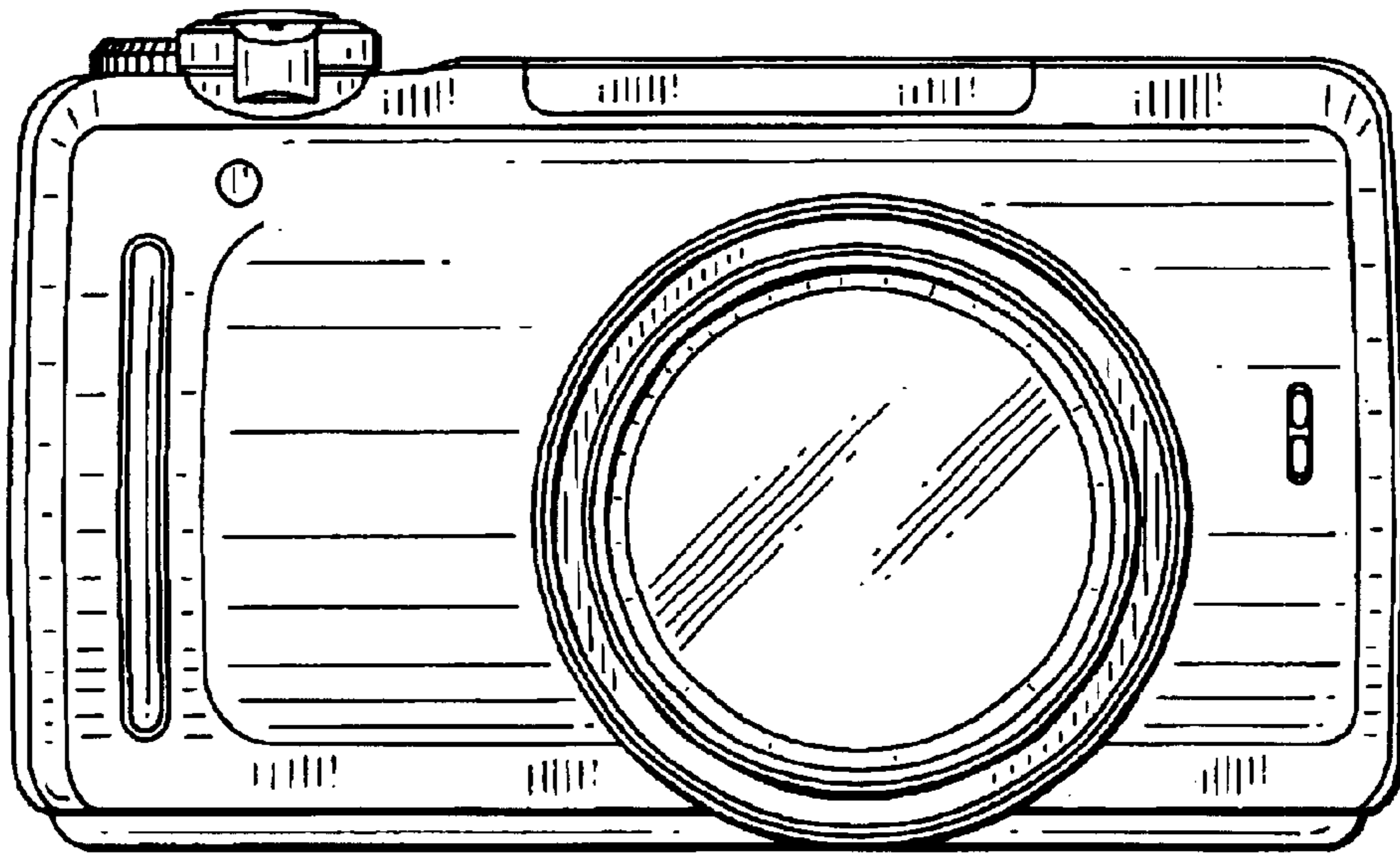


Fig. 4

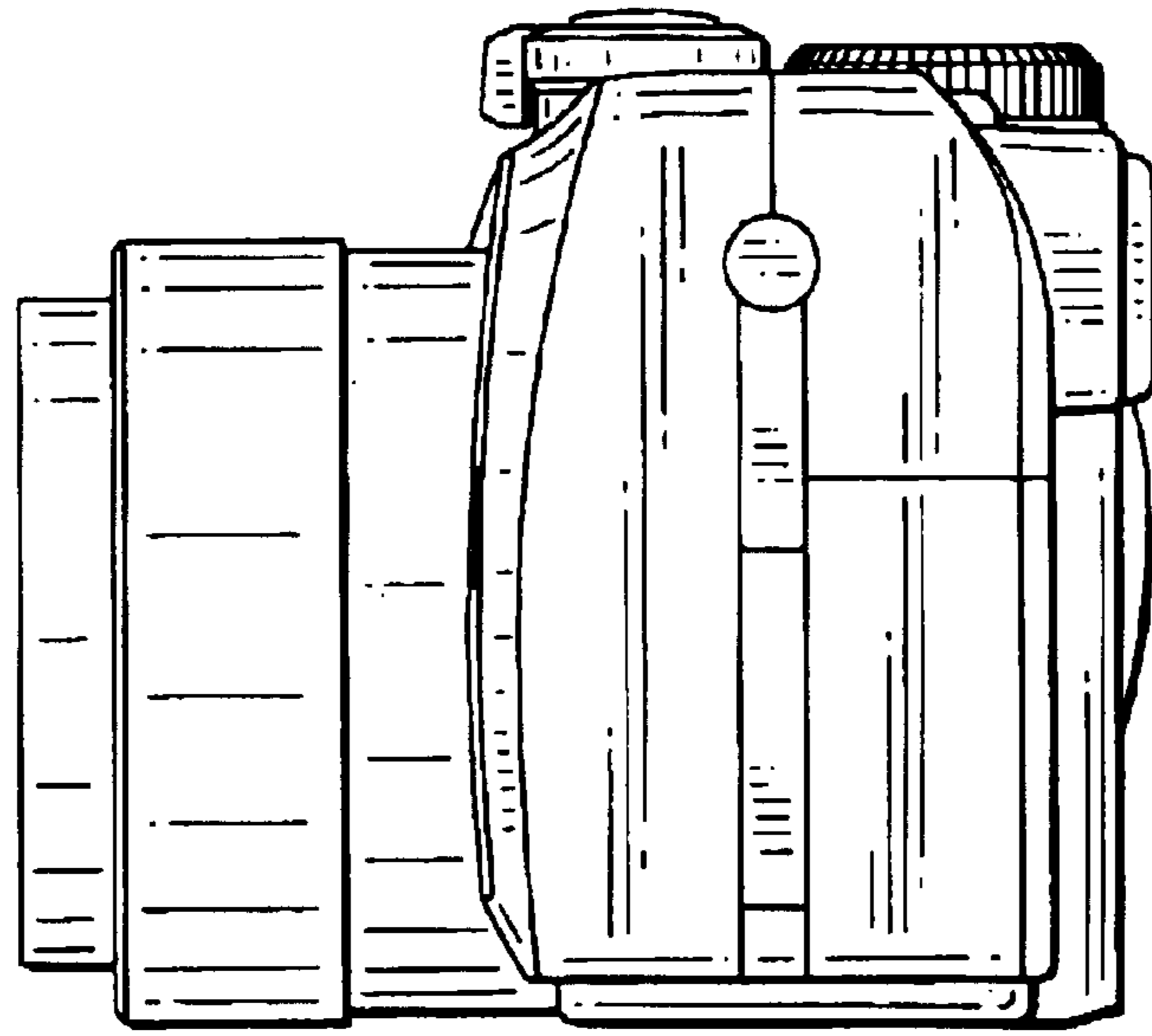


Fig. 5

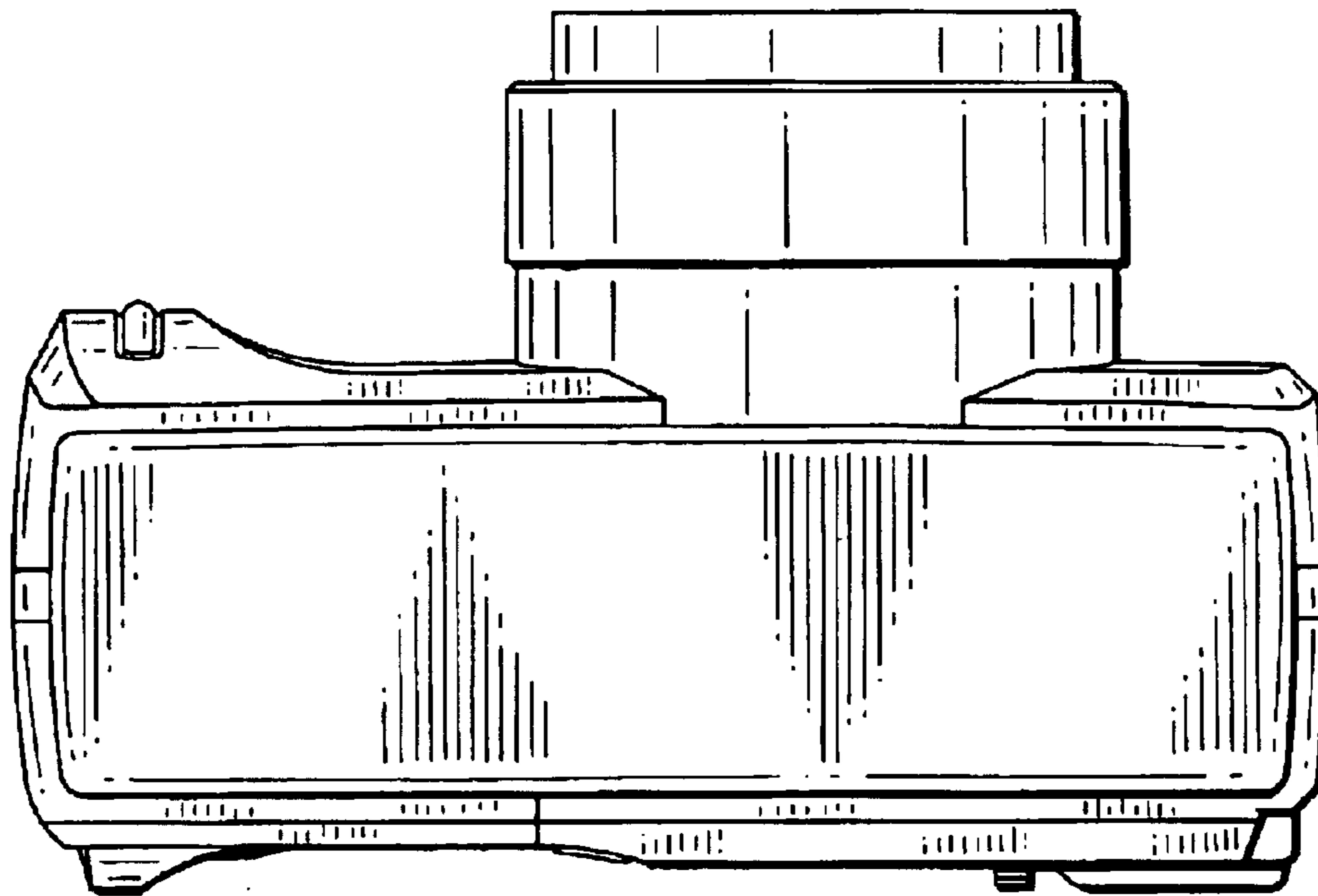


Fig. 6

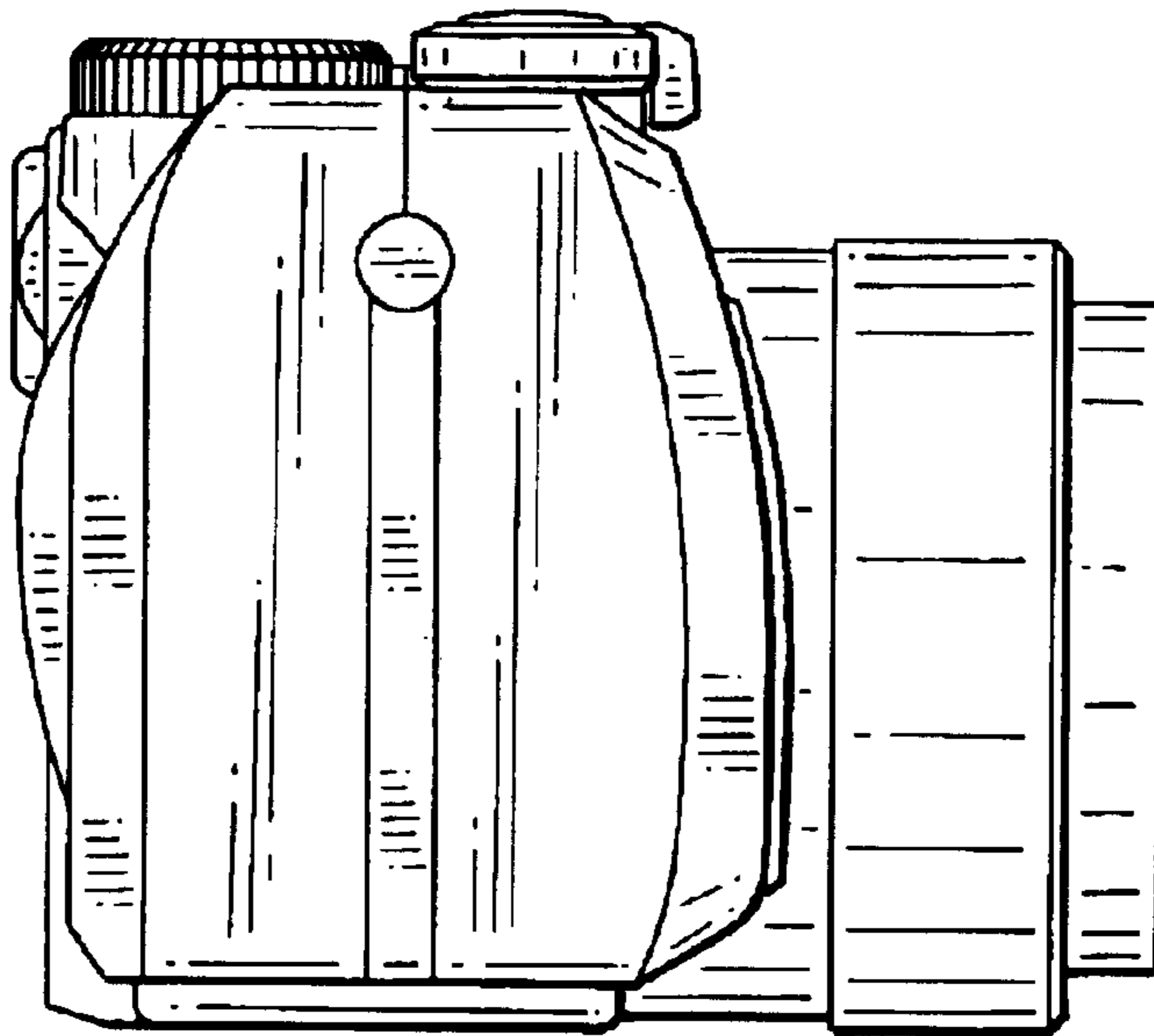


Fig. 7

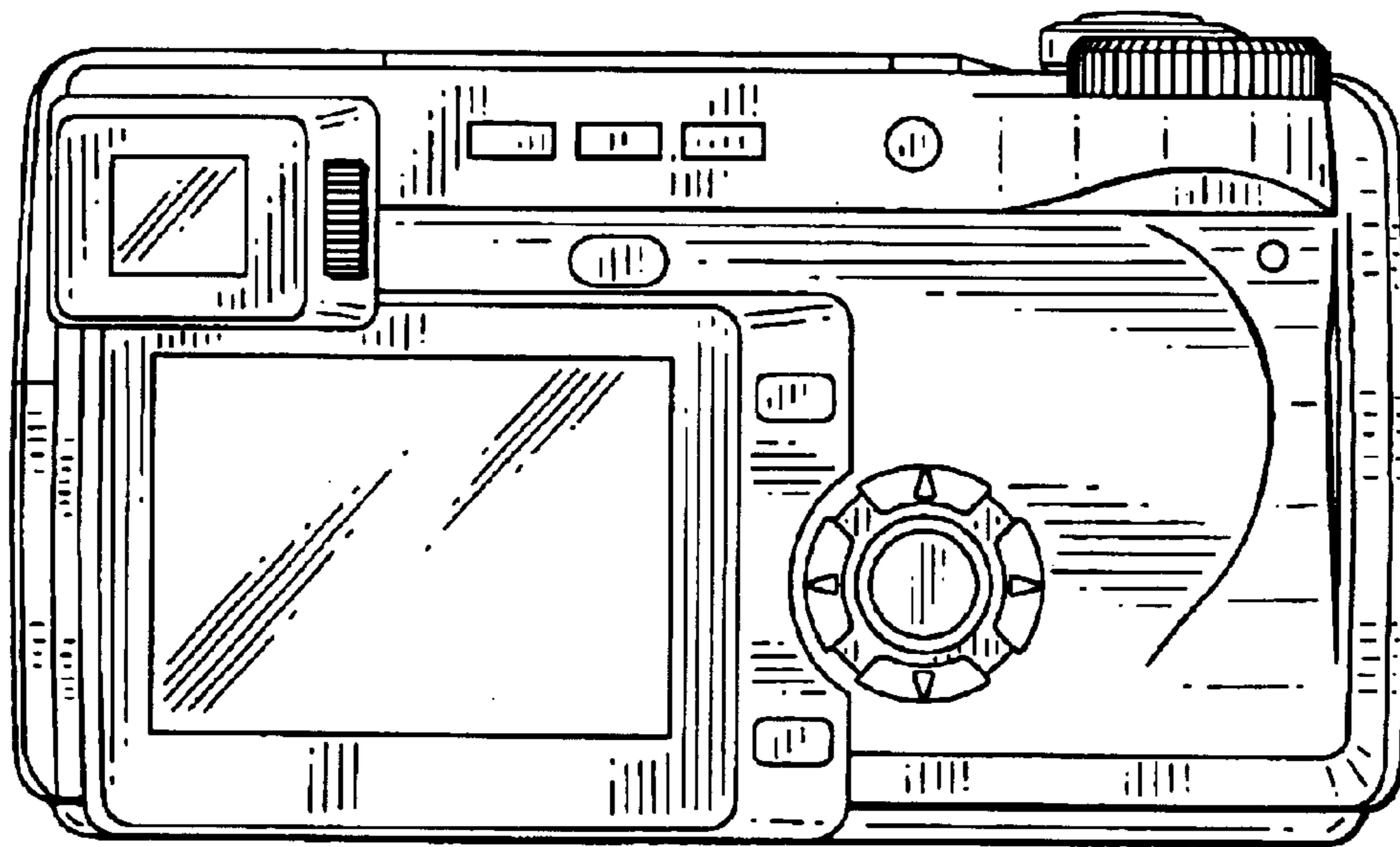


Fig. 8

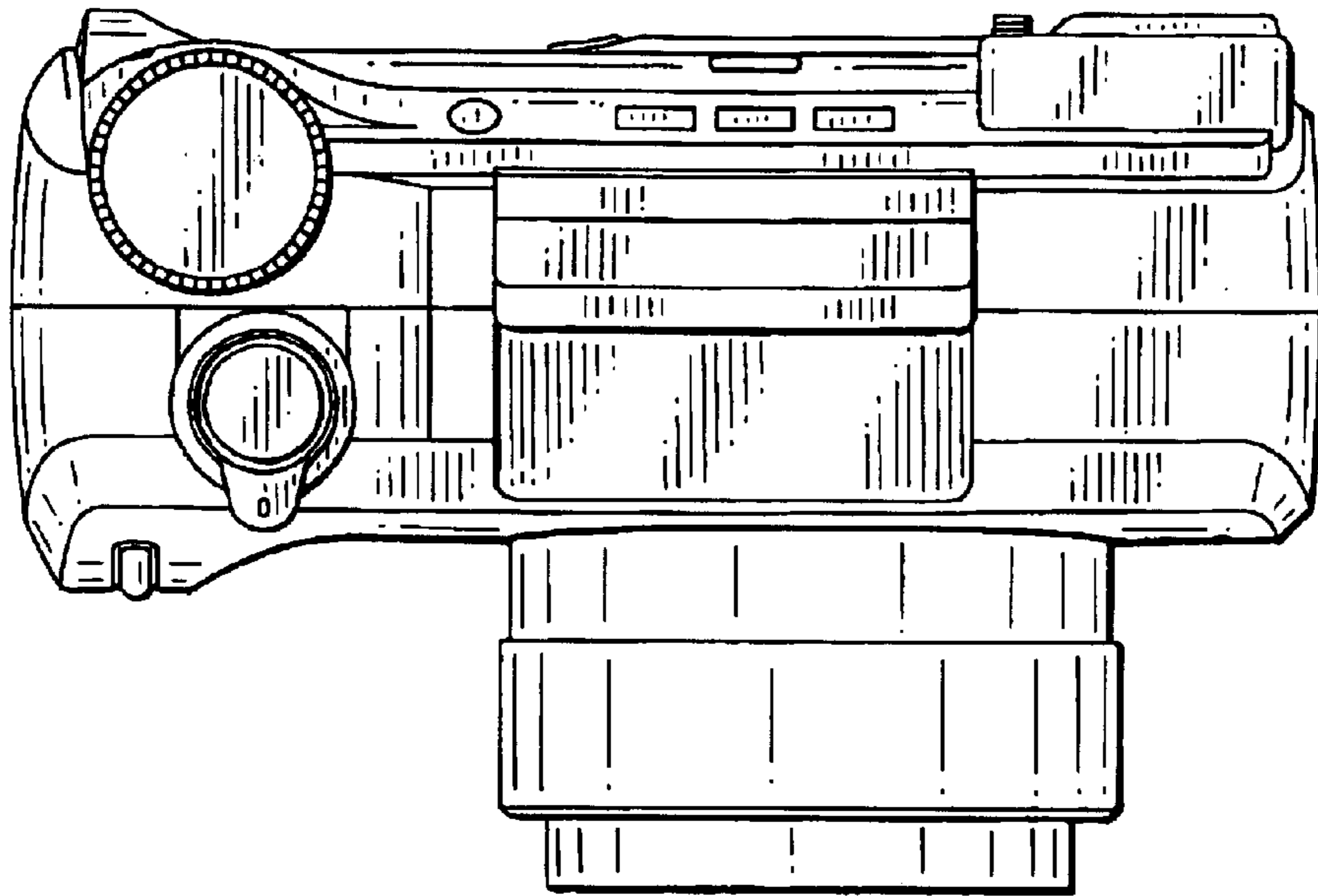


Fig. 9

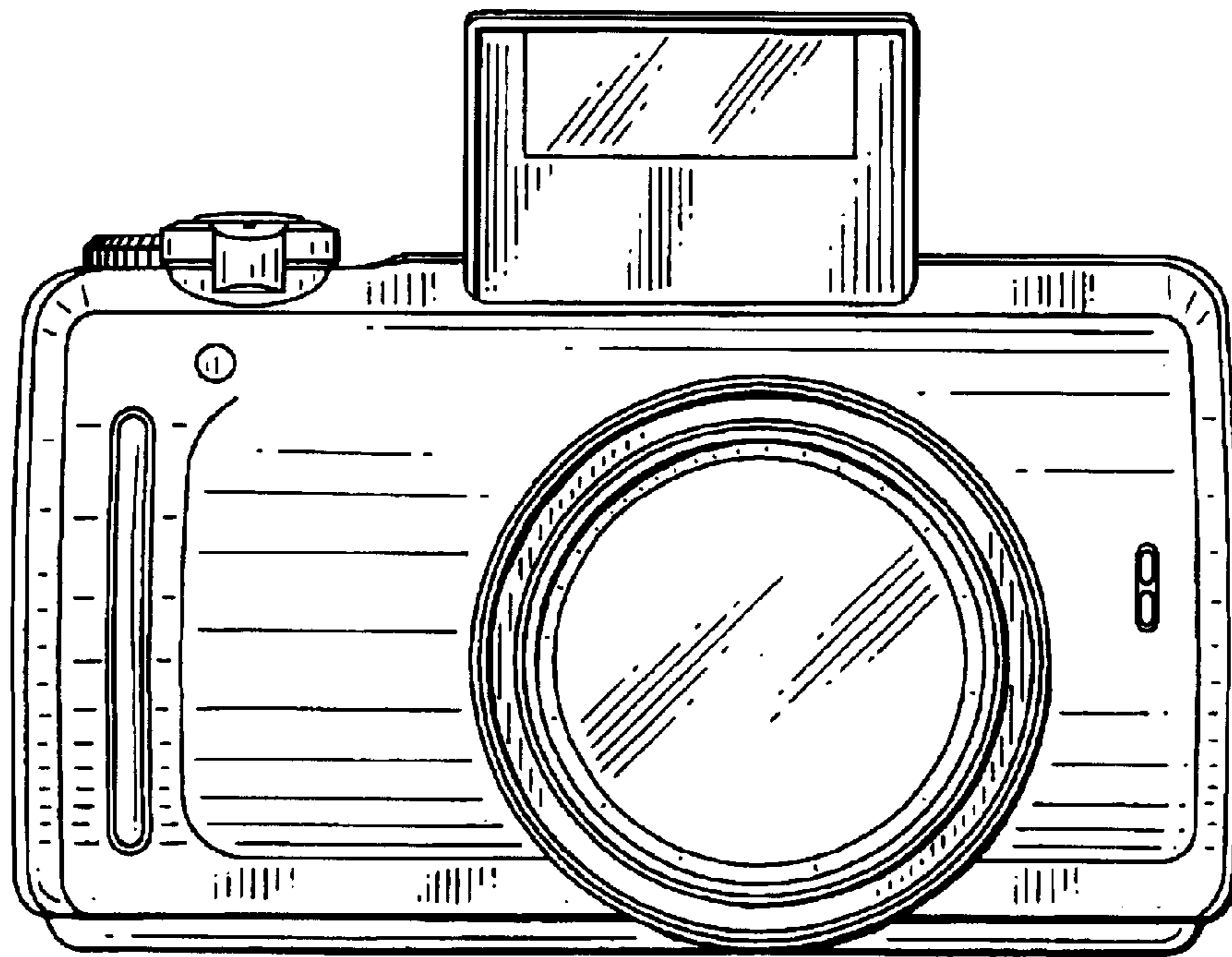


Fig. 10

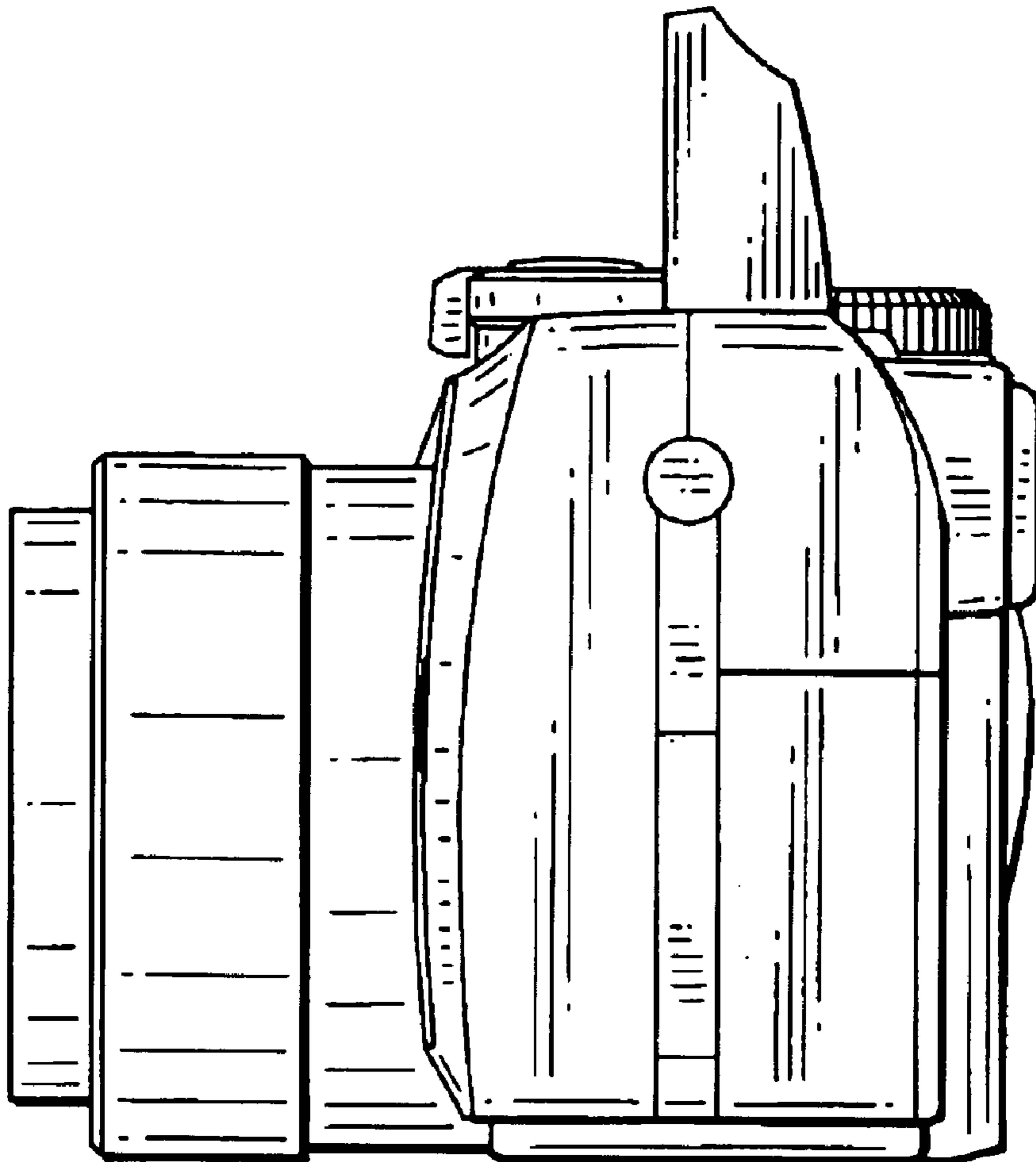


Fig. 11