

US00D504694S

(12) **United States Design Patent** (10) **Patent No.:** **US D504,694 S**
Dittmann et al. (45) **Date of Patent:** **** May 3, 2005**

(54) **APPARATUS FOR MELTING AND DISPENSING OF MATERIAL**

(75) Inventors: **Ralf Dittmann**, Melbek (DE); **Harald Meyer**, Betzendorf (DE); **Jirka Trhlik**, Frankfurt (DE); **Kay-Uwe Witte**, Offenbach (DE); **Kai Herda**, Hessen (DE)

(73) Assignee: **Nordson Corporation**, Westlake, OH (US)

(**) Term: **14 Years**

(21) Appl. No.: **29/194,012**

(22) Filed: **Nov. 18, 2003**

Related U.S. Application Data

(62) Division of application No. 29/177,991, filed on Mar. 19, 2003, now Pat. No. Des. 488,177.

Foreign Application Priority Data

Sep. 23, 2002 (DE) DM/061 510

(51) **LOC (7) Cl.** **15-09**

(52) **U.S. Cl.** **D15/144**

(58) **Field of Search** D15/144, 144.2, D15/144.3; 222/146.5; 219/687, 730, 759, 762

(56) **References Cited**

U.S. PATENT DOCUMENTS

D270,353 S	8/1983	Lewellen	D15/144
4,456,151 A	6/1984	Lewellen	222/146.5
D276,617 S	12/1984	Scholl et al.	D15/144
D360,422 S	7/1995	Frates et al.	D15/144
D425,530 S	5/2000	Lafitte	D15/144

OTHER PUBLICATIONS

Airprint Systems, Inc., *NCG Hotmelt Equipment*, Brochure, 2 pgs., undated.

Valco Cincinnati, *The Valco Hot Melt System*, 3 pgs., undated.

ITW Dynatec, *Packaging Newslines*, Brochure, 2 pgs., undated.

Slautterback, *Hotmelt Applicator Systems*, Brochure, 18 pgs., 1996.

Nordson Corporation, *1996 Adhesives and Sealants Equipment Catalog*, 1996, pp. 1-1 to 1-84, 2-i to 2-0; and 13-20.

Primary Examiner—Antoine D. Davis

(74) *Attorney, Agent, or Firm*—Wood, Herron & Evans, L.L.P.

(57) **CLAIM**

The ornamental design for an apparatus for melting and dispensing of material, as shown and described.

DESCRIPTION

FIG. 1 is a front perspective view of the apparatus for melting and dispensing of material.

FIG. 2 is a front elevational view of the apparatus for melting and dispensing of material.

FIG. 3 is a right side view of the apparatus for melting and dispensing of material.

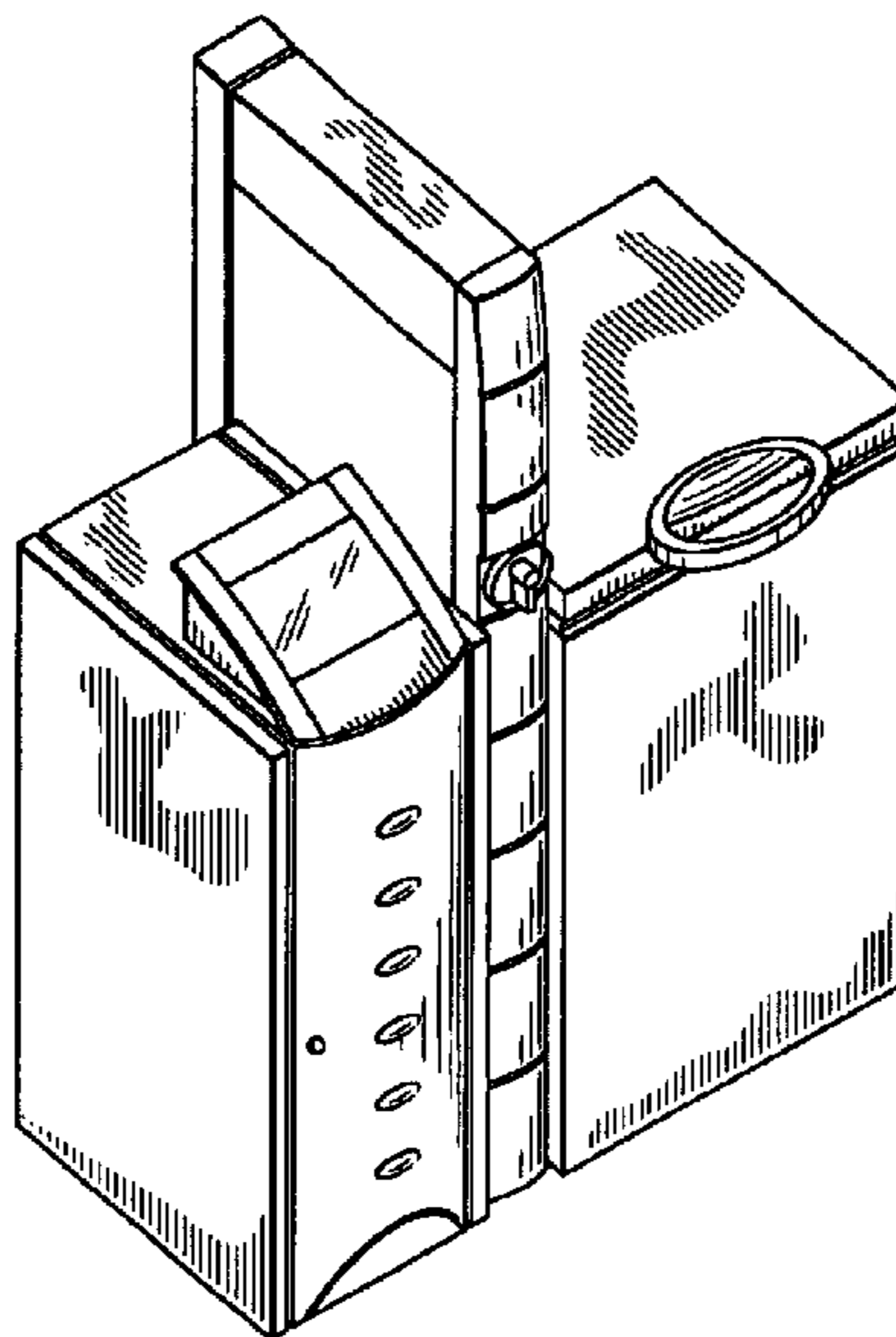
FIG. 4 is a rear elevational view of the apparatus for melting and dispensing of material.

FIG. 5 is a left side view of the apparatus for melting and dispensing of material.

FIG. 6 is a top view of the apparatus for melting and dispensing of material; and,

FIG. 7 is a bottom view of the apparatus for melting and dispensing of material.

1 Claim, 2 Drawing Sheets



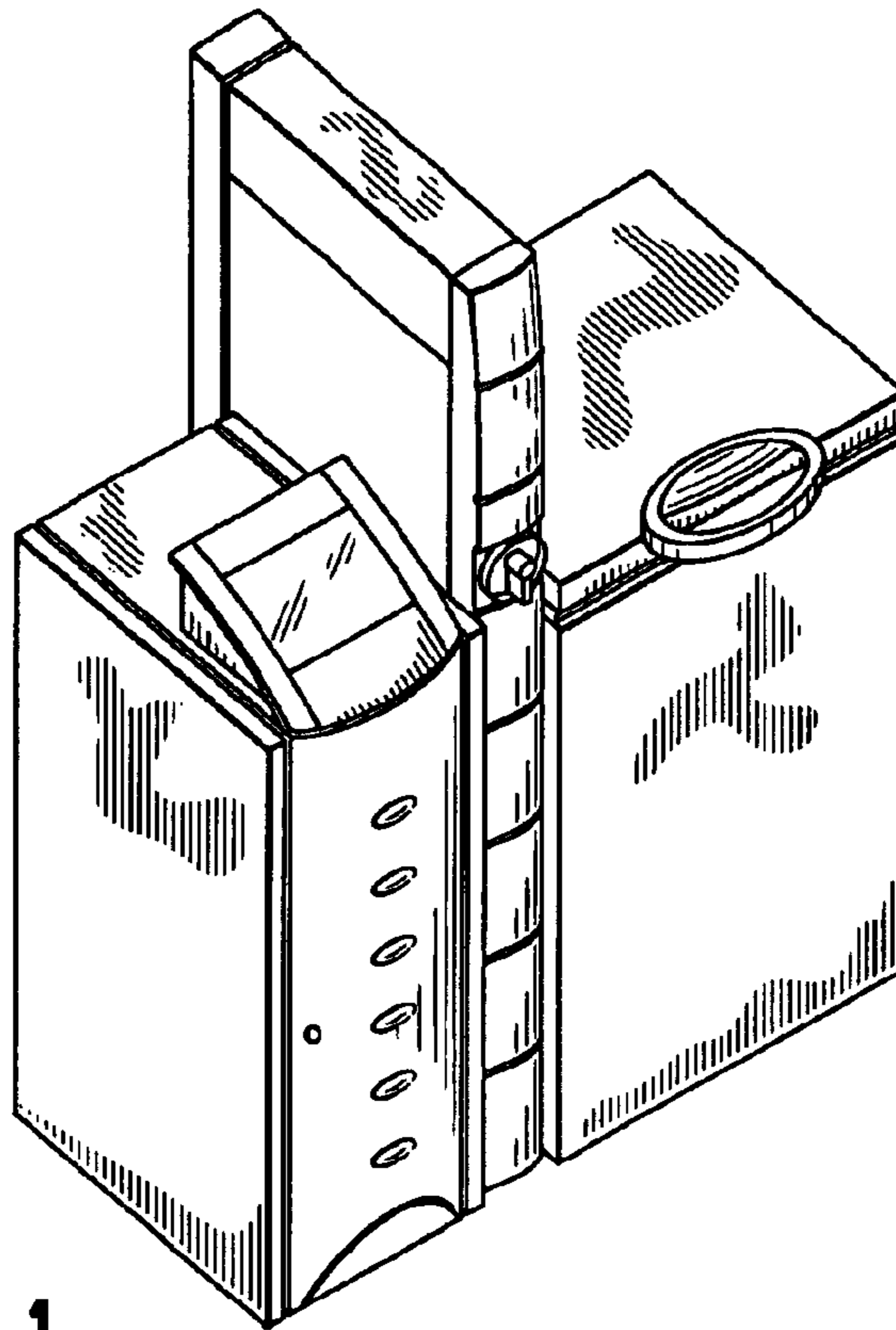


FIG. 1

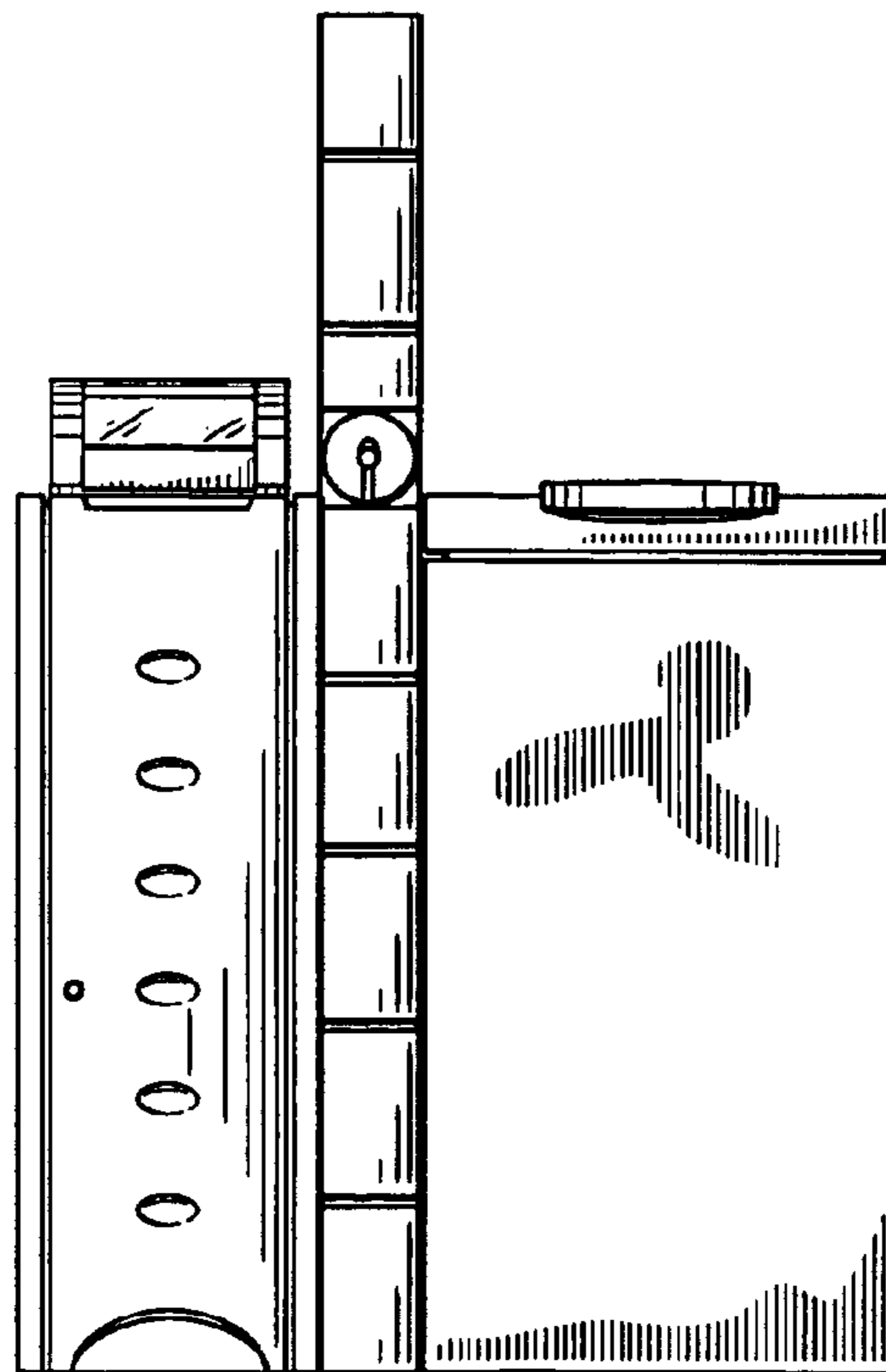


FIG. 2

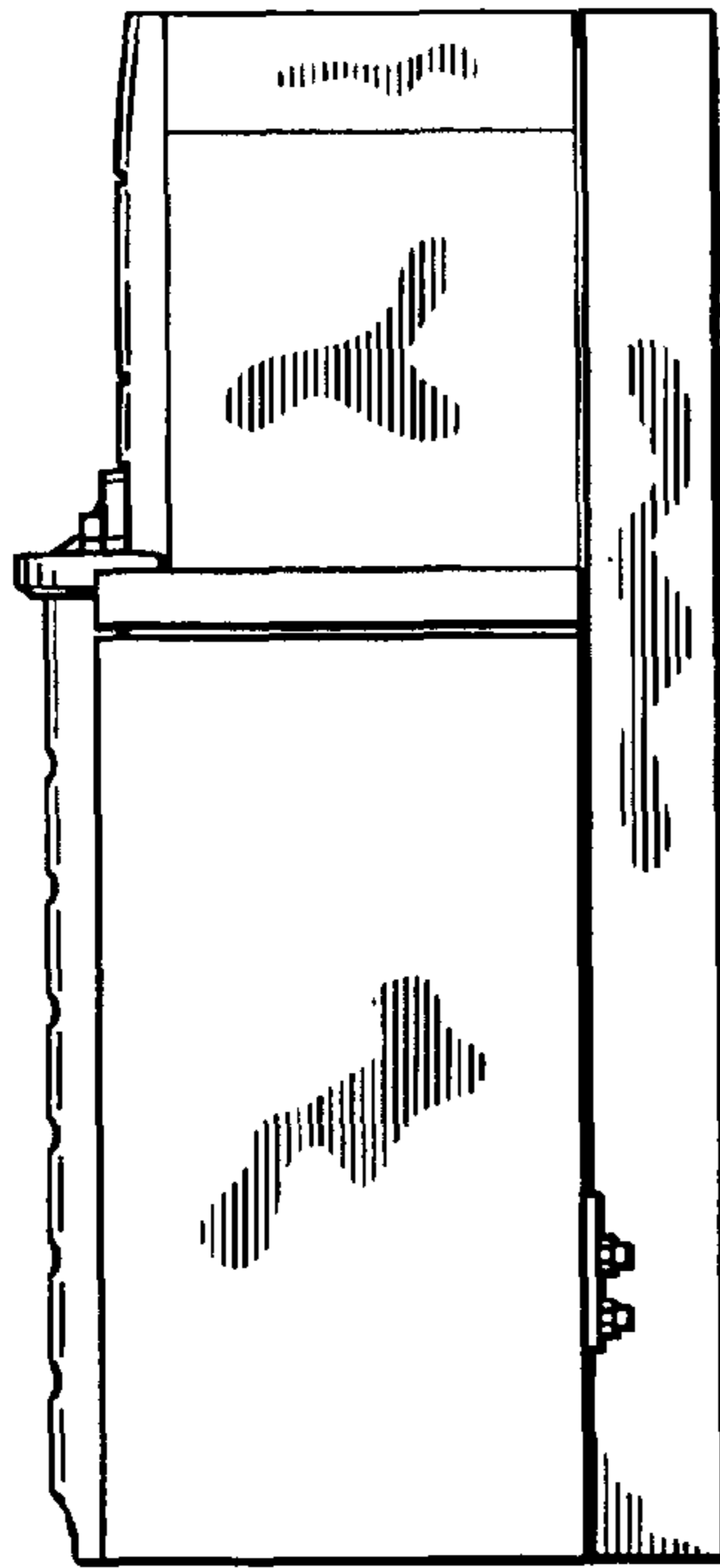


FIG. 3

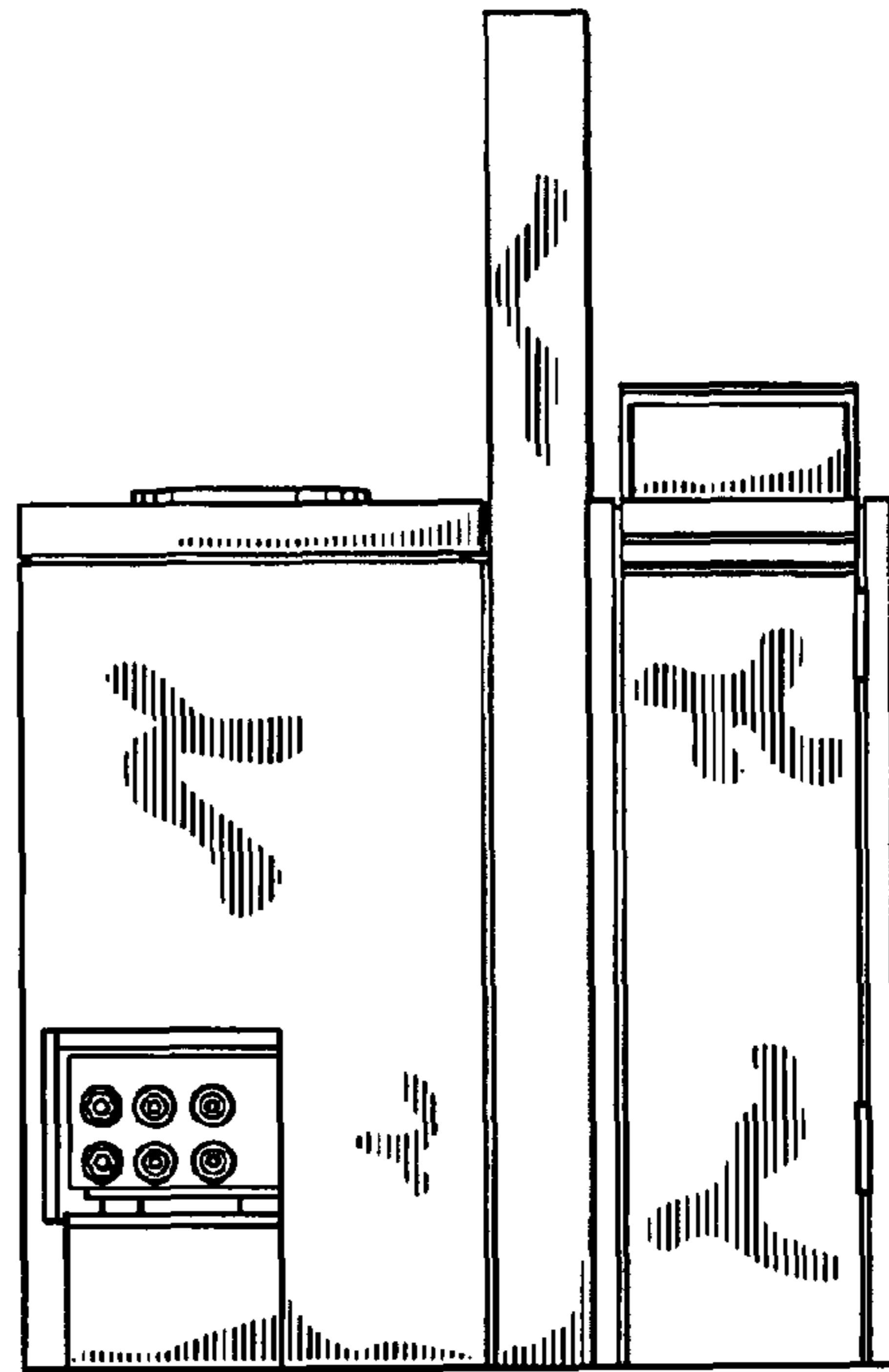


FIG. 4

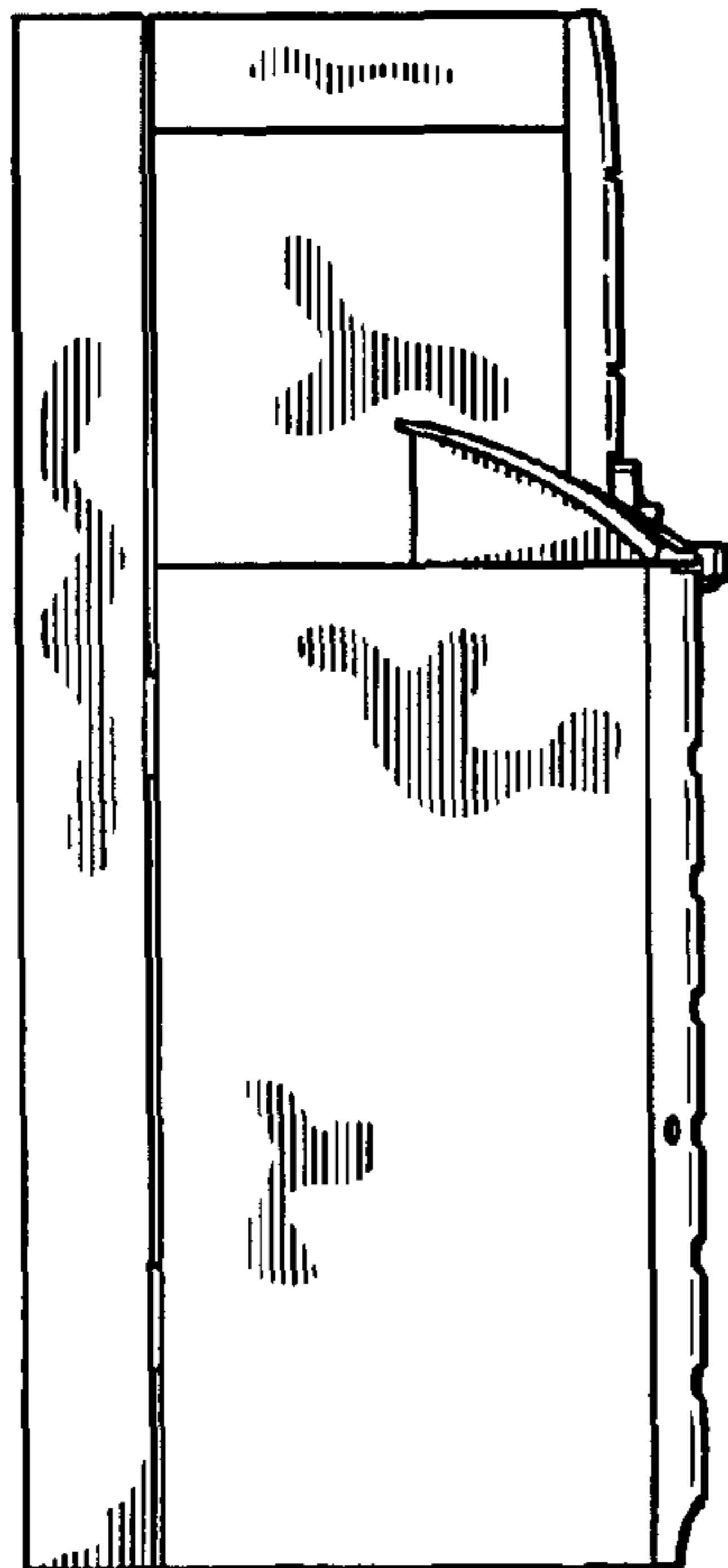


FIG. 5

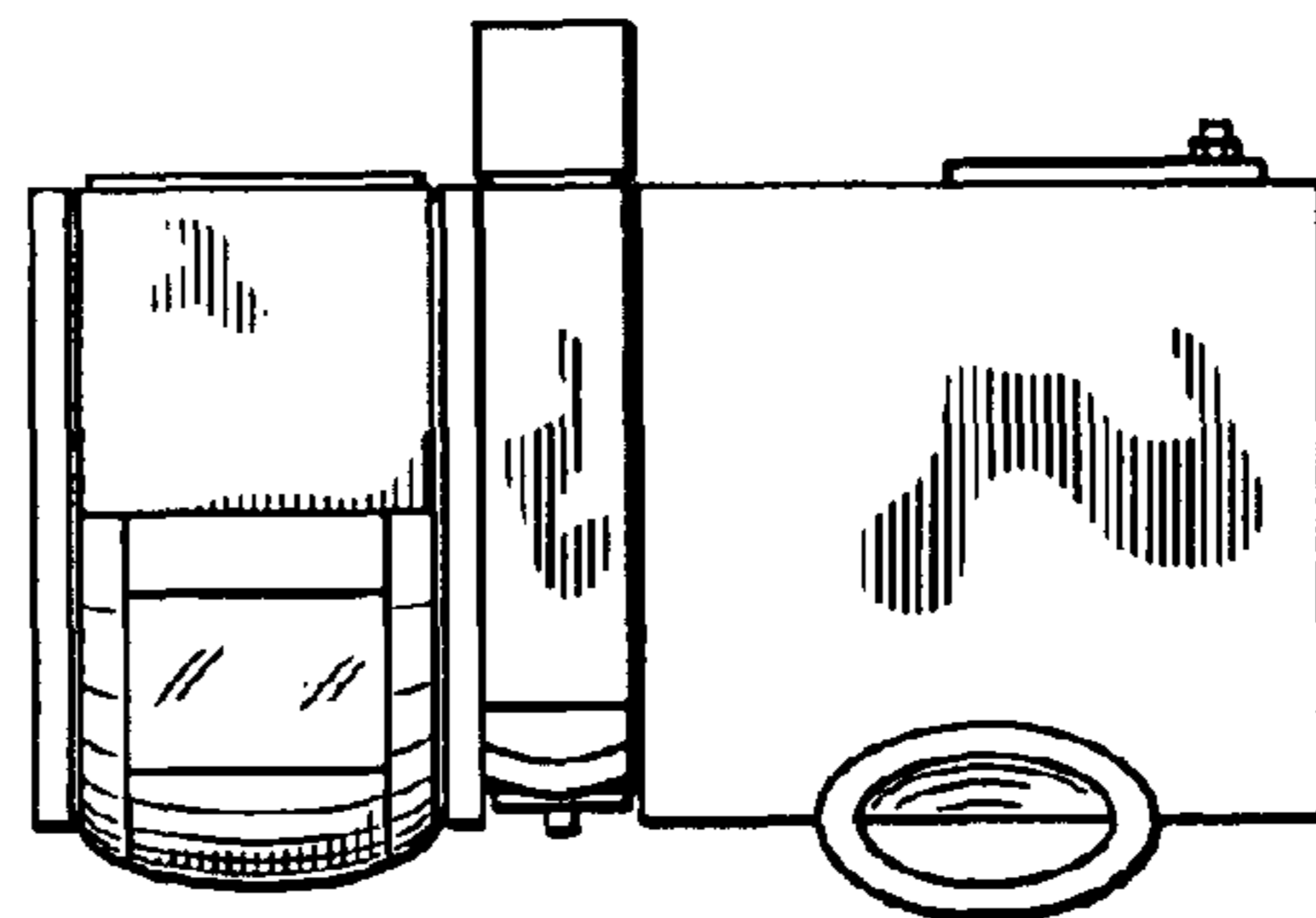


FIG. 6

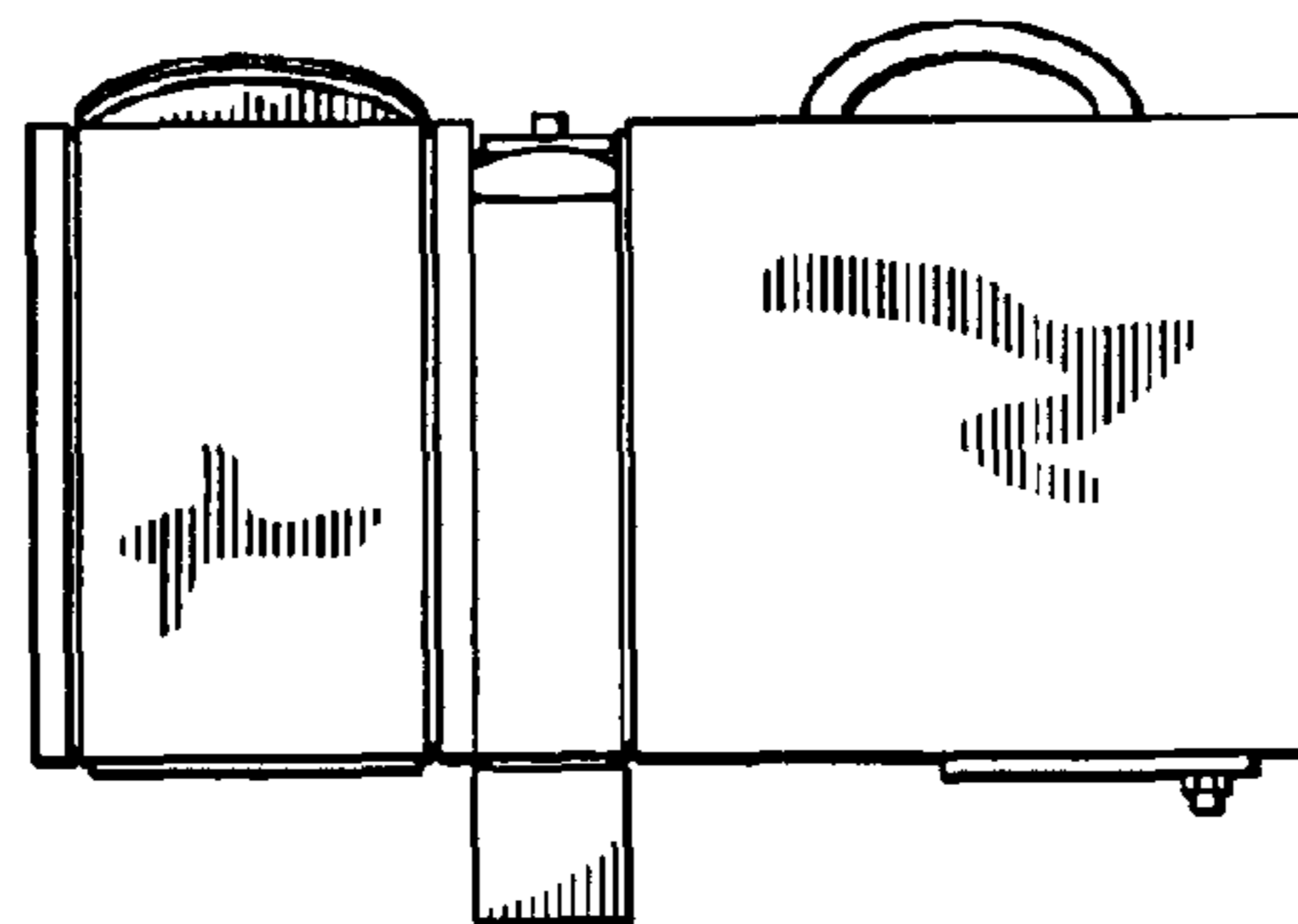


FIG. 7