

US00D504693S

(12) **United States Design Patent**
Kazama

(10) **Patent No.:** **US D504,693 S**

(45) **Date of Patent:** **** May 3, 2005**

(54) **ROTARY GRINDING STONE**

(75) Inventor: **Kenichi Kazama**, Kamiminouchi-gun
(JP)

(73) Assignee: **Shinano Electric Refining Co., Ltd.**,
Tokyo (JP)

(**) Term: **14 Years**

(21) Appl. No.: **29/171,336**

(22) Filed: **Nov. 21, 2002**

(51) **LOC (7) Cl.** **15-09**

(52) **U.S. Cl.** **D15/126**

(58) **Field of Search** D15/126; 451/496,
451/498, 464, 508, 526-533, 443.56, 548,
541-547, 550

(56) **References Cited**

U.S. PATENT DOCUMENTS

D324,525 S * 3/1992 Baker et al. D15/126

OTHER PUBLICATIONS

Japanese Publication dated Dec. 2, 1998.

* cited by examiner

Primary Examiner—Antoine Duval Davis

(74) *Attorney, Agent, or Firm*—Morgan, Lewis & Bockius
LLP

(57) **CLAIM**

The ornamental design for a rotary grinding stone, as shown
and described.

DESCRIPTION

FIG. 1 is a perspective view of a first embodiment of a rotary
grinding stone having a centrally disposed hole according to
the new design.

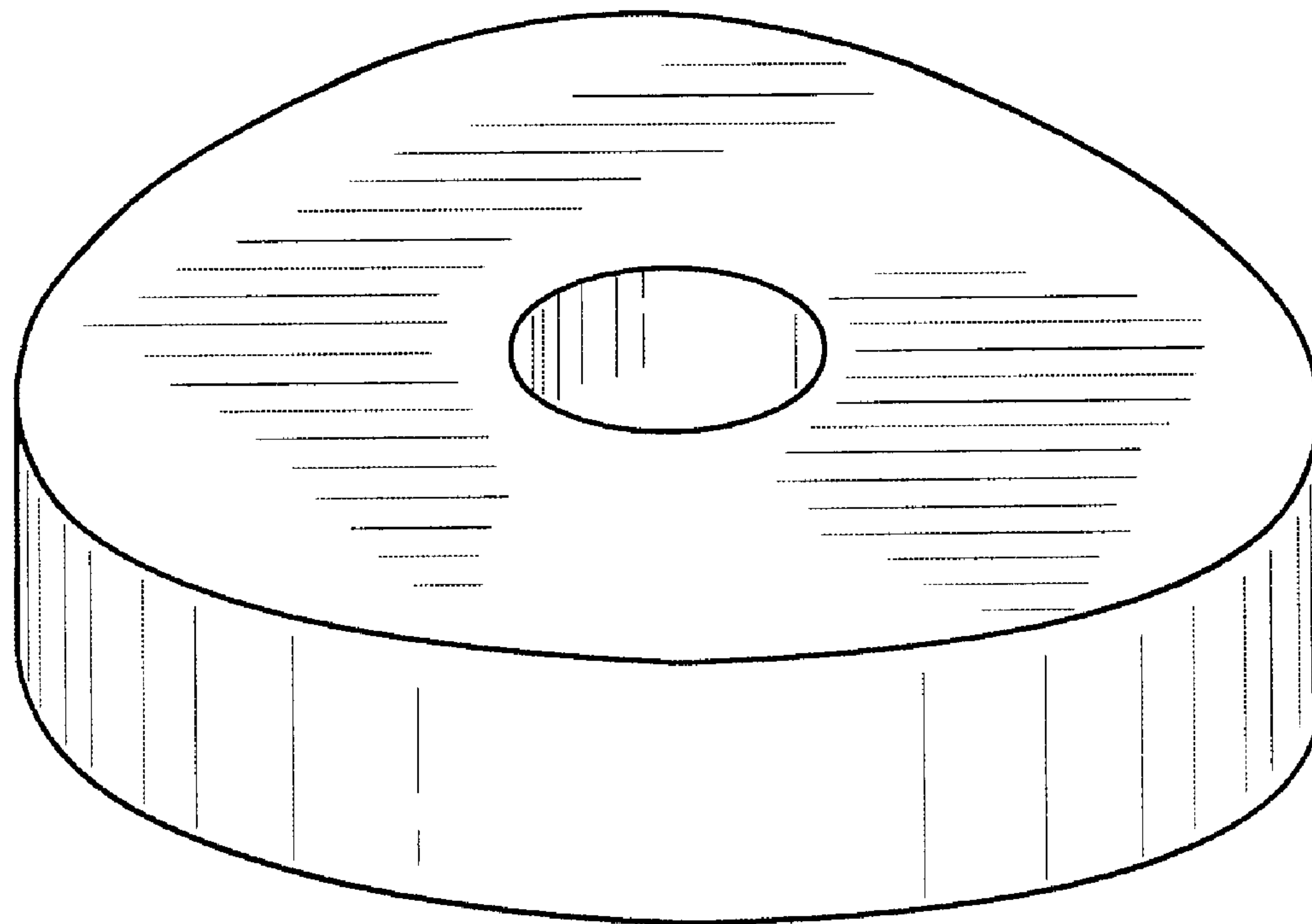
FIG. 2 is a top view of the rotary grinding stone of FIG. 1,
the bottom view being a mirror image thereof;

FIG. 3 is a right side view of the rotary grinding stone of
FIG. 1, the left side view being a mirror image thereof;

FIG. 4 is a front view of the rotary grinding stone of FIG. 1,
the rear view being a mirror image thereof; and,

FIG. 5 is a cross-sectional view of the rotary grinding stone
of FIG. 2 taken at section 5—5.

1 Claim, 2 Drawing Sheets



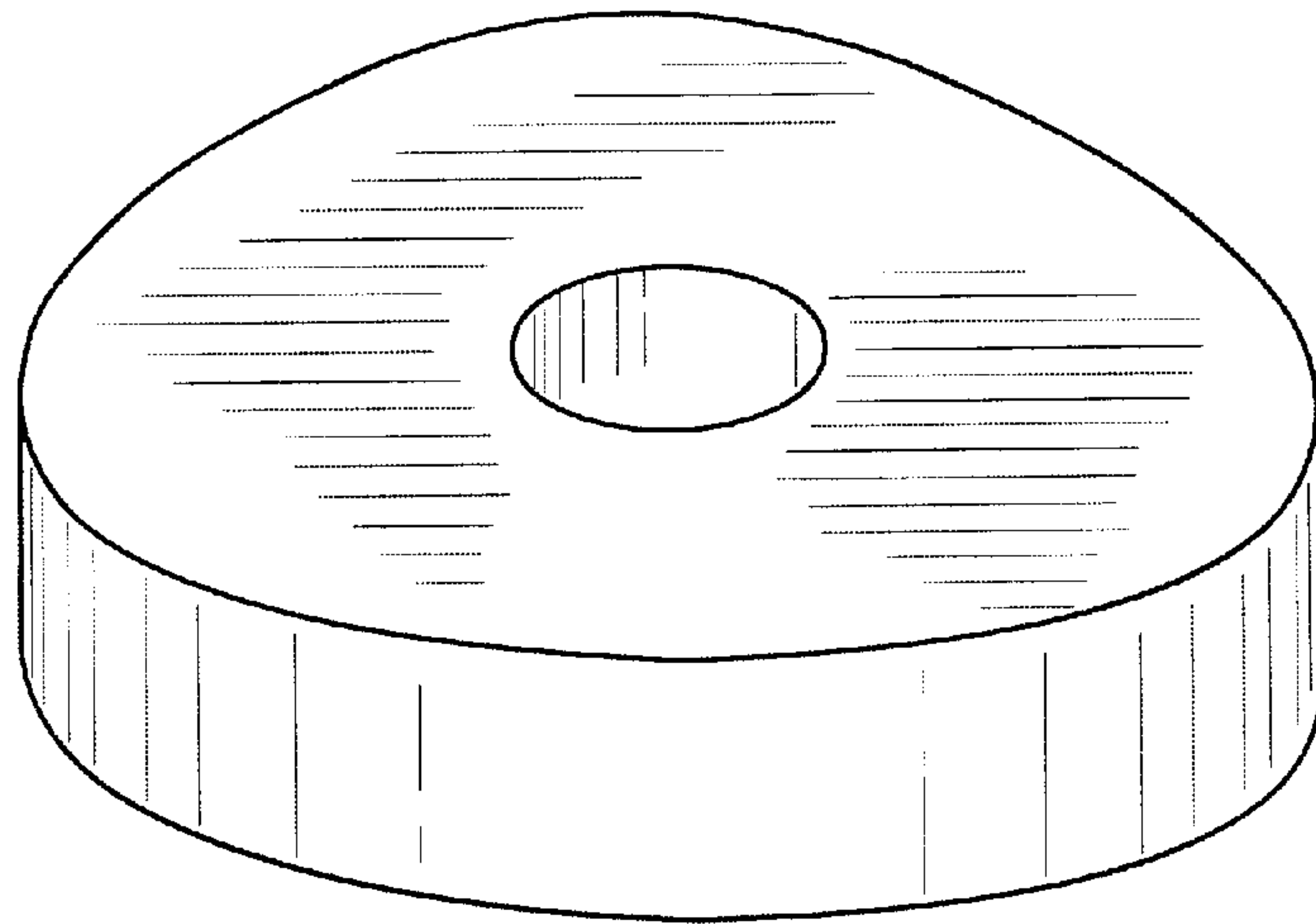


FIG. 1

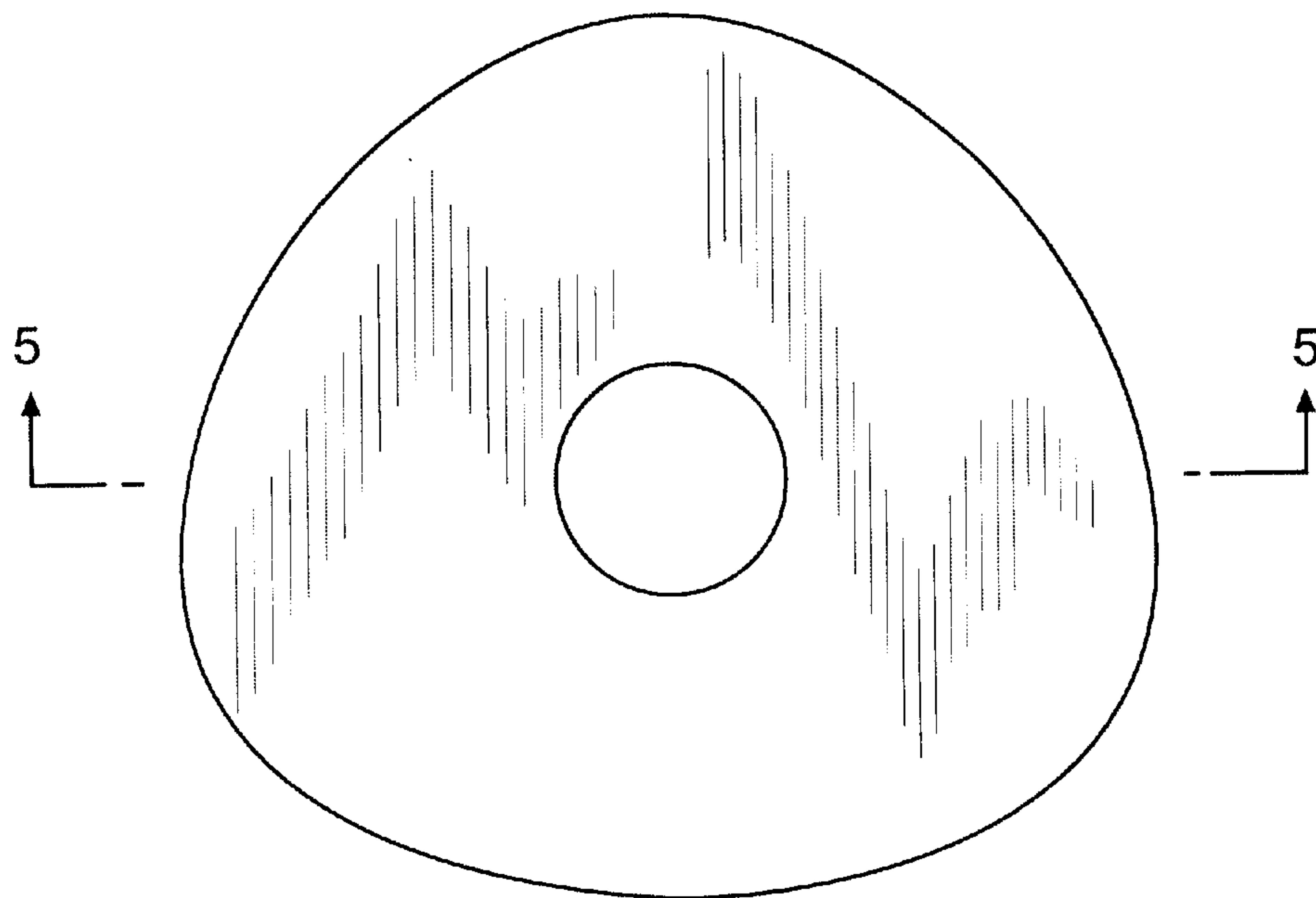


FIG. 2

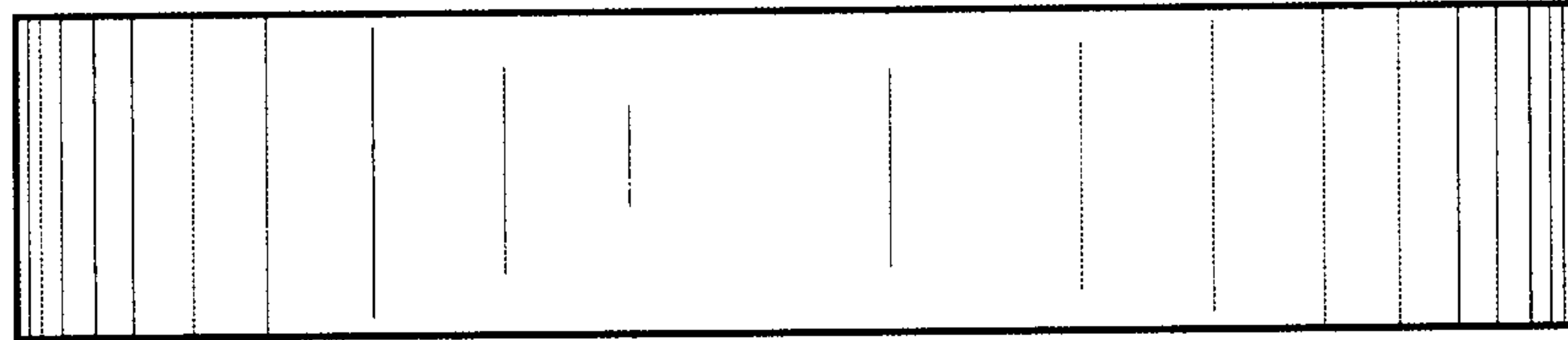


FIG. 3

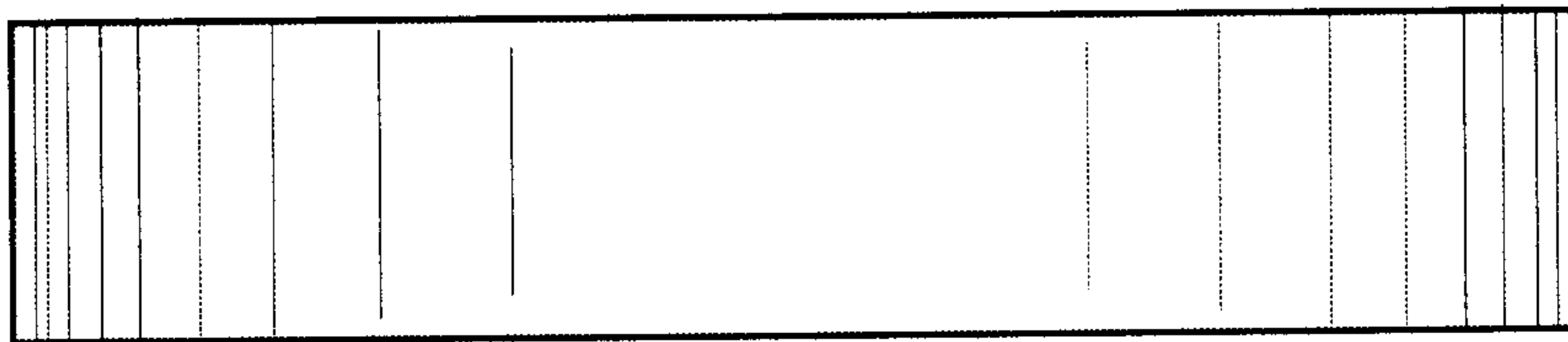


FIG. 4

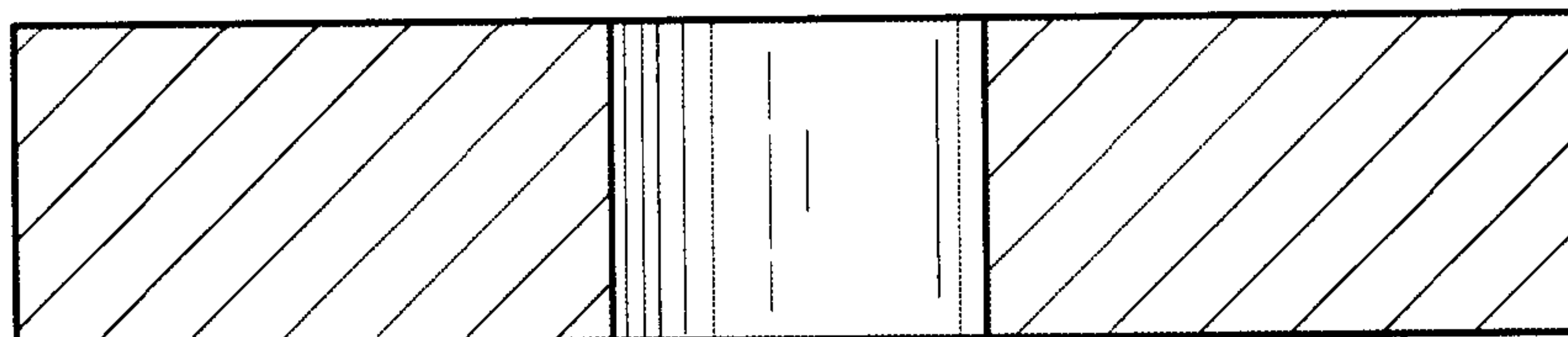


FIG. 5