

US00D504689S

(12) **United States Design Patent** (10) **Patent No.:** **US D504,689 S**
Kojima et al. (45) **Date of Patent:** **** May 3, 2005**

(54) **DISC CARTRIDGE**

(75) Inventors: **Akira Kojima**, Tokyo (JP); **Tomomi Okamoto**, Kanagawa-Ken (JP); **Jun Ooya**, Ibaraki-ken (JP); **Shiro Hayashi**, Ibaraki-ken (JP)

(73) Assignees: **Hitachi, Ltd.**, Tokyo (JP); **Hitachi Maxell, Ltd.**, Osaka (JP)

(**) Term: **14 Years**

(21) Appl. No.: **29/183,933**

(22) Filed: **Jun. 20, 2003**

(30) **Foreign Application Priority Data**

Dec. 26, 2002 (JP) 2002-036088

(51) **LOC (7) Cl.** **14-99**

(52) **U.S. Cl.** **D14/478**

(58) **Field of Search** D14/432-3, 435, D14/478-80; D6/626-7, 407; 360/60, 129, 132-3, 135, 97.01-99.12; 206/312, 307, 308.1, 308.2, 472; 369/291, 273, 77.2

(56) **References Cited**

U.S. PATENT DOCUMENTS

D469,103 S	*	1/2003	Nakata et al.	D14/478
D473,874 S	*	4/2003	Taniguchi et al.	D14/435
D473,875 S	*	4/2003	Taniguchi et al.	D14/435
D474,184 S	*	5/2003	Taniguchi et al.	D14/435
D474,777 S	*	5/2003	Niitsu	D14/478
D488,817 S	*	4/2004	Wadsworth et al.	D14/478

* cited by examiner

Primary Examiner—M. H. Tung
(74) *Attorney, Agent, or Firm*—Antonelli, Terry, Stout & Kraus, LLP

(57) **CLAIM**

The ornamental design for a disc cartridge, as shown and described.

DESCRIPTION

FIG. 1 is a perspective view showing our new design for disc cartridge;
FIG. 2 is a front view thereof;
FIG. 3 is a right side view thereof;
FIG. 4 is a left side view thereof;
FIG. 5 is a top plan view thereof;
FIG. 6 is a bottom plan view thereof;
FIG. 7 is a rear view thereof;
FIG. 8 is a cross-sectional view along line 8—8 of FIG. 2;
FIG. 9 is a cross-sectional view along line 9—9 of FIG. 2;
FIG. 10 is a front view showing the lid in the open position;
FIG. 11 is a right side view showing the lid in the open position;
FIG. 12 is a top plan view showing the lid in the open position;
FIG. 13 is a front view thereof, in which the broken line drawing of a disk is for illustrative purposes only and forms no part of the claimed design; and,
FIG. 14 is a rear view thereof, in which the broken line drawing of a disk is for illustrative purposes only and forms no part of the claimed design.

1 Claim, 7 Drawing Sheets

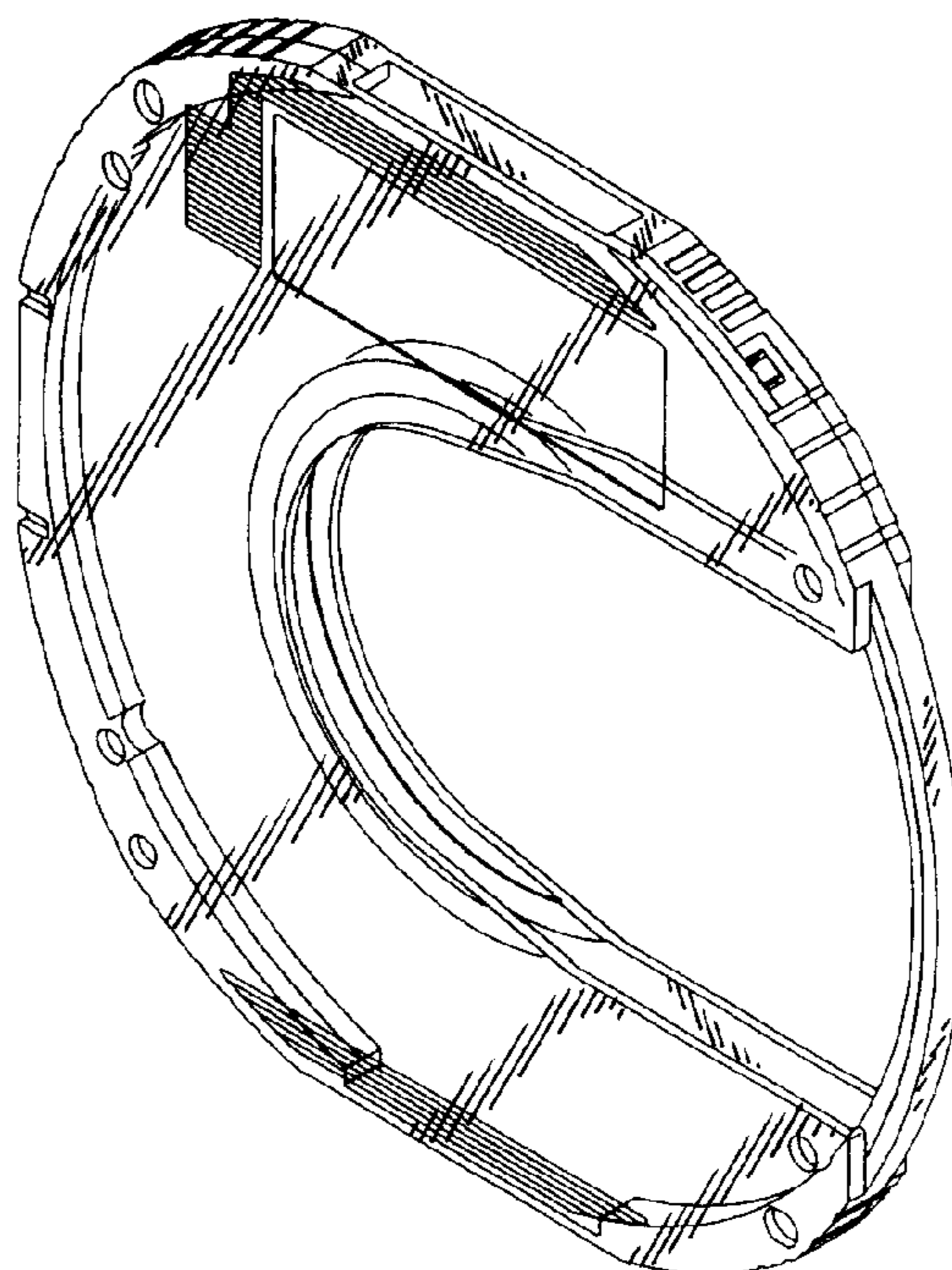


FIG. 1

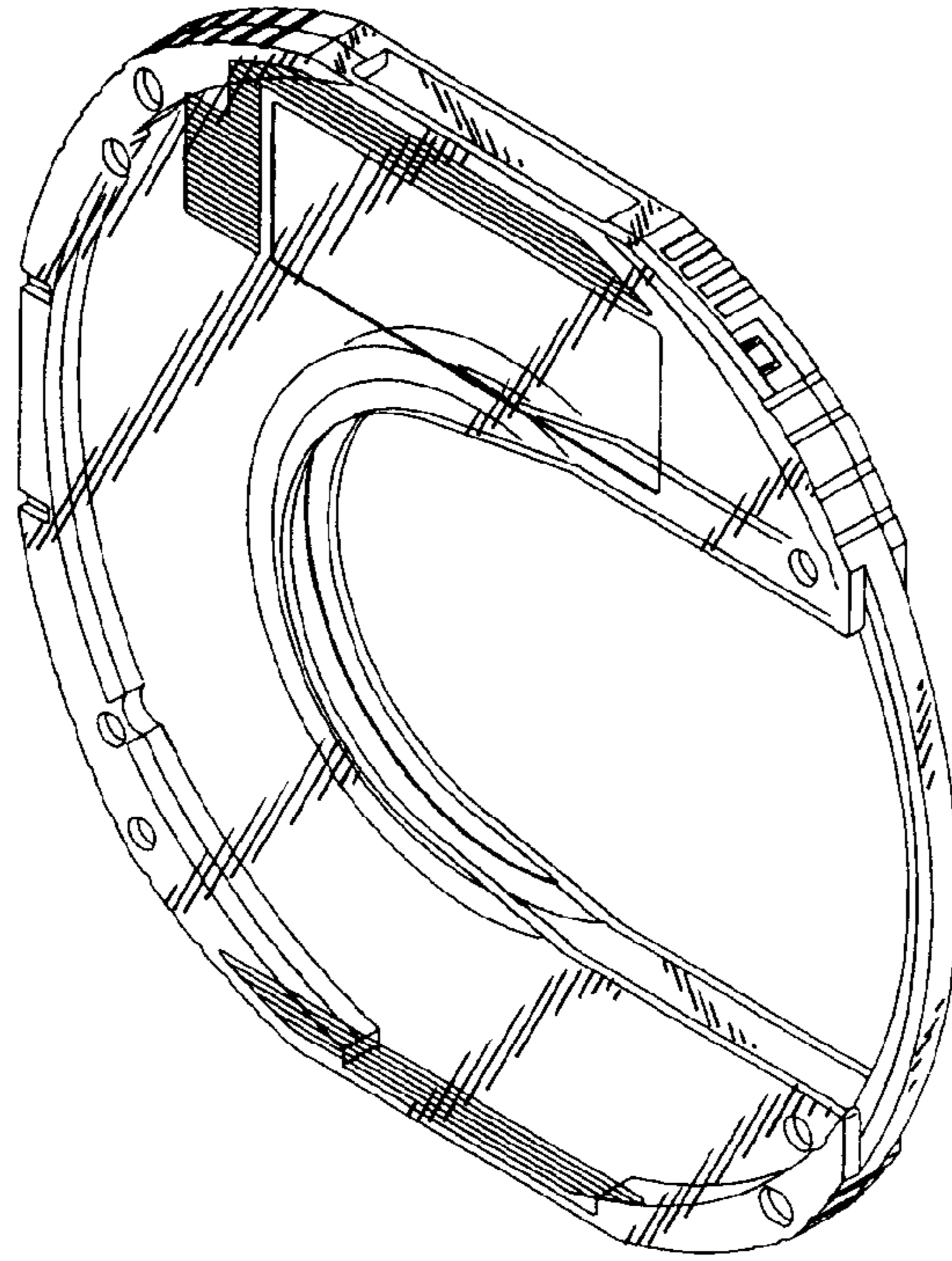


FIG. 2

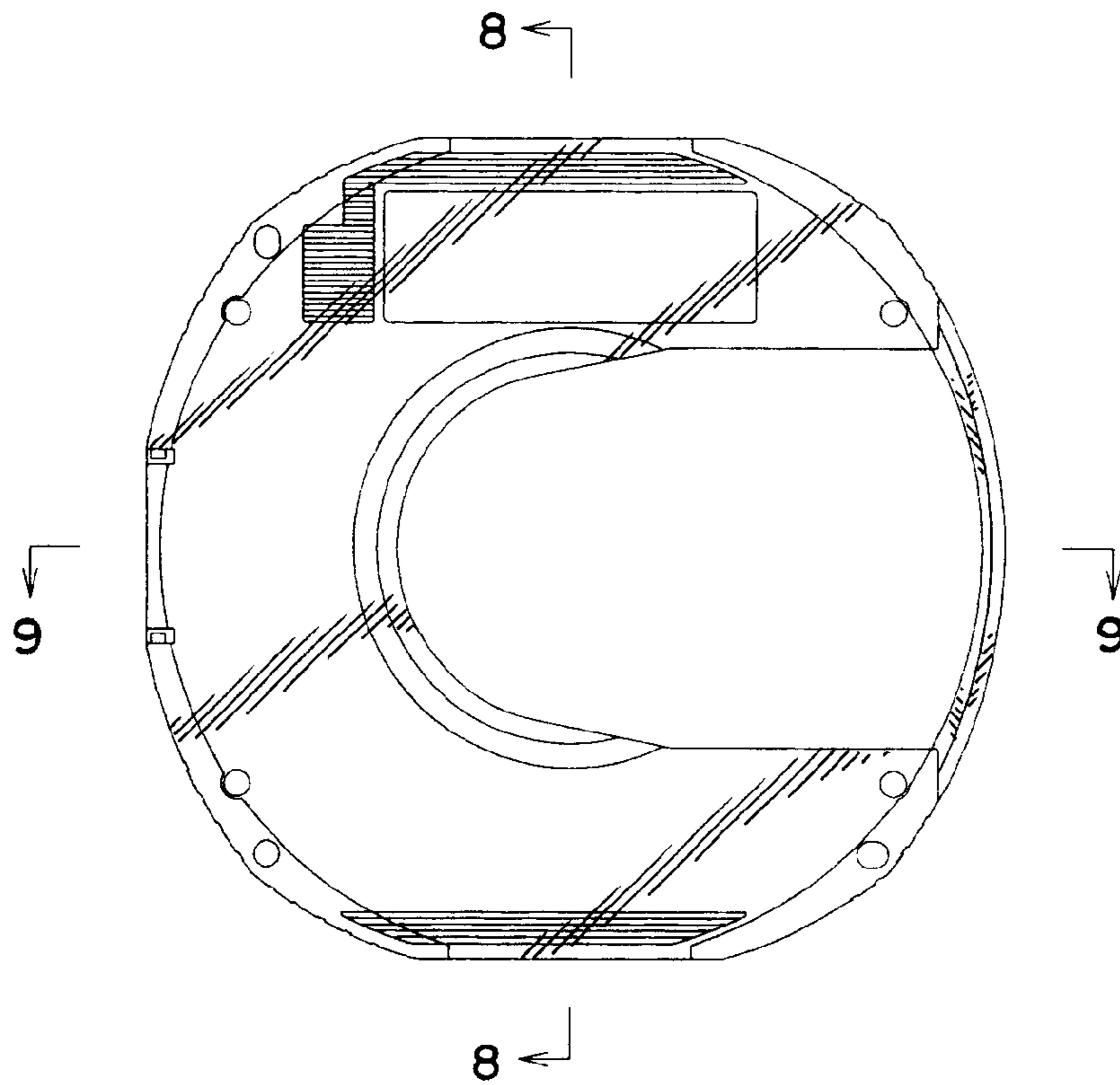


FIG. 3



FIG. 4



FIG. 5

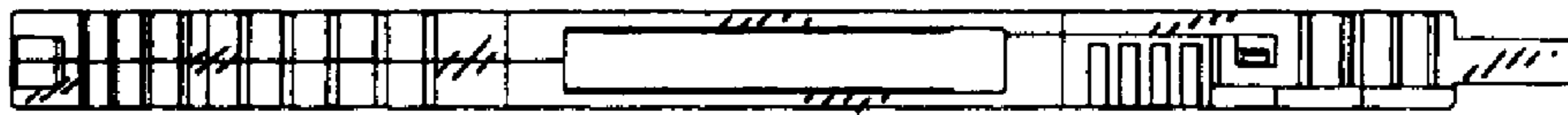


FIG. 6

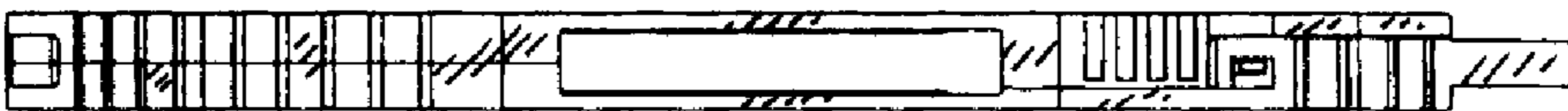


FIG. 7

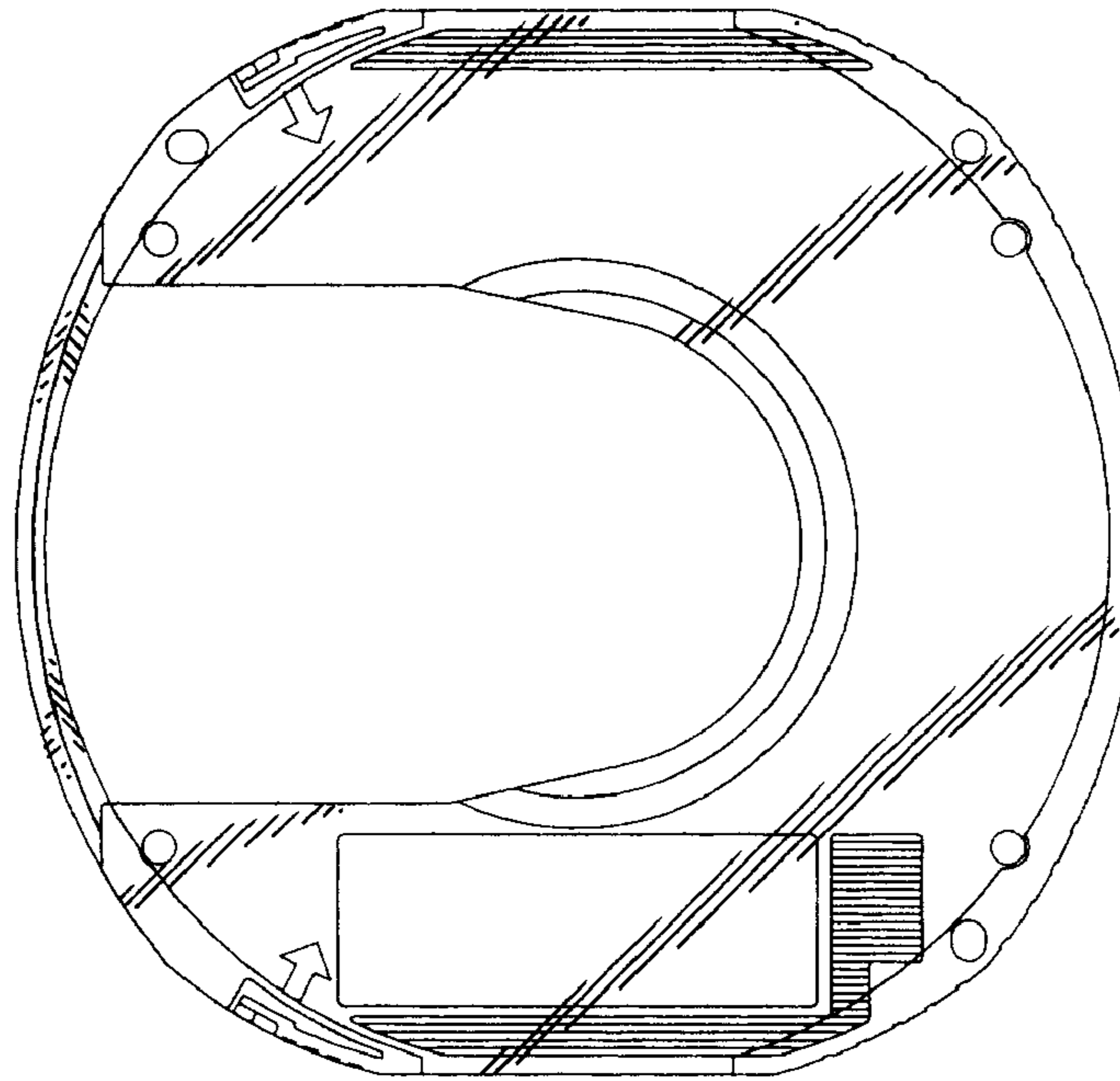


FIG. 8



FIG. 9

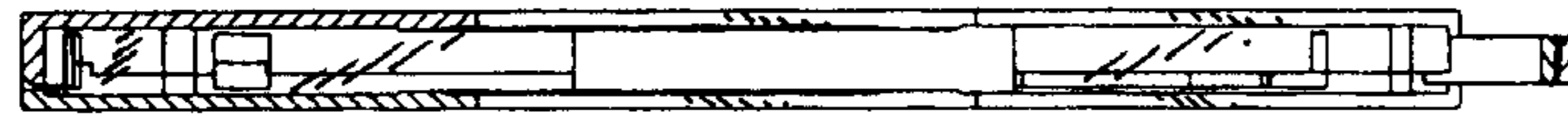


FIG. 10

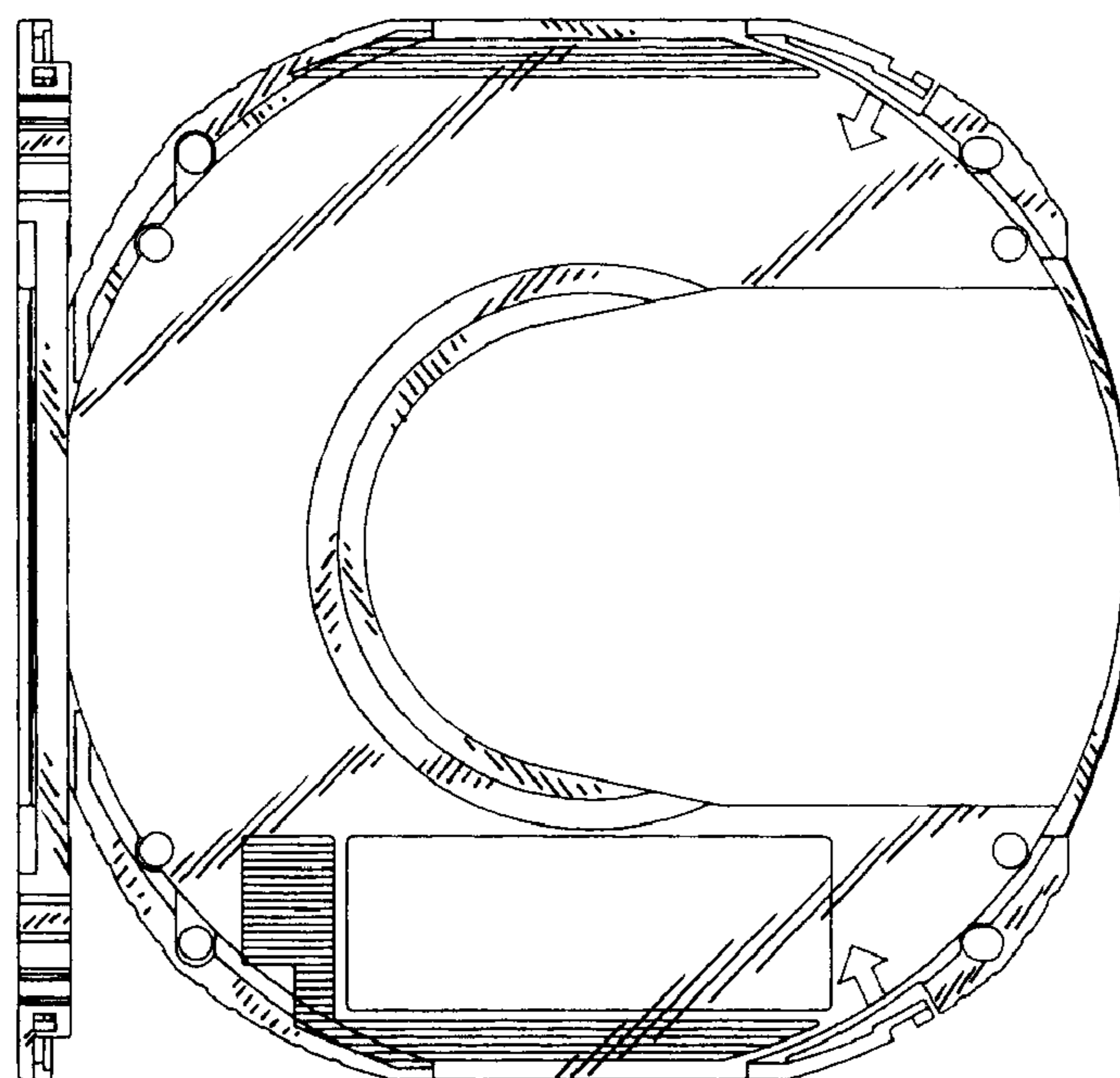


FIG. 11

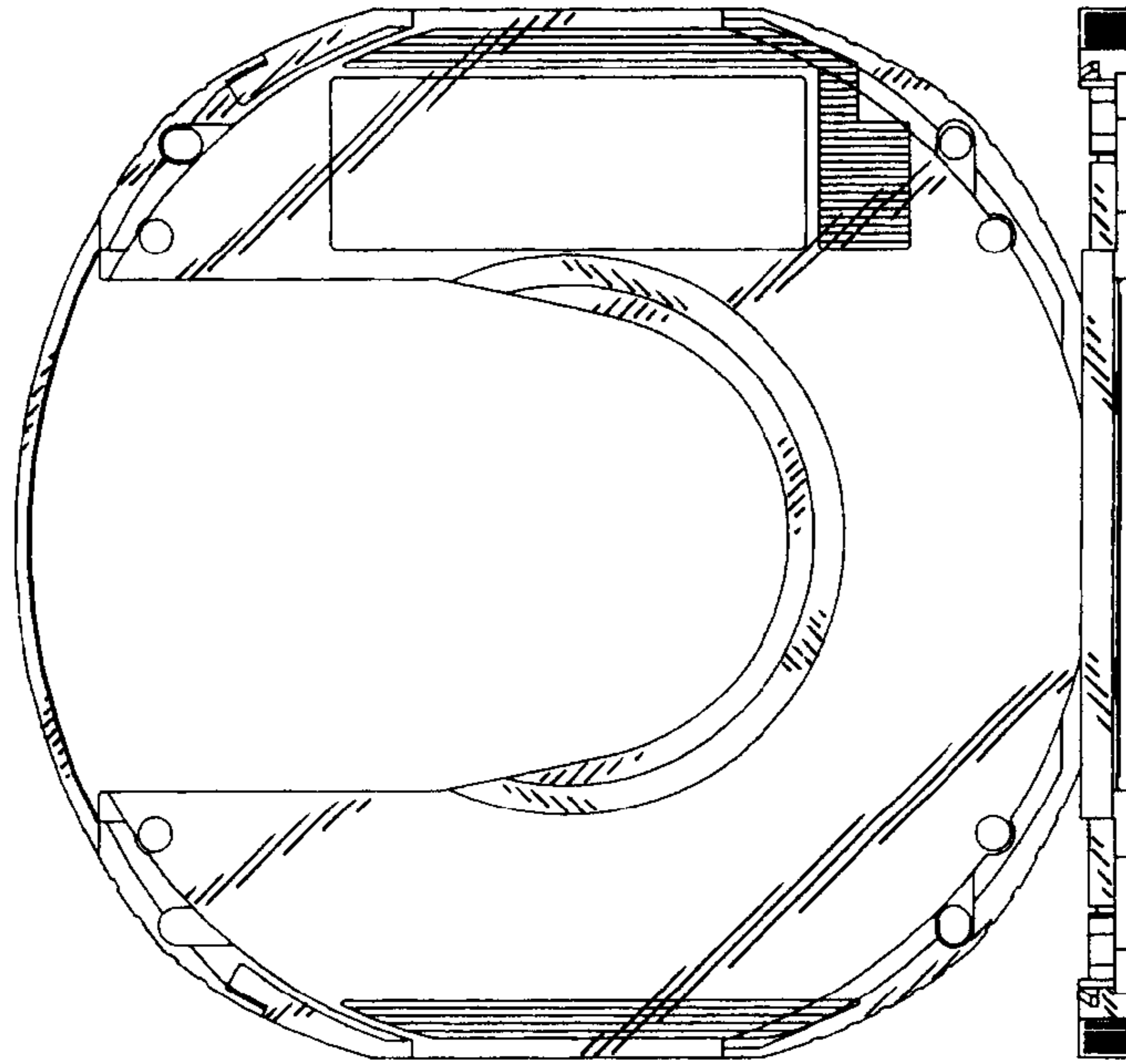


FIG. 12

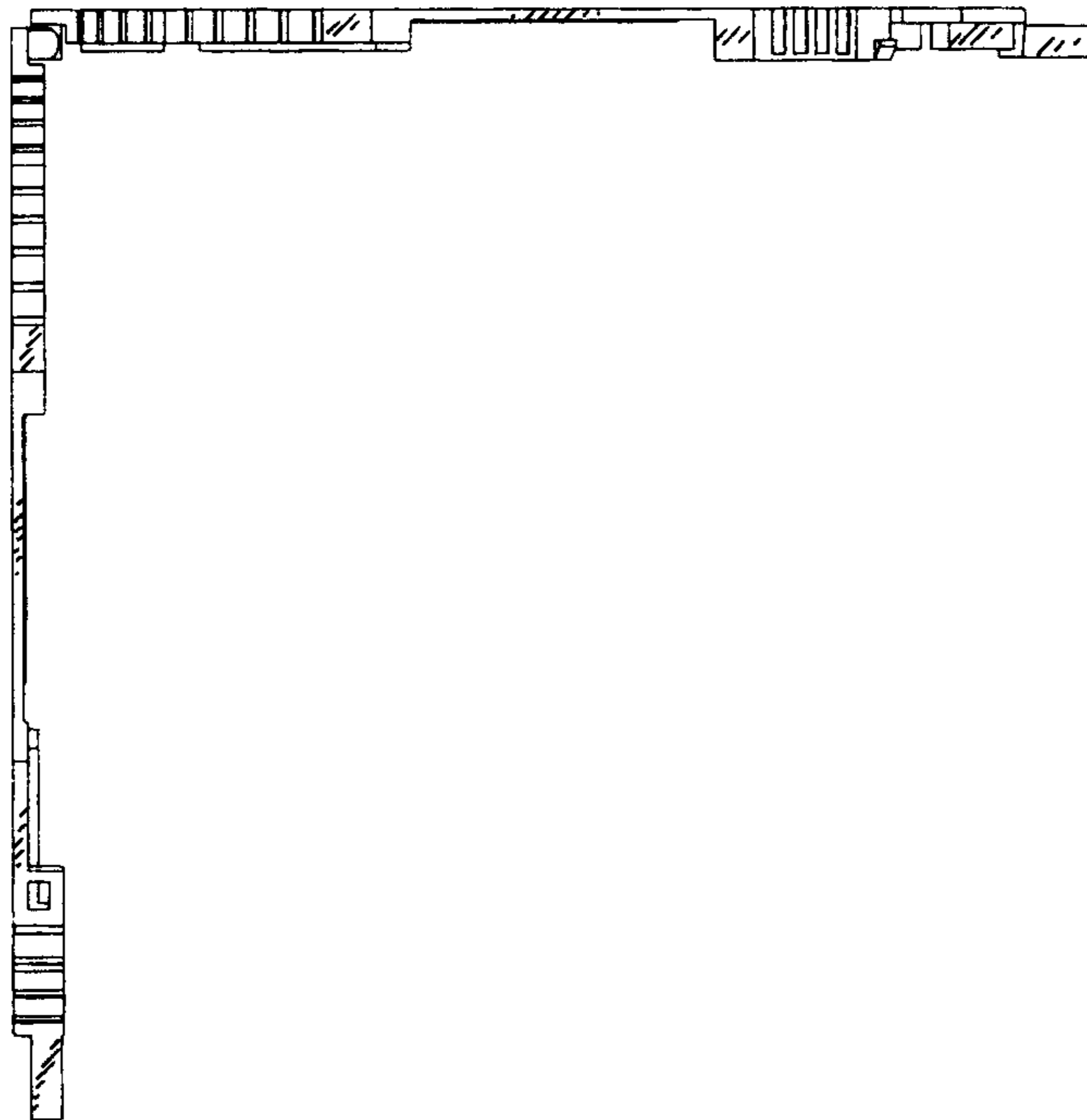


FIG. 13

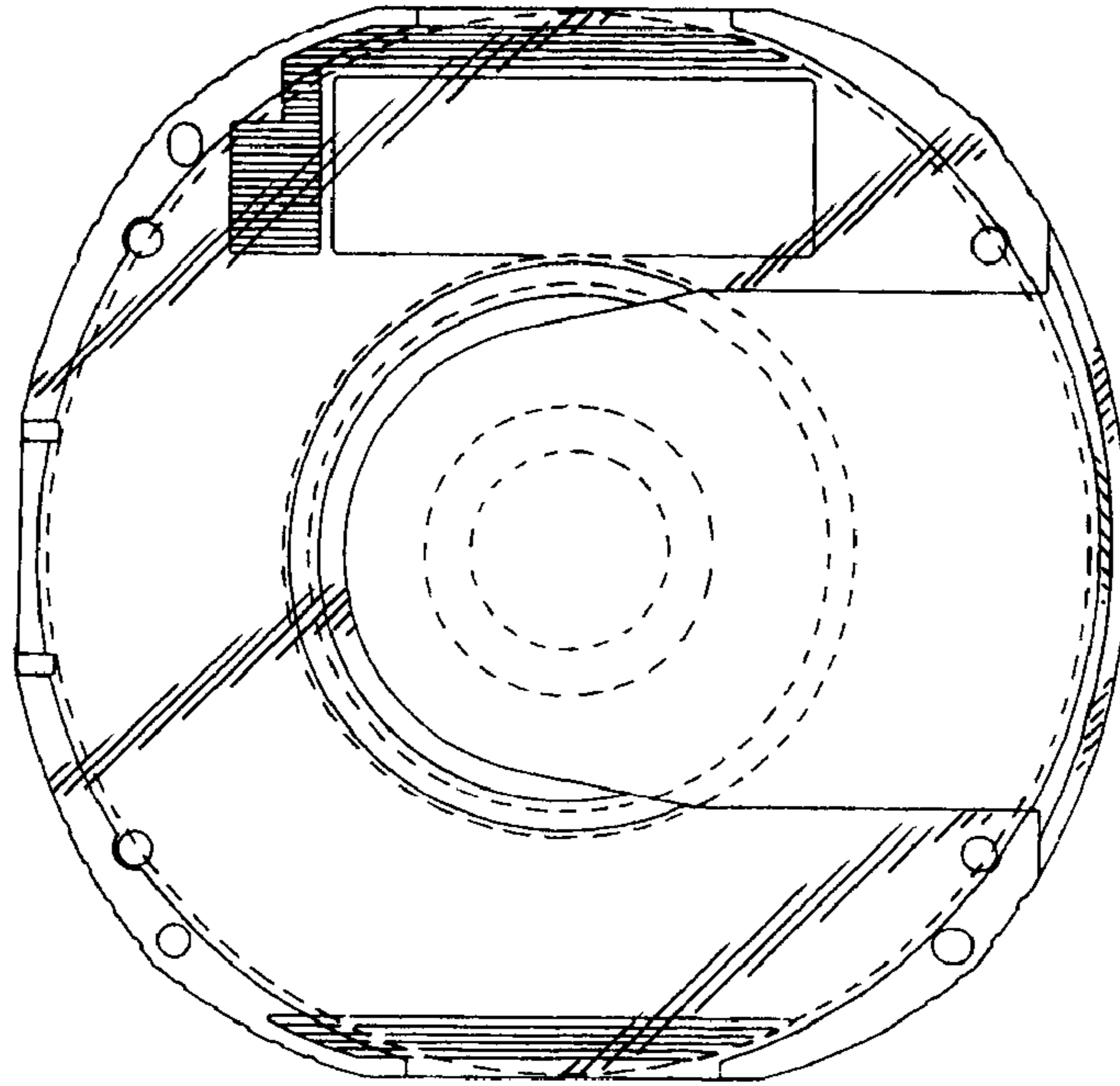


FIG. 14

