

US00D504687S

(12) **United States Design Patent** (10) **Patent No.:** **US D504,687 S**
Lee et al. (45) **Date of Patent:** **** May 3, 2005**

(54) **FLAT PANEL MONITOR FRAME**

(75) Inventors: **Noel Lee**, Las Vegas, NV (US);
Kendrew Lee, Fremont, CA (US)

(73) Assignee: **Monster, LLC**, Las Vegas, NV (US)

(**) Term: **14 Years**

(21) Appl. No.: **29/195,133**

(22) Filed: **Dec. 4, 2003**

(51) **LOC (7) Cl.** **14-02**

(52) **U.S. Cl.** **D14/374**

(58) **Field of Search** D14/371-375,
D14/125-129; 345/104, 156, 168, 173;
248/917-924; 348/180, 184, 325, 739;
341/12; 349/1, 2, 11, 62

(56) **References Cited**

U.S. PATENT DOCUMENTS

- D345,346 S * 3/1994 Alfonso et al. D14/341
- D382,259 S * 8/1997 Nagai et al. D14/374
- D453,333 S * 2/2002 Chen D14/374

* cited by examiner

Primary Examiner—Freda S. Nunn

(74) *Attorney, Agent, or Firm*—LaRiviere, Grubman & Payne, LLP

(57) **CLAIM**

The ornamental design for a flat panel monitor frame, as shown and described.

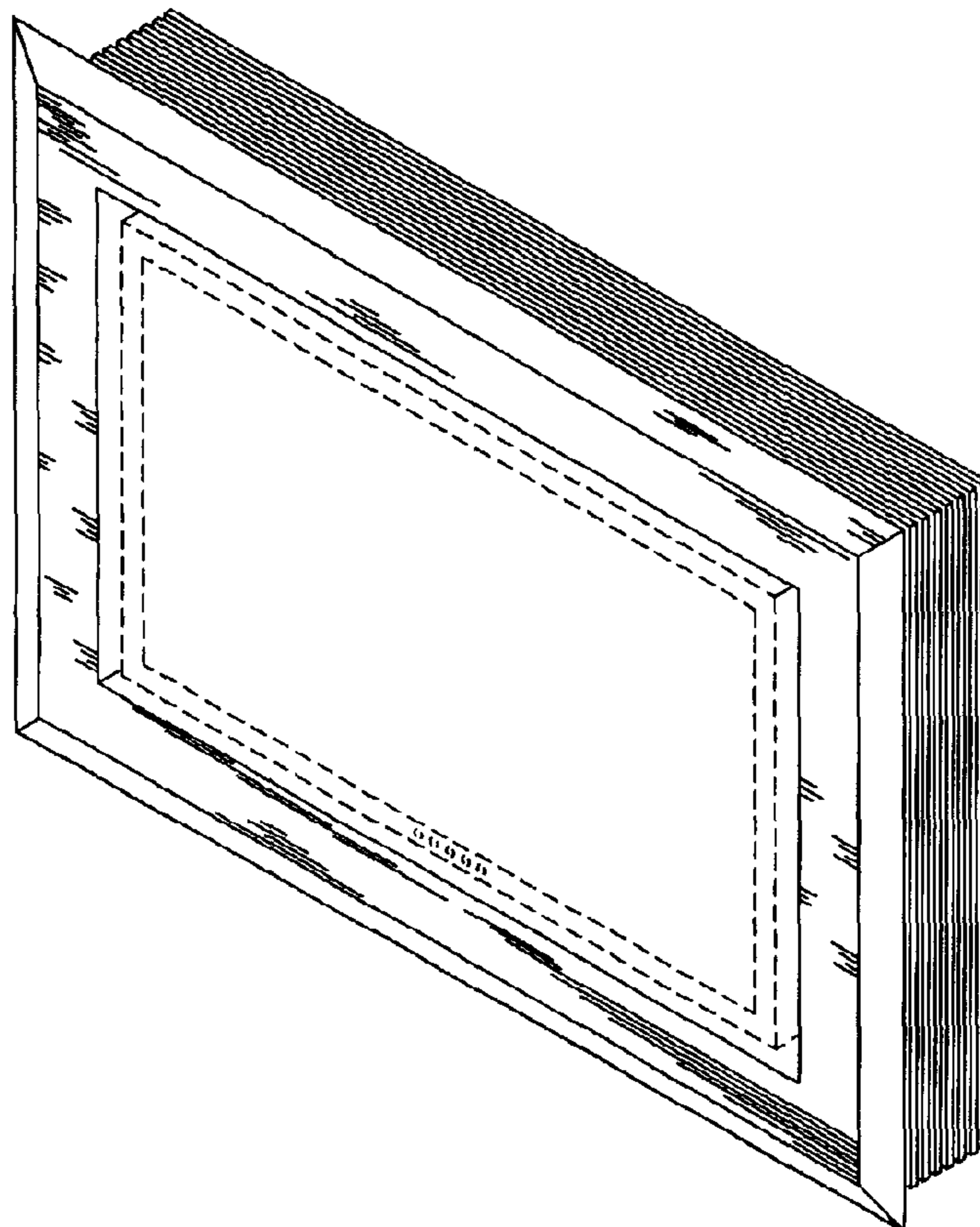
DESCRIPTION

A portion of the disclosure of this patent document contains material to which a claim for copyright is made. The copyright owner has no objection to the facsimile reproduction by anyone of the patent document or the patent disclosure, as it appears in the patent and trademark office patent file or records, but reserves all other copyright rights whatsoever.

FIG. 1 is a perspective view of a flat panel monitor frame in accordance with the present invention; FIG. 2 is a front elevation view thereof; FIG. 3 is a rear elevation thereof; FIG. 4 is a right side view thereof; FIG. 5 is a left side view thereof; FIG. 6 is a top view thereof; and, FIG. 7 is a bottom view thereof.

The broken lines showing the environment in FIGS. 1-7 are for illustrative purposes only and form no part of the claimed design.

1 Claim, 3 Drawing Sheets



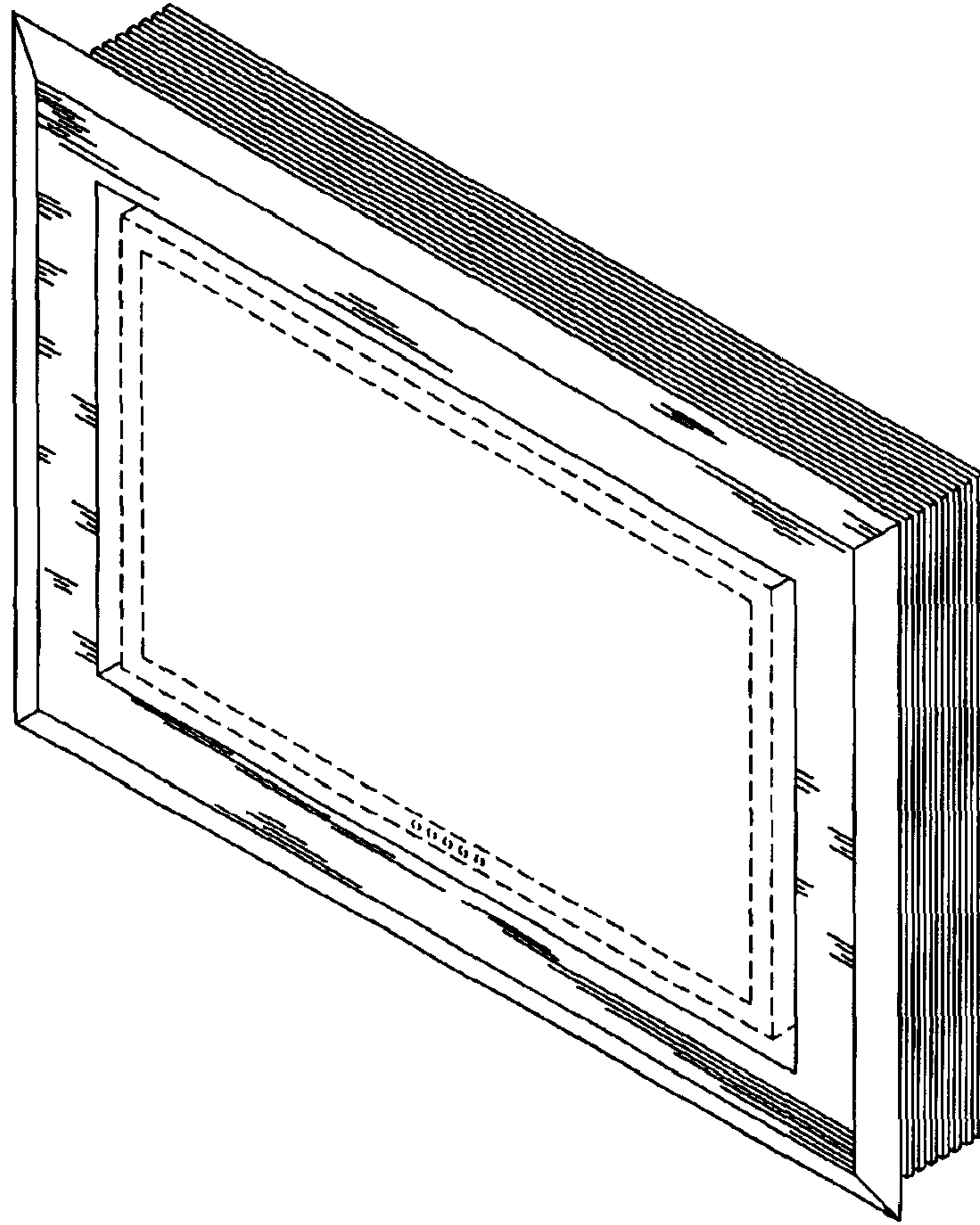


Figure 1

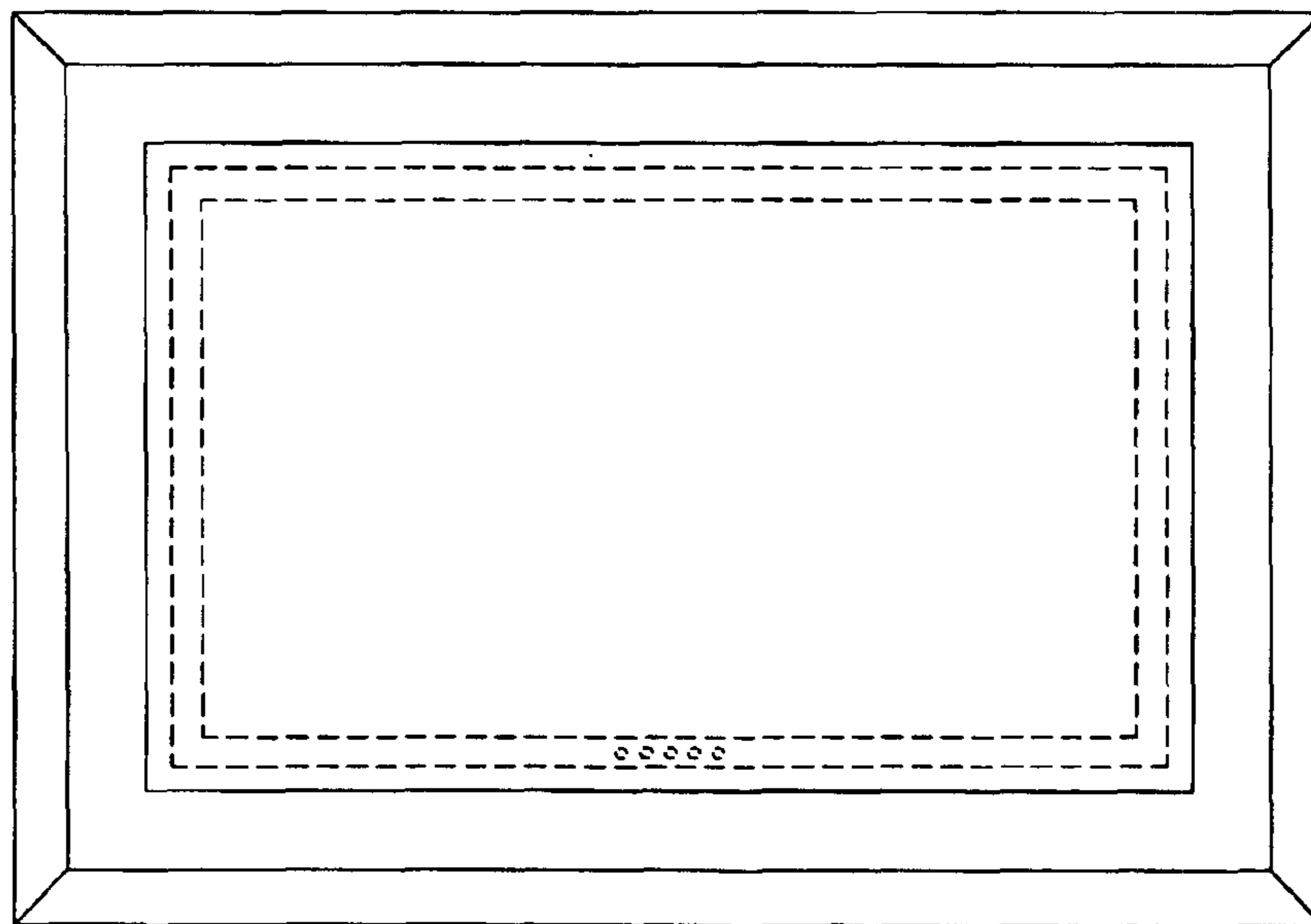


Figure 2

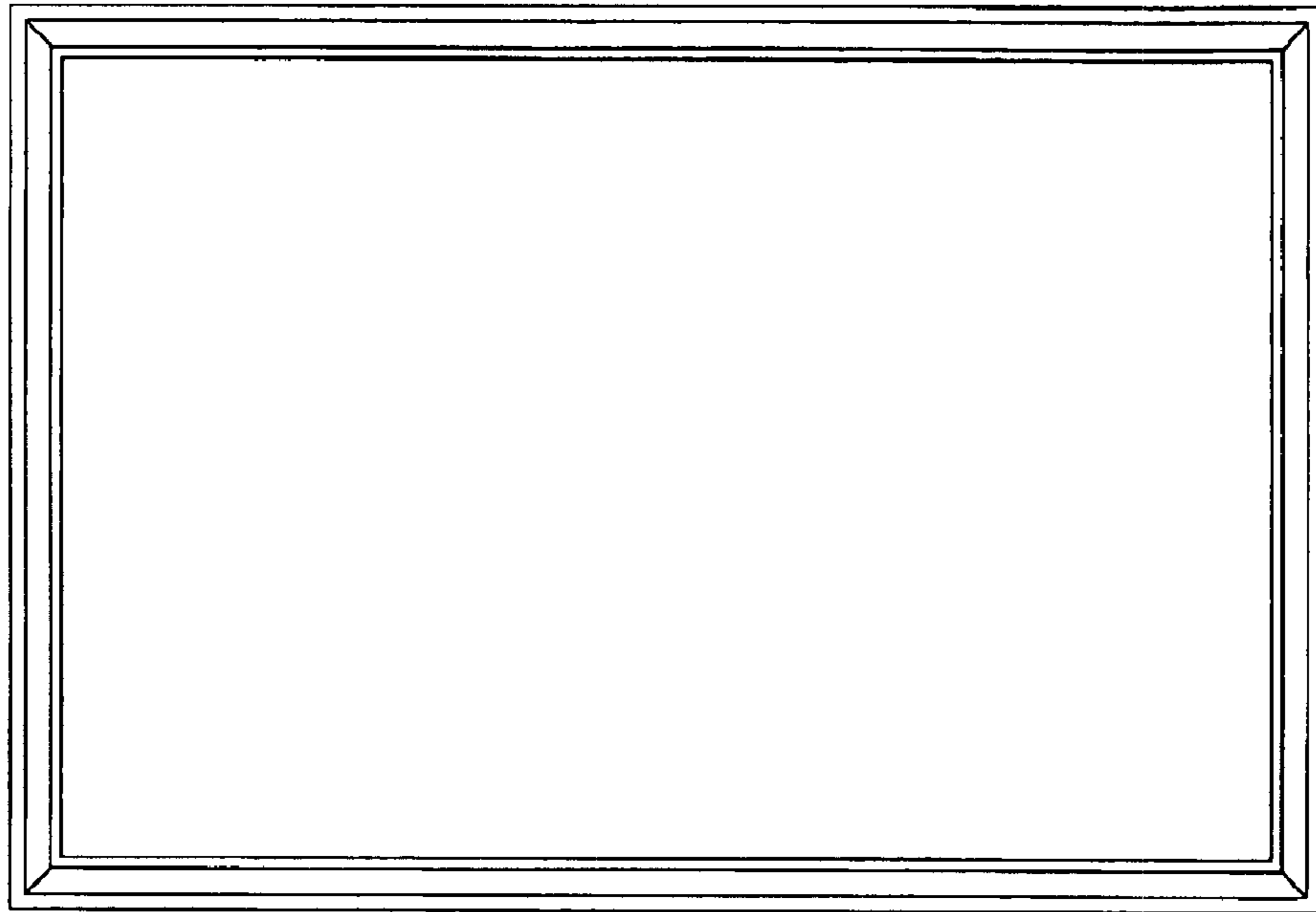


Figure 3

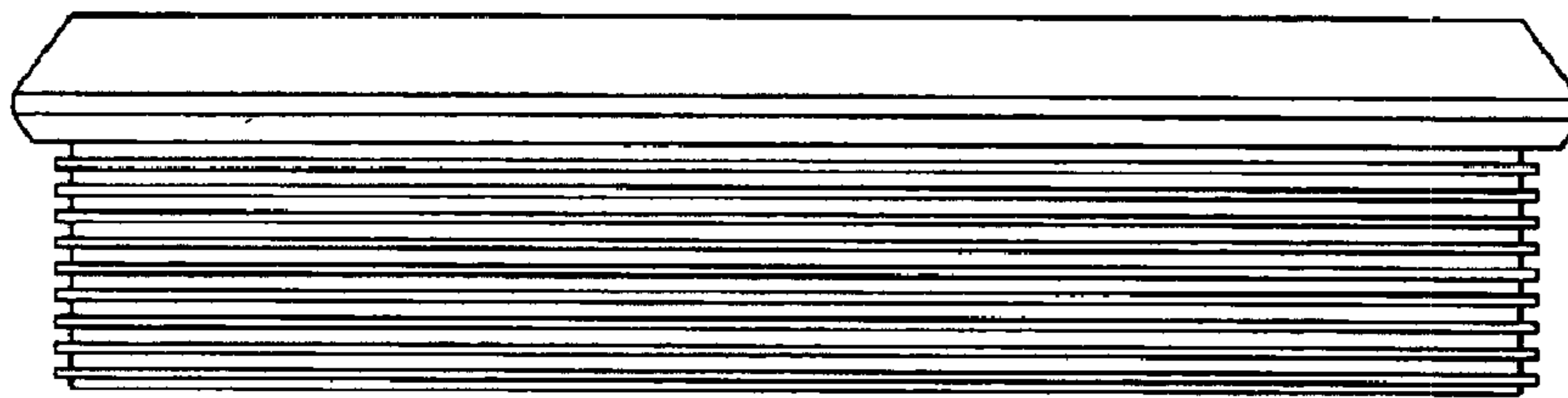


Figure 4

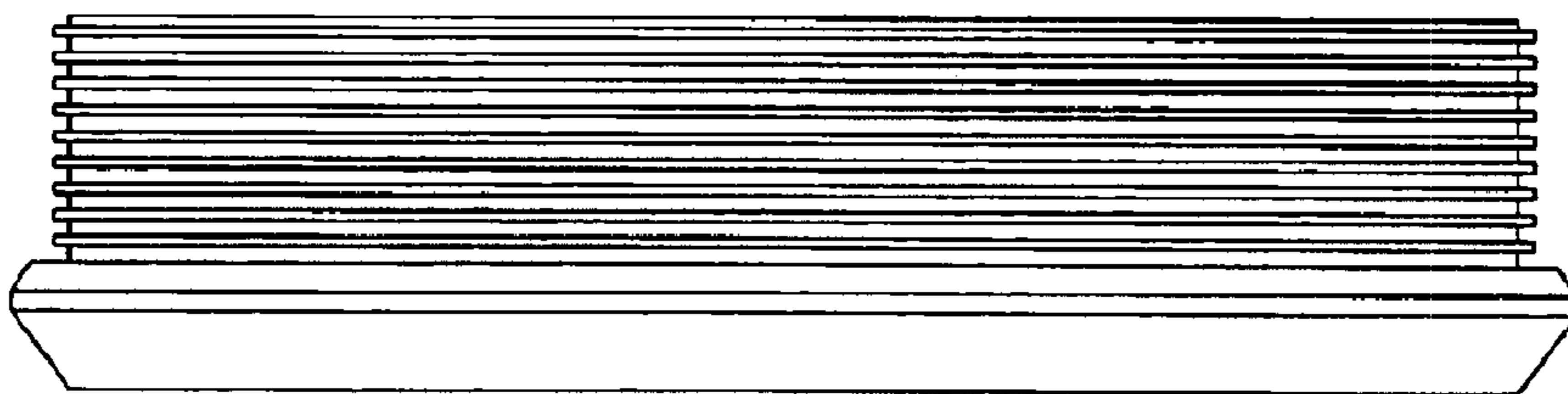


Figure 5

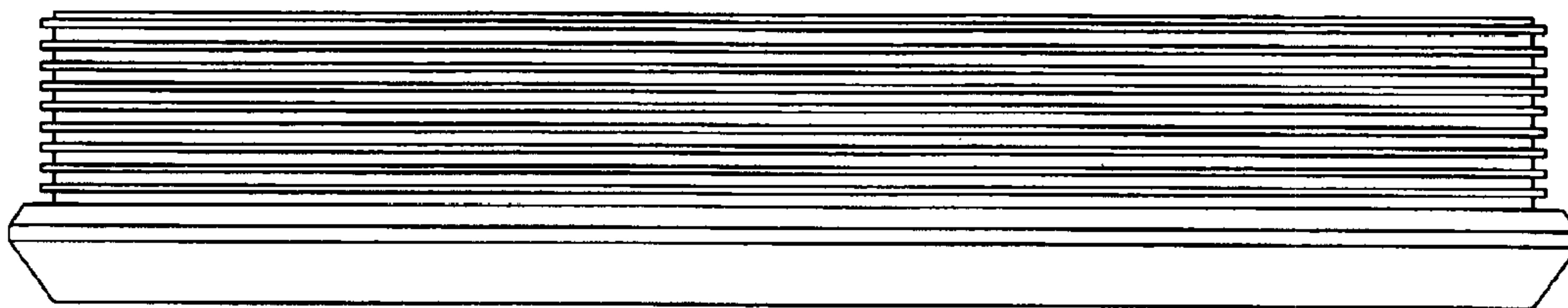


Figure 6

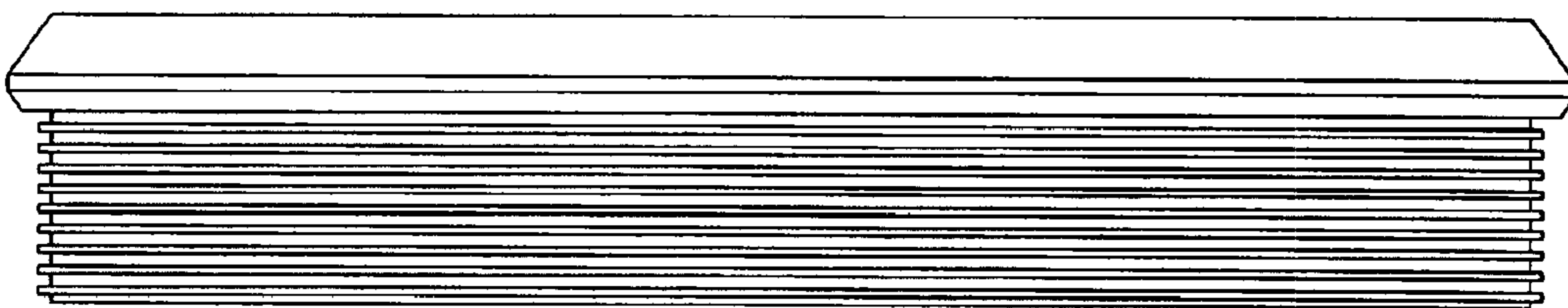


Figure 7