

US00D504685S

(12) **United States Design Patent** (10) **Patent No.:** **US D504,685 S**  
**di Tomasso** (45) **Date of Patent:** **\*\* May 3, 2005**

(54) **COMPUTER CASE**

(76) Inventor: **Brad di Tomasso**, 6415 La Habra La.,  
NE., Albuquerque, NM (US)  
87113-1981

(\*\*) Term: **14 Years**

(21) Appl. No.: **29/203,163**

(22) Filed: **Apr. 9, 2004**

(51) **LOC (7) Cl.** ..... **14-02**

(52) **U.S. Cl.** ..... **D14/328**

(58) **Field of Search** ..... D14/300, 308,  
D14/314, 328; D6/632, 633, 432; D3/273,  
274, 276, 218; 345/168; 361/680-686,  
690-696; 224/607; 312/235.1

(56) **References Cited**

**U.S. PATENT DOCUMENTS**

D298,537 S	*	11/1988	Walters et al.	.....	D14/328
4,832,419 A	*	5/1989	Mitchell et al.	.....	361/681
4,980,676 A	*	12/1990	Nomura et al.	.....	361/680
D326,846 S	*	6/1992	Lerude	.....	D14/328
D388,772 S	*	1/1998	Cheng	.....	D14/328
5,882,097 A	*	3/1999	Kohagen et al.	.....	312/235.1

\* cited by examiner

*Primary Examiner*—Freda S. Nunn

(74) *Attorney, Agent, or Firm*—Jeffrey D. Myers; Peacock  
Myers & Adams PC

(57) **CLAIM**

The ornamental design for a computer case, as shown and described.

**DESCRIPTION**

A portion of the disclosure of this patent document contains material to which a claim for copyright is made. The copyright owner has no objection to the facsimile reproduction by anyone of the patent document or the patent disclosure, as it appears in the Patent and Trademark Office patent file or records, but reserves all other copyright rights whatsoever.

FIG. 1 is a drawing showing a front view of the computer case embodying my new design;

FIG. 2 is a drawing showing a back view of the computer case embodying my new design;

FIG. 3 is a perspective view drawing showing the computer case embodying my new design;

FIG. 4 is a drawing showing a top view of the computer case embodying my new design;

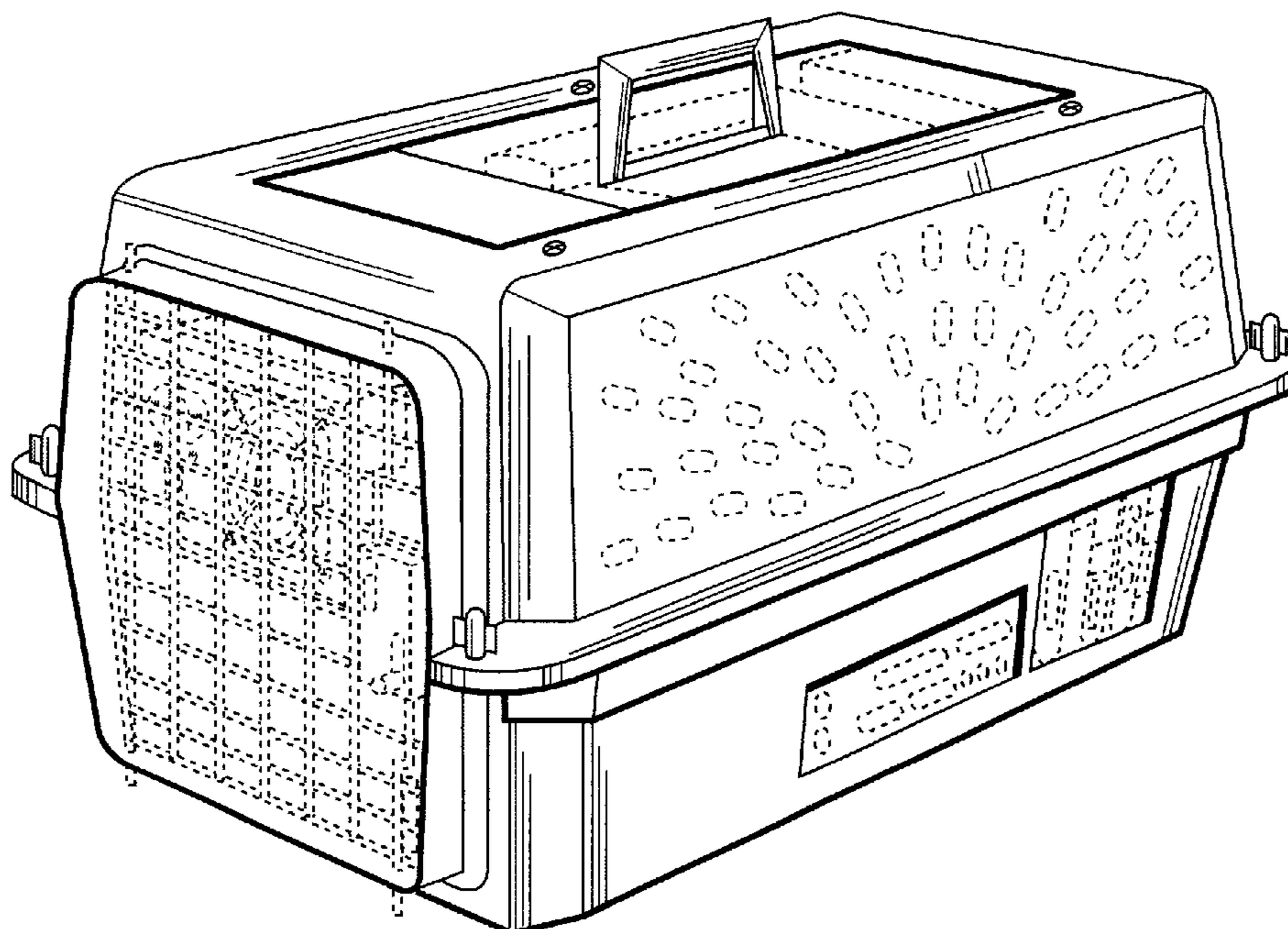
FIG. 5 is a drawing showing a bottom view of the computer case embodying my new design;

FIG. 6 is a drawing showing a left side of the computer case embodying my new design; and,

FIG. 7 is a drawing showing a right side of the computer case embodying my new design.

The broken lines are shown for illustrative purposes only and form no part of the claimed design.

**1 Claim, 7 Drawing Sheets**



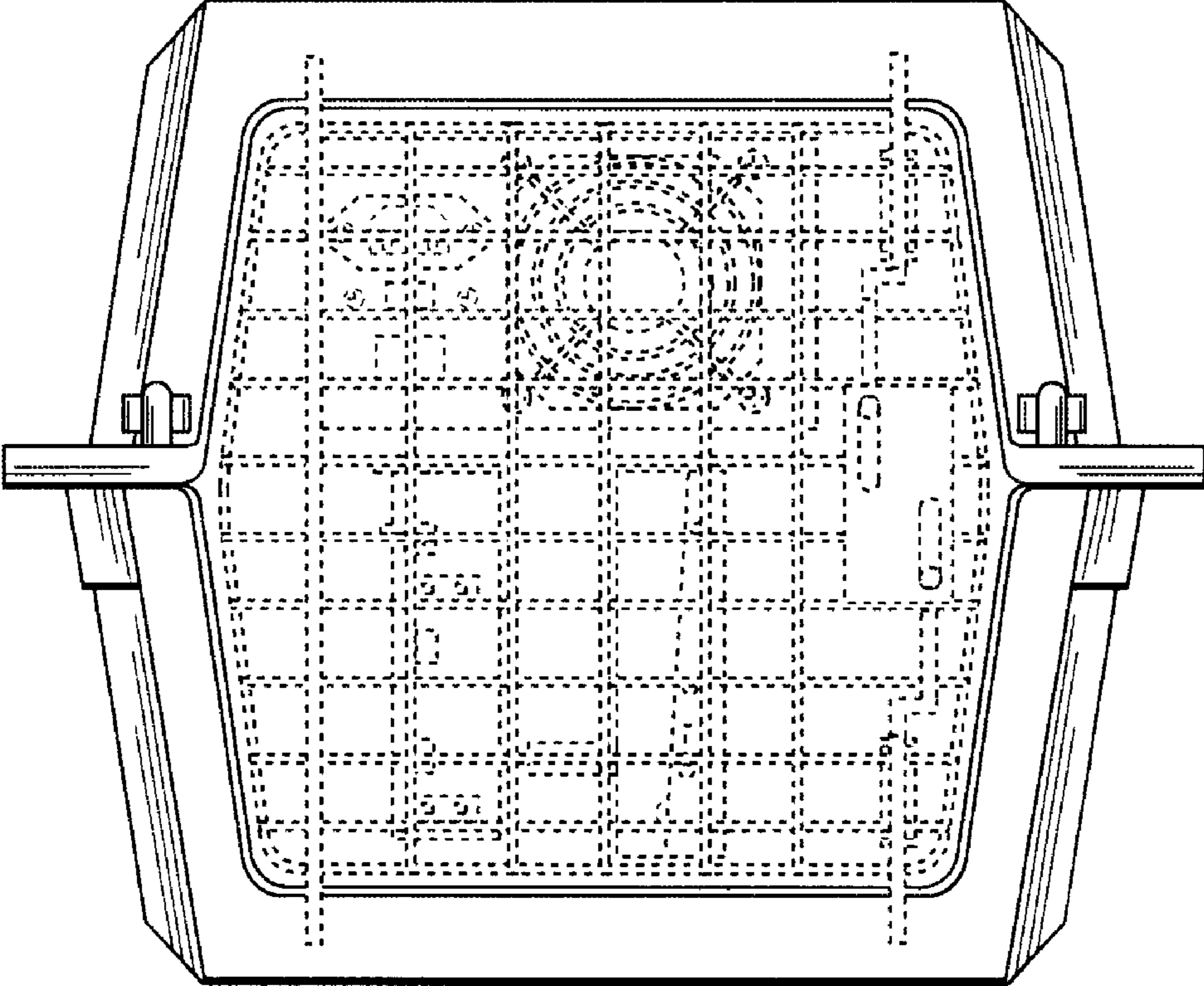


FIG-1

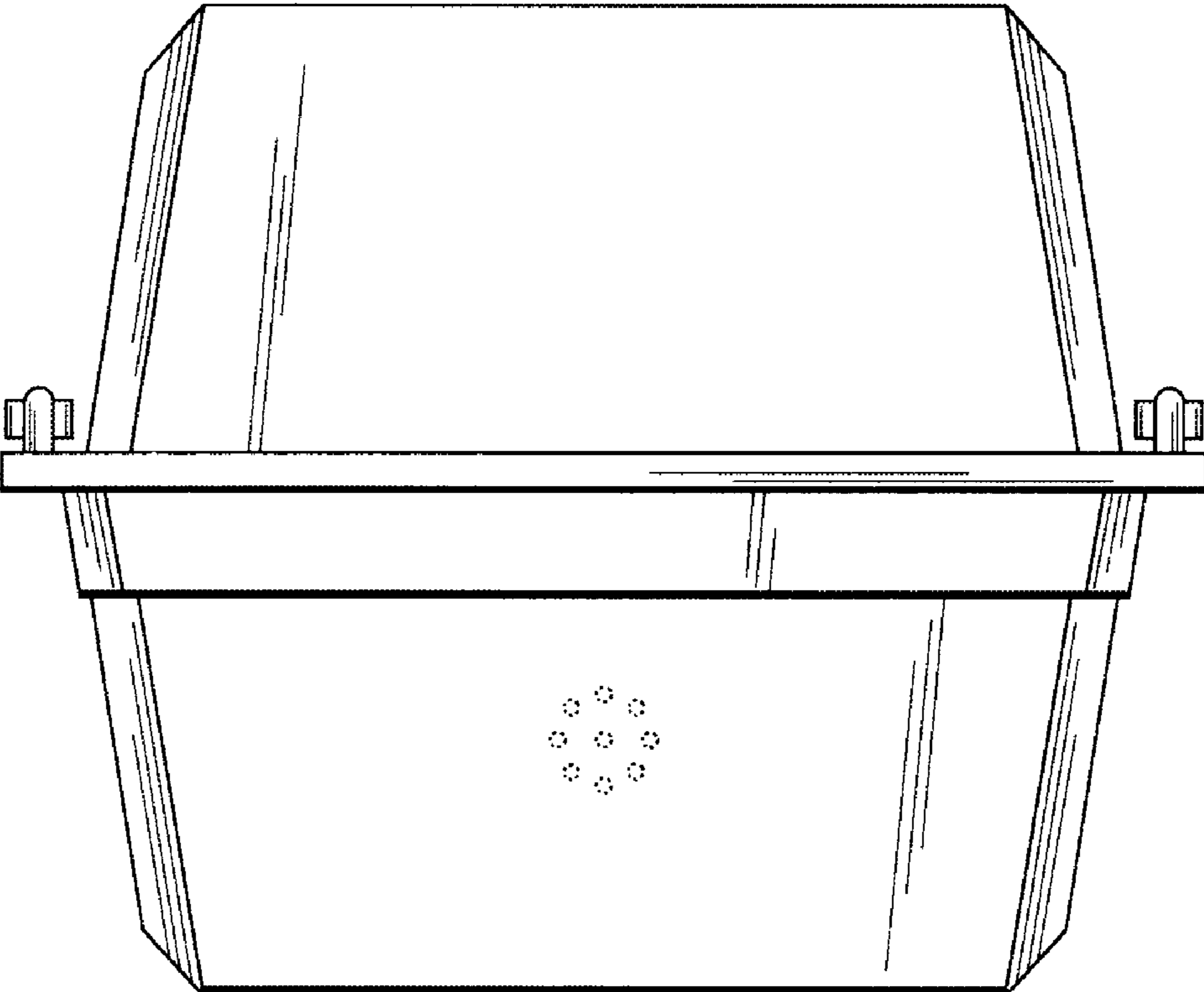


FIG-2

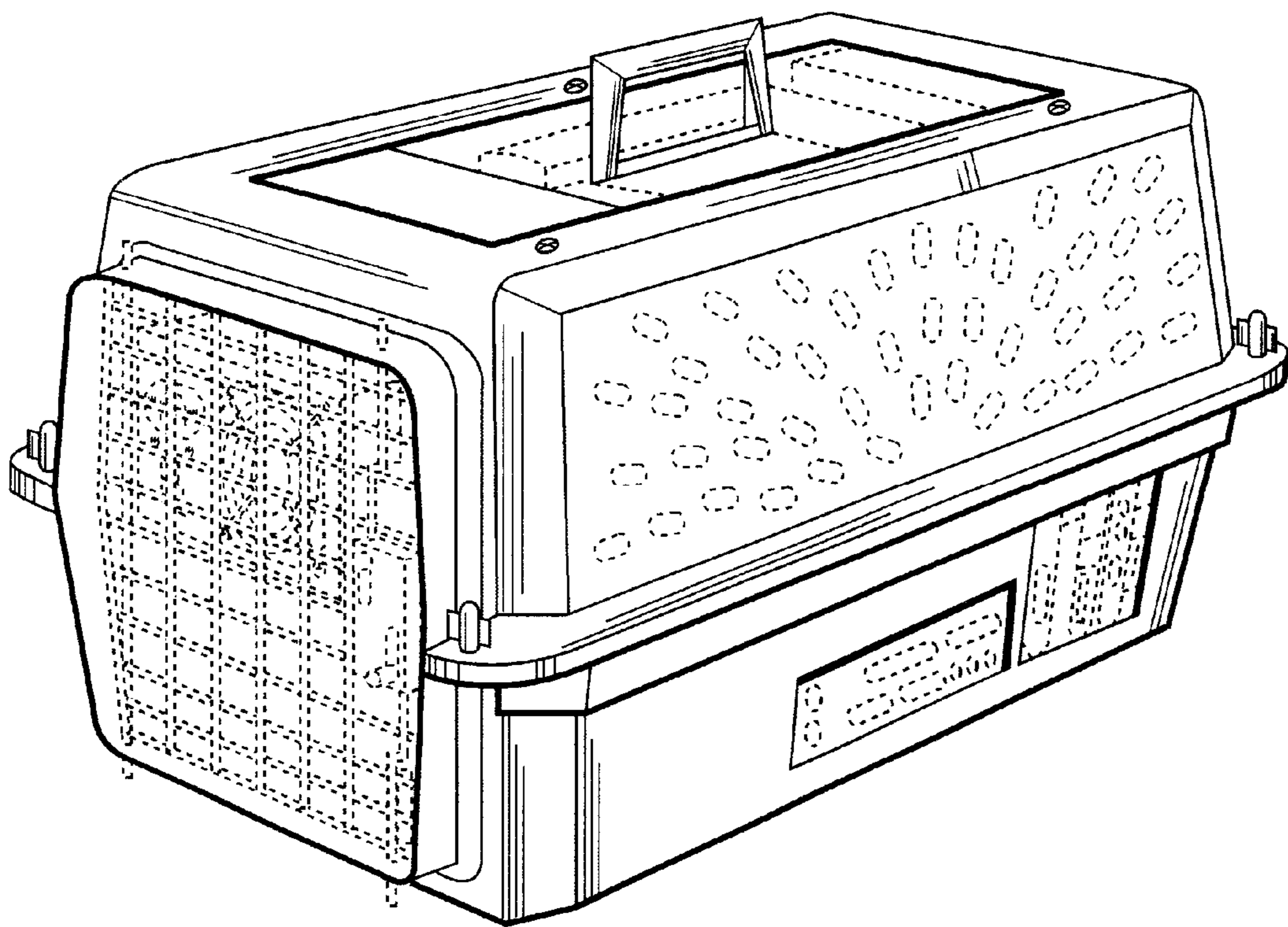


FIG-3

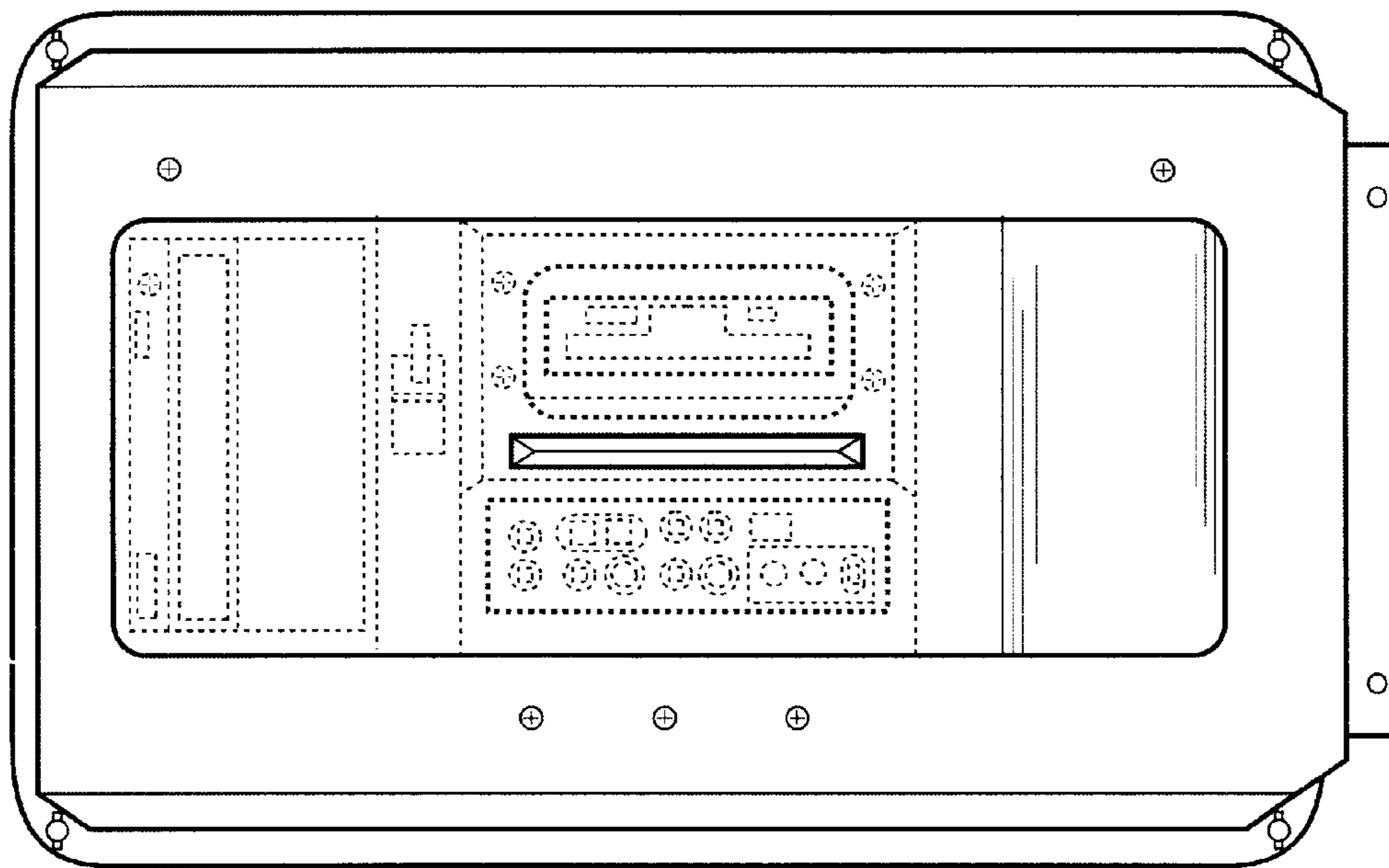


FIG-4

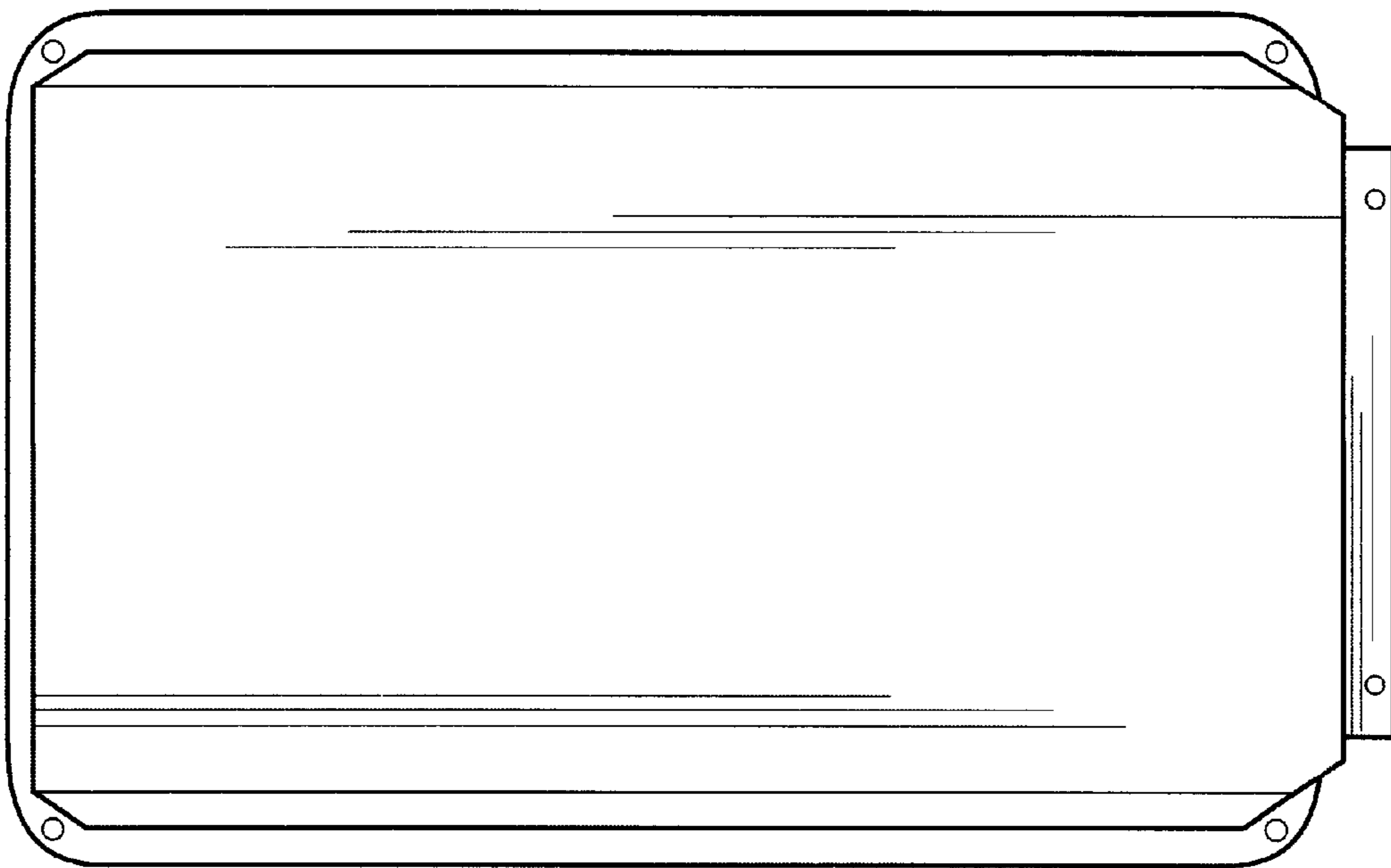


FIG-5

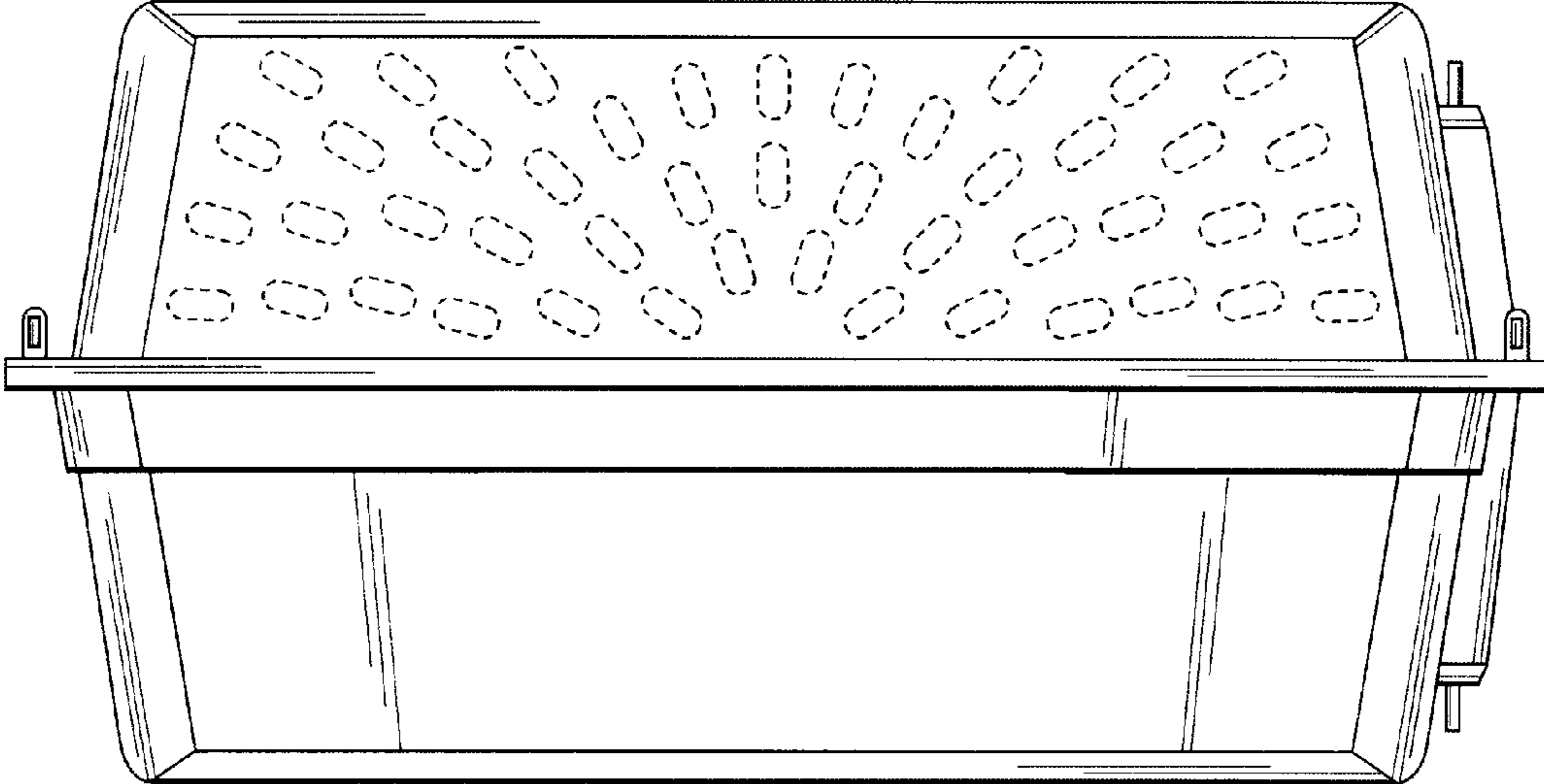


FIG-6

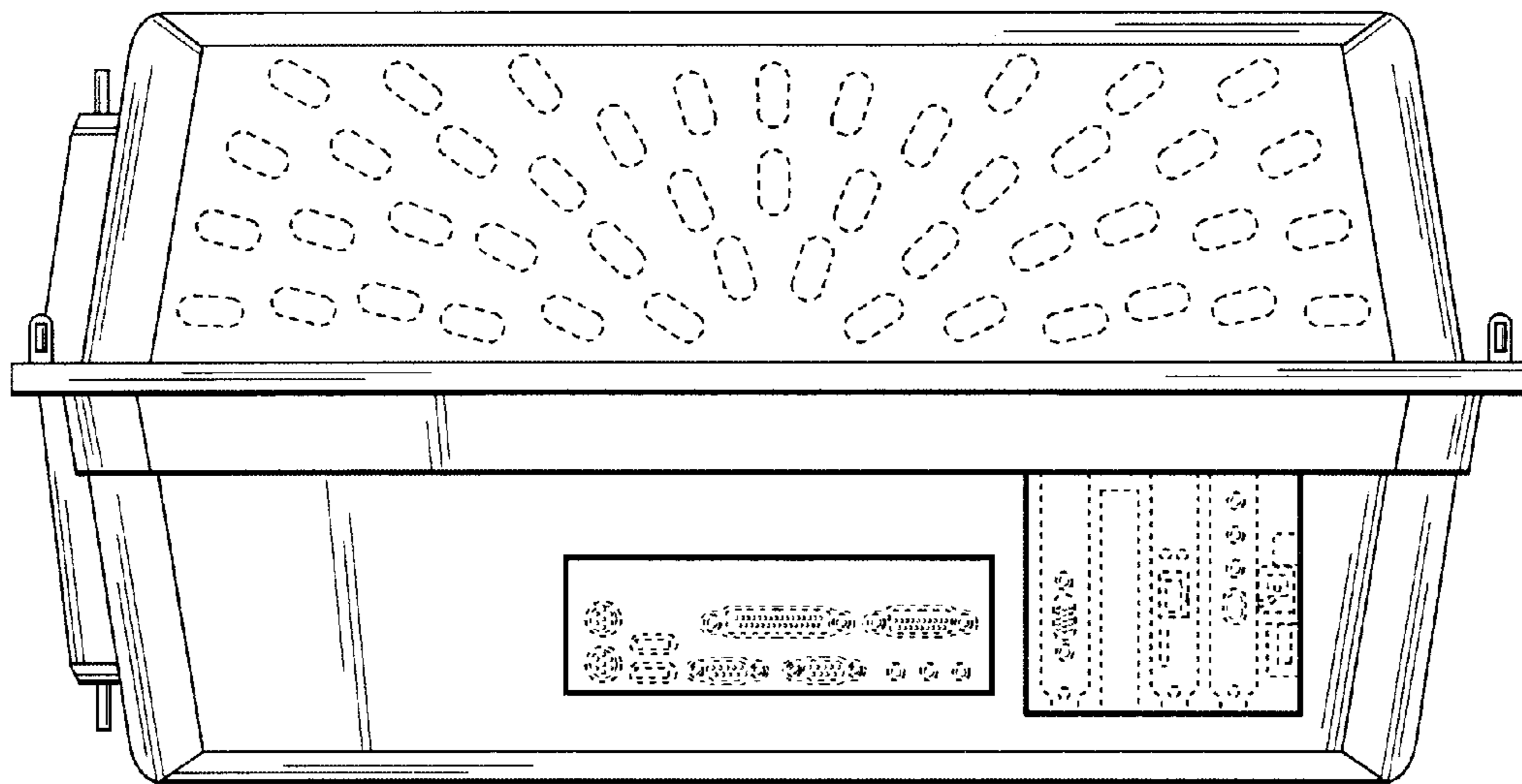


FIG-7



UNITED STATES PATENT AND TRADEMARK OFFICE  
**CERTIFICATE OF CORRECTION**

PATENT NO. : Des. 504,685 S  
DATED : May 3, 2005  
INVENTOR(S) : Brad De Tommaso

Page 1 of 1

It is certified that error appears in the above-identified patent and that said Letters Patent is hereby corrected as shown below:

Title page.

Item [75], Inventors, should read -- Inventor: **Brad De Tommaso** --

Signed and Sealed this

Fifth Day of July, 2005

A handwritten signature in black ink on a light gray dotted background. The signature reads "Jon W. Dudas" in a cursive style.

JON W. DUDAS

*Director of the United States Patent and Trademark Office*