

US00D504683S

(12) **United States Design Patent**
Kim et al.

(10) **Patent No.:** **US D504,683 S**

(45) **Date of Patent:** **** May 3, 2005**

(54) **PORTABLE COMPUTER**

(75) Inventors: **Kyung Min Kim**, Seoul (KR); **Byung Mu Huh**, Seoul (KR); **Ji Yeon Lee**, Gyeonggi-do (KR)

(73) Assignee: **LG Electronics Inc.**, Seoul (KR)

(**) Term: **14 Years**

(21) Appl. No.: **29/206,437**

(22) Filed: **Jun. 1, 2004**

(30) **Foreign Application Priority Data**

Dec. 2, 2003 (KR) 30-2003-0034299

(51) **LOC (7) Cl.** **14-02**

(52) **U.S. Cl.** **D14/315**

(58) **Field of Search** D14/318-327;
D18/1, 2, 7; 235/145 A, 145 R; 341/22,
23; 345/156, 168, 169, 172, 173; 349/12;
361/680-686, 690-696

(56) **References Cited**

U.S. PATENT DOCUMENTS

D384,043 S * 9/1997 Tamaki D14/318

D425,874 S * 5/2000 Tanimura D14/318
D431,821 S * 10/2000 Mizuno D14/318
D466,498 S * 12/2002 Wang D14/318

* cited by examiner

Primary Examiner—Freda S. Nunn

(74) *Attorney, Agent, or Firm*—Birch, Stewart, Kolasch & Birch, LLP

(57) **CLAIM**

The ornamental design for portable computer, as shown and described.

DESCRIPTION

FIG. 1 is a perspective view of the portable computer;
FIG. 2 is a front view thereof;
FIG. 3 is a rear view thereof;
FIG. 4 is a left side view thereof;
FIG. 5 is a right side view thereof;
FIG. 6 is a top plan view thereof; and,
FIG. 7 is a bottom plan view thereof.

1 Claim, 5 Drawing Sheets

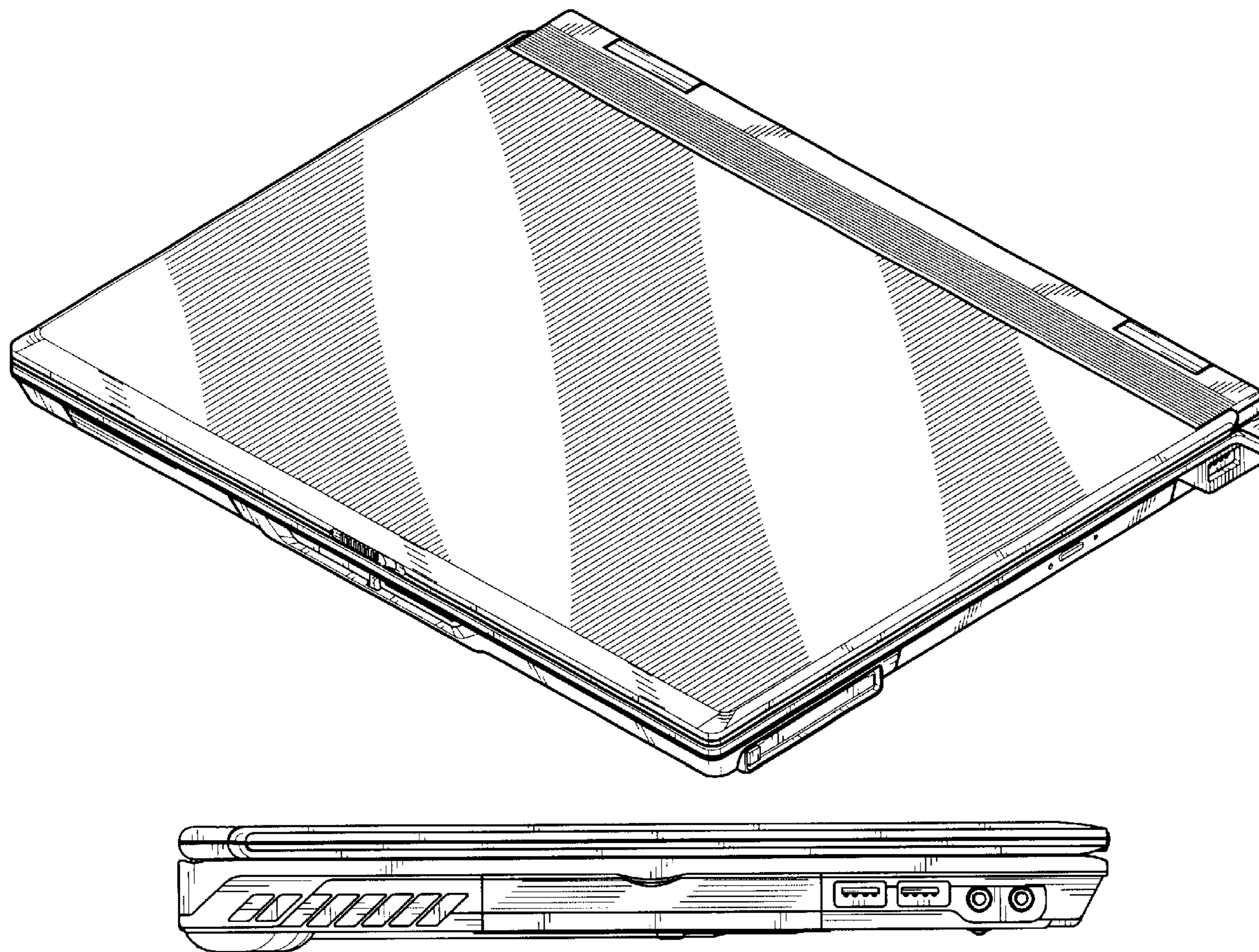


FIG. 1

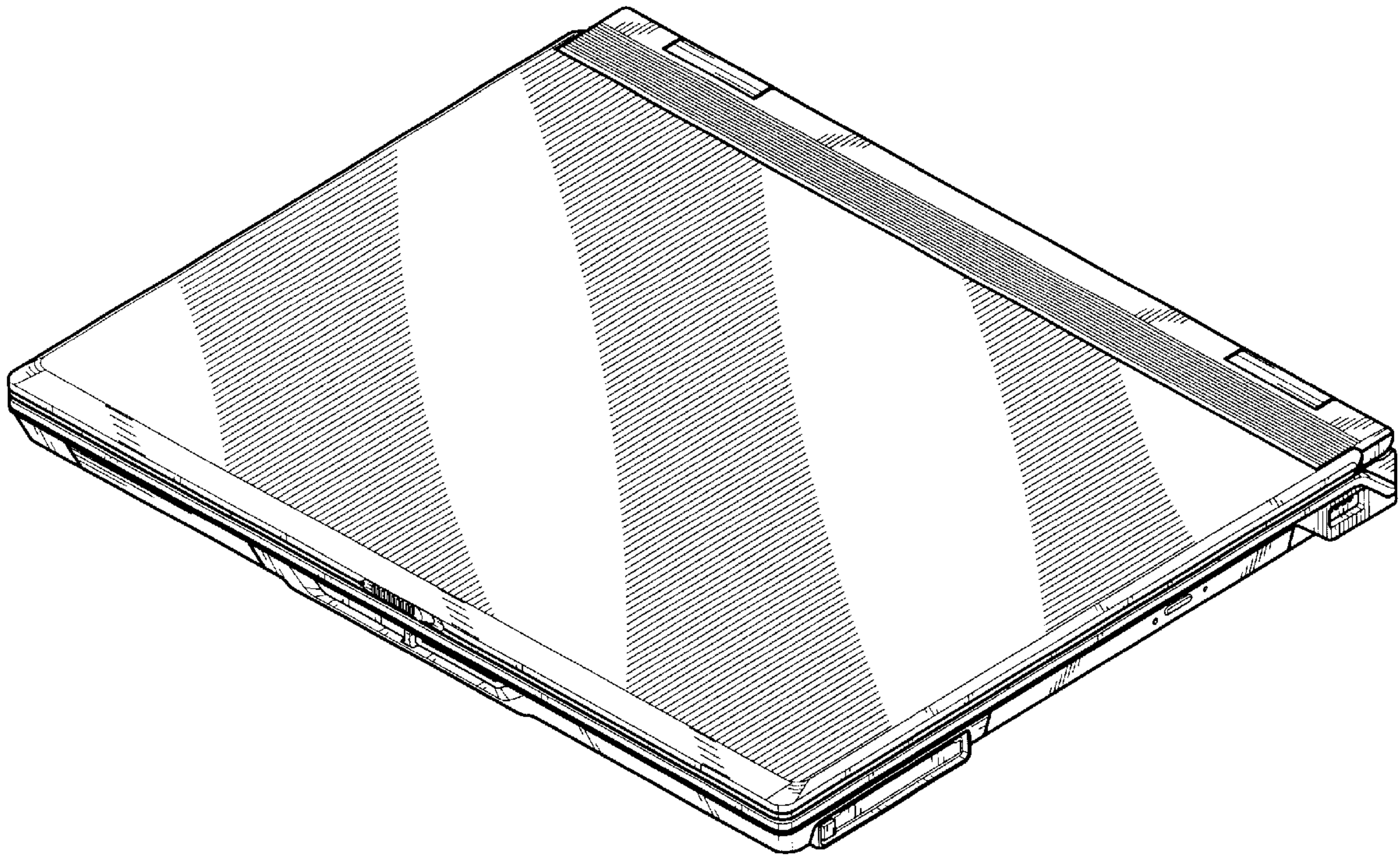


FIG. 2

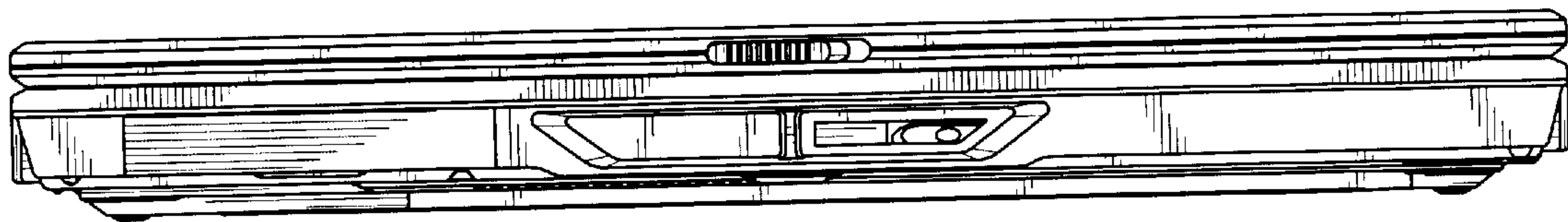


FIG. 3

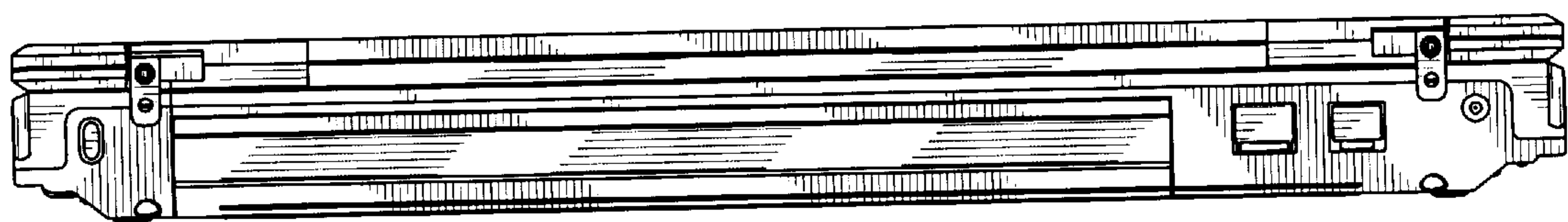


FIG. 4

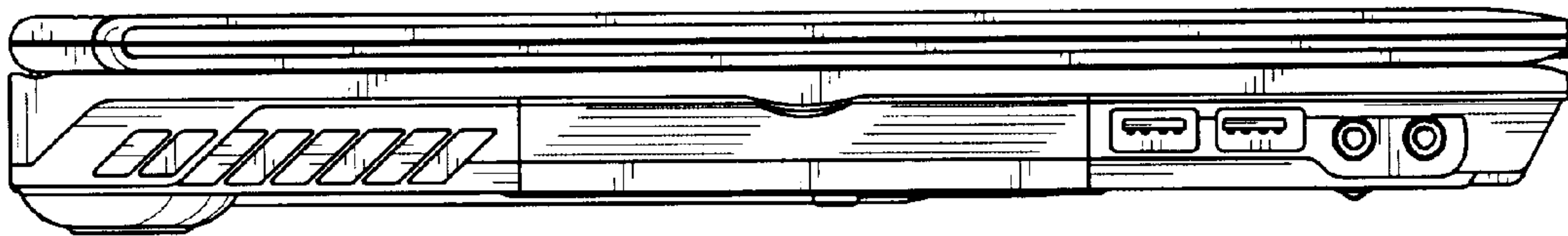


FIG. 5

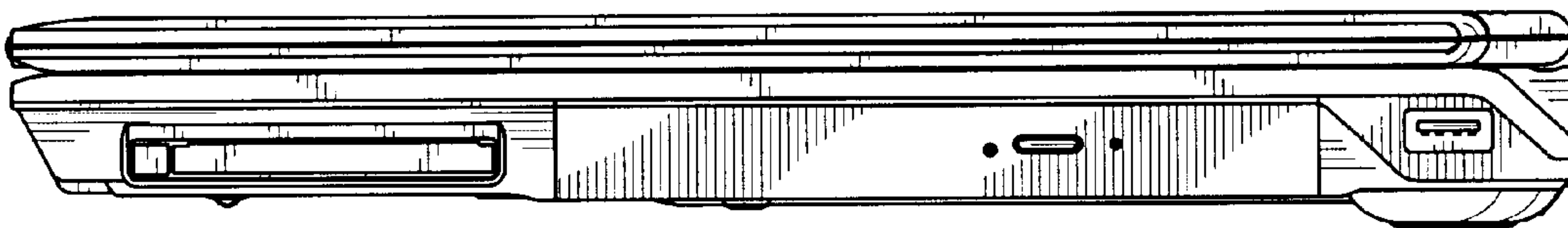


FIG. 6

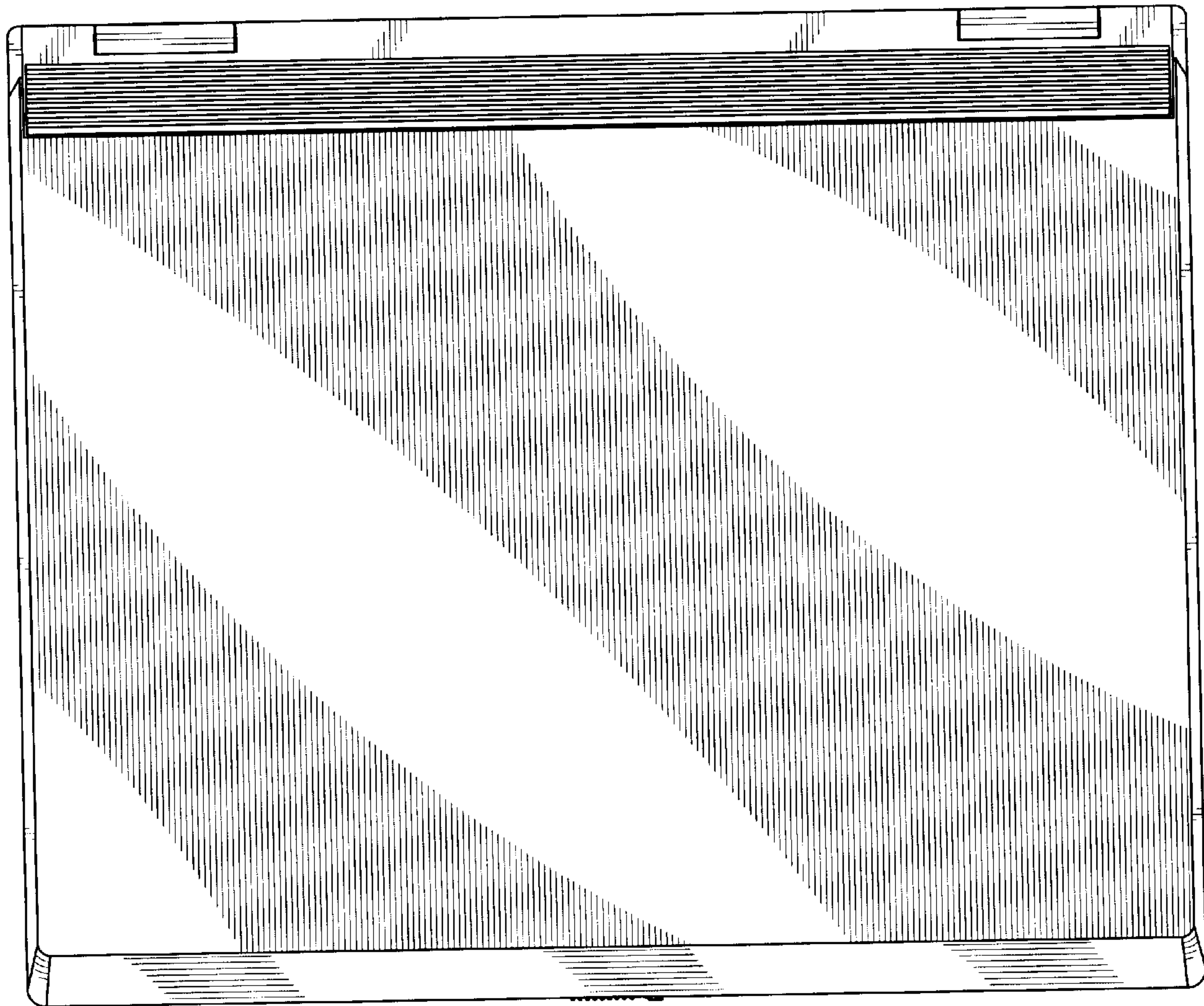


FIG. 7

