

US00D504675S

(12) **United States Design Patent**
Dayan

(10) **Patent No.:** **US D504,675 S**

(45) **Date of Patent:** **** May 3, 2005**

(54) **SPEAKER**

(75) **Inventor:** **Mervin A. Dayan, Oakhurst, NJ (US)**

(73) **Assignee:** **Roadmaster (USA) Corp., Eatontown, NJ (US)**

(**) **Term:** **14 Years**

(21) **Appl. No.:** **29/194,133**

(22) **Filed:** **Nov. 19, 2003**

(51) **LOC (7) Cl. 14-01**

(52) **U.S. Cl. D14/216**

(58) **Field of Search D14/204, 207,**
D14/209-216, 356, 221-222, 224; 181/143-144,
147-148, 150, 157, 198-199, 151, 153;
381/300-302, 306, 333, 345, 361-364,
386-388, 332, 336

(56) **References Cited**

U.S. PATENT DOCUMENTS

2,896,737 A * 7/1959 Gellman 181/153
5,191,177 A * 3/1993 Chi 181/199

D344,951 S * 3/1994 Christie D14/216
D392,640 S * 3/1998 Tully et al. D14/215
D393,642 S * 4/1998 Yuyama D14/216
D444,781 S * 7/2001 McGurty D14/215

* cited by examiner

Primary Examiner—Nanda Bondade

(74) *Attorney, Agent, or Firm*—Wolf, Block, Schorr & Solis-Cohen, LLP; Robert F. Zielinski, Esq.; Richard C. Weinblatt, Esq.

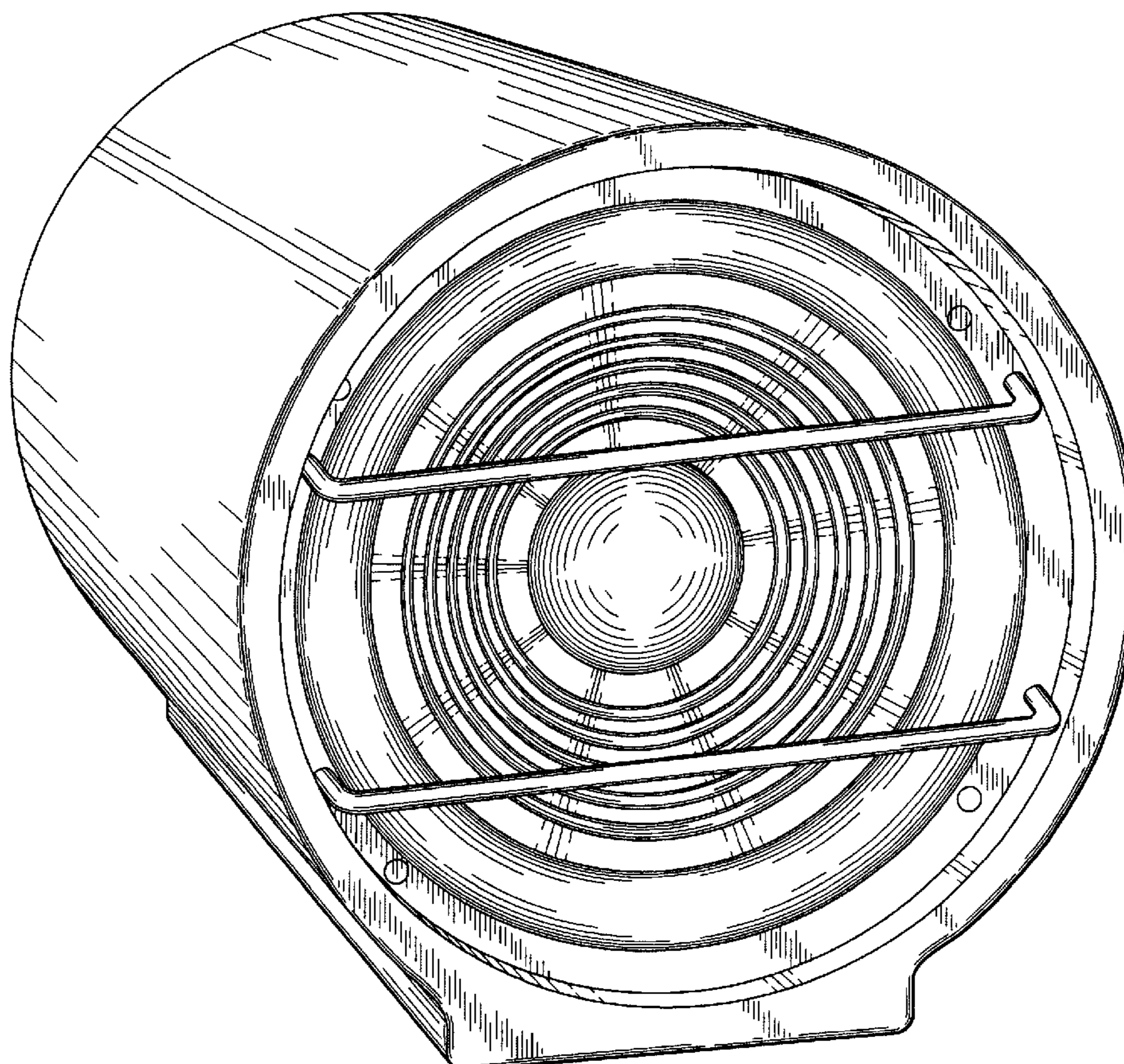
(57) **CLAIM**

The ornamental design for a speaker, as shown and described.

DESCRIPTION

FIG. 1 is a front perspective view of a speaker showing my new design;
FIG. 2 is a front view thereof;
FIG. 3 is a side view thereof;
FIG. 4 is a rear view thereof; and,
FIG. 5 is a rear perspective view thereof.

1 Claim, 5 Drawing Sheets



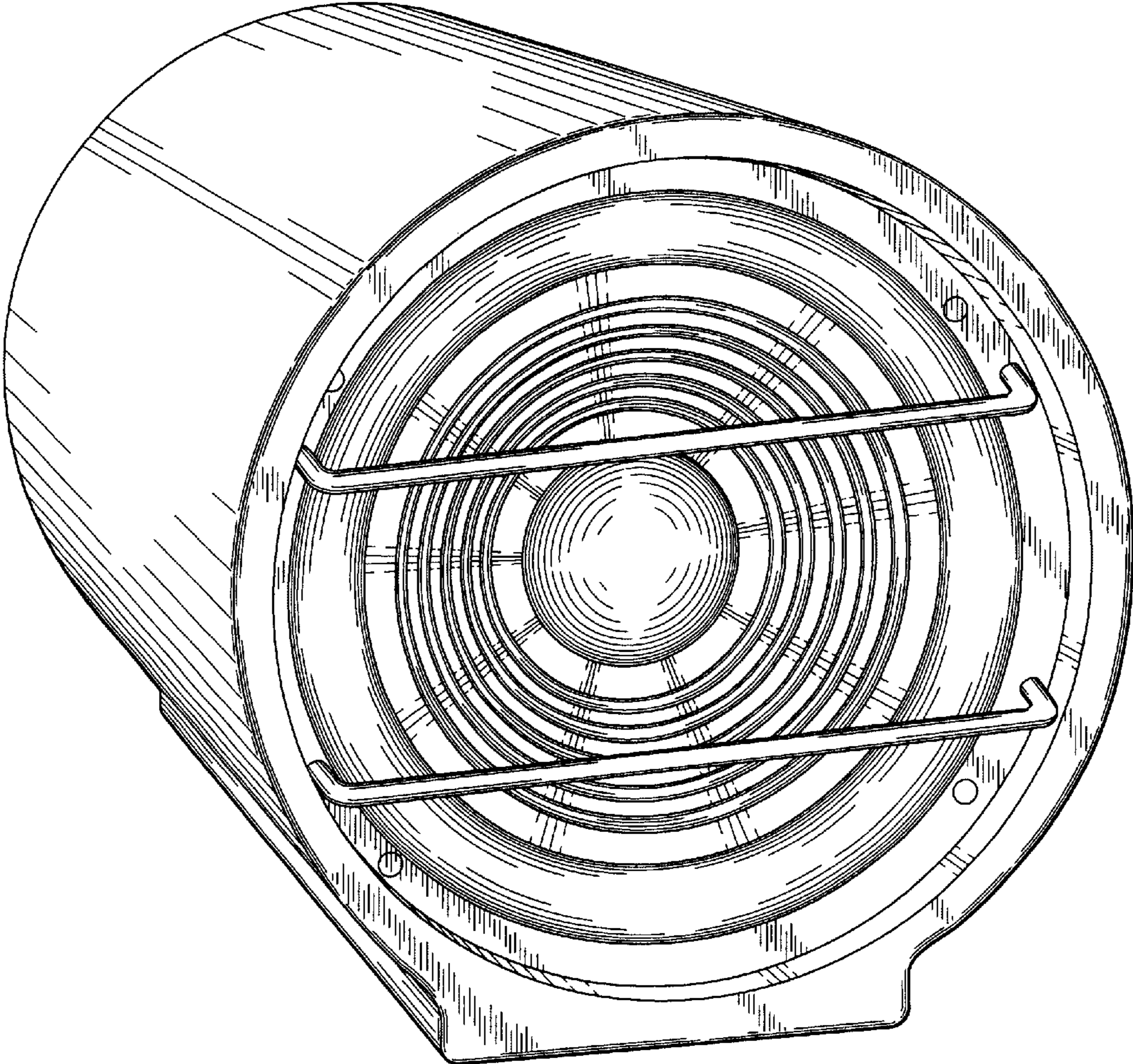


FIG. 1

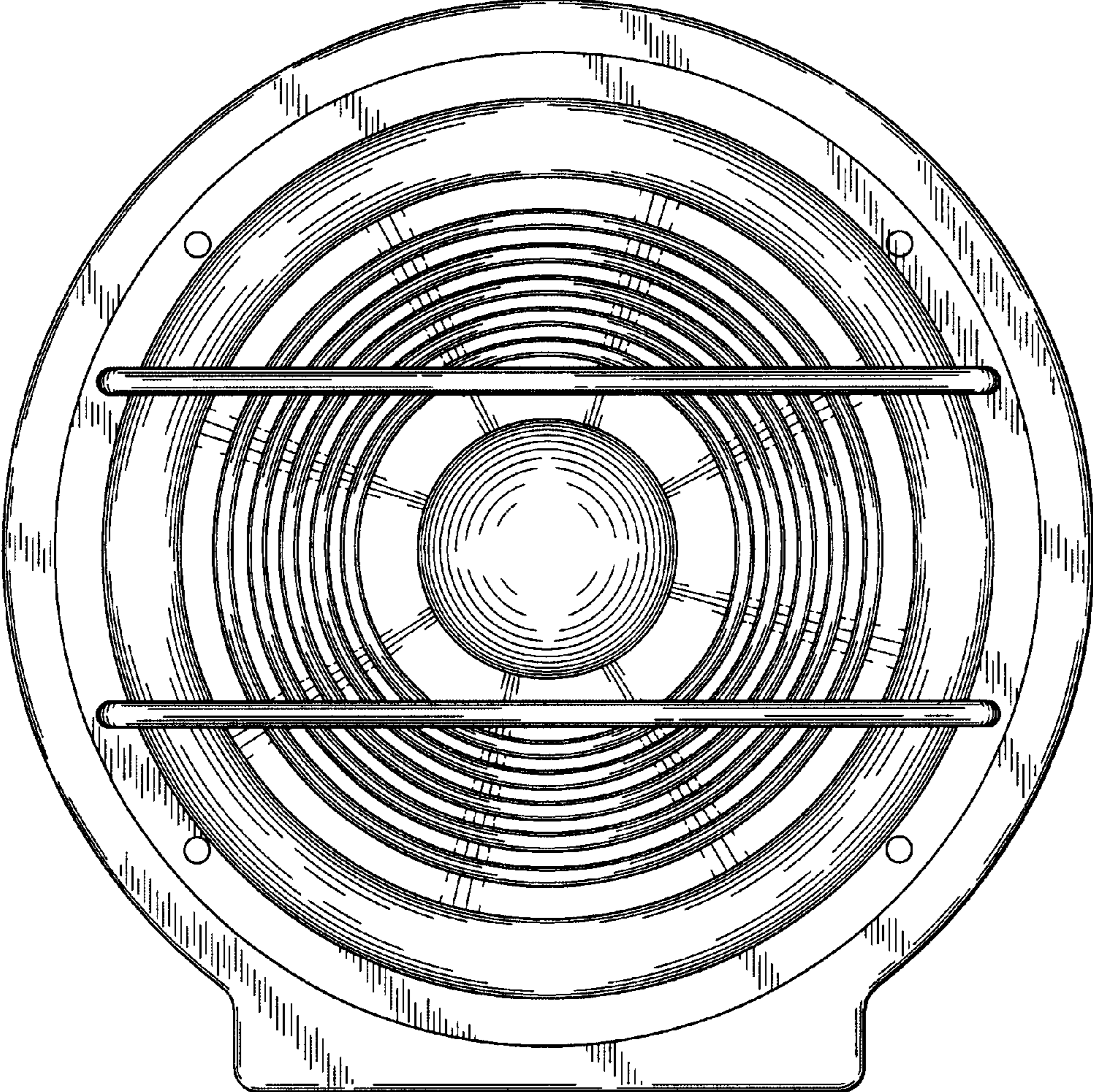


FIG. 2

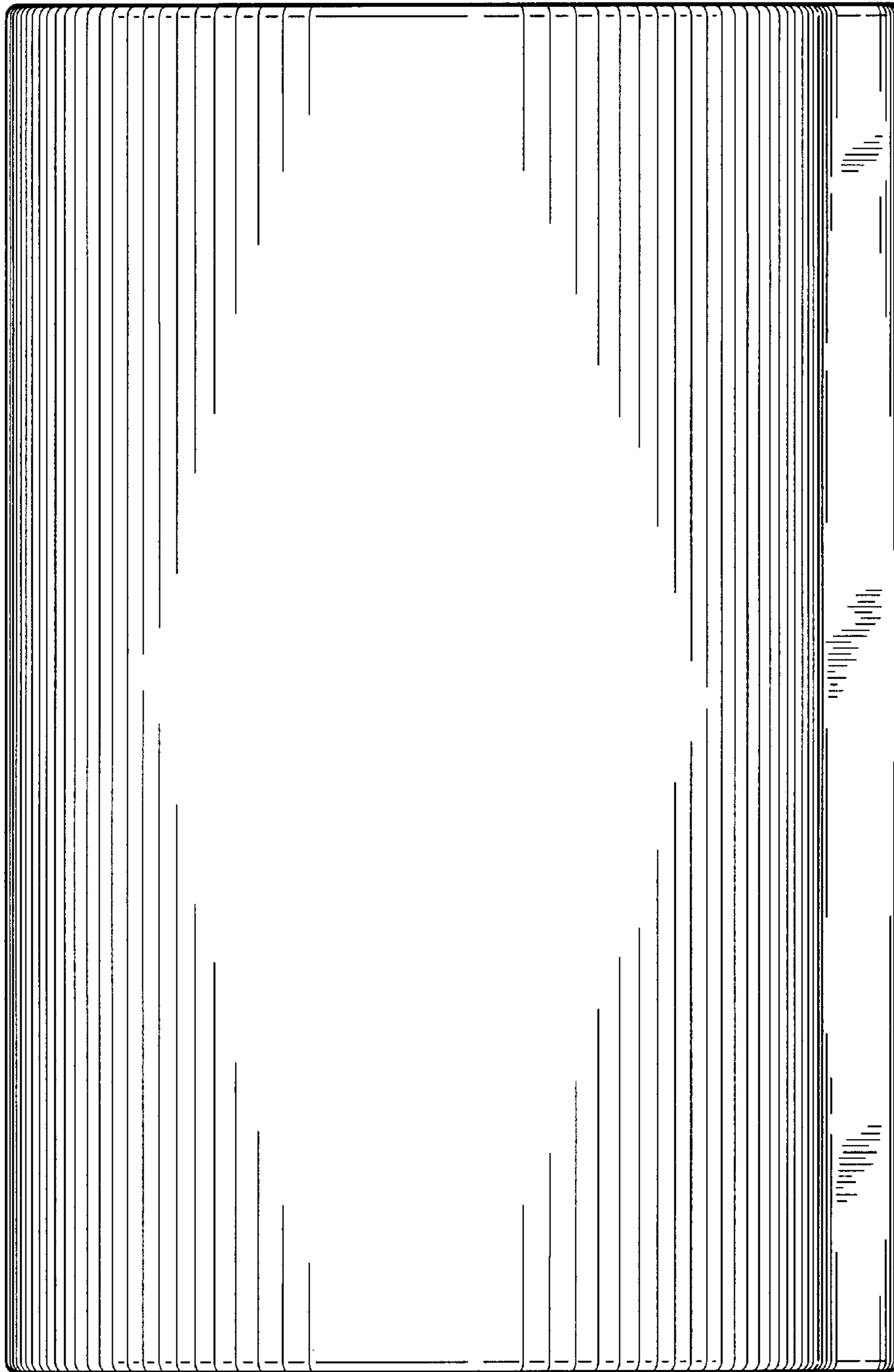


FIG.3

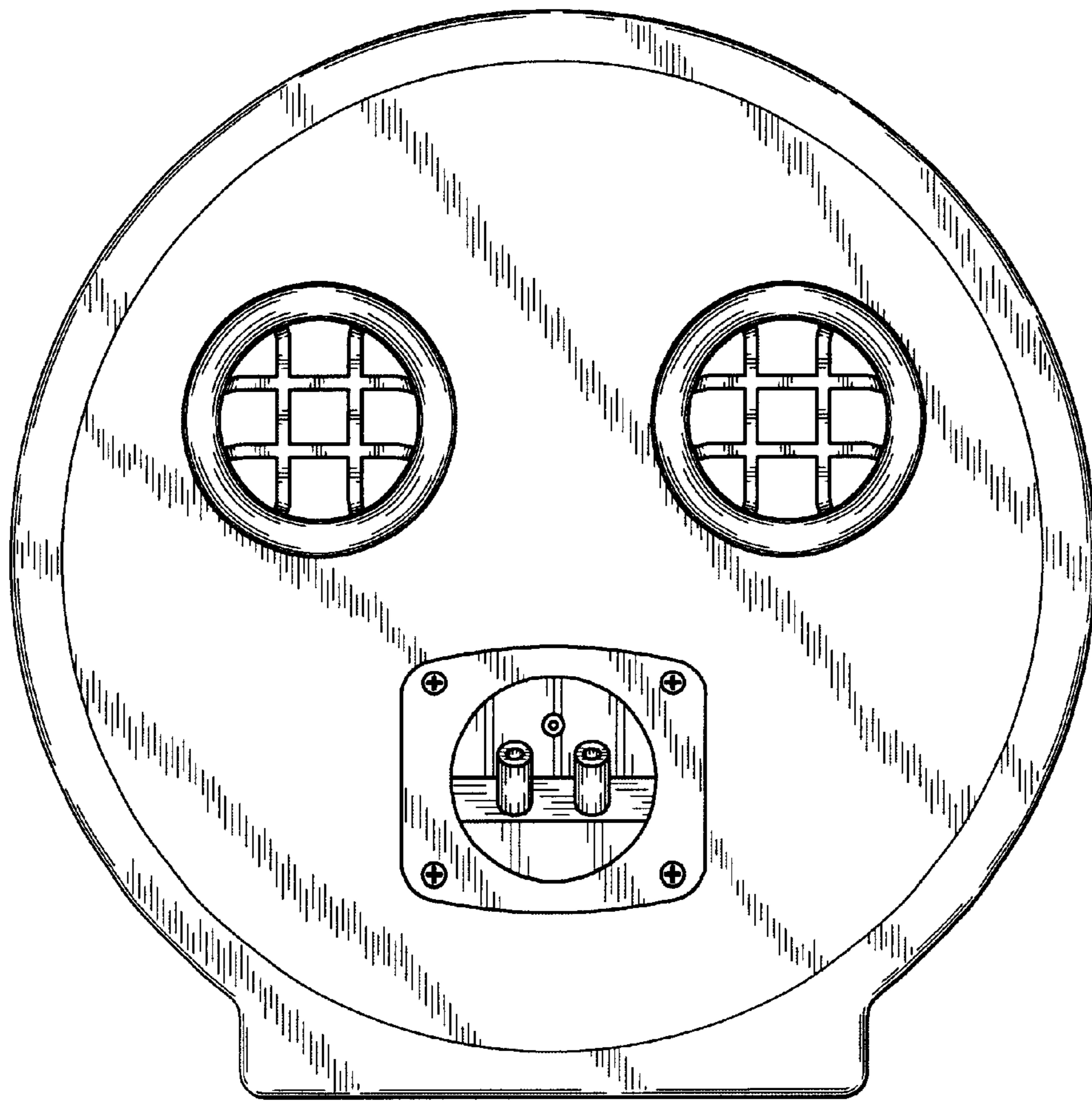


FIG. 4

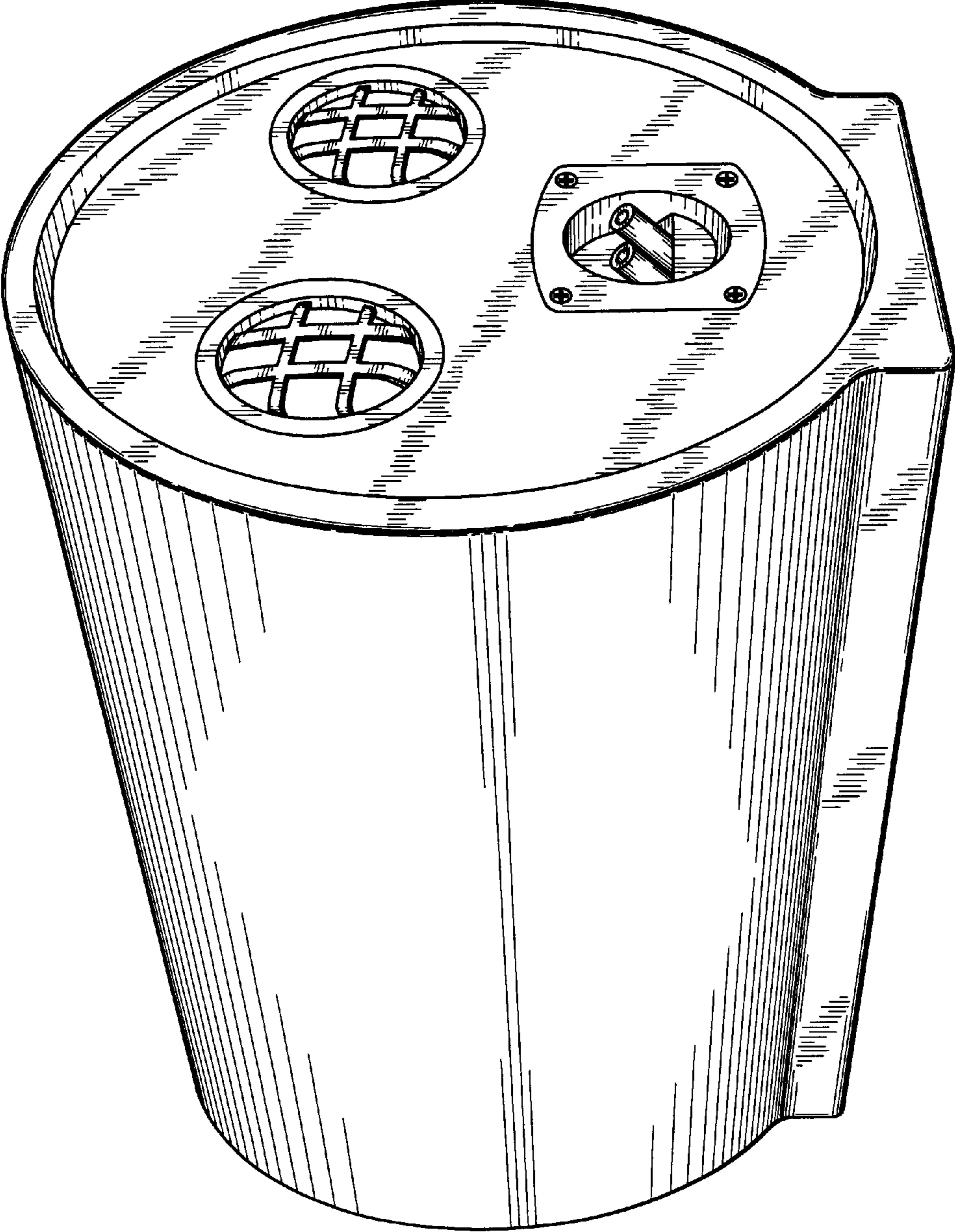


FIG.5