

US00D504669S

(12) **United States Design Patent** (10) **Patent No.:** **US D504,669 S**  
**Fujiki** (45) **Date of Patent:** **\*\* May 3, 2005**

(54) **TELEVISION RECEIVER**

(75) **Inventor:** **Gen Fujiki, Tokyo (JP)**  
(73) **Assignee:** **Sony Corporation, Tokyo (JP)**  
(\*\*) **Term:** **14 Years**

(21) **Appl. No.:** **29/198,403**  
(22) **Filed:** **Jan. 30, 2004**

(51) **LOC (7) Cl. .... 14-03**  
(52) **U.S. Cl. .... D14/126**  
(58) **Field of Search .... D14/125-134,**  
**D14/239, 371, 374-376; 312/7.2; 348/836,**  
**838, 180, 184, 325, 739; 341/12; 248/917-924;**  
**345/104, 133, 156, 168, 87, 173**

(56) **References Cited**

**U.S. PATENT DOCUMENTS**

D441,732 S	*	5/2001	Ota	.....	D14/126
D460,056 S	*	7/2002	Niitsu	.....	D14/126
D472,532 S		4/2003	Niitsu		
D472,533 S		4/2003	Kanatani et al.		
D475,356 S		6/2003	Niitsu		
D486,803 S	*	2/2004	Fujiki et al.	.....	D14/133
D489,042 S	*	4/2004	Joe et al.	.....	D14/126
D494,942 S	*	8/2004	Forlenza	.....	D14/128
D497,352 S	*	10/2004	Asanuma et al.	.....	D14/126

**OTHER PUBLICATIONS**

Web page "KDE-P50H1" 1 sheet, Sony (Nov. 2003).  
Web page "KDL-L30HX1" 1 sheet, Sony (Nov. 2003).  
Web page "LT32A23W" 1 sheet, SAMSUNG Japan (Nov. 2003).

\* cited by examiner

*Primary Examiner*—Raphael Barkai  
(74) *Attorney, Agent, or Firm*—Rader, Fishman & Grauer PLLC

(57) **CLAIM**

The ornamental design for a television receiver, as shown and described.

**DESCRIPTION**

FIG. 1 is a perspective view of a television receiver showing my new design;  
FIG. 2 is a front elevational view thereof;  
FIG. 3 is a rear elevational view thereof;  
FIG. 4 is a right side elevational view thereof;  
FIG. 5 is a left side elevational view thereof;  
FIG. 6 is a top plan view thereof; and,  
FIG. 7 is a bottom plan view thereof.  
Portions of FIGS. 1-7 that are shown as broken lines are for illustrative purpose only and form no part of the claimed design.

**1 Claim, 4 Drawing Sheets**

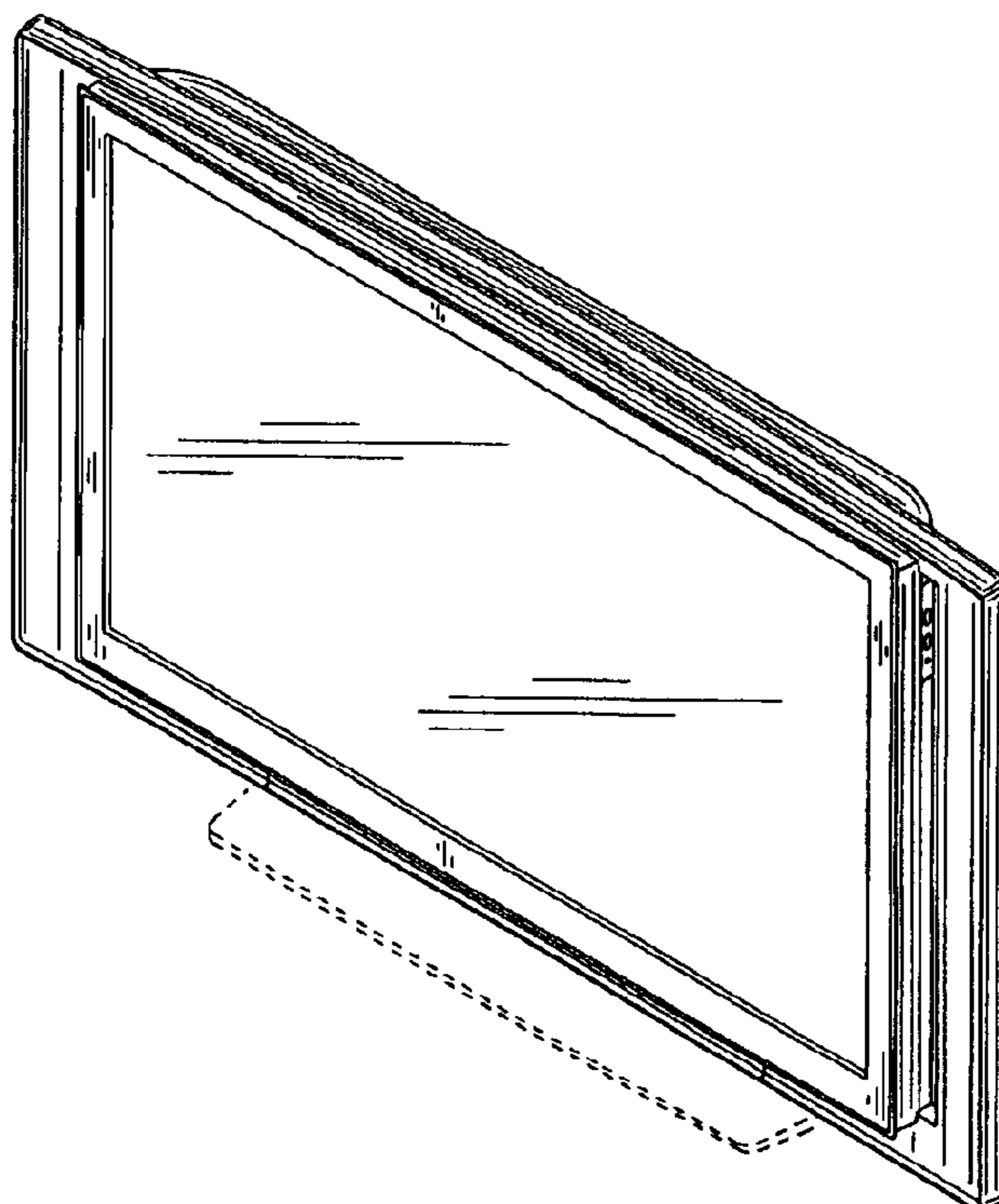


Fig. 1

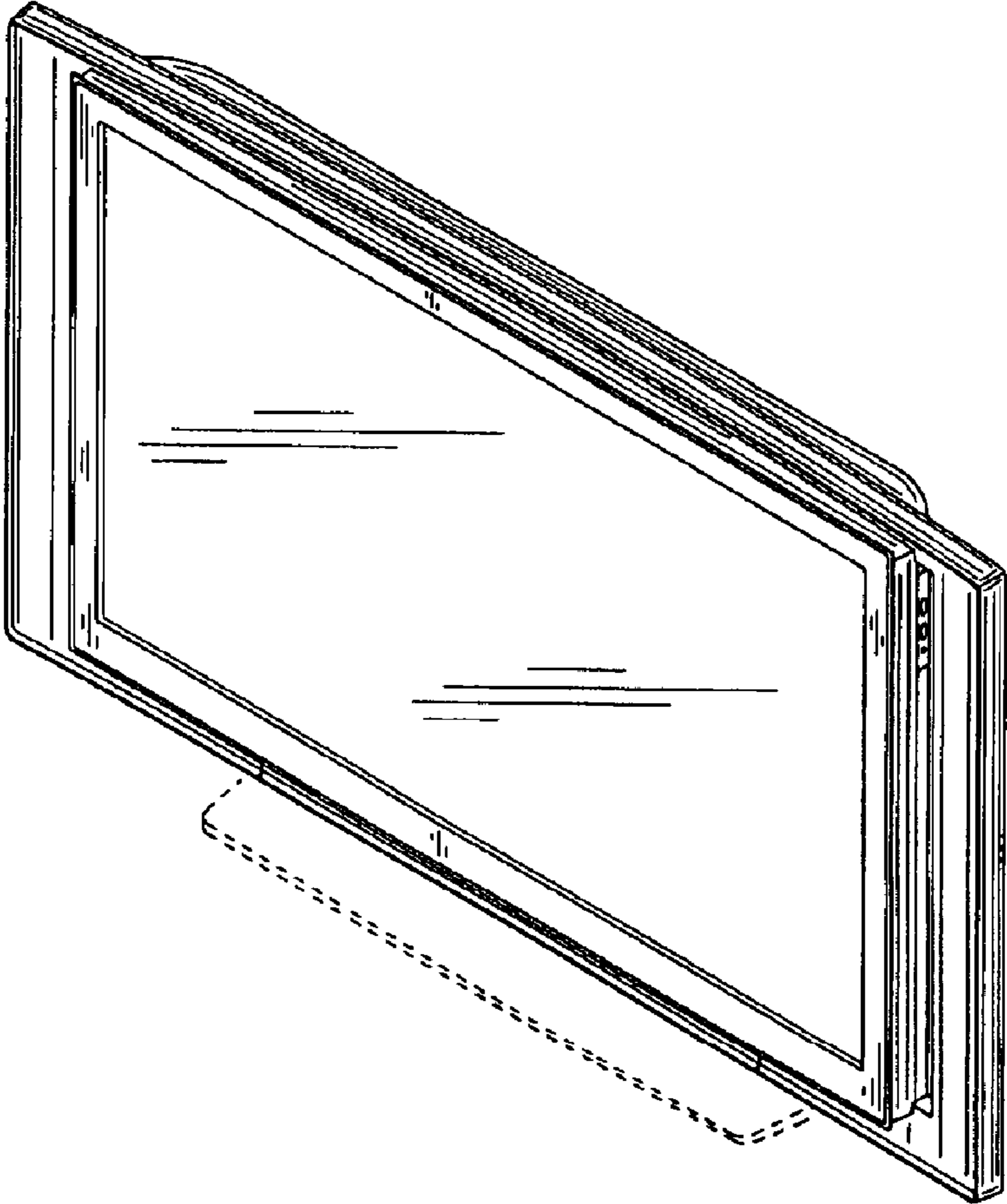


Fig.2

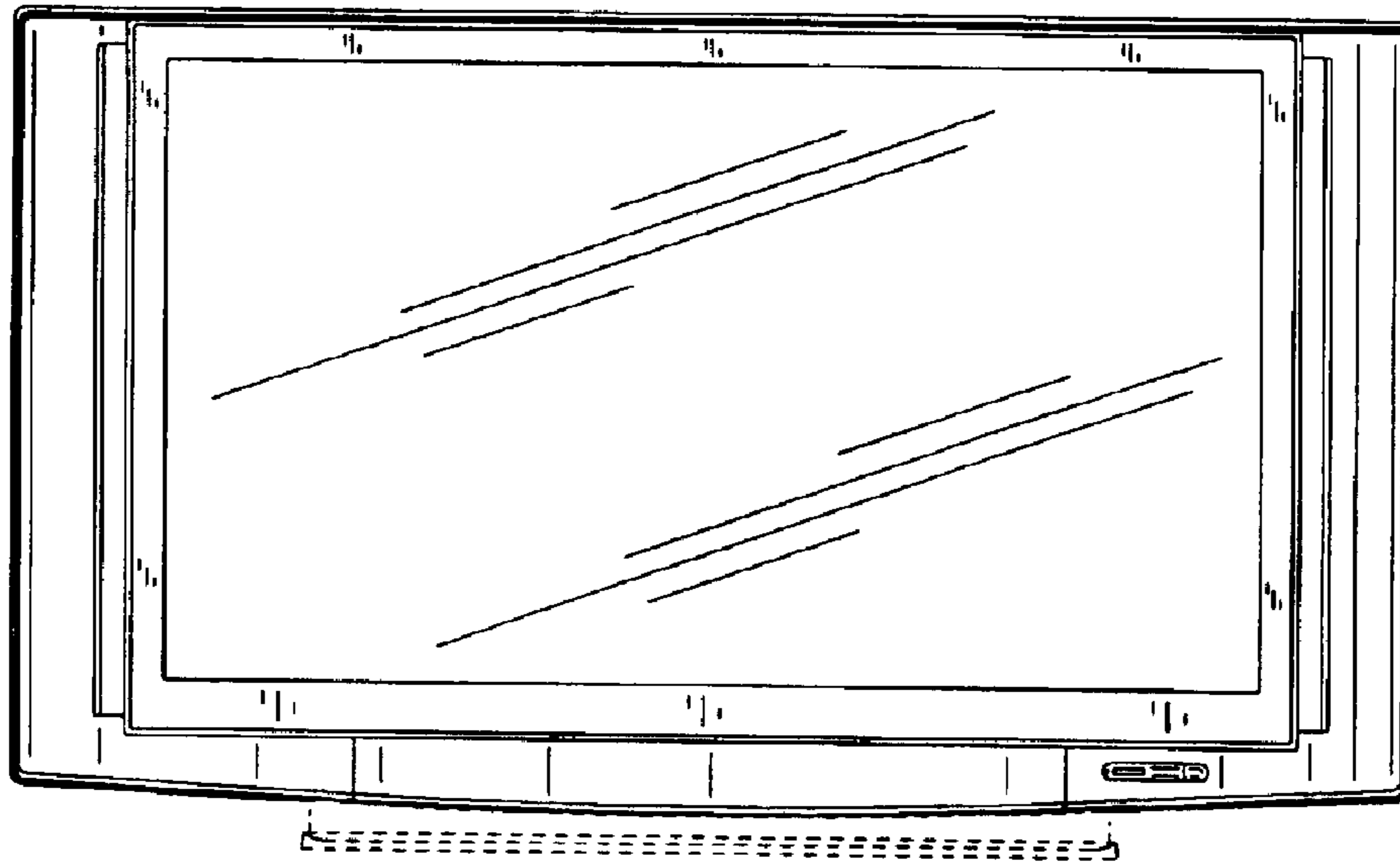


Fig.3

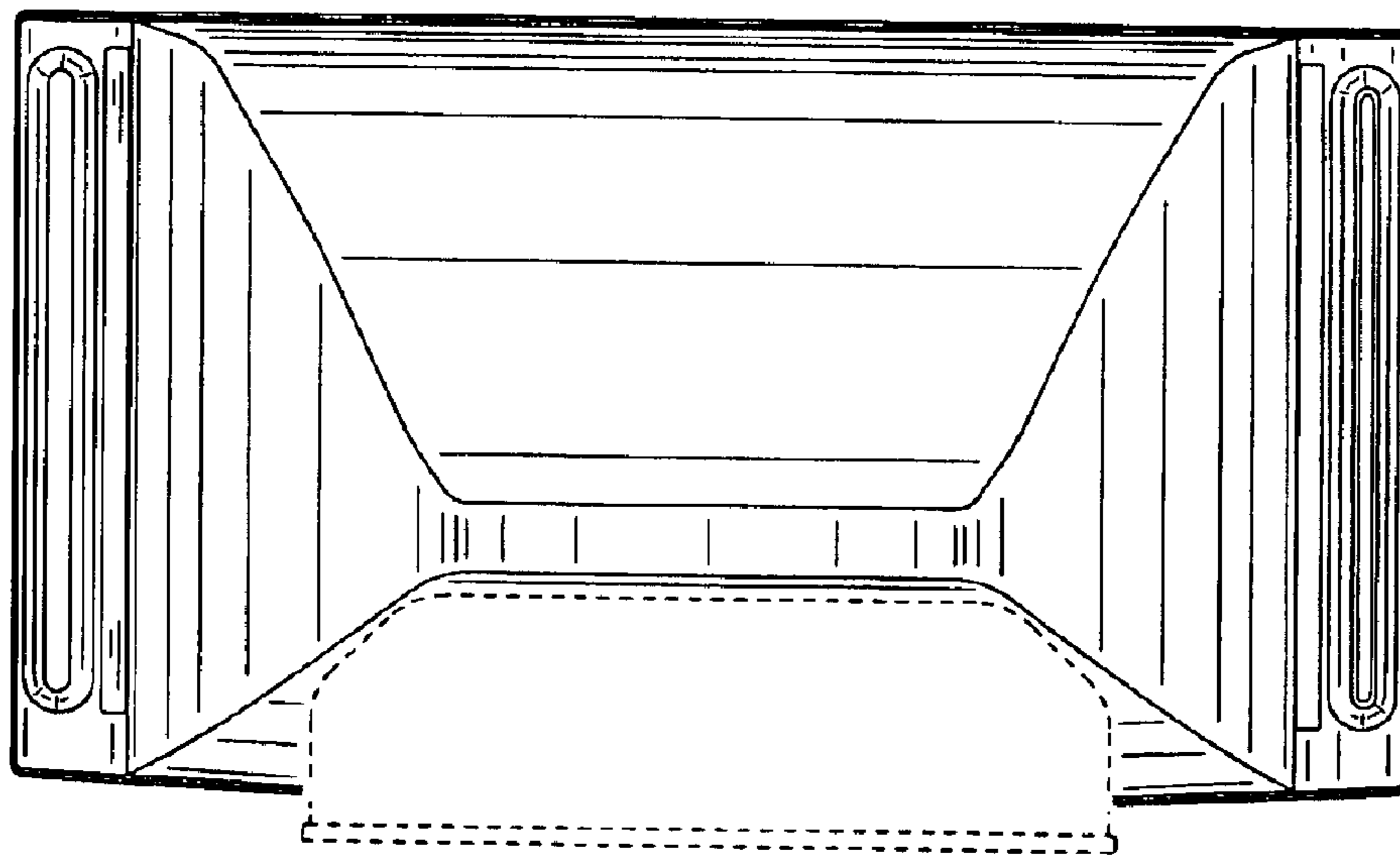


Fig.4

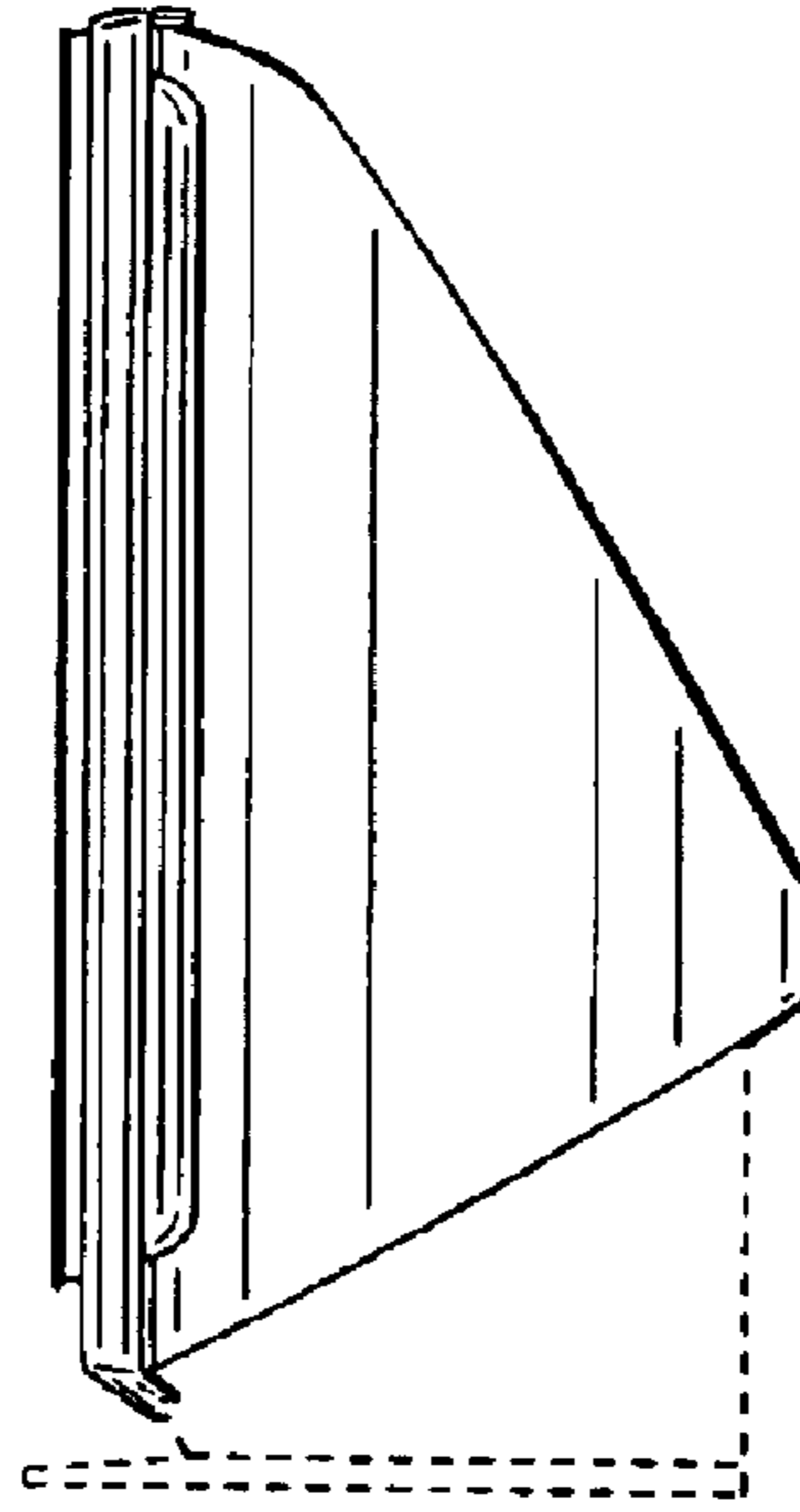


Fig.5

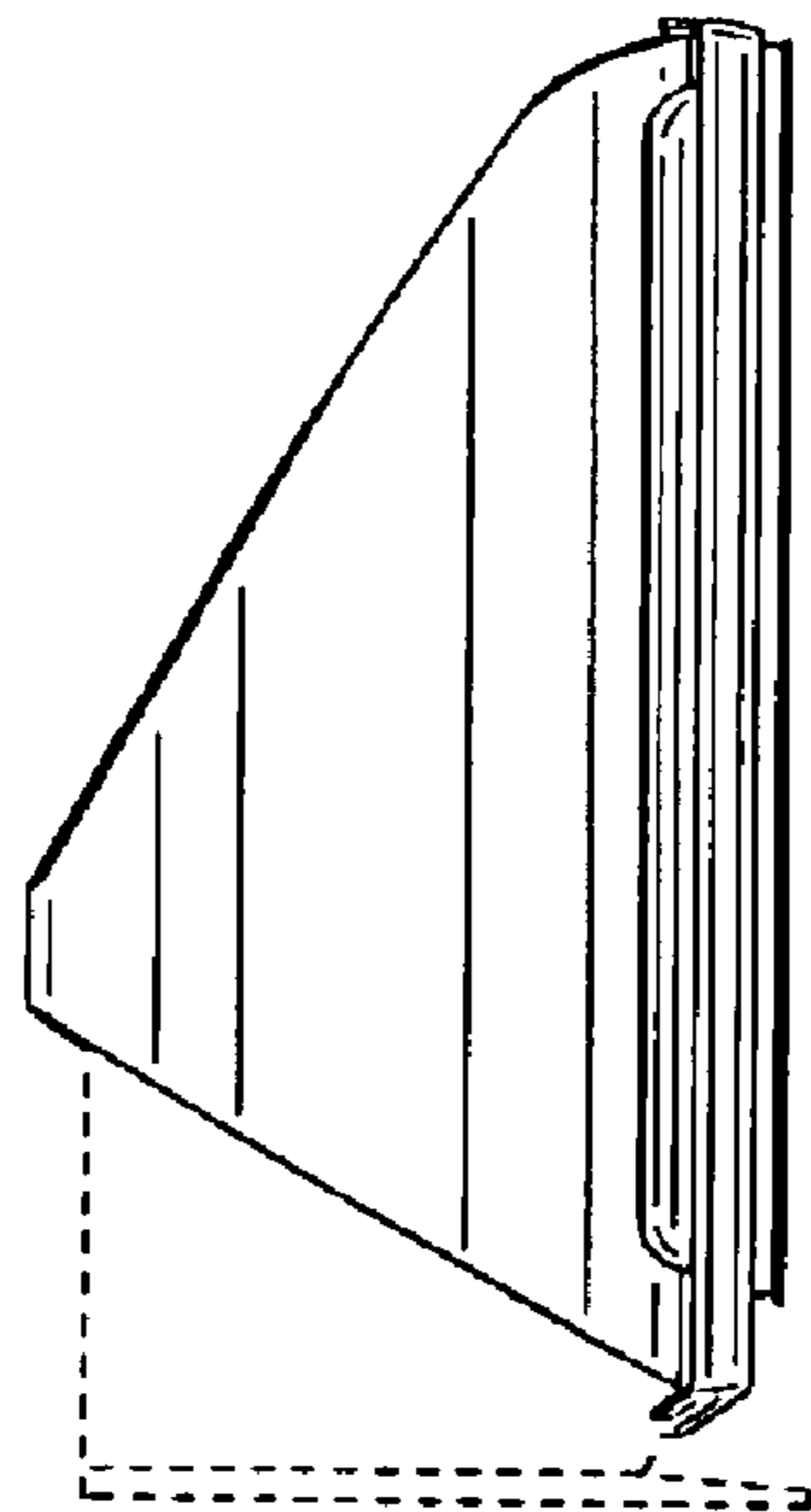


Fig.6

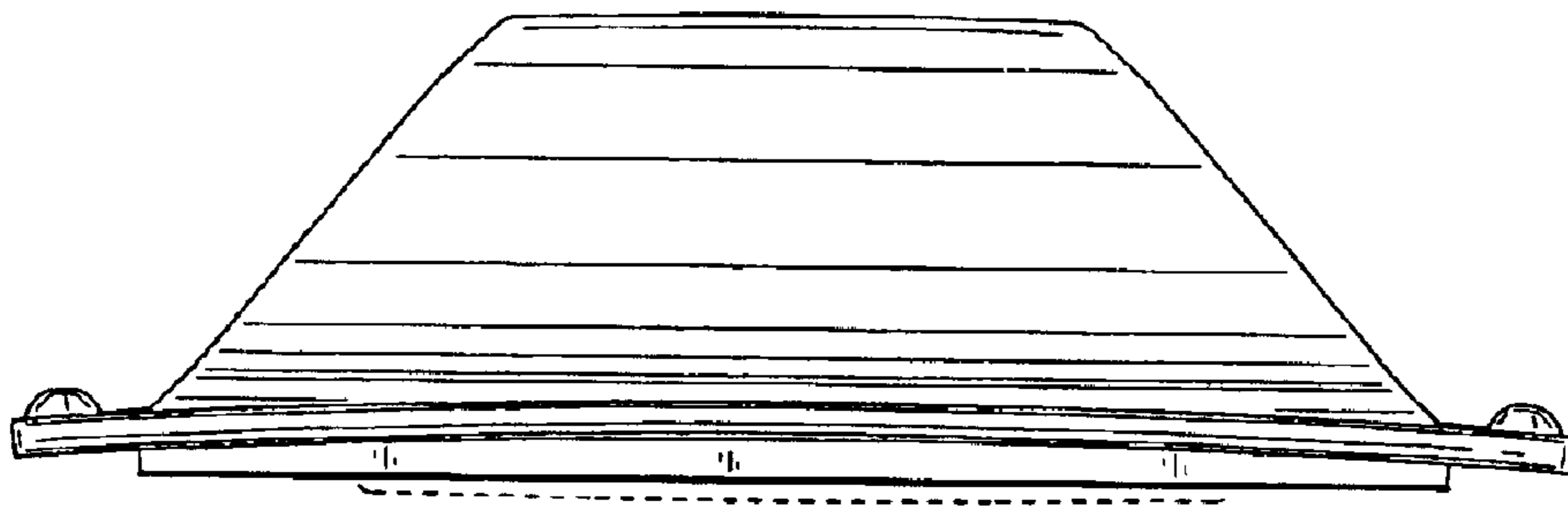


Fig.7

