

US00D504667S

(12) **United States Design Patent**  
Savicki, Jr. et al.

(10) **Patent No.:** **US D504,667 S**

(45) **Date of Patent:** **\*\* May 3, 2005**

(54) **ELECTRICAL DEVICE**

(75) Inventors: **Gerald R. Savicki, Jr.**, Canastota, NY (US); **Kenneth D. Vought**, Syracuse, NY (US); **Yann Kulp**, Liverpool, NY (US)

(73) Assignee: **Pass & Seymour, Inc.**, Syracuse, NY (US)

(\*\*) Term: **14 Years**

(21) Appl. No.: **29/213,062**

(22) Filed: **Sep. 13, 2004**

**Related U.S. Application Data**

(60) Division of application No. 29/198,262, filed on Jan. 27, 2004, and a continuation-in-part of application No. 10/729,566, filed on Dec. 5, 2003, and a continuation-in-part of application No. 10/726,173, filed on Dec. 2, 2003.

(51) **LOC (7) Cl.** ..... **13-03**

(52) **U.S. Cl.** ..... **D13/169**

(58) **Field of Search** ..... D13/169, 170, D13/171, 174, 177, 164, 139.1, 139; D8/350, 353; 200/1 R, 6 R, 5 A, 5 R, 296, 302.3, 315, 330, 334, 339, 341, 520, 525, 553; 335/205; 439/491, 535

(56) **References Cited**

**U.S. PATENT DOCUMENTS**

D210,590 S \* 3/1968 Edmission ..... D8/353

3,432,611 A	*	3/1969	Gaines et al. ....	174/66
4,221,941 A	*	9/1980	Genovese .....	200/457
4,242,551 A	*	12/1980	Sorenson .....	200/302.3
D302,546 S	*	8/1989	Ellis, Jr. ....	D13/164
D331,742 S	*	12/1992	Fujiyoshi .....	D13/169
5,414,231 A	*	5/1995	Sato et al. ....	200/1 R
D394,042 S	*	5/1998	Hwang .....	D13/171
5,783,787 A	*	7/1998	Data .....	200/5 R
5,895,888 A	*	4/1999	Arenas et al. ....	174/66
6,309,248 B1	*	10/2001	King .....	439/535
D472,525 S	*	4/2003	Barone .....	D13/169
6,586,694 B2	*	7/2003	Shotey et al. ....	200/333

\* cited by examiner

*Primary Examiner*—Stella Reid

*Assistant Examiner*—Selina Sikder

(74) *Attorney, Agent, or Firm*—William Greener; Bond, Schoeneck & King PLLC

(57) **CLAIM**

The ornamental design for an electrical device, as shown and described.

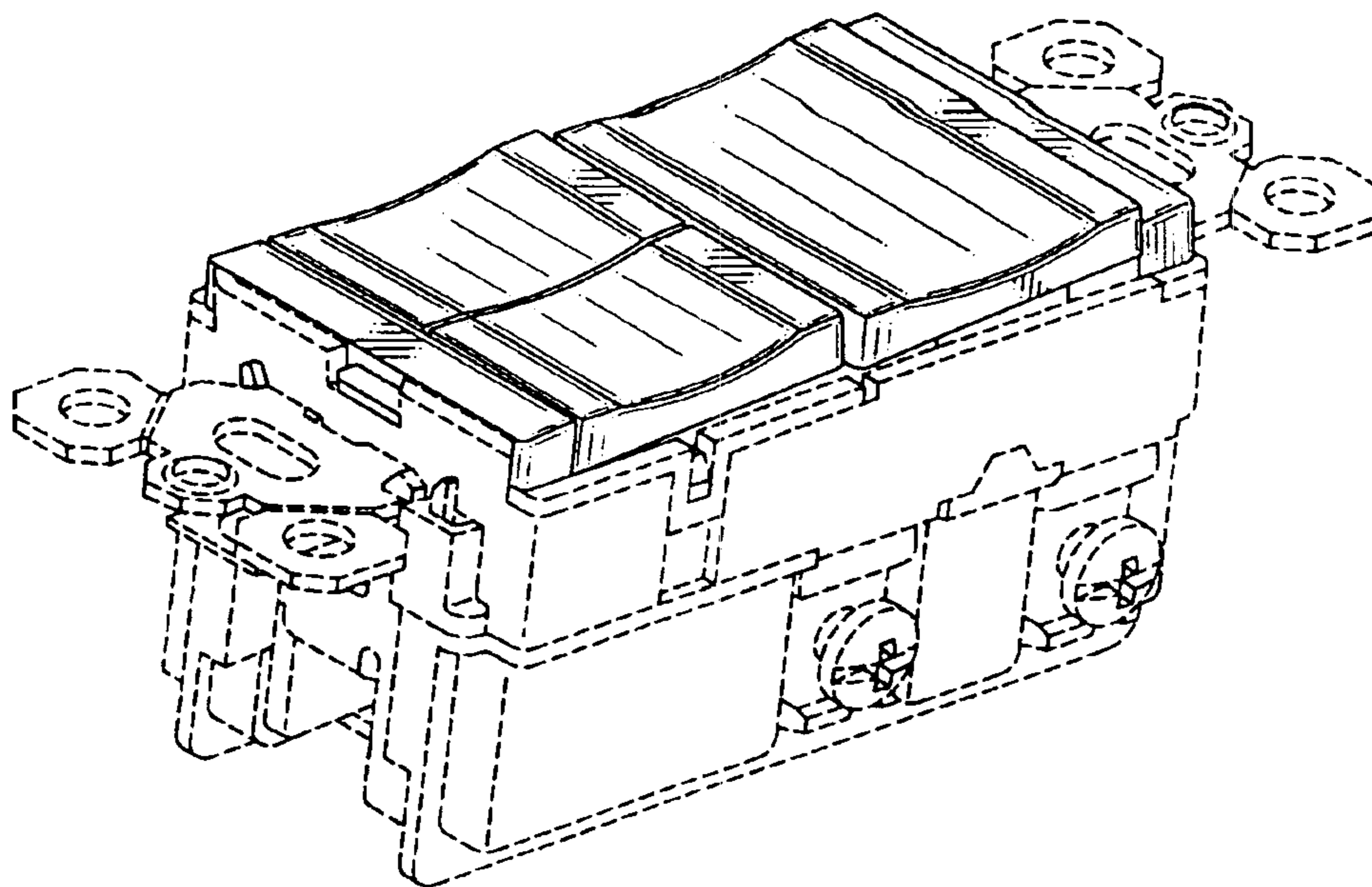
**DESCRIPTION**

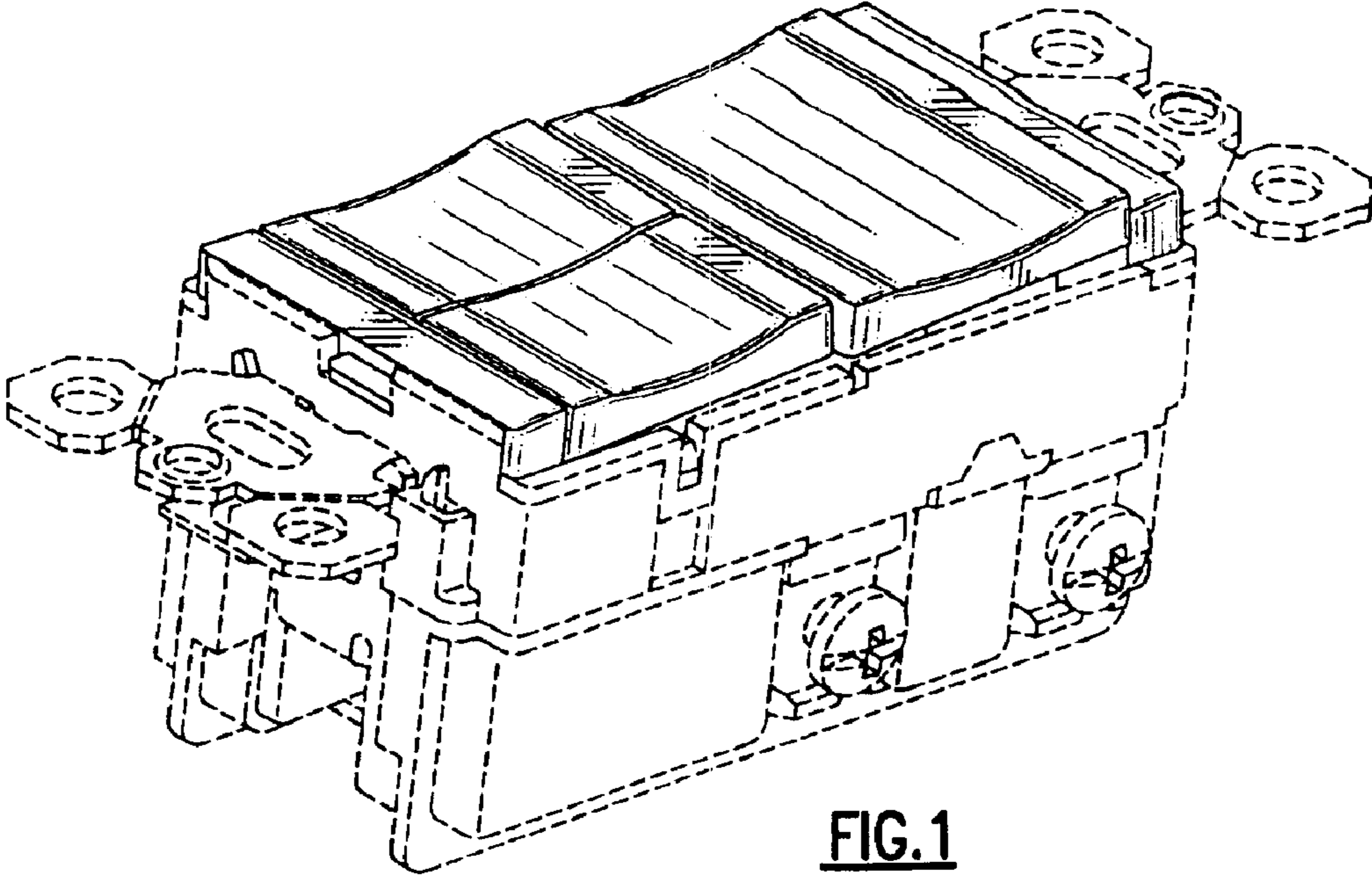
FIG. 1 is a perspective view of an electrical device showing our new design; and,

FIG. 2 is a front elevation view of the electrical device.

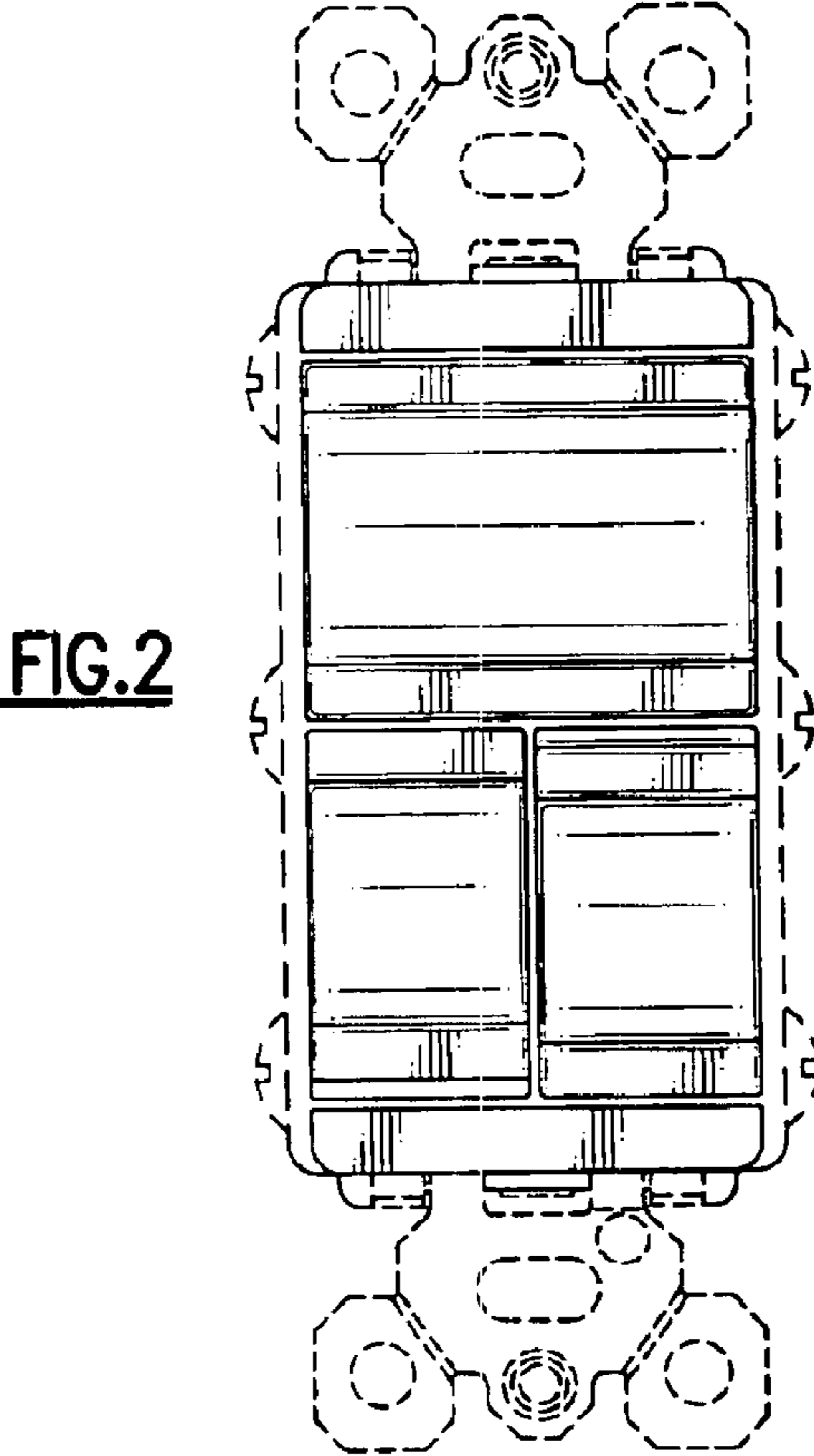
In FIGS. 1 and 2, the broken line illustrations of the environmental structure form no part of the claimed invention.

**1 Claim, 1 Drawing Sheet**





**FIG. 1**



**FIG. 2**