

US00D504666S

(12) **United States Design Patent**  
**Cockburn**

(10) **Patent No.:** **US D504,666 S**

(45) **Date of Patent:** **\*\* May 3, 2005**

(54) **CLOSURE FOR CONDUITS FOR CABLES**

6,803,087 B2 \* 10/2004 Brew et al. .... 428/116

(75) Inventor: **Kevin Thomas Cockburn**, Jedburgh (GB)

\* cited by examiner

(73) Assignee: **Emtelle (UK) Limited**, Scotland (GB)

*Primary Examiner*—Alan P. Douglas

*Assistant Examiner*—Susan M Lee

(\*\*) Term: **14 Years**

(74) *Attorney, Agent, or Firm*—Zilka-Kotab, PC

(21) Appl. No.: **29/212,120**

(57) **CLAIM**

(22) Filed: **Aug. 26, 2004**

The ornamental design for a closure for conduits for cables, as shown and described.

(51) **LOC (7) Cl.** ..... **13-03**

**DESCRIPTION**

(52) **U.S. Cl.** ..... **D13/155**

(58) **Field of Search** ..... D13/155, 153;  
D23/336; D25/122; D8/29; 174/60, 138 F,  
112, 95, 72; 138/108–116, 103, 173, 177;  
285/411, 417

FIG. 1 is a front perspective view of a first embodiment of the closure without a protective cover;

FIG. 2 is a rear perspective view of the first embodiment of the closure without a protective cover;

FIG. 3 is a side view of the first embodiment of the closure without a protective cover;

FIG. 4 is a front perspective view of a second embodiment of the closure with a protective cover;

FIG. 5 is a rear perspective view of the second embodiment of the closure with the protective cover; and,

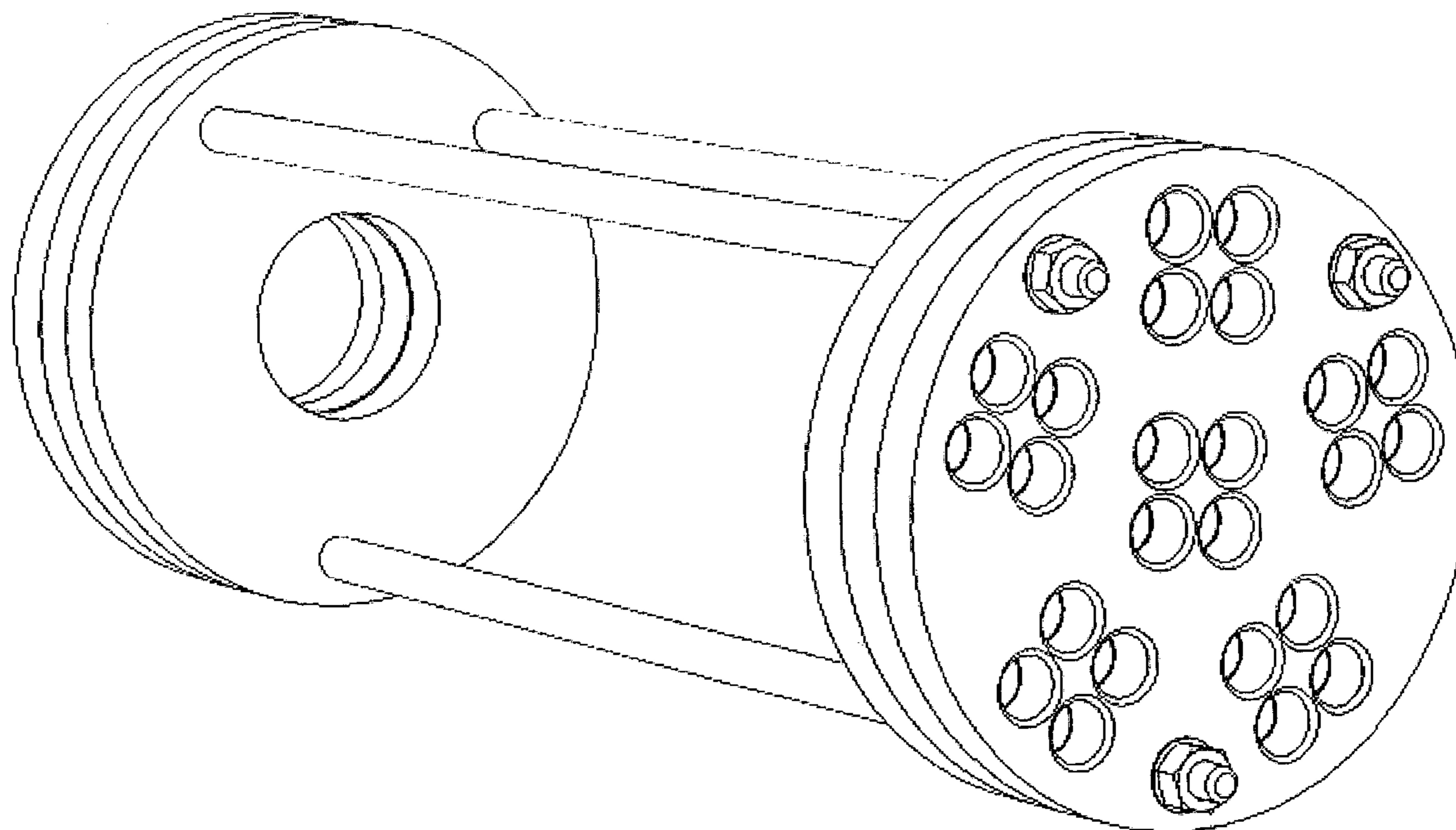
FIG. 6 is a side view of the second embodiment of the closure with the protective cover.

(56) **References Cited**

**U.S. PATENT DOCUMENTS**

253,029	A	*	1/1882	French	.....	138/114
1,856,676	A	*	5/1932	Kirby	.....	174/112
2,550,725	A	*	5/1951	Schultz	.....	138/116
5,038,834	A	*	8/1991	Siegfried	.....	138/173
D385,762	S	*	11/1997	Marks	.....	D8/29
6,079,134	A	*	6/2000	Beshah	.....	40/316

**1 Claim, 6 Drawing Sheets**



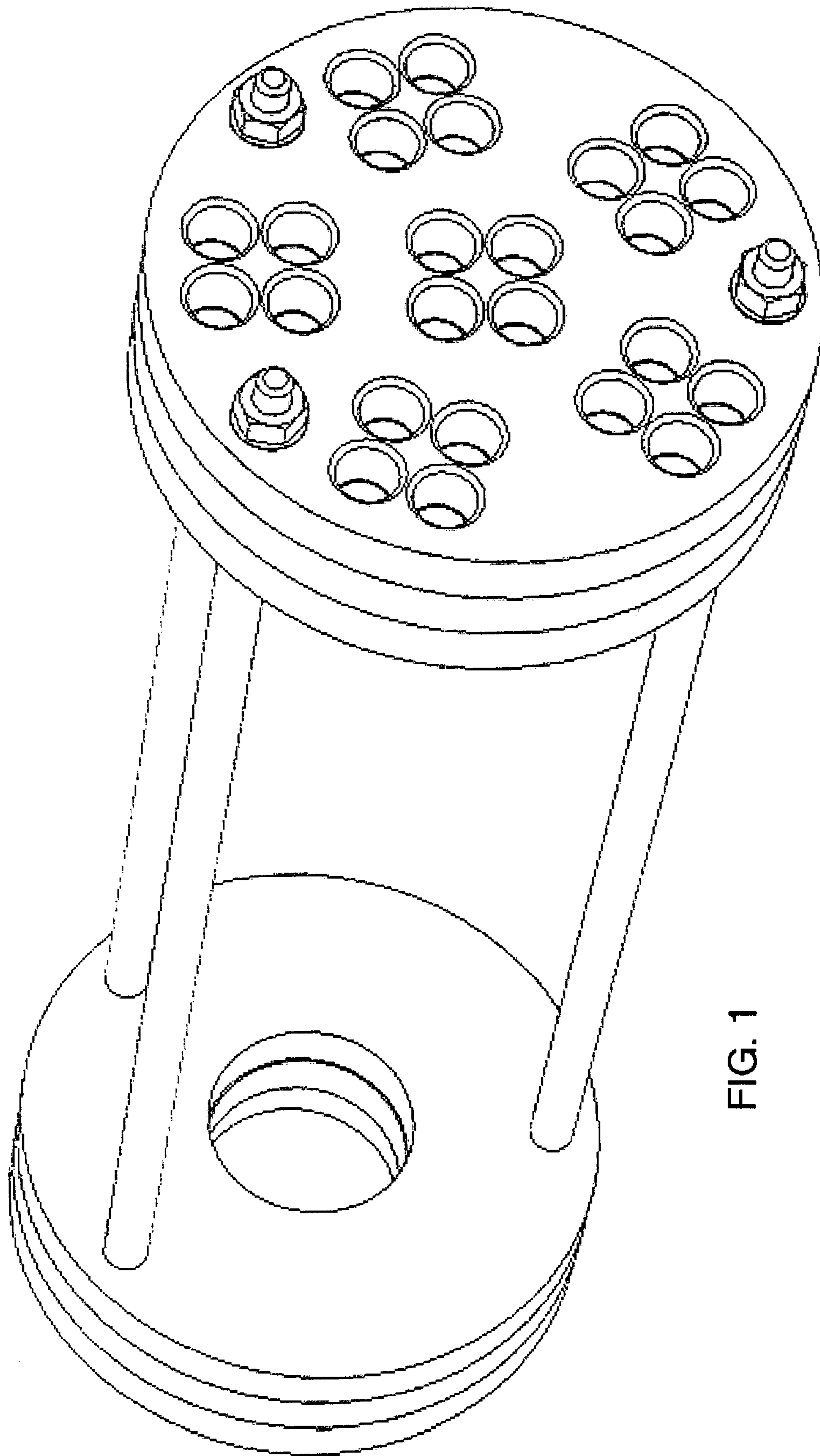


FIG. 1

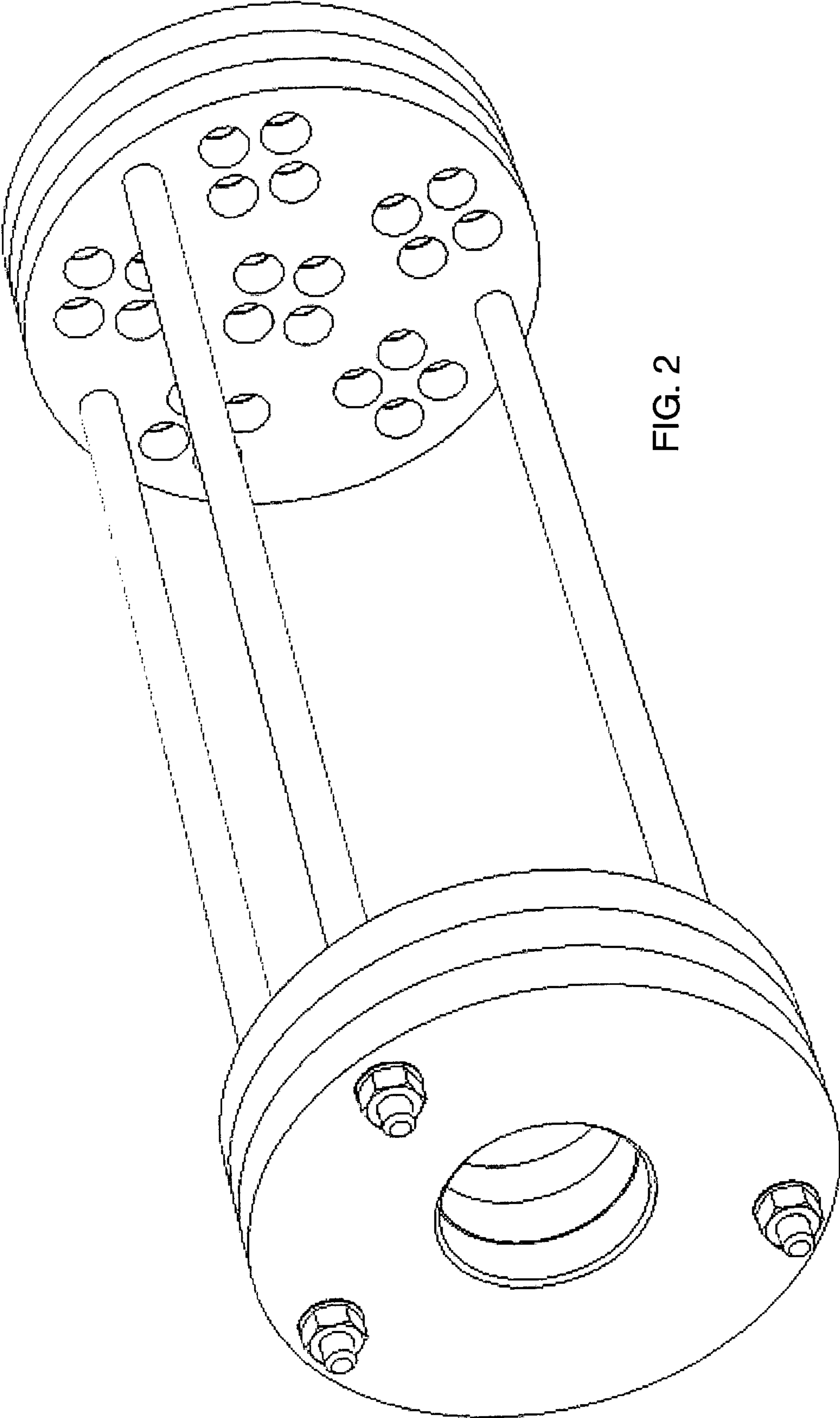


FIG. 2

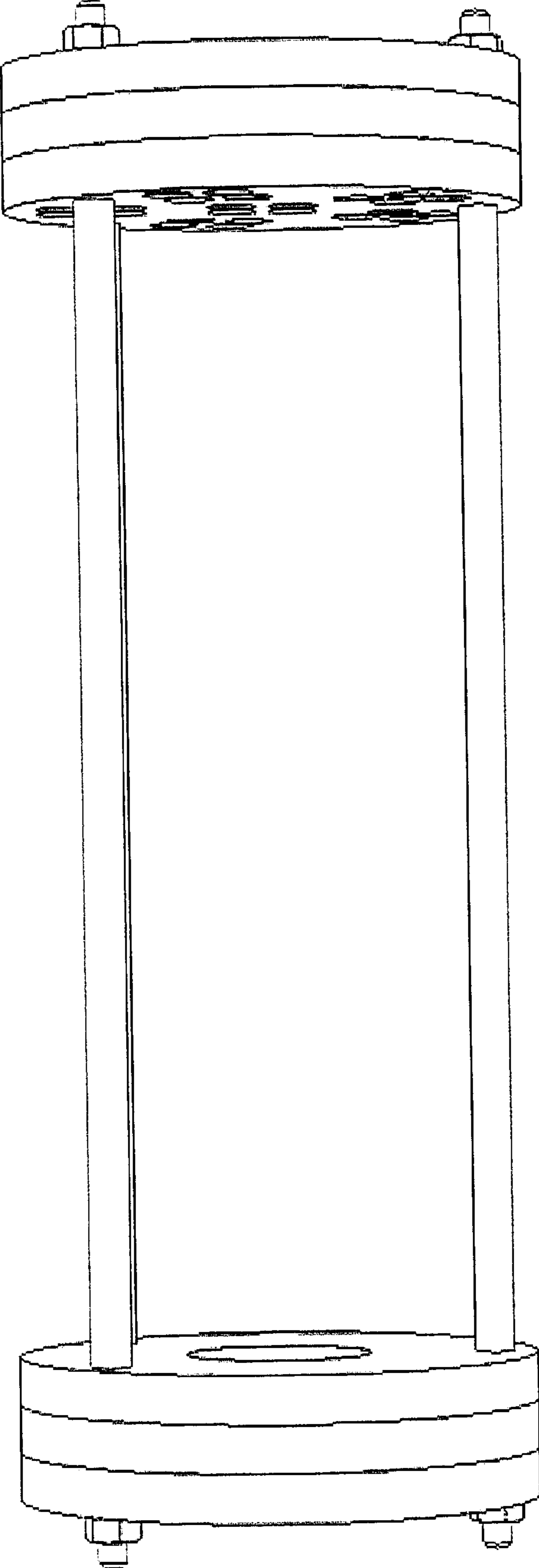


FIG. 3

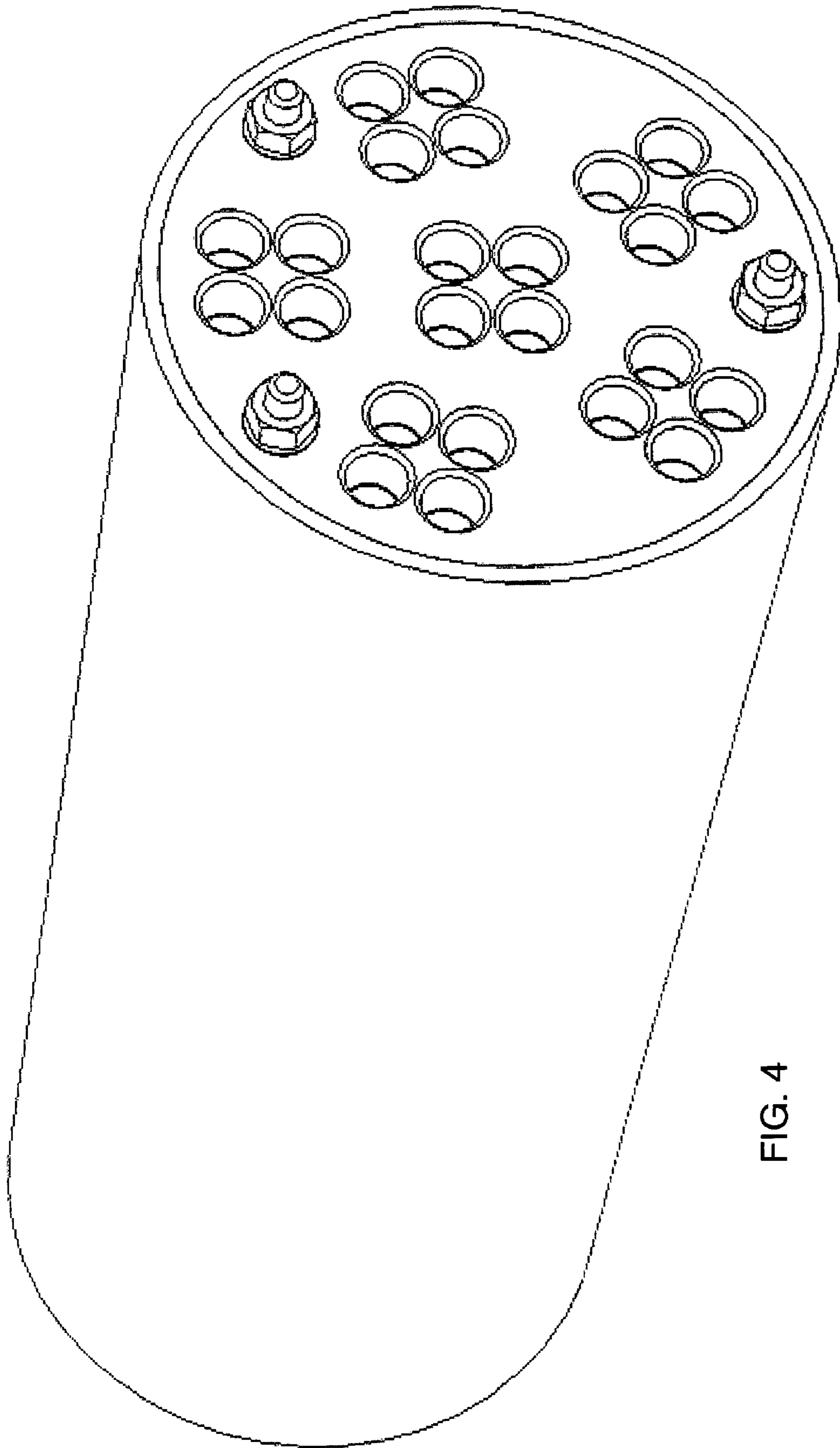


FIG. 4

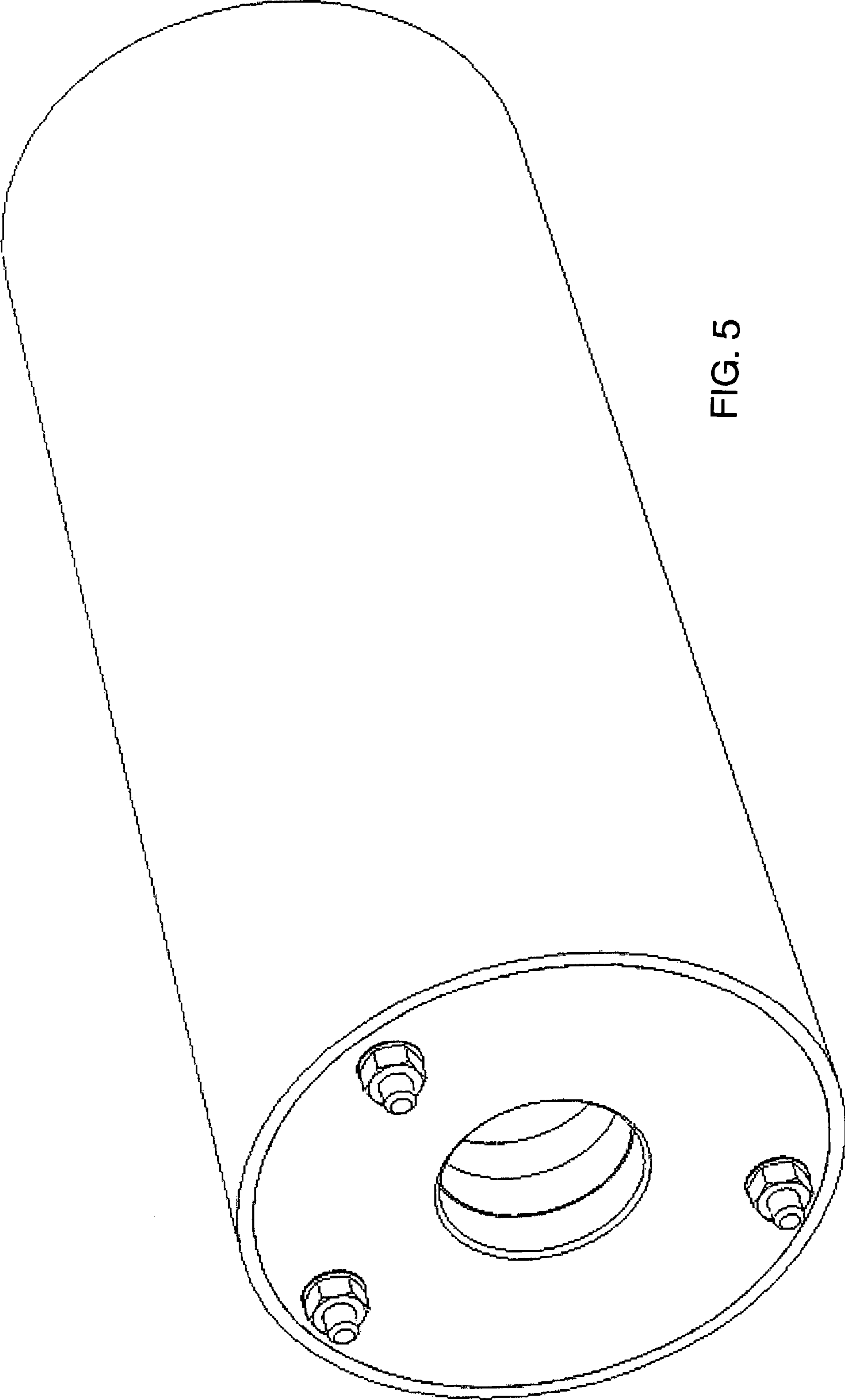


FIG. 5

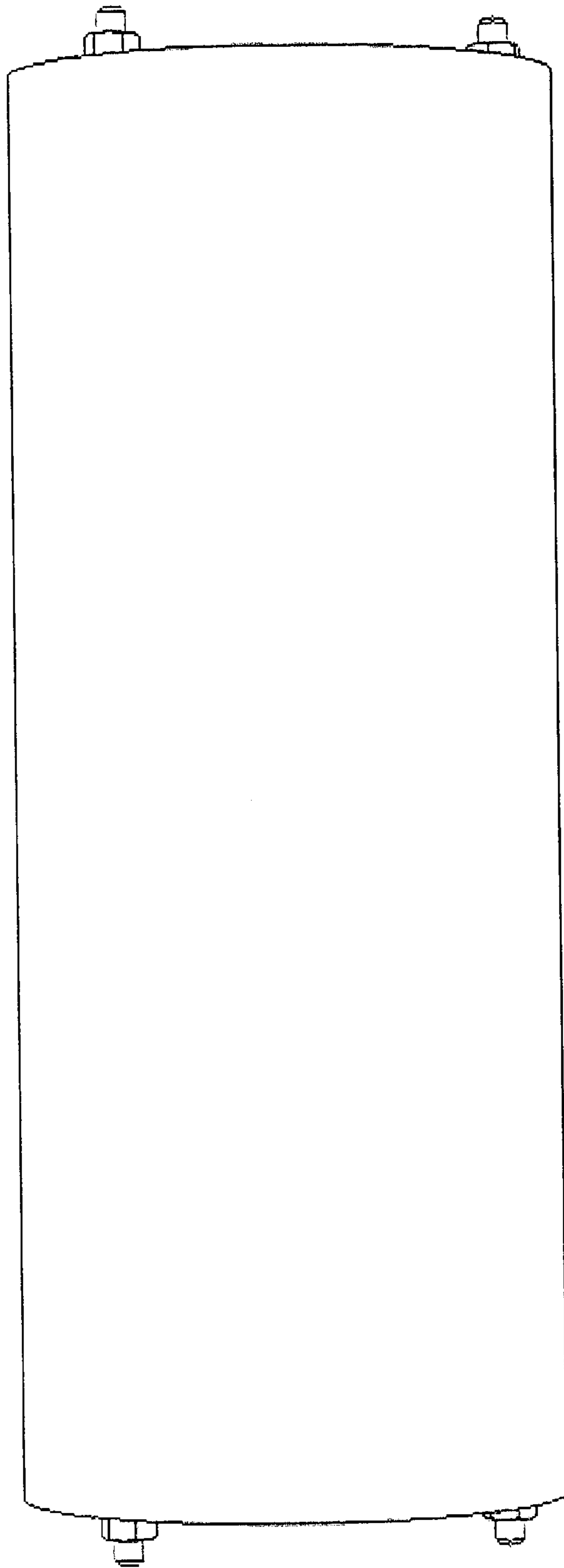


FIG. 6