

US00D504664S

(12) **United States Design Patent**  
**Montena**

(10) **Patent No.:** **US D504,664 S**

(45) **Date of Patent:** **\*\* May 3, 2005**

(54) **CO-AXIAL CABLE CONNECTOR**  
(75) **Inventor:** **Noah P. Montena**, Syracuse, NY (US)  
(73) **Assignee:** **John Mezzalingua Associates, Inc.**,  
East Syracuse, NY (US)

(\*\*) **Term:** **14 Years**

(21) **Appl. No.:** **29/209,469**

(22) **Filed:** **Jul. 16, 2004**

(51) **LOC (7) Cl.** ..... **13-03**

(52) **U.S. Cl.** ..... **D13/154**

(58) **Field of Search** ..... D13/146, 154,  
D13/133; 439/578, 580, 583-585, 174,  
175

(56) **References Cited**

**U.S. PATENT DOCUMENTS**

4,746,305 A \* 5/1988 Nomura ..... 439/319  
5,127,843 A \* 7/1992 Henry et al. .... 439/320  
5,157,749 A \* 10/1992 Briggs et al. .... 385/60  
D337,988 S \* 8/1993 Wright ..... D13/133  
5,561,900 A \* 10/1996 Hosler, Sr. .... 29/828

6,210,222 B1 \* 4/2001 Langham et al. .... 439/583  
6,425,782 B1 \* 7/2002 Holland ..... 439/585  
D462,327 S \* 9/2002 Montena ..... D13/151  
D468,696 S \* 1/2003 Montena ..... D13/151  
6,733,336 B1 \* 5/2004 Montena et al. .... 439/578

\* cited by examiner

*Primary Examiner*—Alan P. Douglas

*Assistant Examiner*—Cynthia M. Chin

(74) *Attorney, Agent, or Firm*—Schmeiser, Olsen & Watts

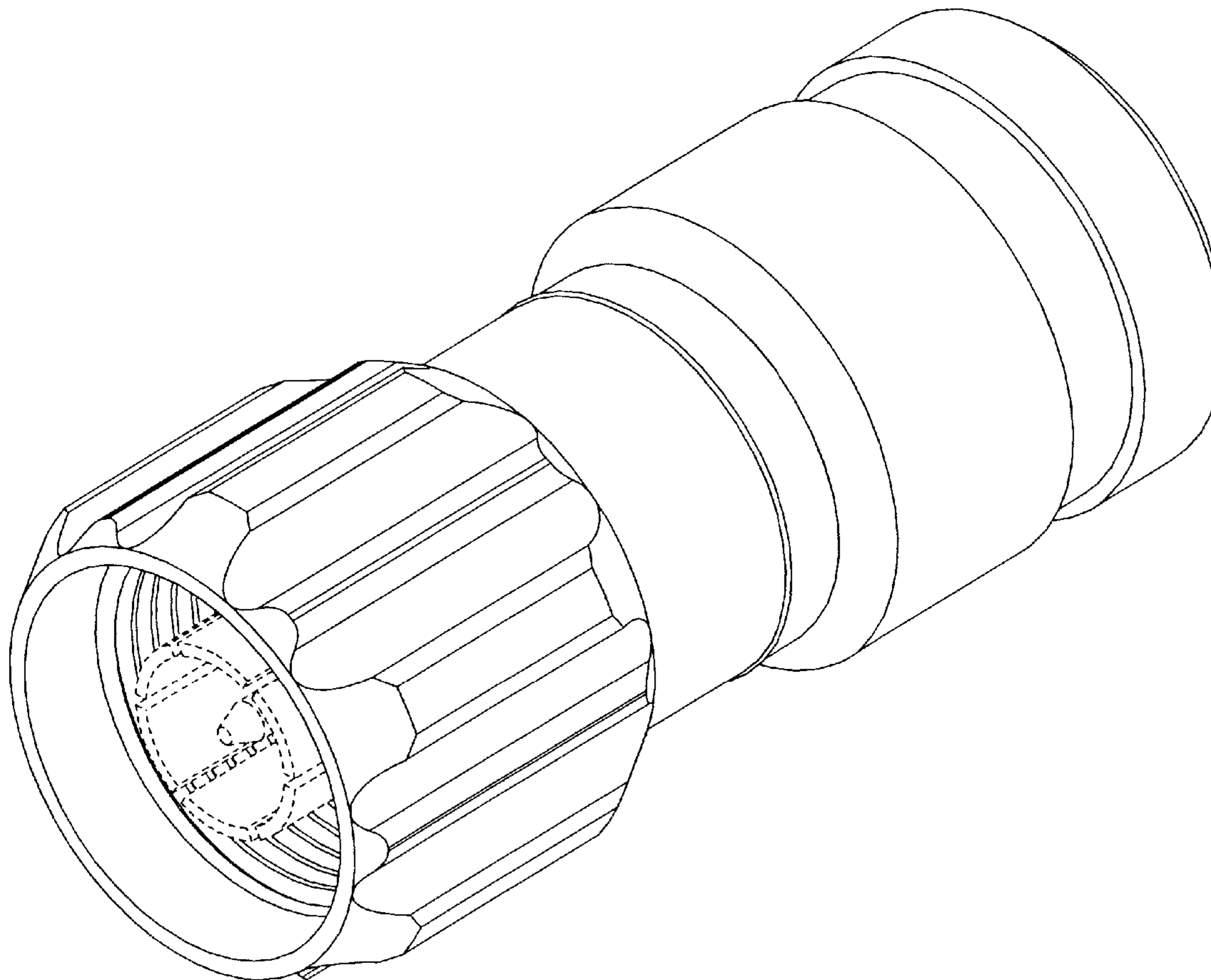
(57) **CLAIM**

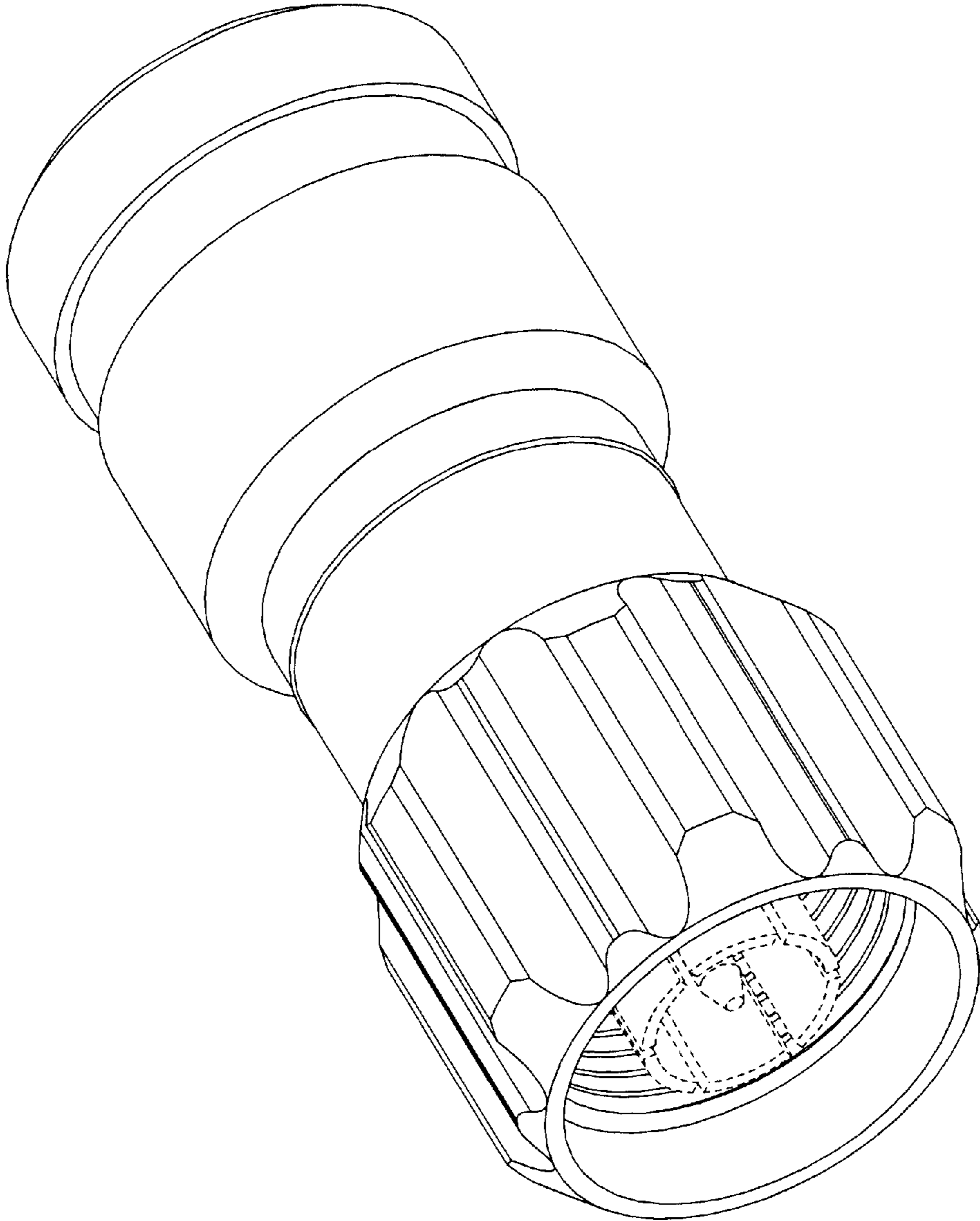
The ornamental design for a co-axial cable connector, as shown and described.

**DESCRIPTION**

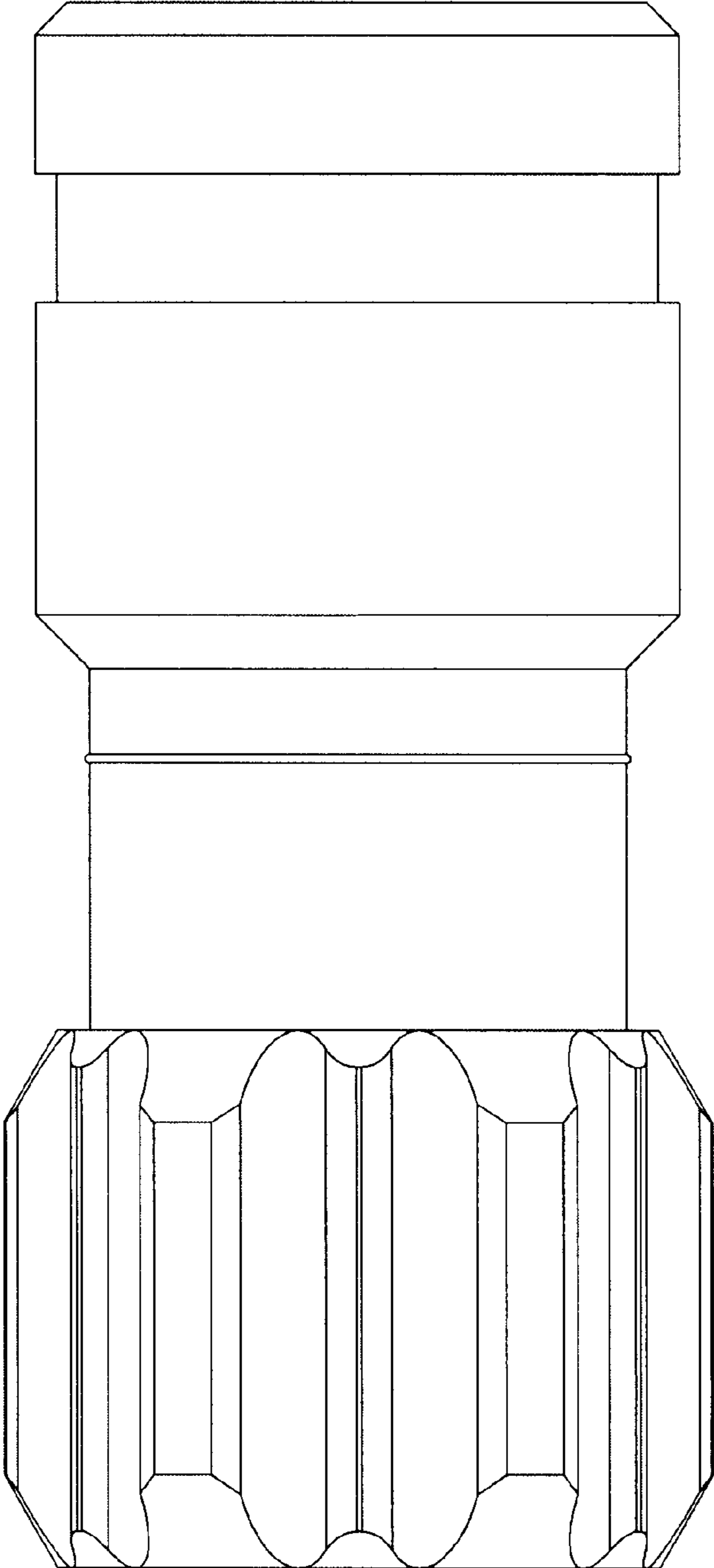
FIG. 1 is a perspective view of a co-axial cable connector showing my new design; FIG. 2 is a side elevational view thereof, the other side, top plan and bottom plan views being mirror images; FIG. 3 is a left end view of FIG. 1; and, FIG. 4 is a right end view of FIG. 1. The broken lines depict environmental structure and form no part of the claimed design.

**1 Claim, 4 Drawing Sheets**

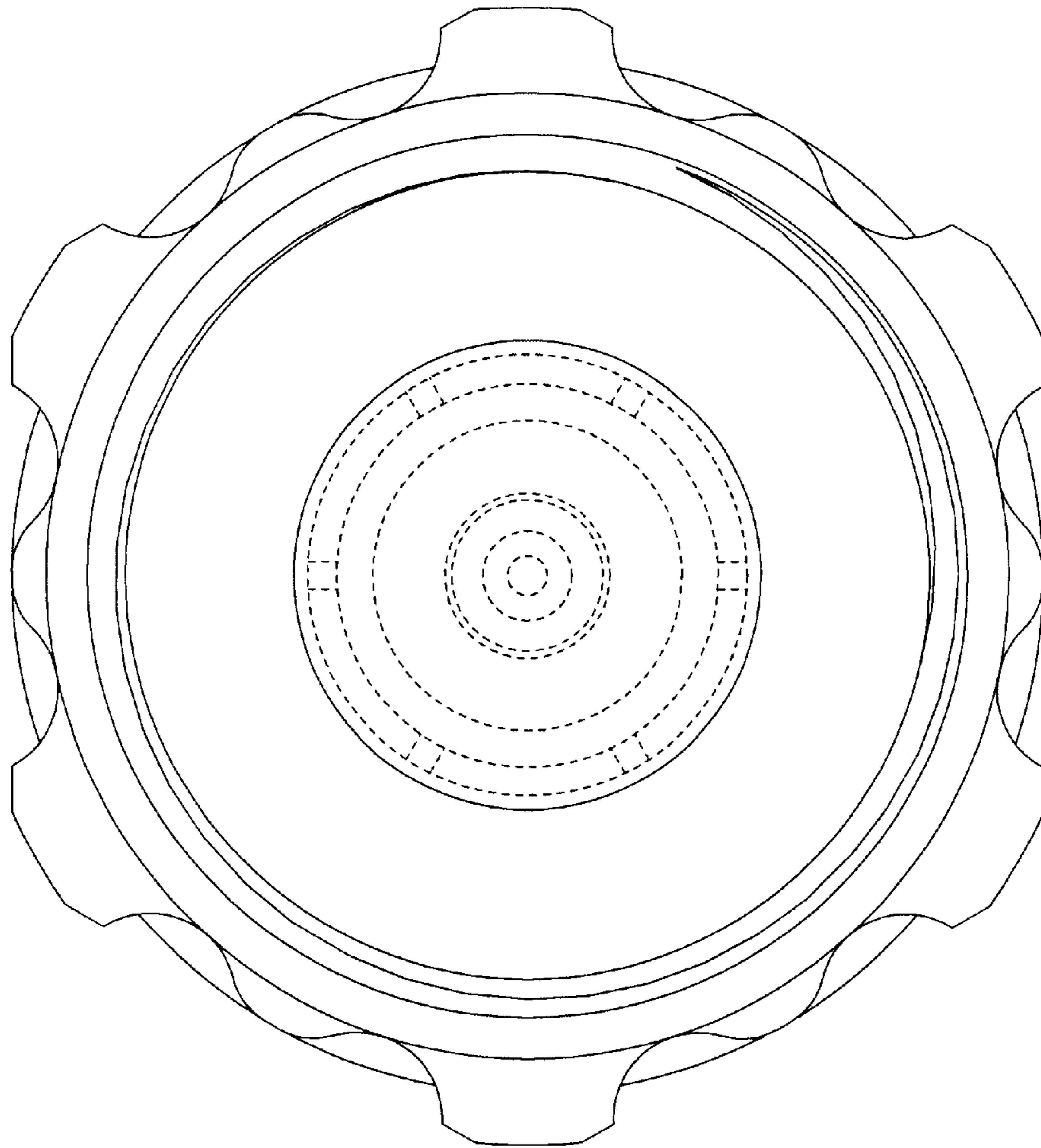




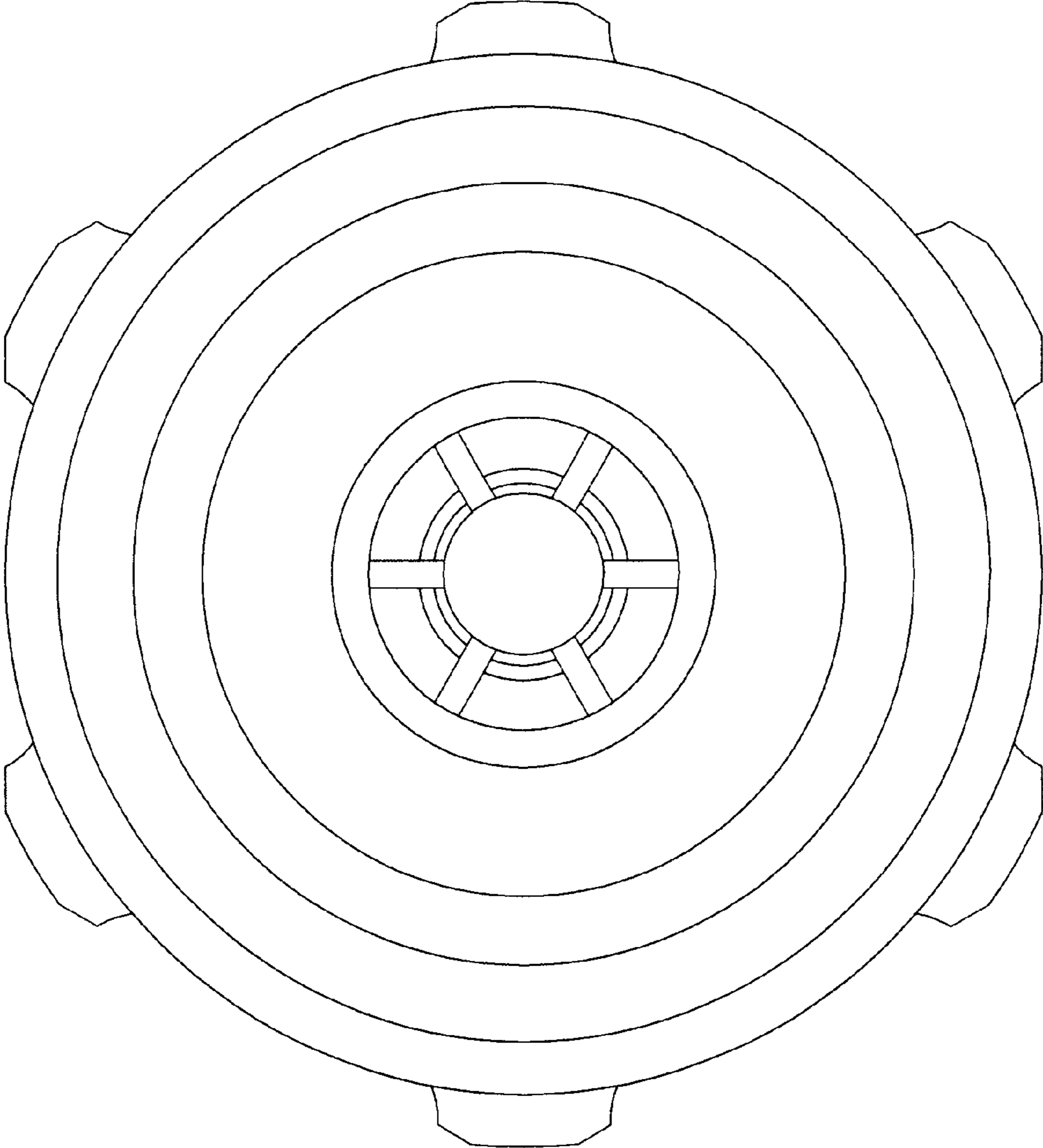
**FIG. 1**



**FIG. 2**



***FIG. 3***



**FIG. 4**