

US00D504649S

(12) **United States Design Patent**
Pfeiffer

(10) **Patent No.:** **US D504,649 S**

(45) **Date of Patent:** **** May 3, 2005**

(54) **FRONT FACE OF A VEHICLE WHEEL**

(75) **Inventor:** **Peter Pfeiffer**, Boeblingen (DE)

(73) **Assignee:** **DaimlerChrysler AG**, Stuttgart (DE)

(**) **Term:** **14 Years**

(21) **Appl. No.:** **29/204,743**

(22) **Filed:** **May 4, 2004**

(30) **Foreign Application Priority Data**

Nov. 5, 2003 (DE) 403 07 043

(51) **LOC (7) Cl.** **12-16**

(52) **U.S. Cl.** **D12/209**

(58) **Field of Search** D12/204-213;
301/37.101, 64.101, 65

(56) **References Cited**

U.S. PATENT DOCUMENTS

- D212,941 S * 12/1968 Van Wisen D12/209
- D392,237 S * 3/1998 Kelley D12/209
- D431,807 S * 10/2000 Fitzgerald D12/211
- D453,131 S * 1/2002 Gabath D12/209

- D454,530 S * 3/2002 Hieke D12/211
- D461,756 S * 8/2002 Hieke D12/211
- D480,672 S * 10/2003 Pfeiffer et al. D12/209
- D481,664 S * 11/2003 Vian D12/211
- D487,242 S * 3/2004 Lecher et al. D12/211
- D491,123 S * 6/2004 Lai D12/209
- D497,132 S * 10/2004 Lee D12/209

* cited by examiner

Primary Examiner—Stacia Cadmus

(74) *Attorney, Agent, or Firm*—Crowell & Moring LLP

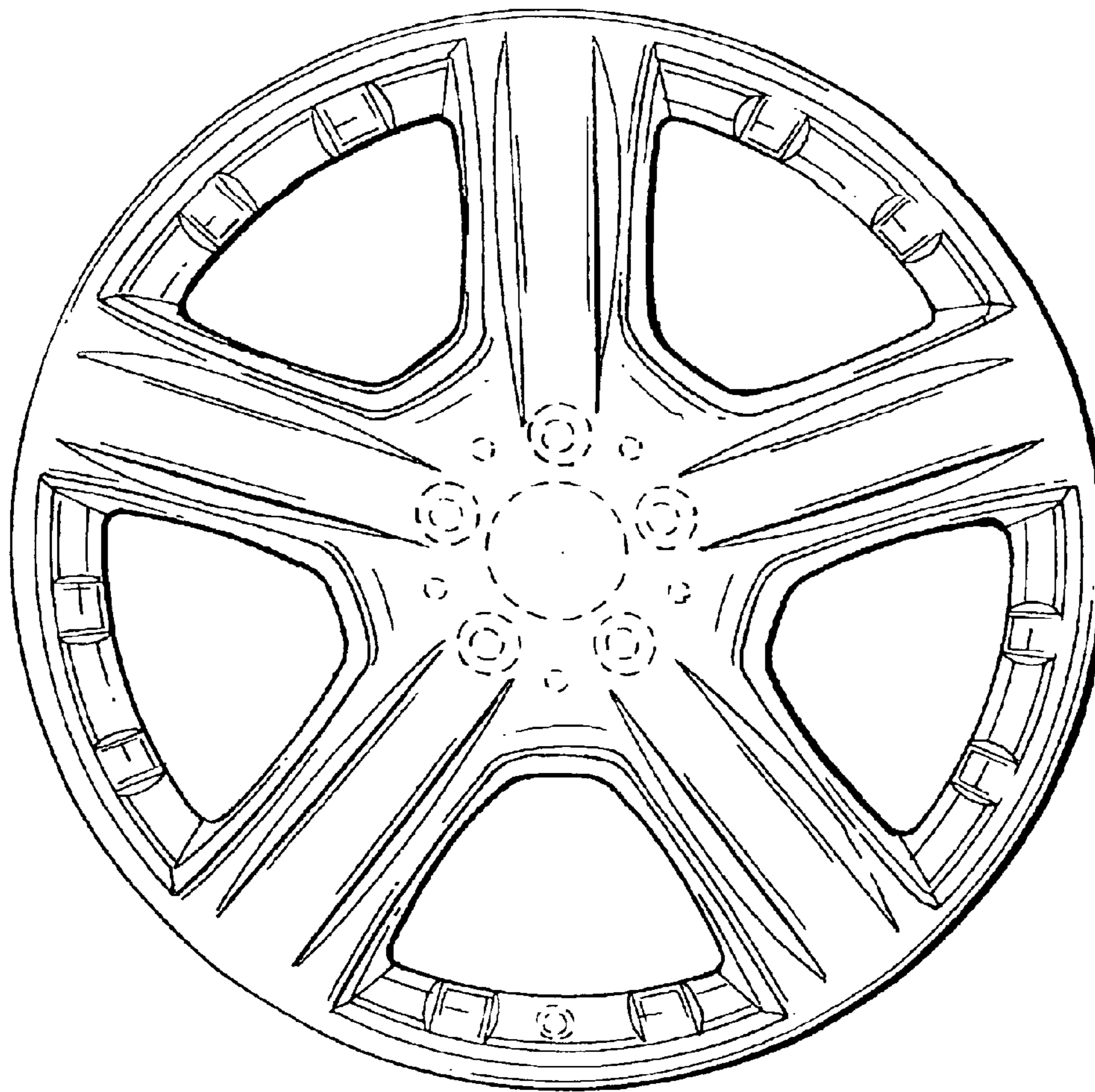
(57) **CLAIM**

The ornamental design for a front face of a vehicle wheel, as shown and described.

DESCRIPTION

FIG. 1 is a front view of a front face of a vehicle wheel according to my novel design; and, FIG. 2 is a perspective view of the front face of a vehicle wheel according to my novel design. The broken lines are for illustrative purposes only and form no part of the claimed design.

1 Claim, 1 Drawing Sheet



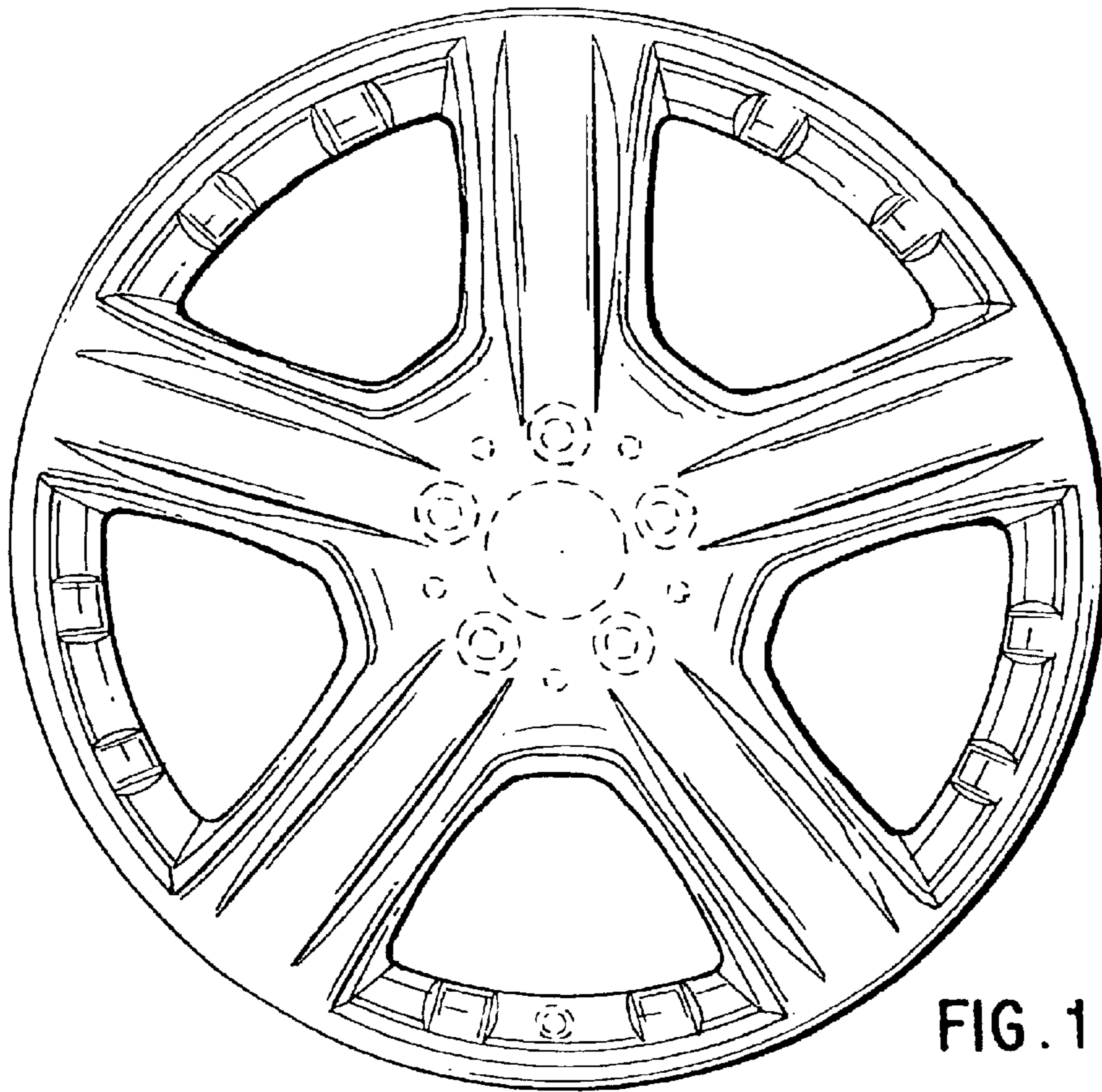


FIG. 1

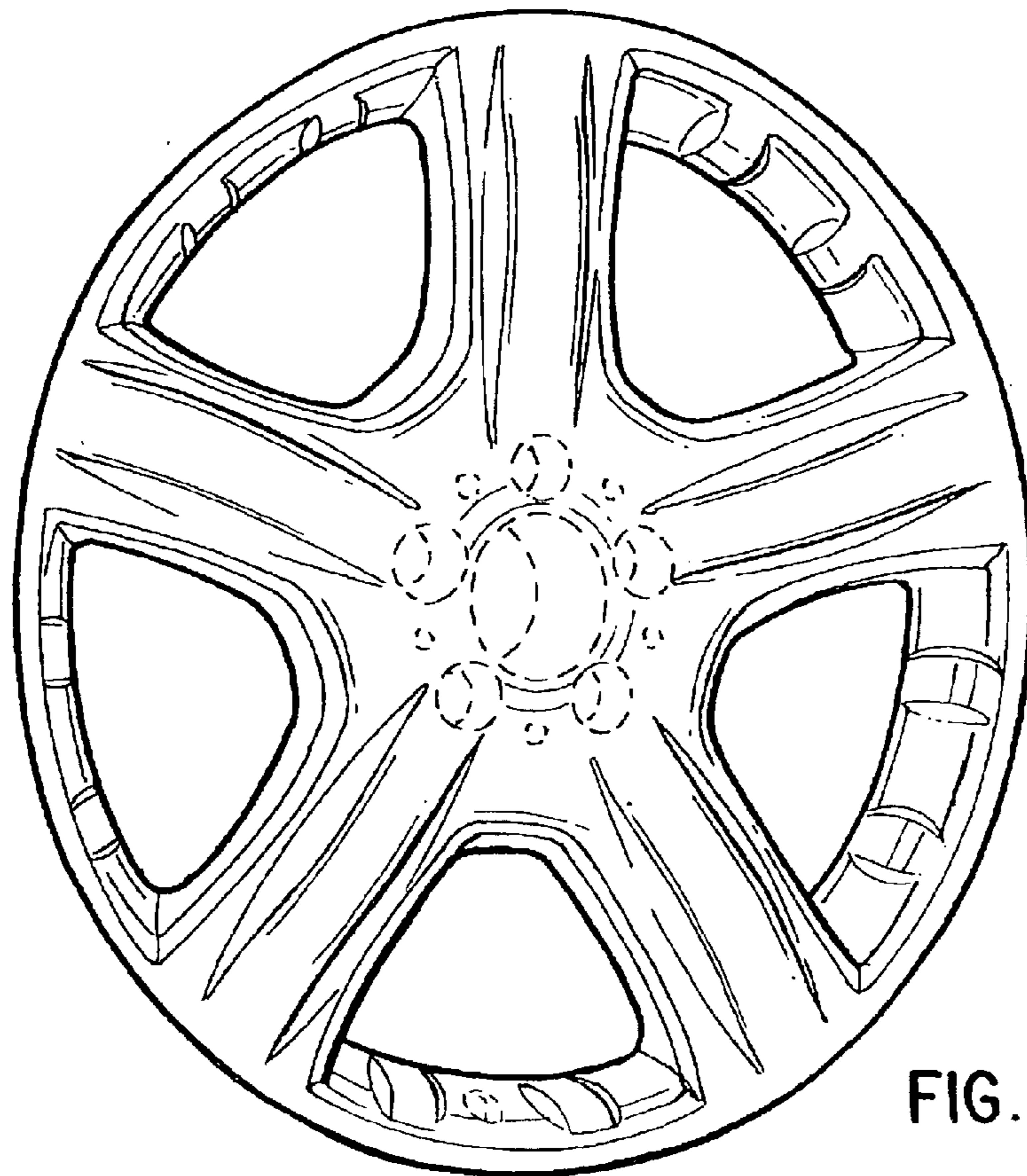


FIG. 2