

US00D504647S

(12) **United States Design Patent**  
**Leclercq**

(10) **Patent No.:** **US D504,647 S**  
(45) **Date of Patent:** **\*\* May 3, 2005**

(54) **FRONT FACE OF A VEHICLE WHEEL**

(75) **Inventor:** **Pierre Leclercq, Venice, CA (US)**

(73) **Assignee:** **Bayerische Motoren Werke  
Aktiengesellschaft, Munich (DE)**

(\*\*) **Term:** **14 Years**

(21) **Appl. No.:** **29/189,172**

(22) **Filed:** **Sep. 2, 2003**

(30) **Foreign Application Priority Data**

Mar. 3, 2003 (DE) ..... 403 01 889

(51) **LOC (7) Cl.** ..... **12-16**

(52) **U.S. Cl.** ..... **D12/209**

(58) **Field of Search** ..... D12/204-213;  
301/37.101, 64.101, 65

(56) **References Cited**

**U.S. PATENT DOCUMENTS**

D84,318 S \* 6/1931 Beutke et al. .... D12/209  
D84,321 S \* 6/1931 Beutke et al. .... D12/209  
D411,502 S \* 6/1999 Chung ..... D12/211

D444,119 S \* 6/2001 Brintouch ..... D12/211  
D445,078 S \* 7/2001 Chung ..... D12/209  
D451,467 S \* 12/2001 Chung ..... D12/211  
D455,702 S \* 4/2002 Cullen ..... D12/211  
D481,346 S \* 10/2003 Vian ..... D12/211  
D487,569 S \* 3/2004 Laengerer ..... D12/211  
D490,760 S \* 6/2004 Sands ..... D12/209

\* cited by examiner

*Primary Examiner*—Stacia Cadmus

(74) *Attorney, Agent, or Firm*—Crowell & Moring LLP

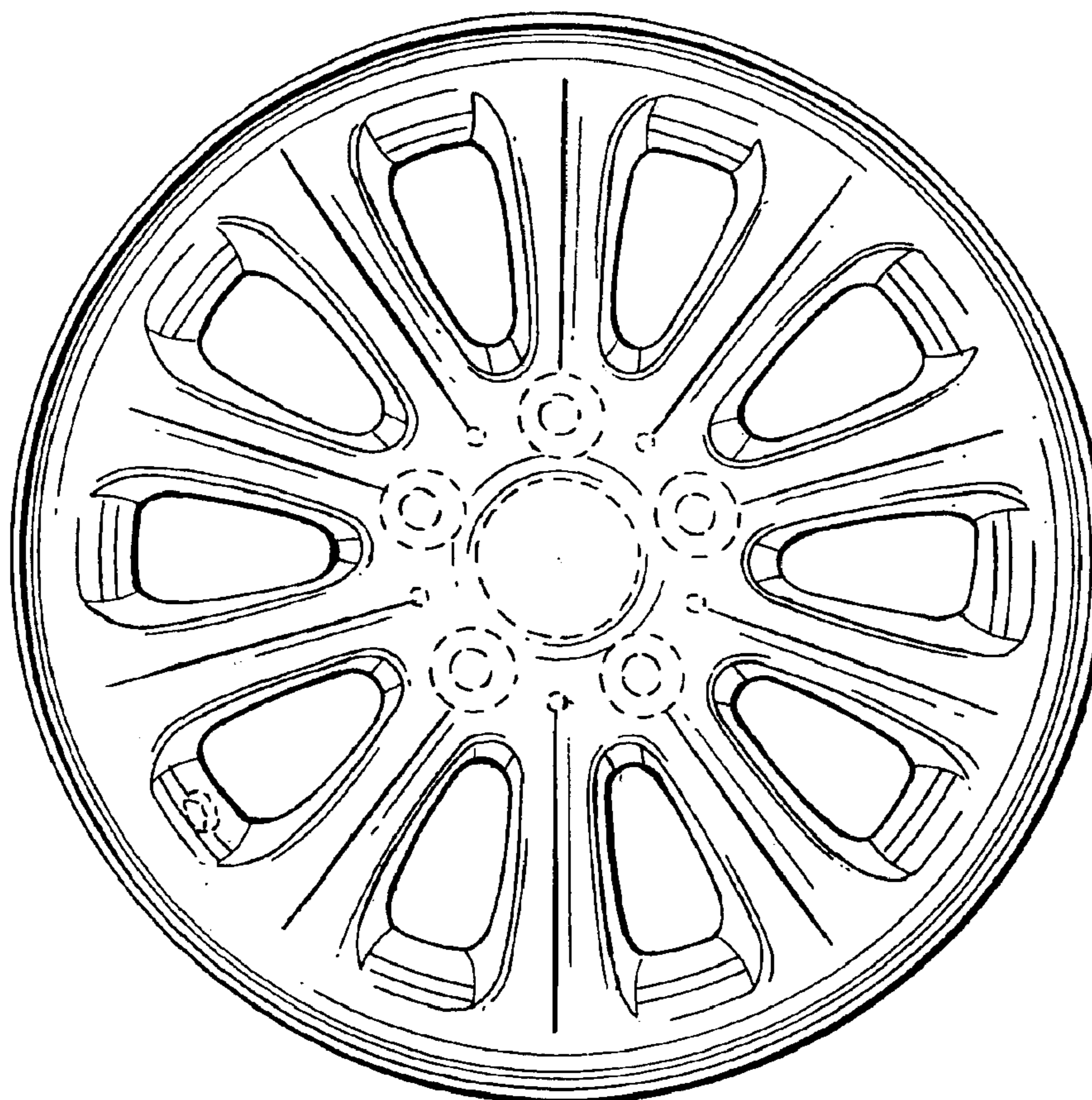
(57) **CLAIM**

The ornamental design for a front face of a vehicle wheel, as shown and described.

**DESCRIPTION**

FIG. 1 is a front view of a front face of a vehicle wheel according to my novel design; and,  
FIG. 2 is a perspective view of the front face of a vehicle wheel according to my novel design.  
The broken lines are for illustrative purposes only and form no part of the claimed design.

**1 Claim, 1 Drawing Sheet**



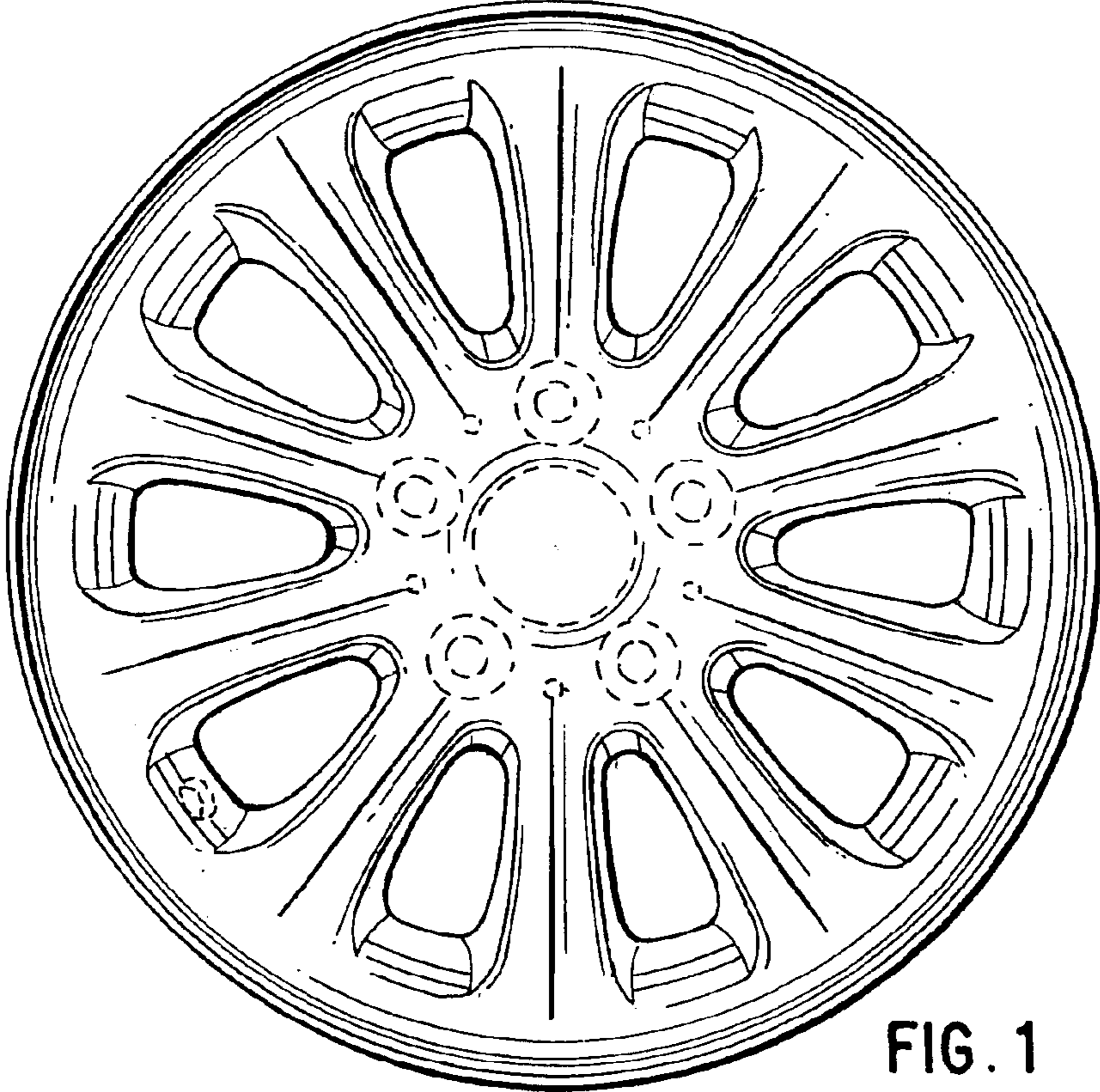


FIG. 1

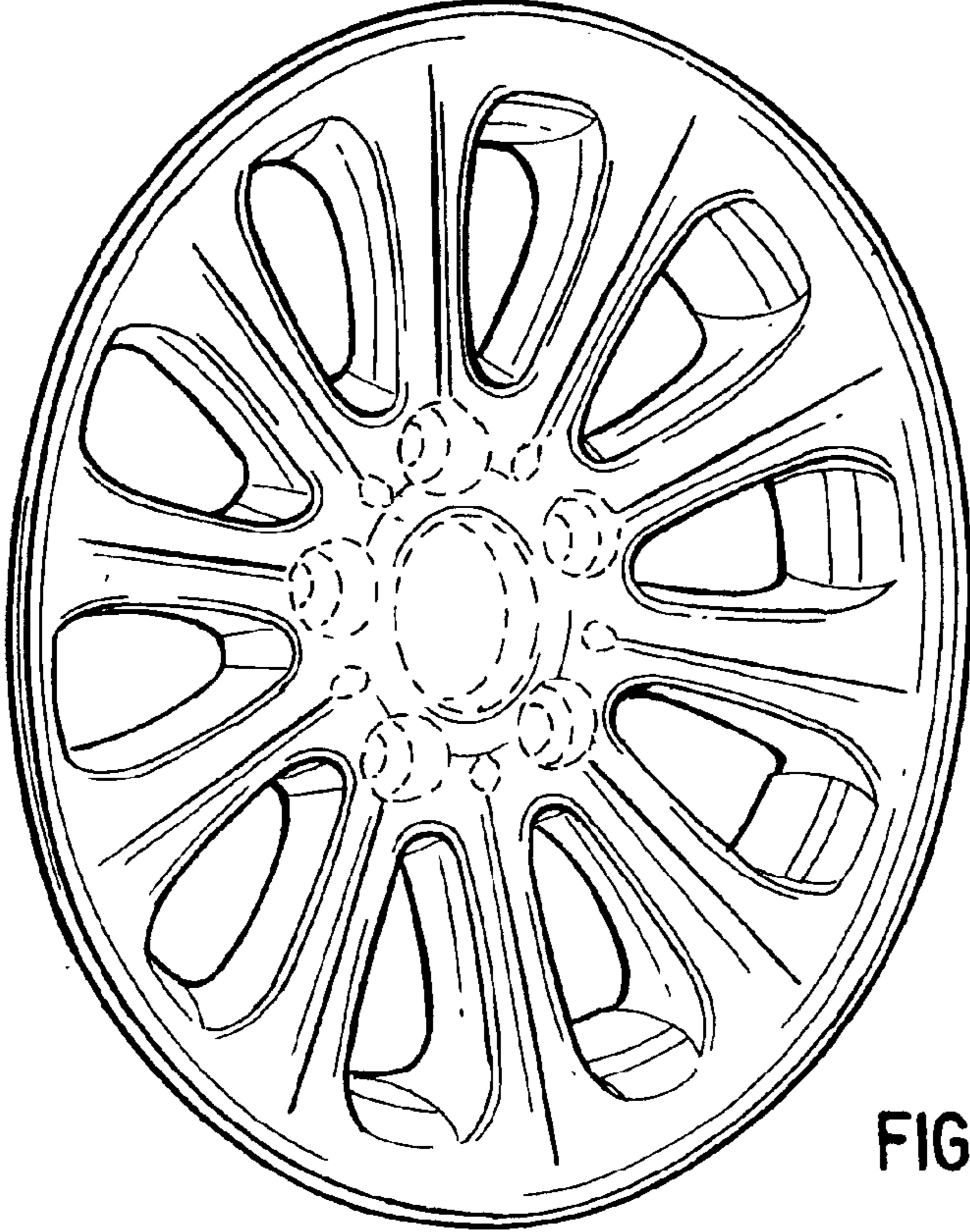


FIG. 2