



US00D504645S

(12) **United States Design Patent**
Chao

(10) **Patent No.:** **US D504,645 S**

(45) **Date of Patent:** **** May 3, 2005**

(54) **INSTRUMENT PANEL**

(76) **Inventor:** **Lance Chao**, 7F, No. 140-1, Jin Hua Street, Taipei (TW)

(**) **Term:** **14 Years**

(21) **Appl. No.:** **29/211,871**

(22) **Filed:** **Aug. 24, 2004**

(51) **LOC (7) Cl.** **12-16**

(52) **U.S. Cl.** **D12/192**

(58) **Field of Search** D12/192; 180/90;
280/750-752; 296/190-191, 70; D10/46,
102, 98, 122-127

(56) **References Cited**

U.S. PATENT DOCUMENTS

D54,138 S	*	11/1919	Smith	D12/192
D73,347 S	*	8/1927	Smith	D12/192
D413,294 S	*	8/1999	Lagaay	D12/192
D440,925 S	*	4/2001	Pfeiffer	D12/192
D466,062 S	*	11/2002	Tsay et al.	D12/192

D475,956 S	*	6/2003	Juraschek et al.	D12/192
D489,302 S	*	5/2004	Tuzar	D12/192
D491,504 S	*	6/2004	Sato et al.	D12/192

* cited by examiner

Primary Examiner—Stacia Cadmus

(74) *Attorney, Agent, or Firm*—Rosenberg, Klein & Lee

(57) **CLAIM**

The ornamental design for an instrument panel, as shown and described.

DESCRIPTION

FIG. 1 is a perspective view of the instrument panel in accordance with the design;

FIG. 2 is a front elevation view thereof;

FIG. 3 is a rear elevation view thereof;

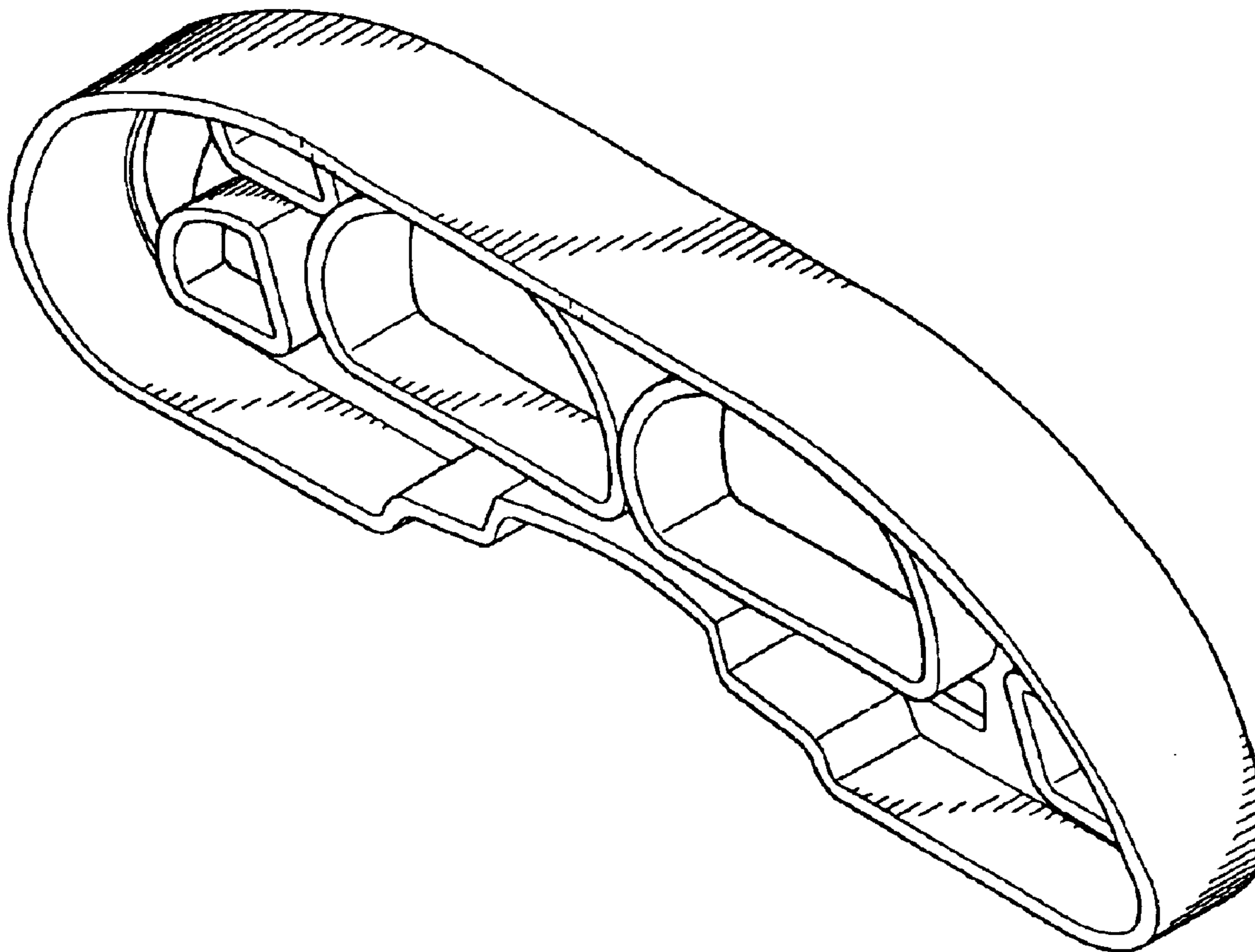
FIG. 4 is a left side elevation view thereof;

FIG. 5 is a right side elevation view thereof;

FIG. 6 is a top plan view thereof; and,

FIG. 7 is a bottom plan view thereof.

1 Claim, 4 Drawing Sheets



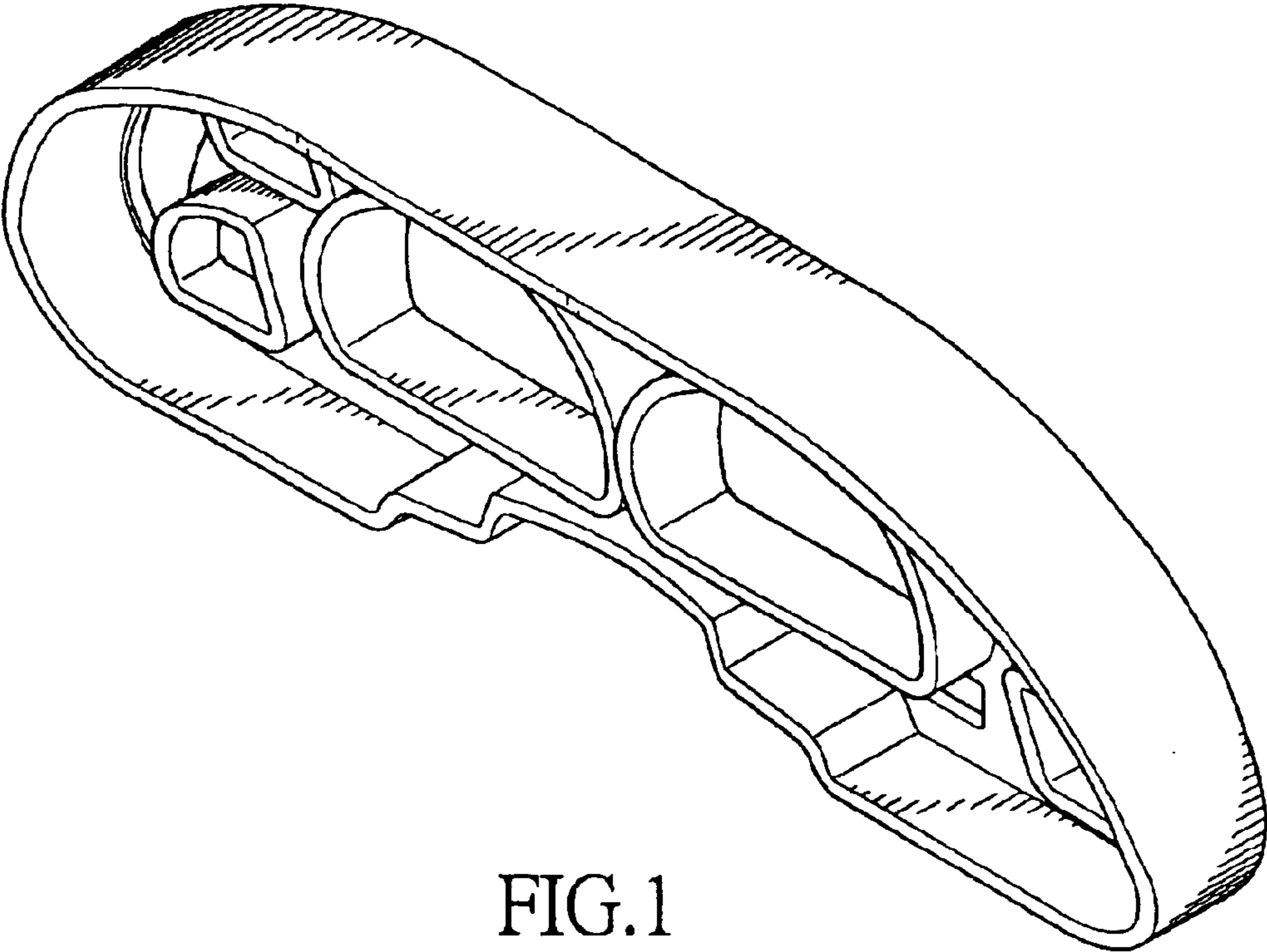


FIG.1

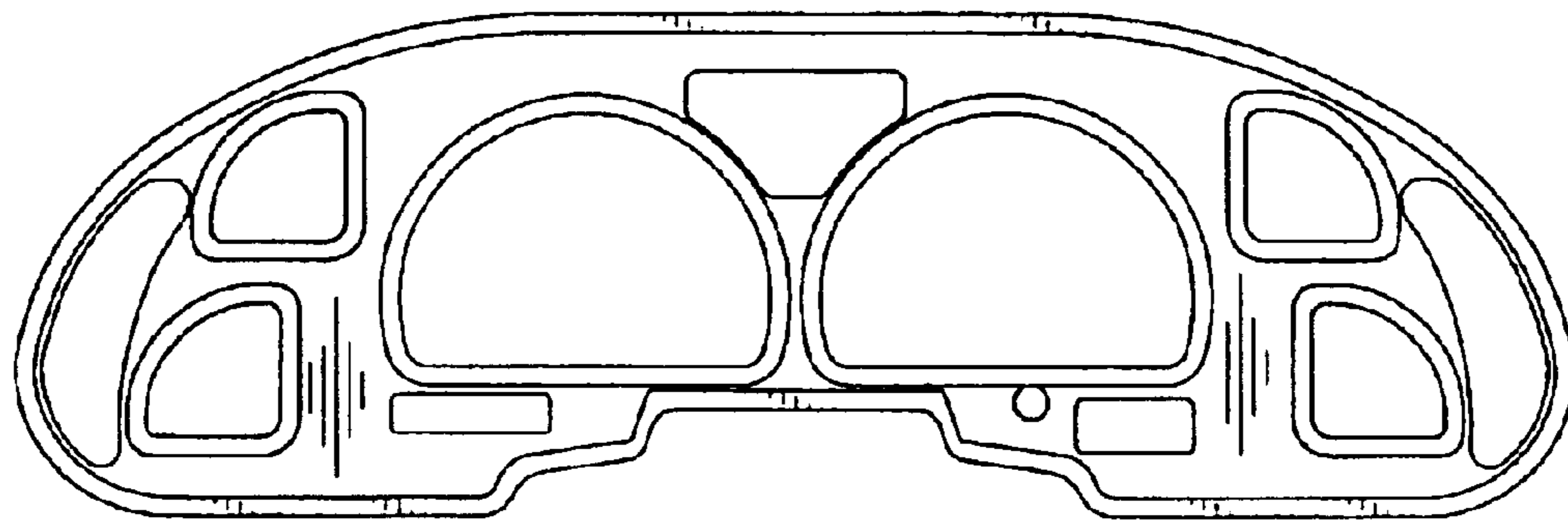


FIG. 2

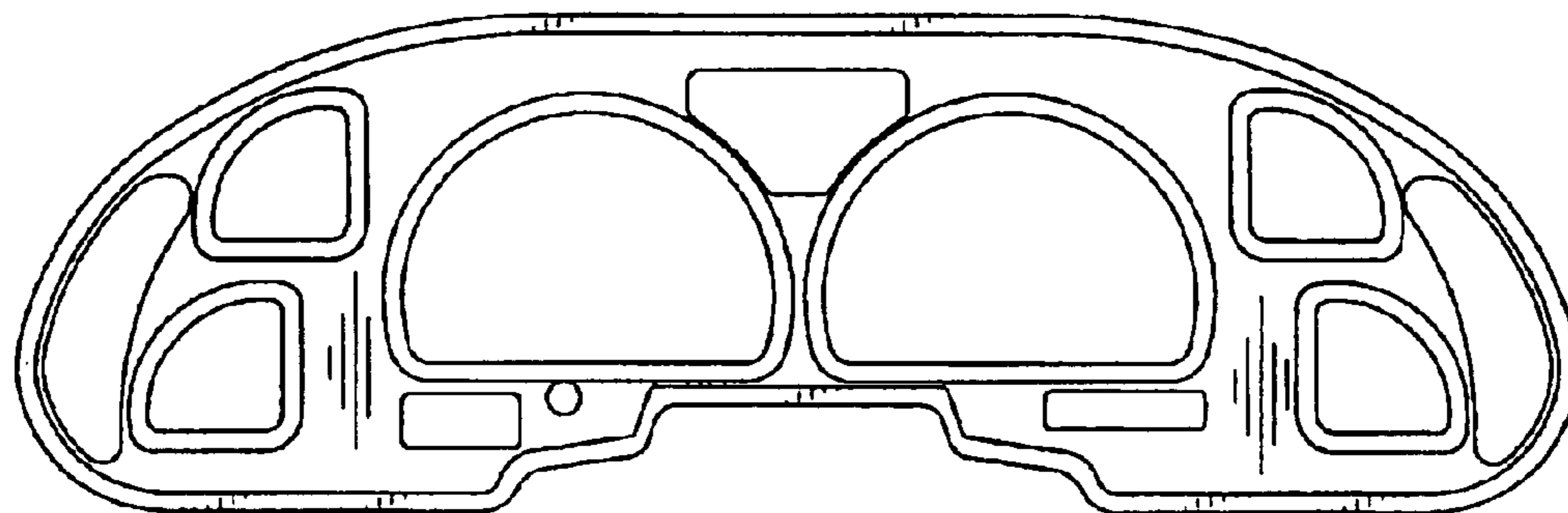


FIG. 3

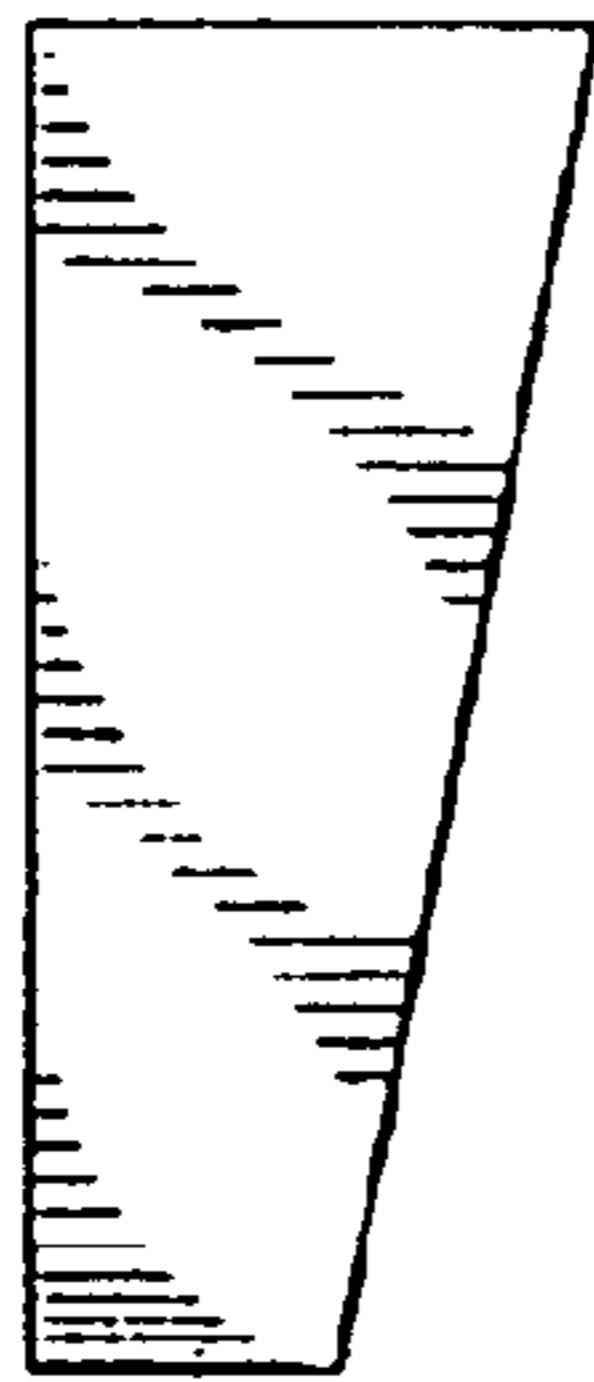


FIG. 4

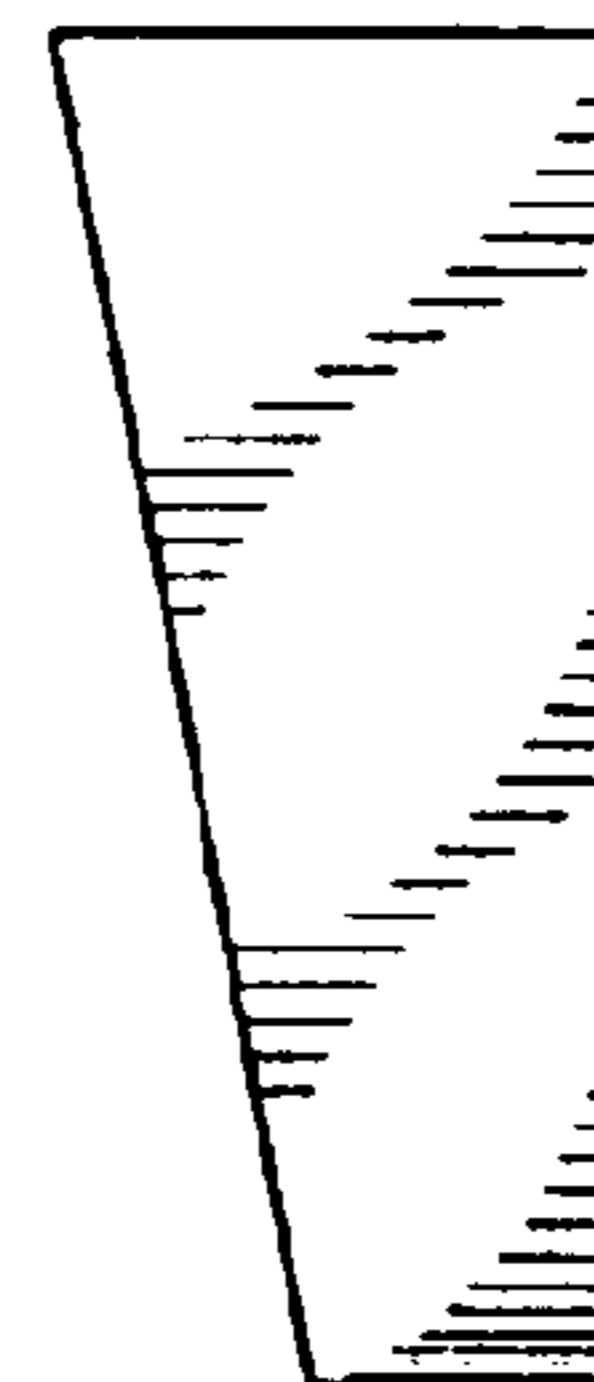


FIG. 5

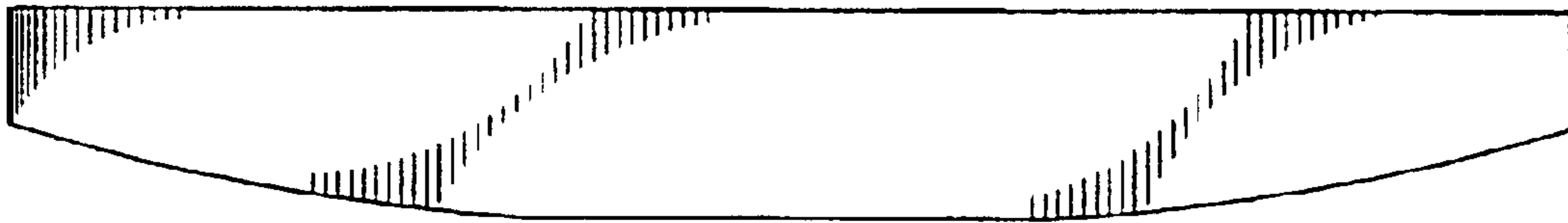


FIG. 6

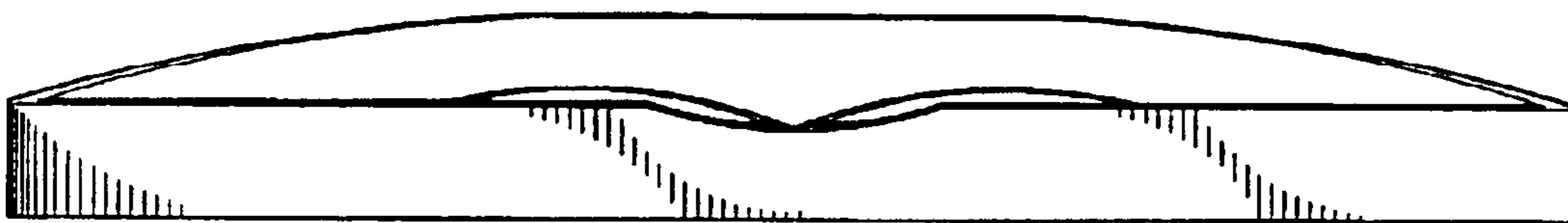


FIG. 7