



US00D504644S

(12) **United States Design Patent**
Chao

(10) **Patent No.:** **US D504,644 S**

(45) **Date of Patent:** **** May 3, 2005**

(54) **INSTRUMENT PANEL**

(76) **Inventor:** **Lance Chao**, 7F, No. 140-1, Jin Hua Street, Taipei (TW)

(**) **Term:** **14 Years**

(21) **Appl. No.:** **29/211,837**

(22) **Filed:** **Aug. 24, 2004**

(51) **LOC (7) Cl.** **12-16**

(52) **U.S. Cl.** **D12/192**

(58) **Field of Search** D12/192; 180/90;
280/750-752; 296/190-191, 70; D10/46,
102, 98, 122-127

(56) **References Cited**

U.S. PATENT DOCUMENTS

D54,139 S	*	11/1919	Smith	D12/192
D73,087 S	*	7/1927	Kent	D12/192
D74,057 S	*	12/1927	Knapp	D12/192
D74,667 S	*	3/1928	Evans	D12/192
D244,183 S	*	5/1977	Gordon	D12/192
D276,715 S	*	12/1984	Morioka et al.	D12/192
D277,176 S	*	1/1985	Komuro	D12/192

D307,127 S	*	4/1990	Simons et al.	D12/192
D470,090 S	*	2/2003	Sawabe	D12/192
D492,630 S	*	7/2004	Kraus et al.	D12/192
D493,397 S	*	7/2004	Tuzar et al.	D12/192
D494,518 S	*	8/2004	Kraus et al.	D12/192
D494,905 S	*	8/2004	Kraus et al.	D12/192

* cited by examiner

Primary Examiner—Stacia Cadmus

(74) *Attorney, Agent, or Firm*—Rosenberg, Klein & Lee

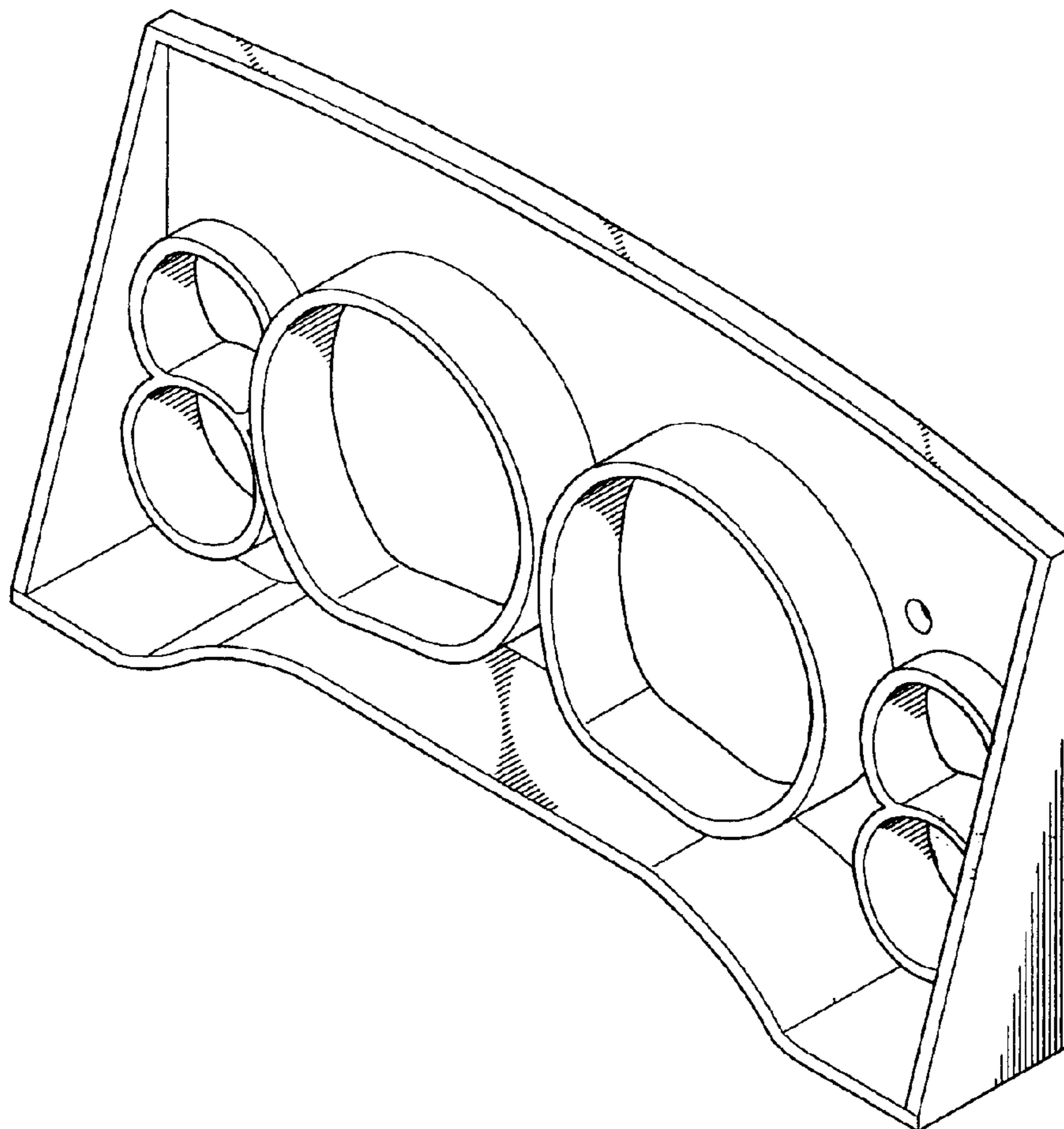
(57) **CLAIM**

The ornamental design for an instrument panel, as shown and described.

DESCRIPTION

FIG. 1 is a perspective view of the instrument panel in accordance with the design;
 FIG. 2 is a front elevation view thereof;
 FIG. 3 is a rear elevation view thereof;
 FIG. 4 is a left side elevation view thereof;
 FIG. 5 is a right side elevation view thereof;
 FIG. 6 is a top plan view thereof; and,
 FIG. 7 is a bottom plan view thereof.

1 Claim, 4 Drawing Sheets



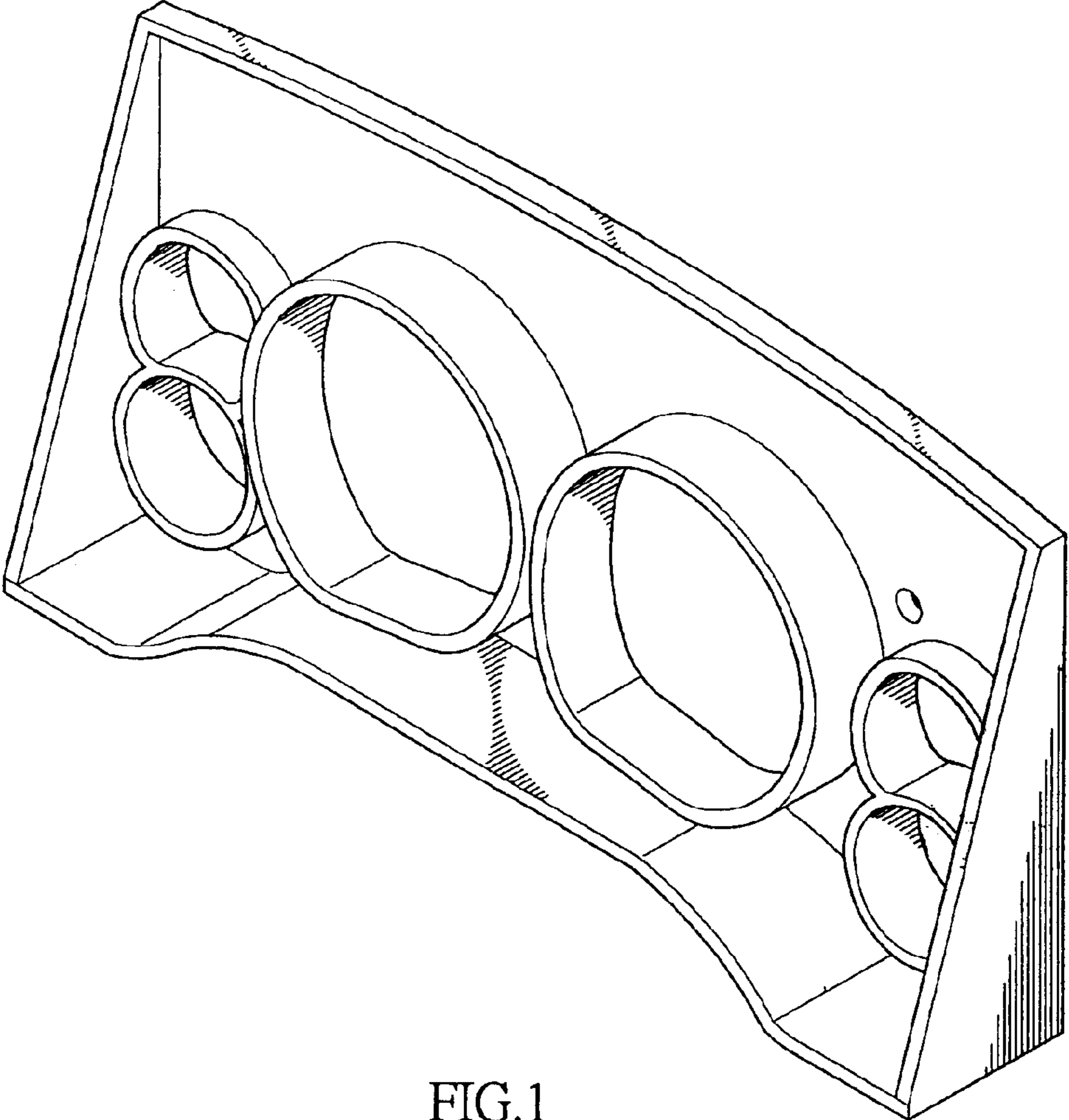


FIG.1

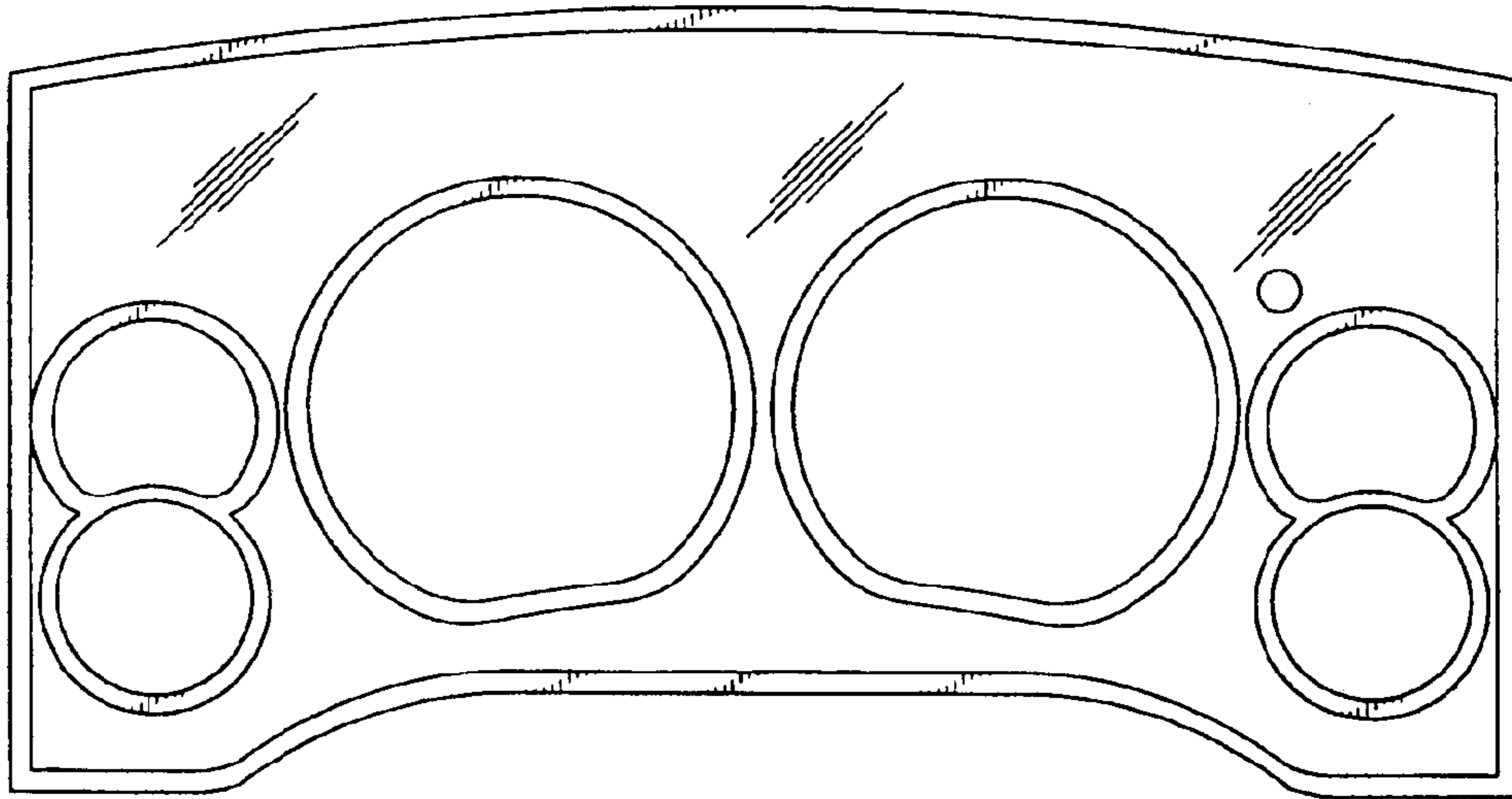


FIG. 2

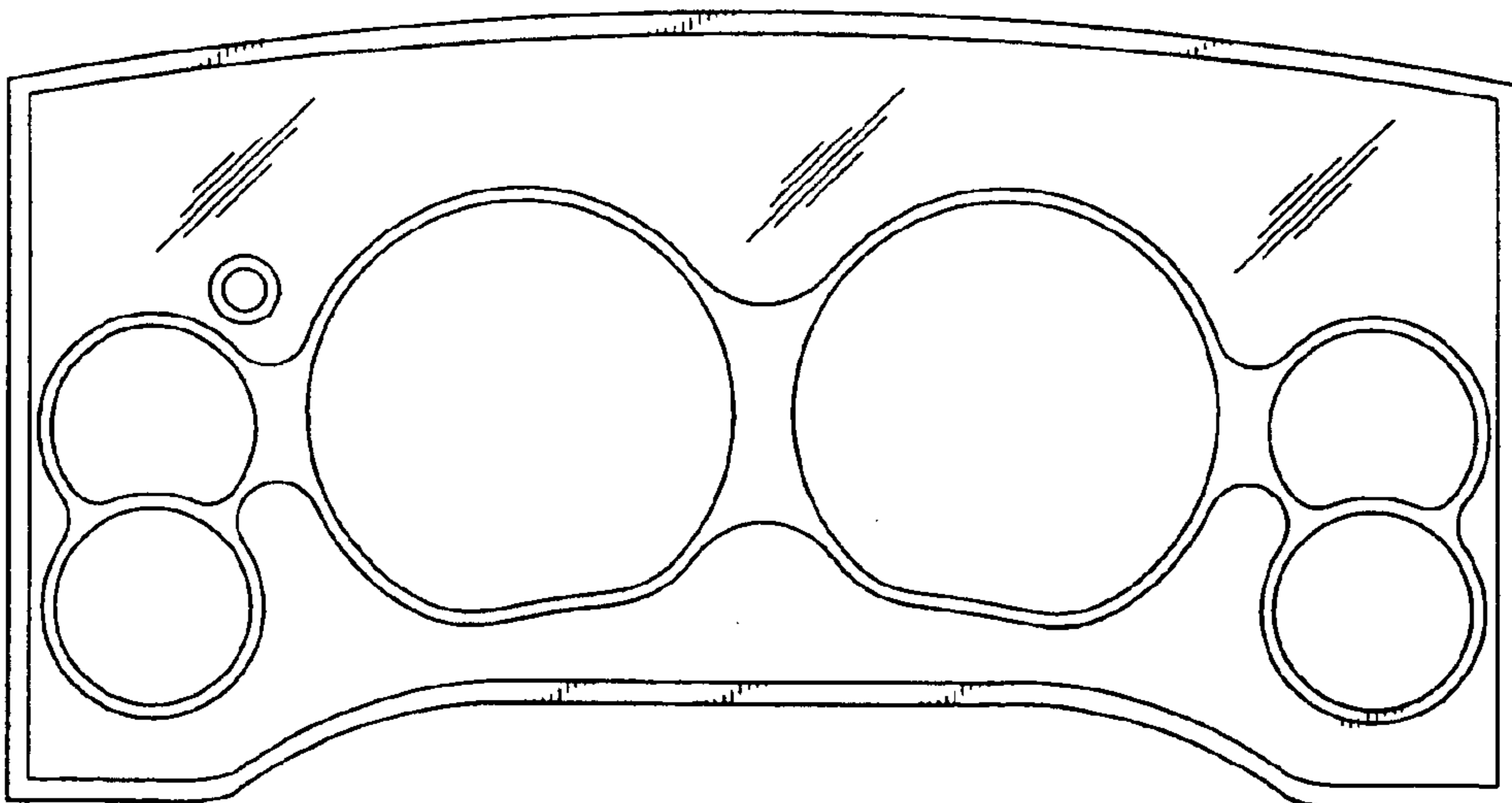


FIG. 3

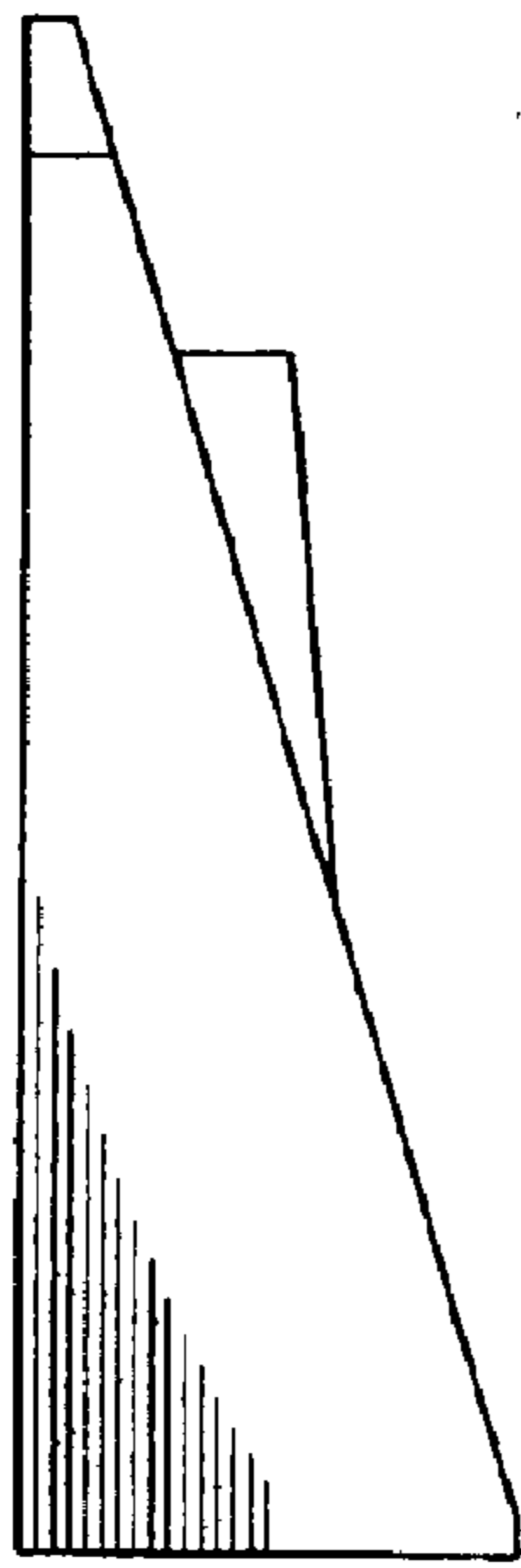


FIG. 4

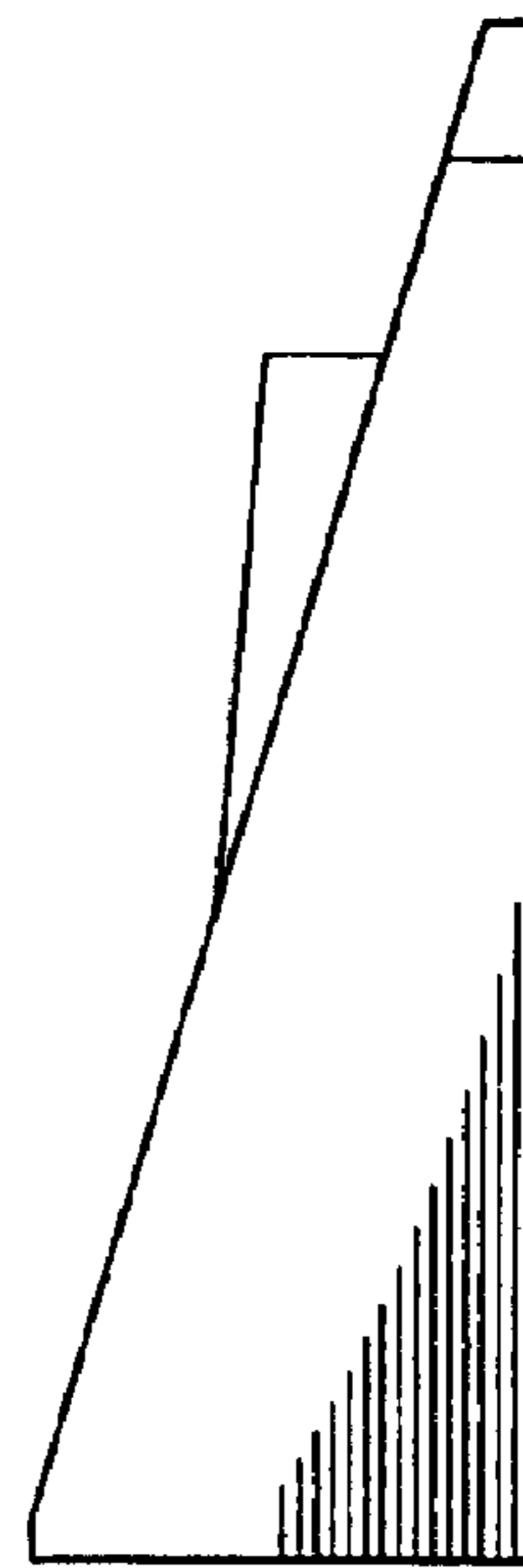


FIG. 5

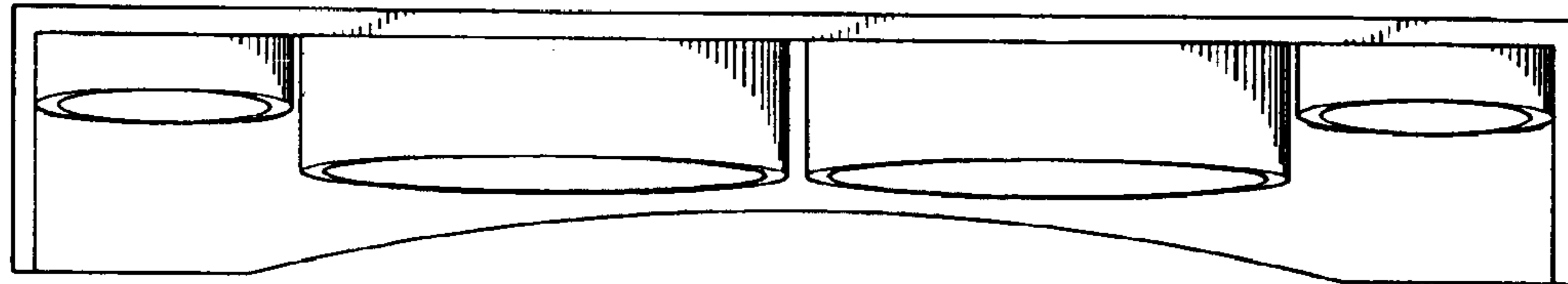


FIG. 6

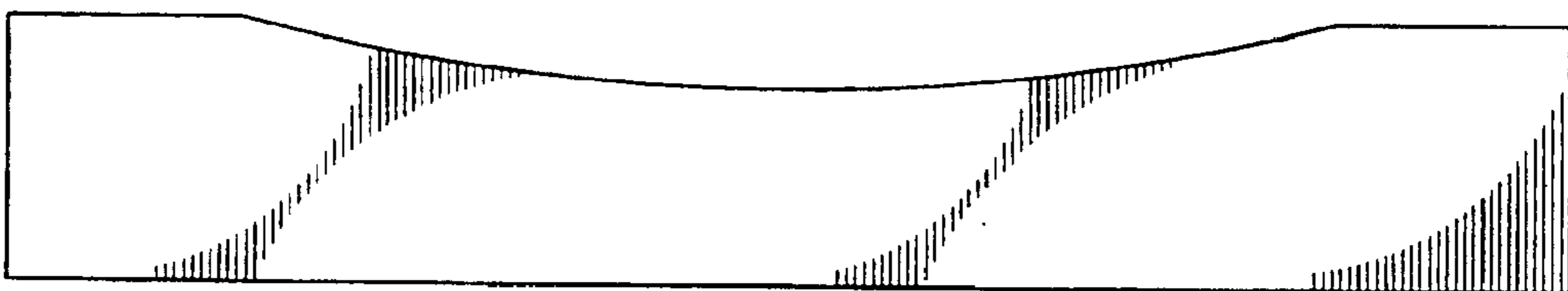


FIG. 7