

US00D504642S

(12) **United States Design Patent** (10) **Patent No.:** **US D504,642 S**  
**Perfetti et al.** (45) **Date of Patent:** **\*\* May 3, 2005**

(54) **HOOD FOR AN OVER THE HIGHWAY TRUCK**

(75) Inventors: **Ruben Perfetti**, Greensboro, NC (US);  
**John Martin**, Madison, NC (US);  
**Martin Luckhaus**, Gothenburg (SE);  
**Bo Sun**, High Point, NC (US)

(73) Assignee: **Volvo Trucks North America, Inc.**,  
Greensboro, NC (US)

(\*\*) Term: **14 Years**

(21) Appl. No.: **29/204,259**

(22) Filed: **Apr. 27, 2004**

**Related U.S. Application Data**

(62) Division of application No. 29/182,118, filed on May 20, 2003, now Pat. No. Des. 492,921.

(51) **LOC (7) Cl.** ..... **12-16**

(52) **U.S. Cl.** ..... **D12/173**

(58) **Field of Search** ..... D12/173, 96, 97;  
180/69.2, 89.12, 89.13, 89.67, 89.7; 296/180.1,  
180.2, 91, 190

(56) **References Cited**

**U.S. PATENT DOCUMENTS**

D366,638 S \* 1/1996 Tucker et al. .... D12/173

D391,908 S \* 3/1998 Allendorph et al. .... D12/173  
D394,624 S \* 5/1998 Allendorph et al. .... D12/173  
D436,563 S \* 1/2001 Delashaw et al. .... D12/173  
D484,077 S \* 12/2003 Conway et al. .... D12/173  
D488,112 S \* 4/2004 Satou ..... D12/173

\* cited by examiner

*Primary Examiner*—Melody N. Brown

(74) *Attorney, Agent, or Firm*—Watts Hoffman Co., LPA

(57) **CLAIM**

The ornamental design for a hood for an over the highway truck, as shown and described.

**DESCRIPTION**

FIG. 1 is a perspective view of a hood for an over the highway truck showing our new design on a reduced scale shown used on a truck;

FIG. 2 is a perspective view thereof;

FIG. 3 is a left side elevational view thereof;

FIG. 4 is a front elevational view thereof;

FIG. 5 is a right side elevational view thereof;

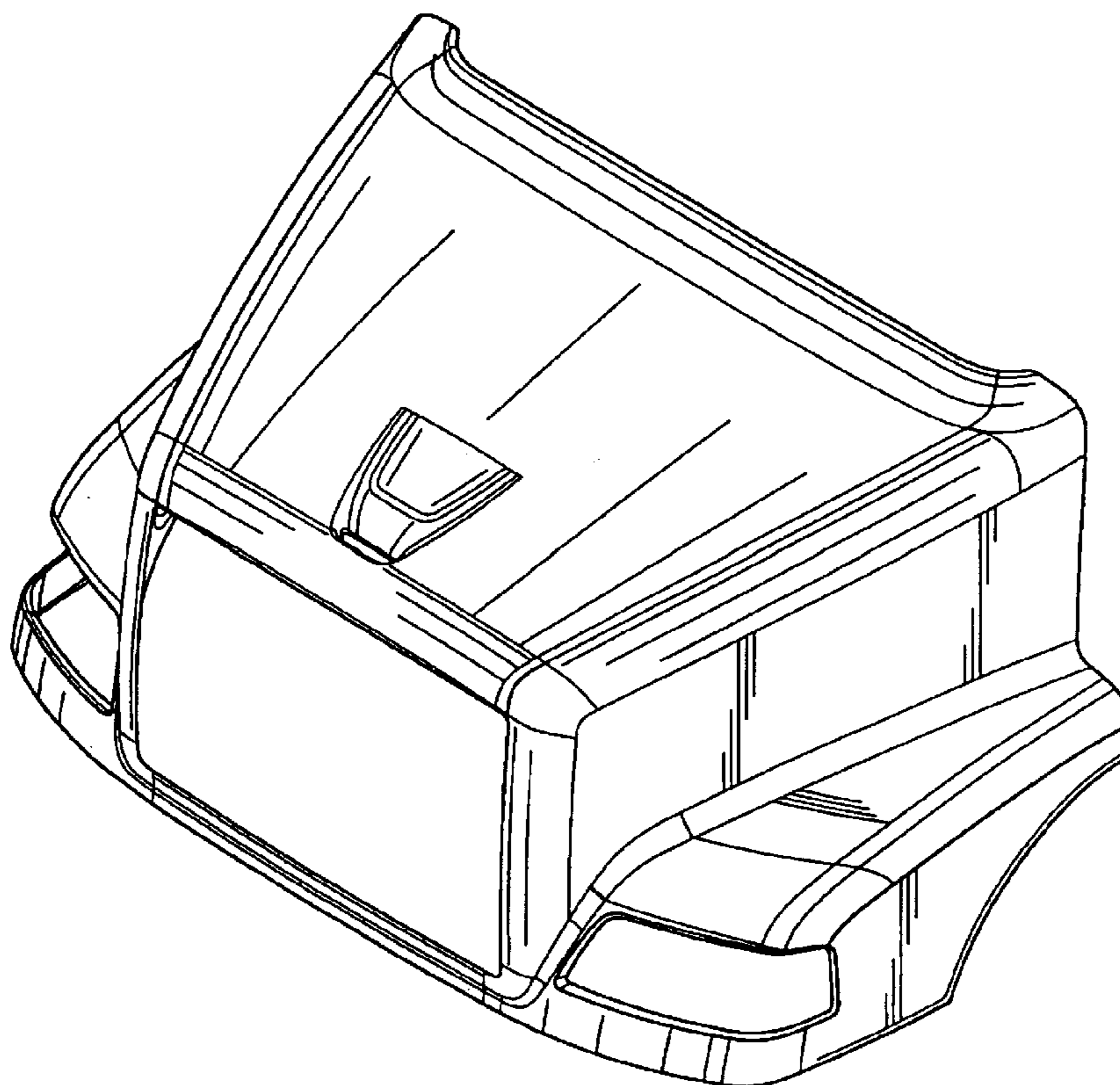
FIG. 6 is a rear elevational view thereof;

FIG. 7 is a top plan view thereof; and,

FIG. 8 is a bottom plan view thereof.

The broken lines shown are for illustrative purposes only and form no part of the claimed design.

**1 Claim, 5 Drawing Sheets**



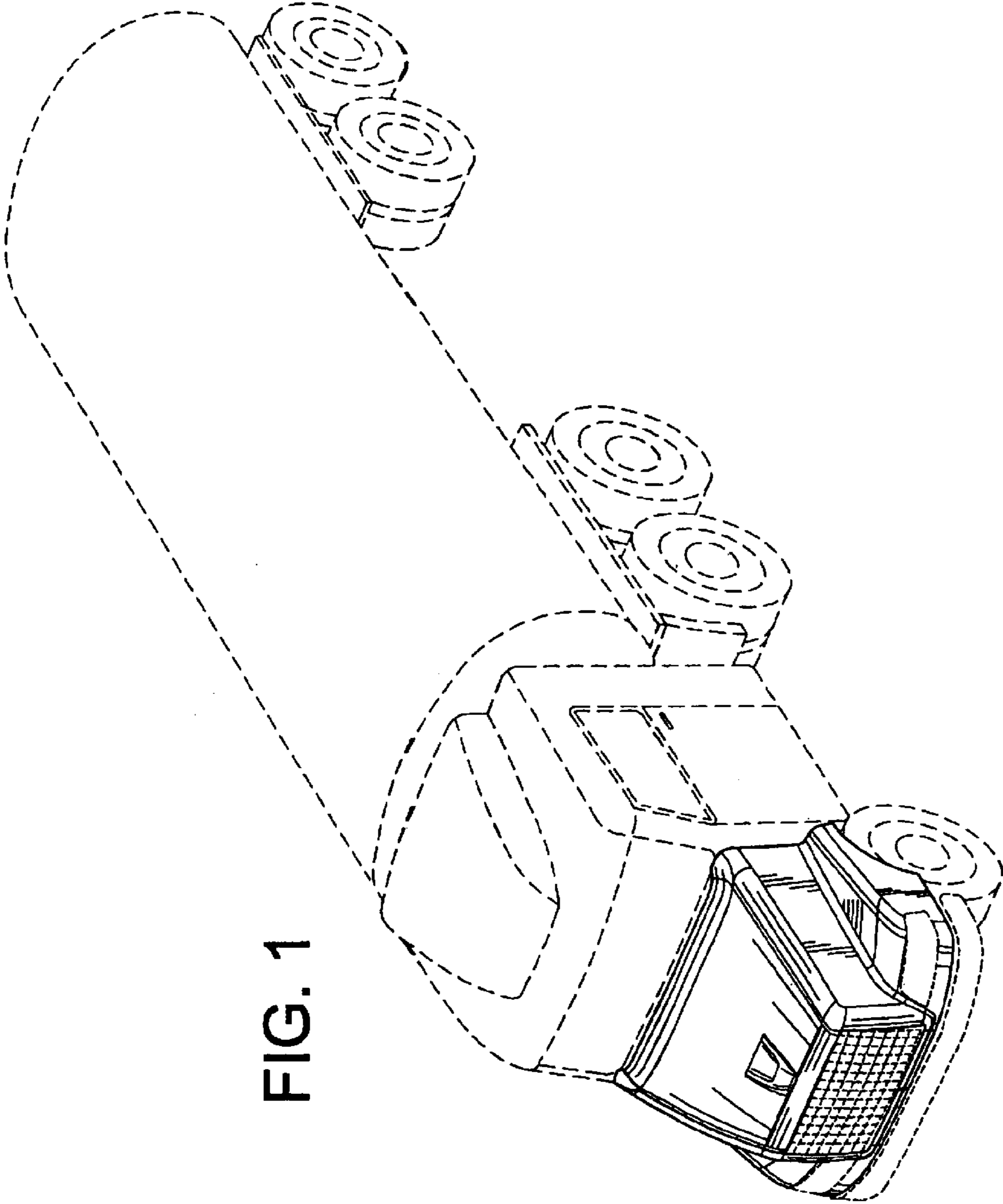


FIG. 1

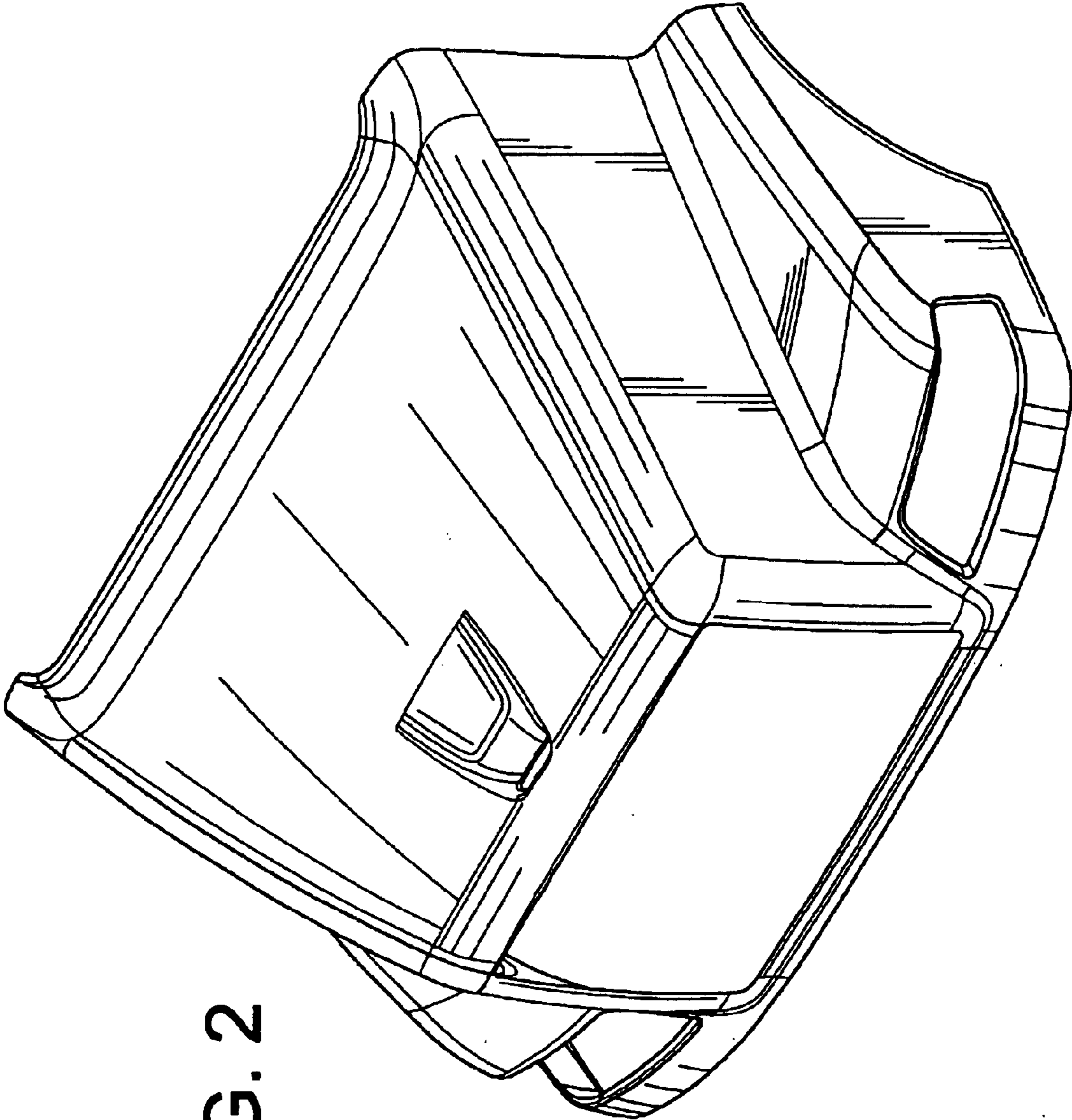


FIG. 2

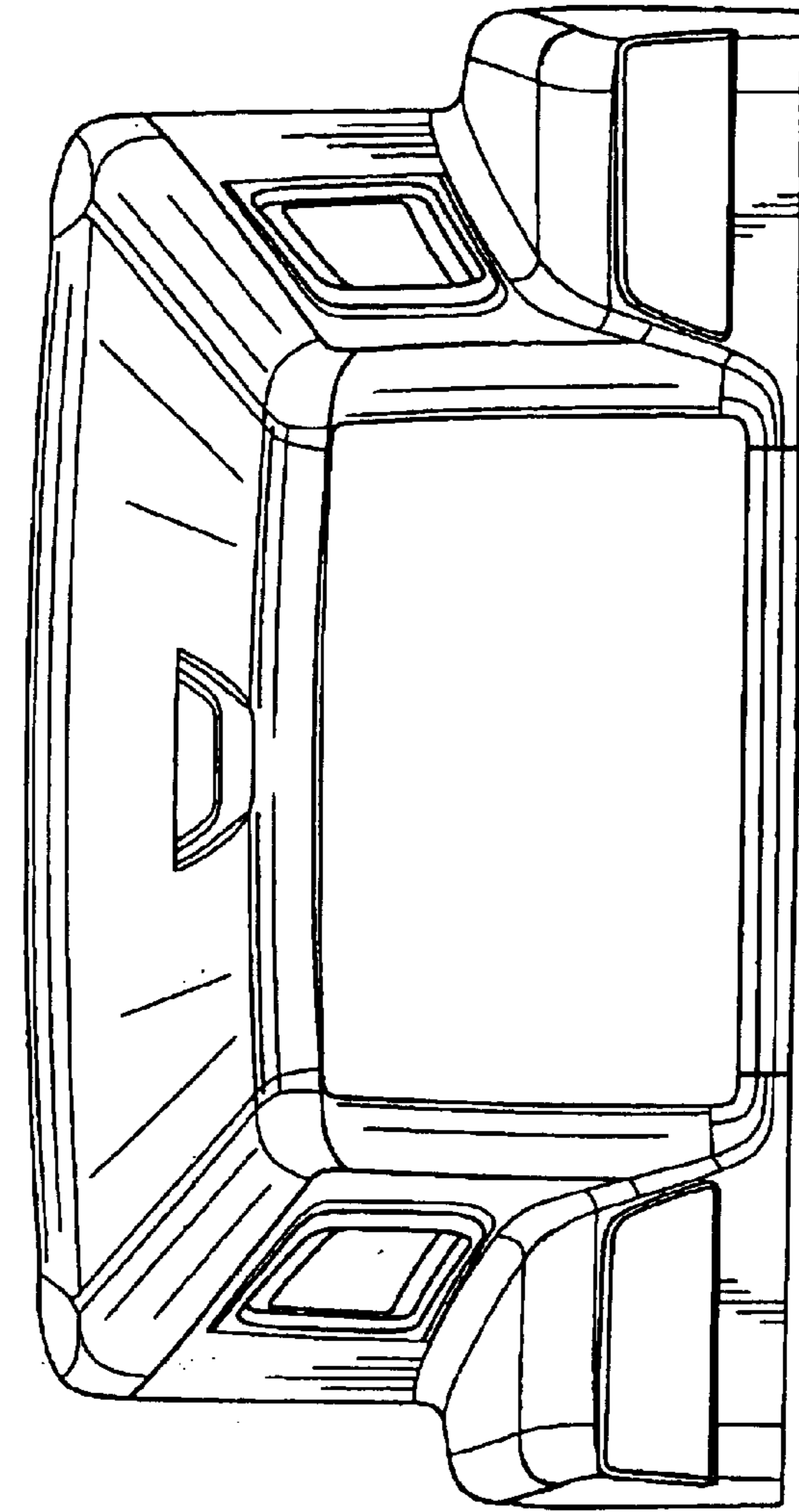


FIG. 4

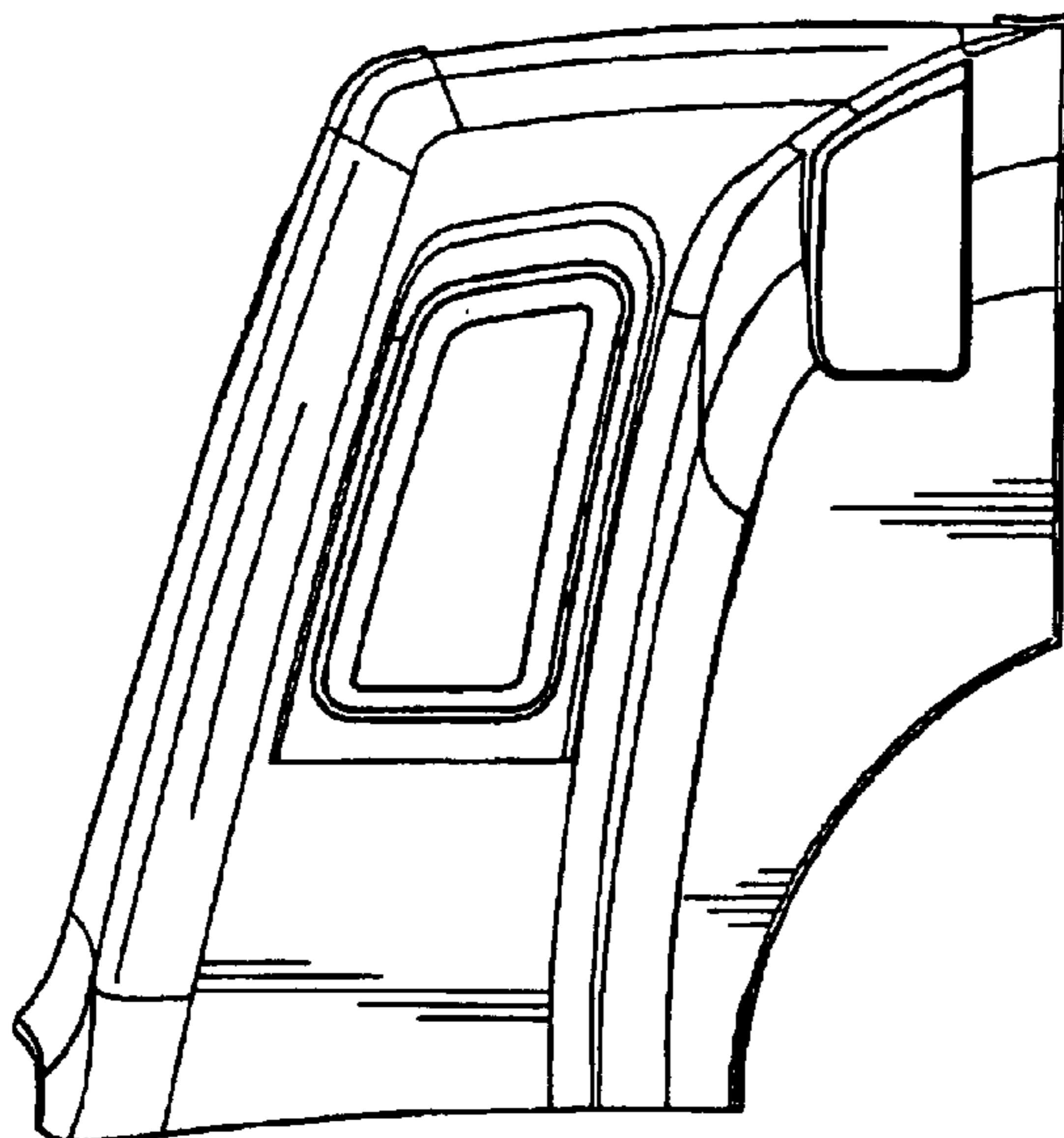


FIG. 3



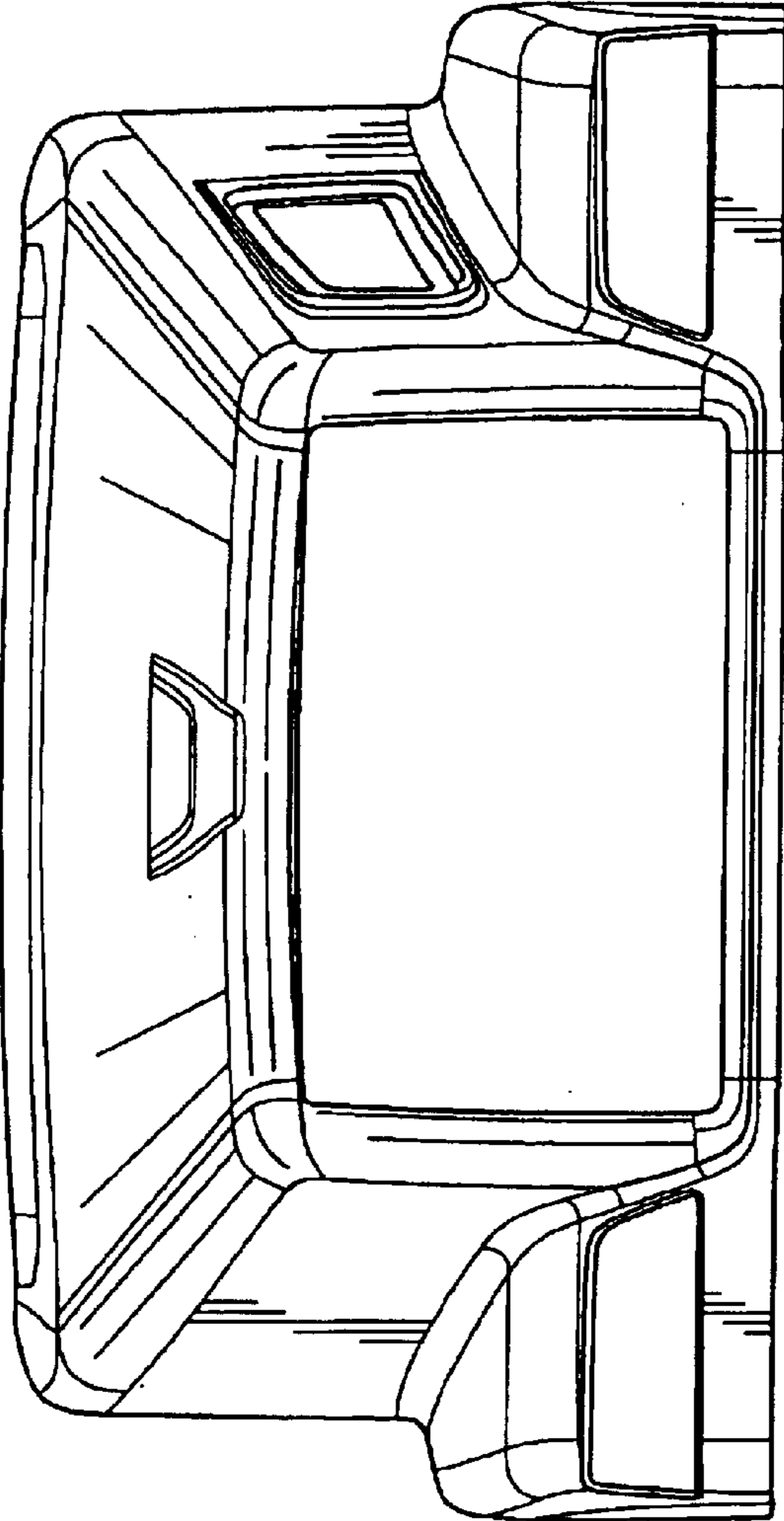


FIG. 6

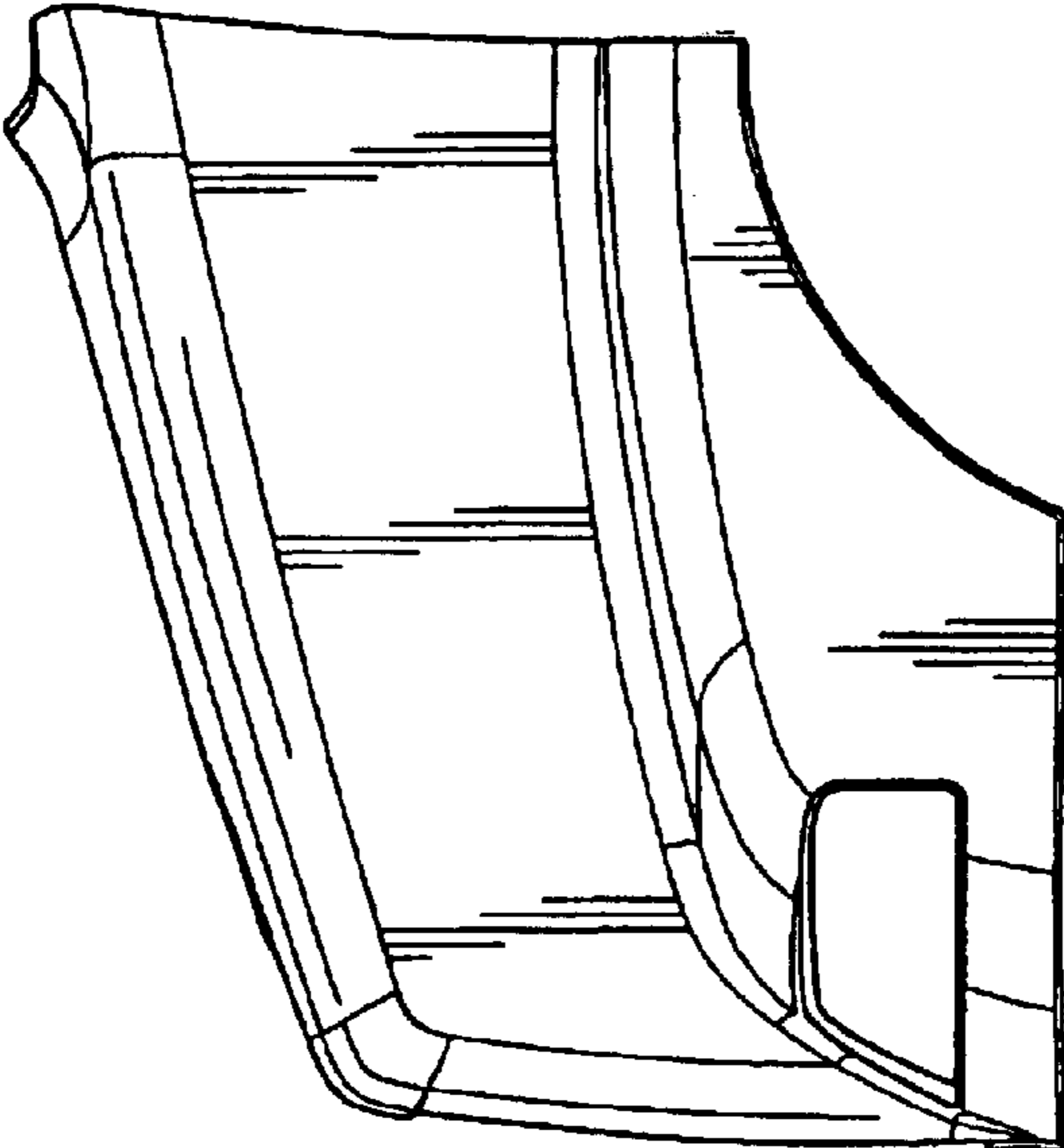


FIG. 5

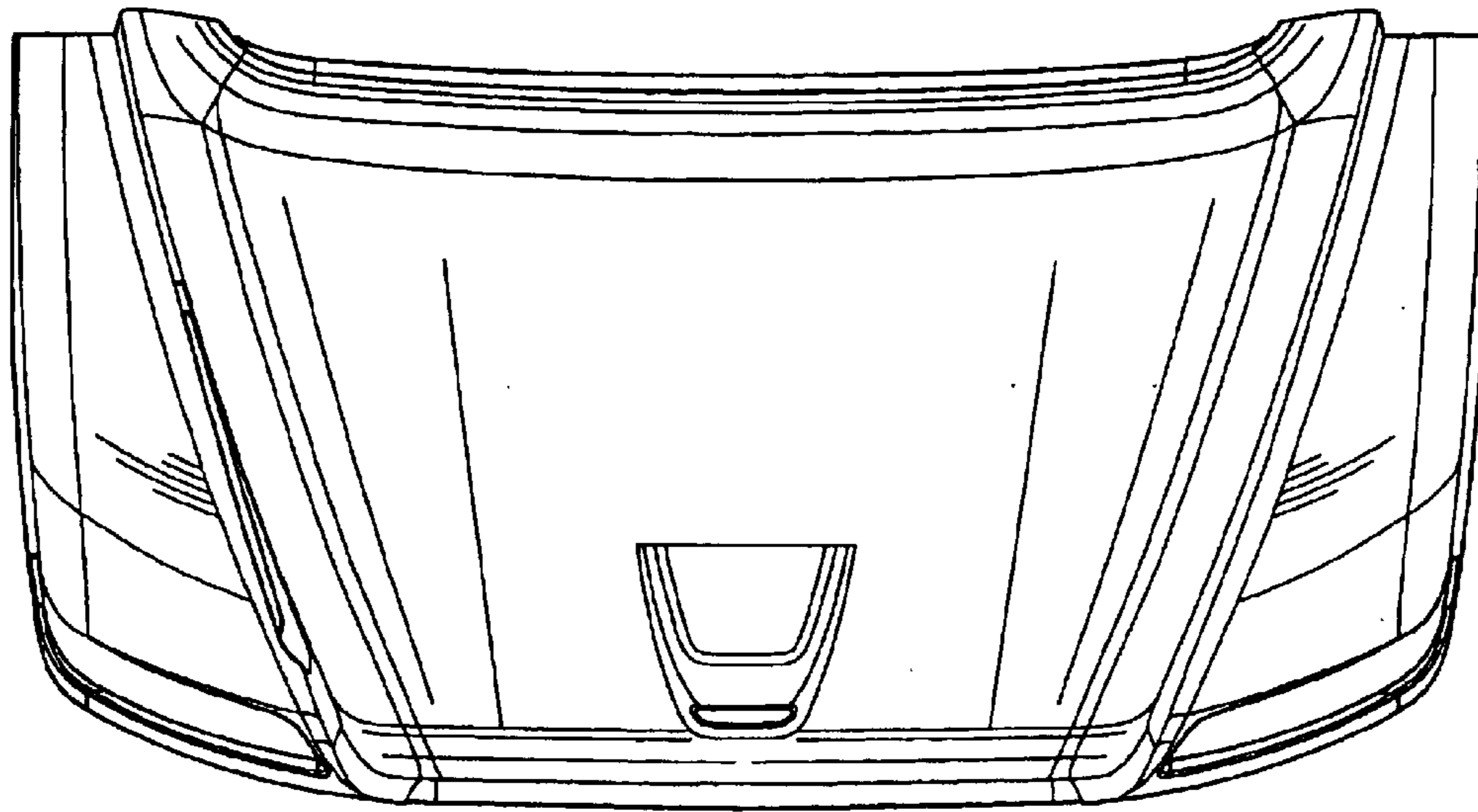


FIG. 7

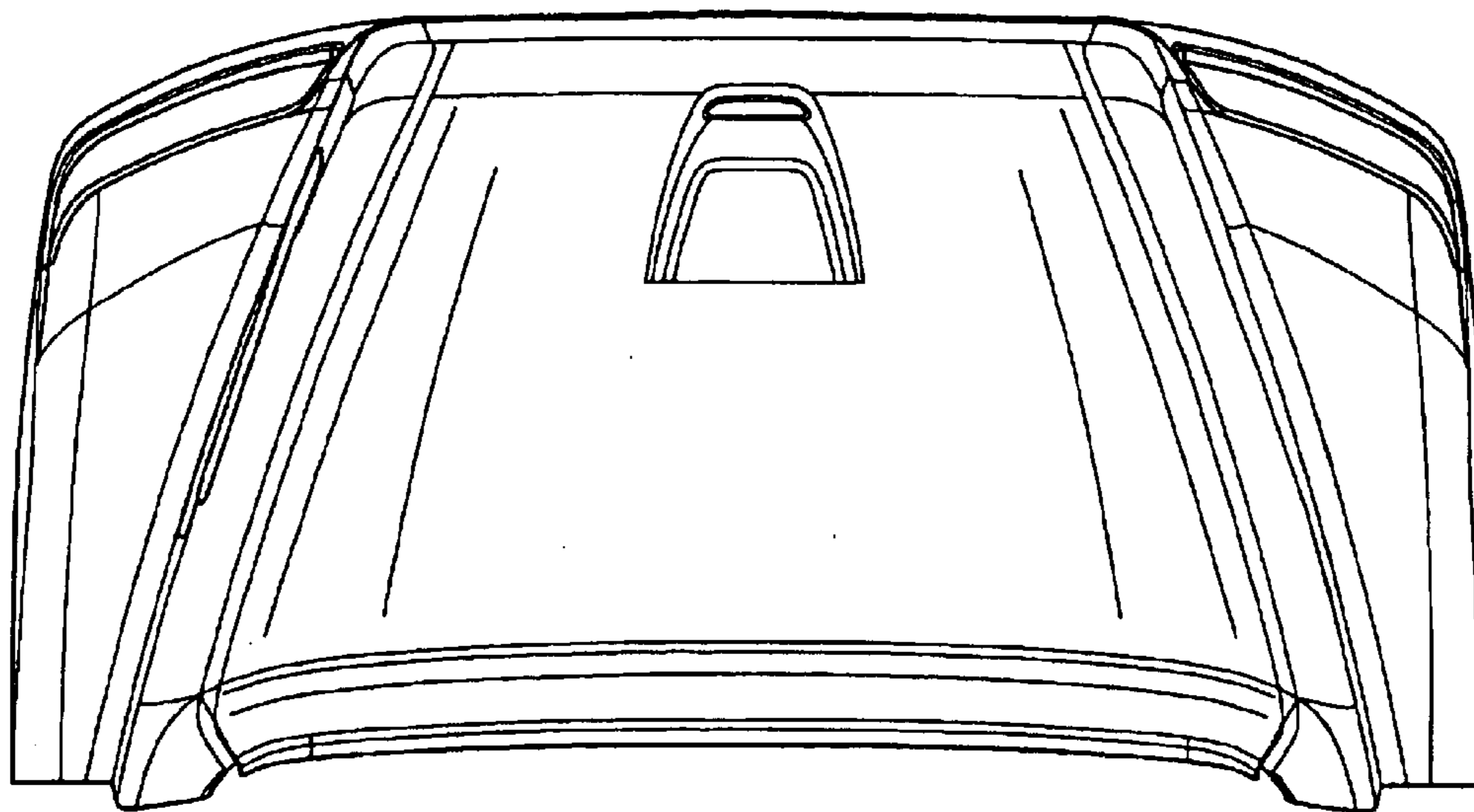


FIG. 8