



US00D504640S

(12) **United States Design Patent**
Conte

(10) **Patent No.:** **US D504,640 S**
(45) **Date of Patent:** **** May 3, 2005**

(54) **MOTORCYCLE**

(74) *Attorney, Agent, or Firm*—Plumsea Law Group, LLC

(75) **Inventor:** **Bruno Conte**, Redondo Beach, CA
(US)

(57) **CLAIM**

The ornamental design for a motorcycle, as shown and described.

(73) **Assignee:** **Honda Motor Co., Ltd.**, Tokyo (JP)

(**) **Term:** **14 Years**

DESCRIPTION

(21) **Appl. No.:** **29/198,676**

FIG. 1 is a left frontal perspective view of a motorcycle showing my new design;

(22) **Filed:** **Feb. 3, 2004**

FIG. 2 is a right frontal perspective view thereof;

(51) **LOC (7) Cl.** **12-11**

FIG. 3 is a left rear perspective view thereof;

(52) **U.S. Cl.** **D12/110**

FIG. 4 is a right rear perspective view thereof;

(58) **Field of Search** **D12/110; 180/219**

FIG. 5 is a left side elevational view thereof;

(56) **References Cited**

FIG. 6 is a right side elevational view thereof;

U.S. PATENT DOCUMENTS

FIG. 7 is a front elevational view thereof;

D344,046 S * 2/1994 Kitagawa et al. D12/110

FIG. 8 is a rear elevational view thereof; and,

D398,265 S * 9/1998 Robb et al. D12/110

FIG. 9 is a top plan view thereof.

D497,573 S * 10/2004 James D12/110

OTHER PUBLICATIONS

The broken line showing of the wheels and tires are for illustrative purposes only and form no part of the claimed invention.

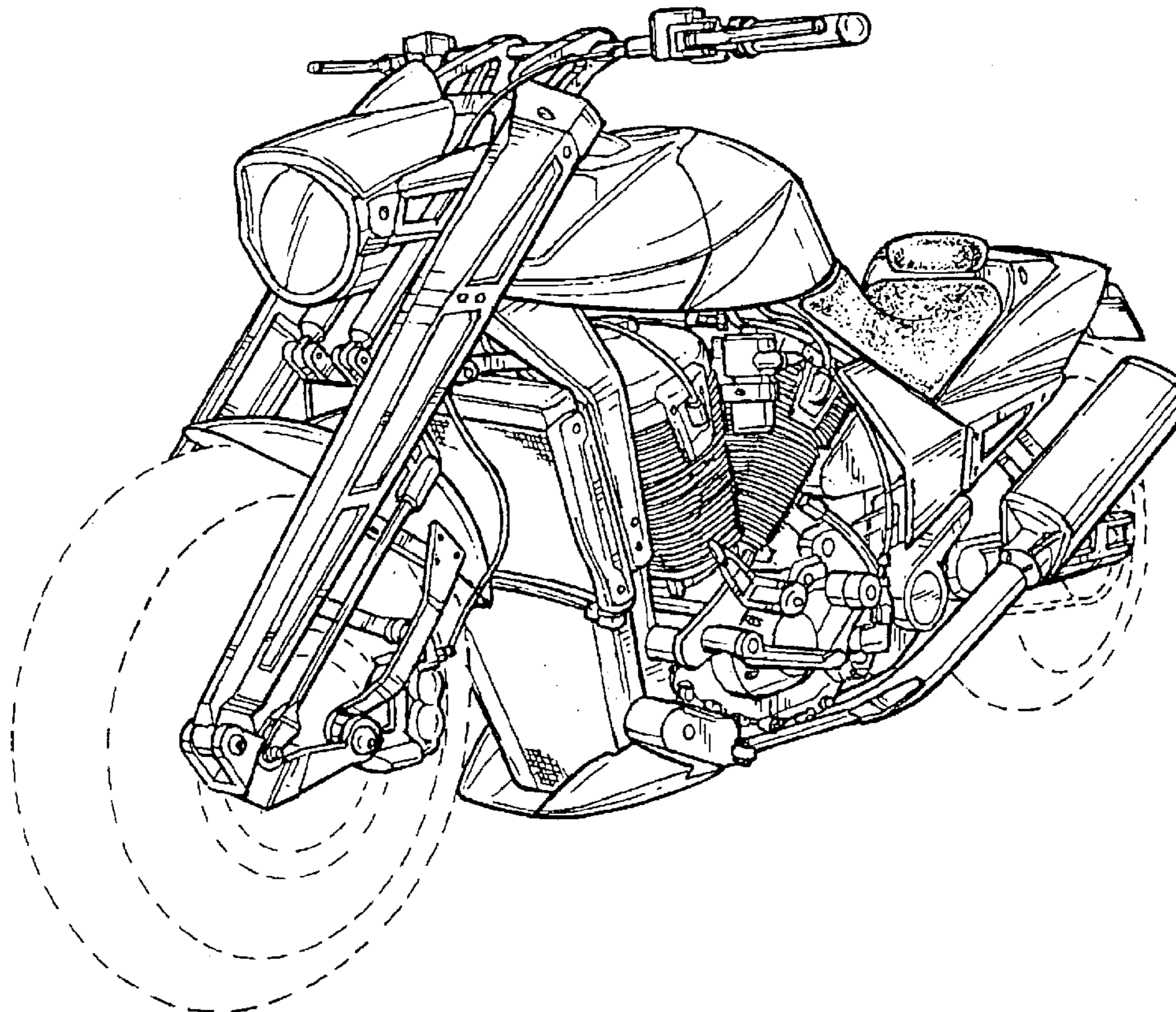
Photos of 2004 Honda Valkyrie Rune Motorcycle (4 sheets).

* cited by examiner

Primary Examiner—Alan P. Douglas

1 Claim, 8 Drawing Sheets

Assistant Examiner—Linda Brooks



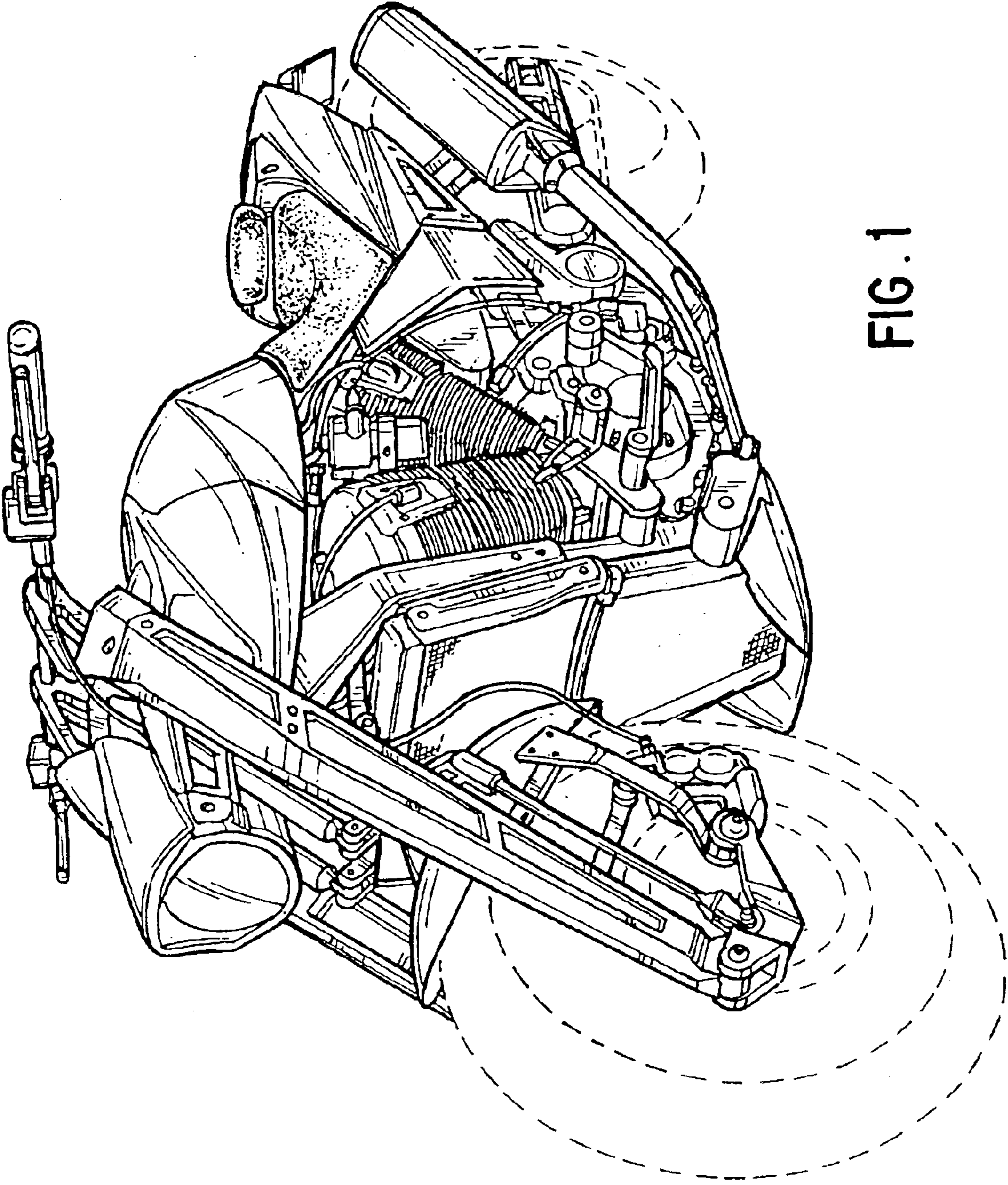


FIG. 1

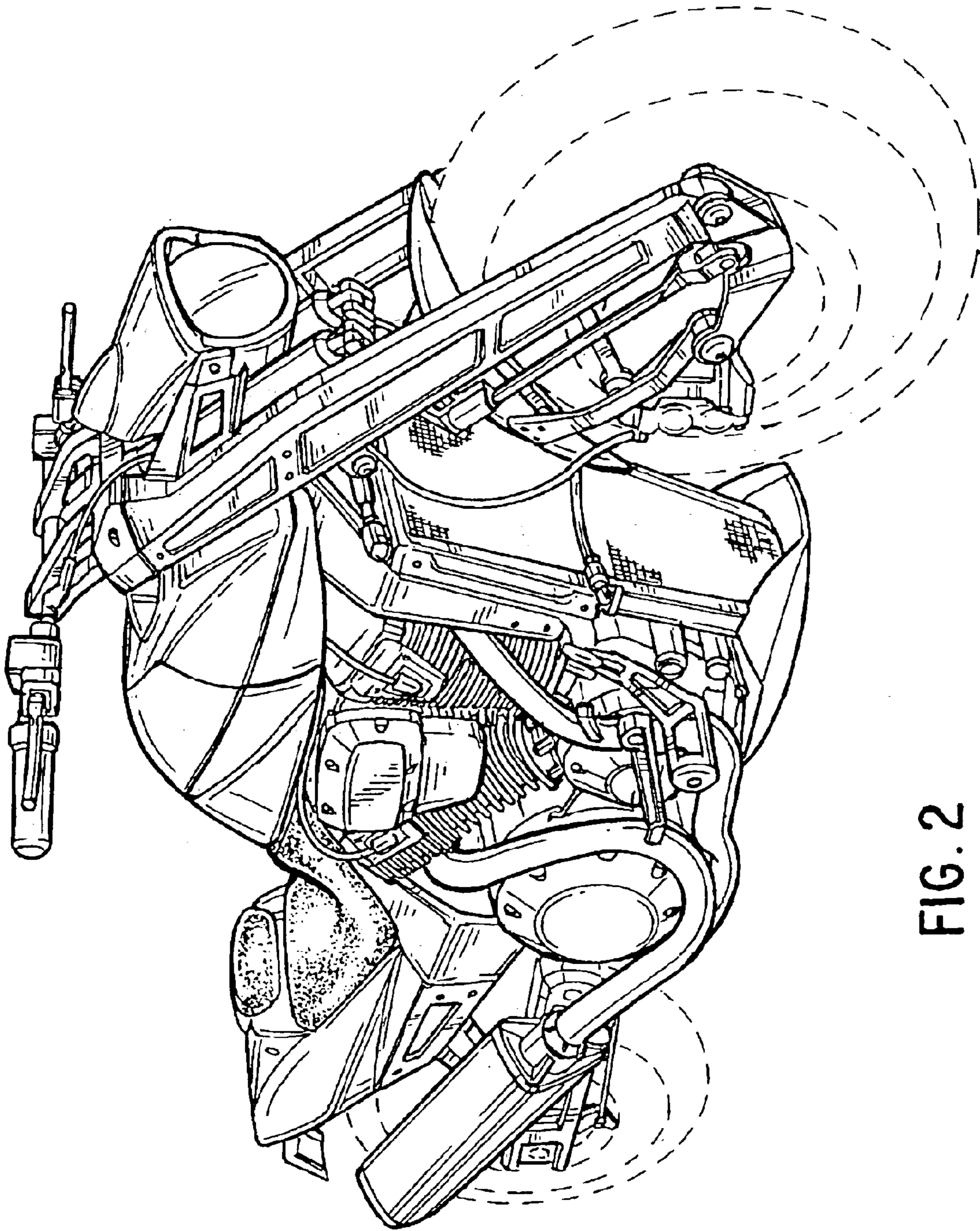


FIG. 2

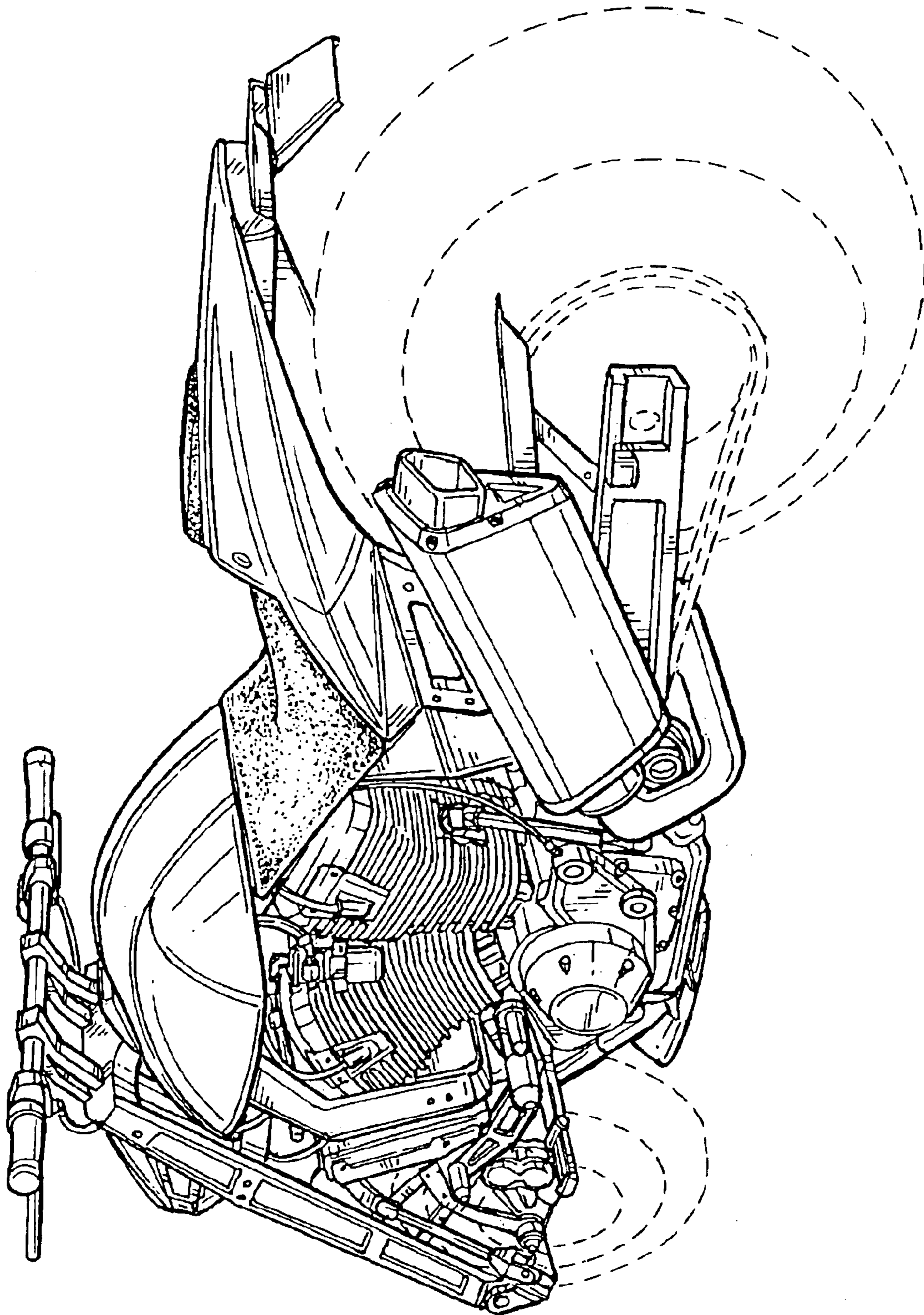


FIG. 3

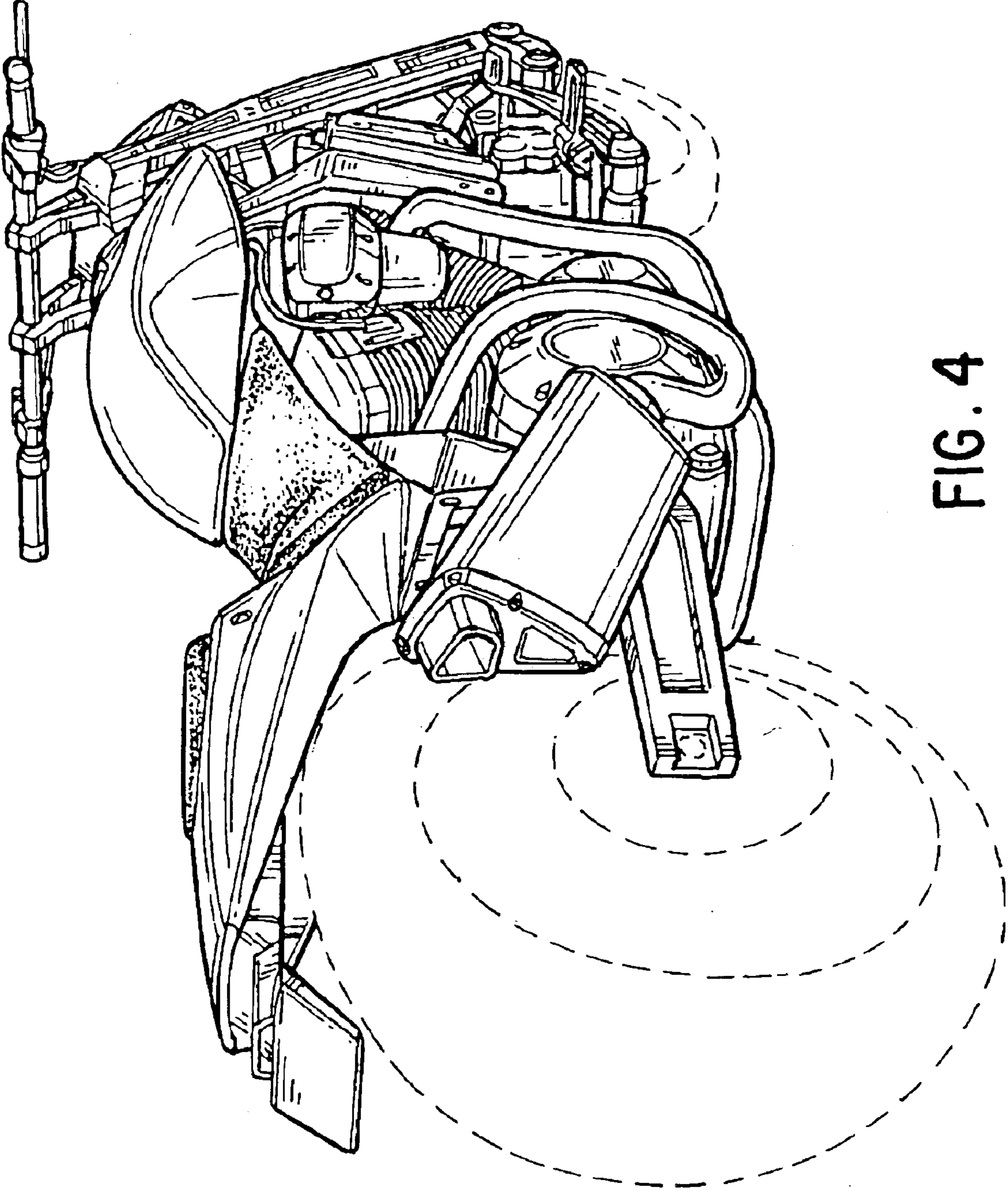


FIG. 4

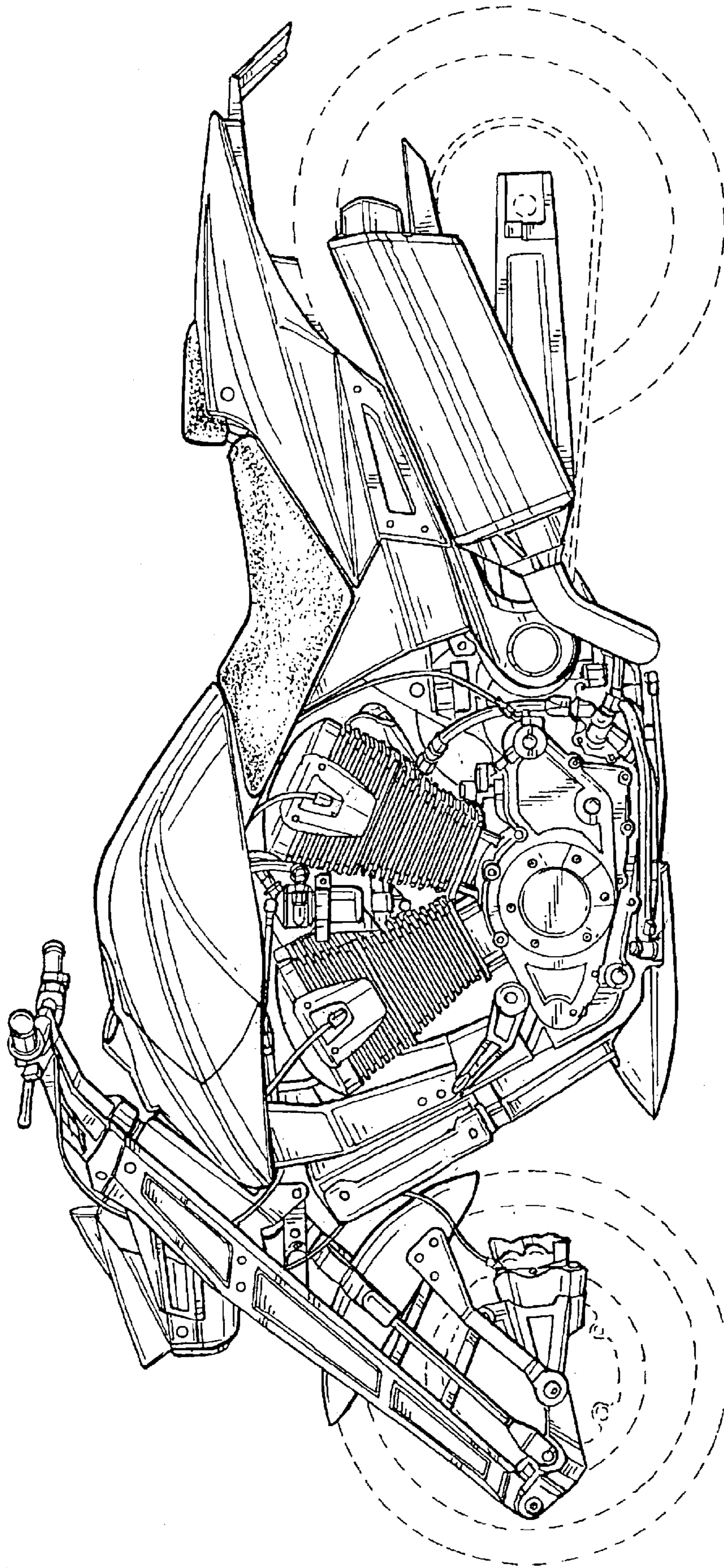


FIG. 5

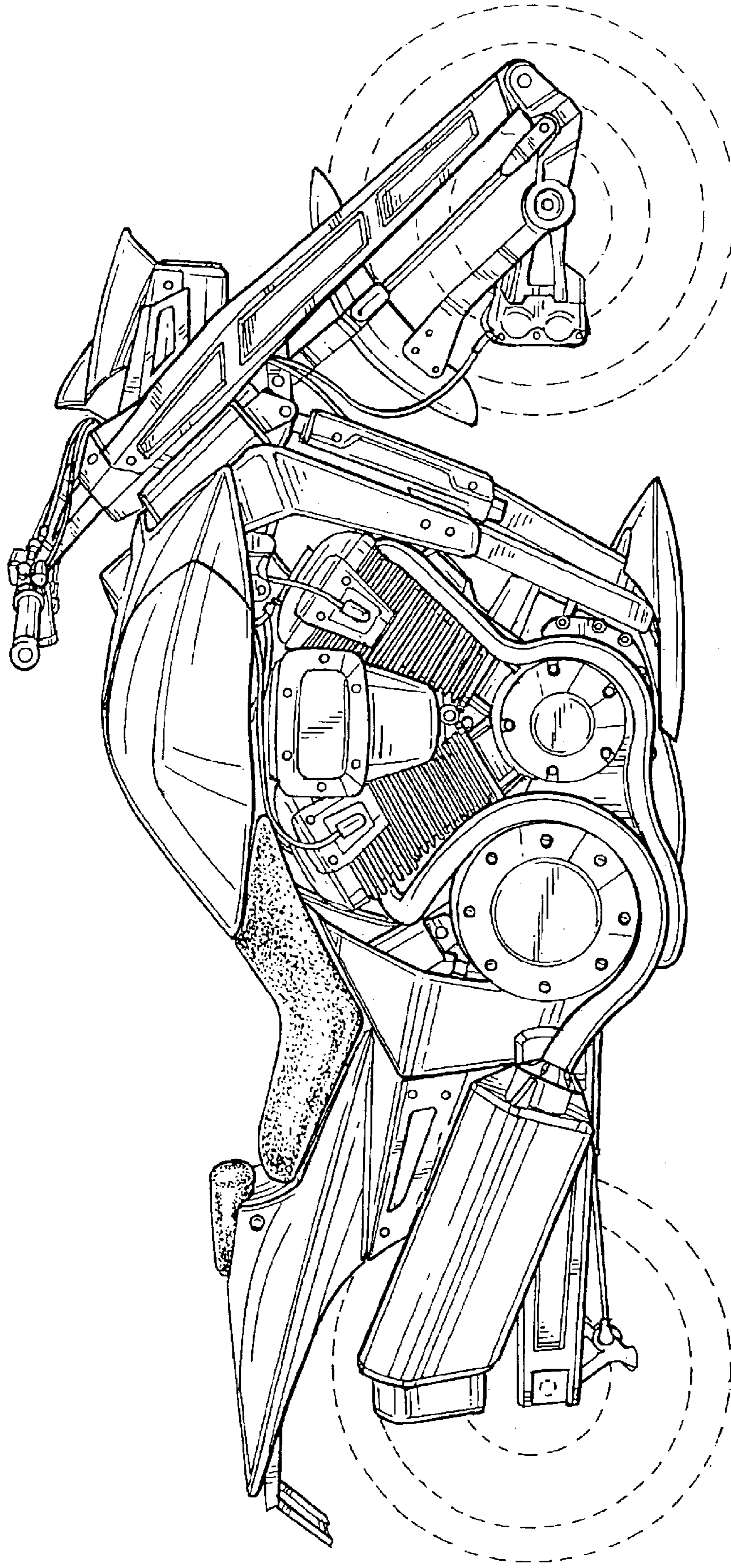


FIG. 6

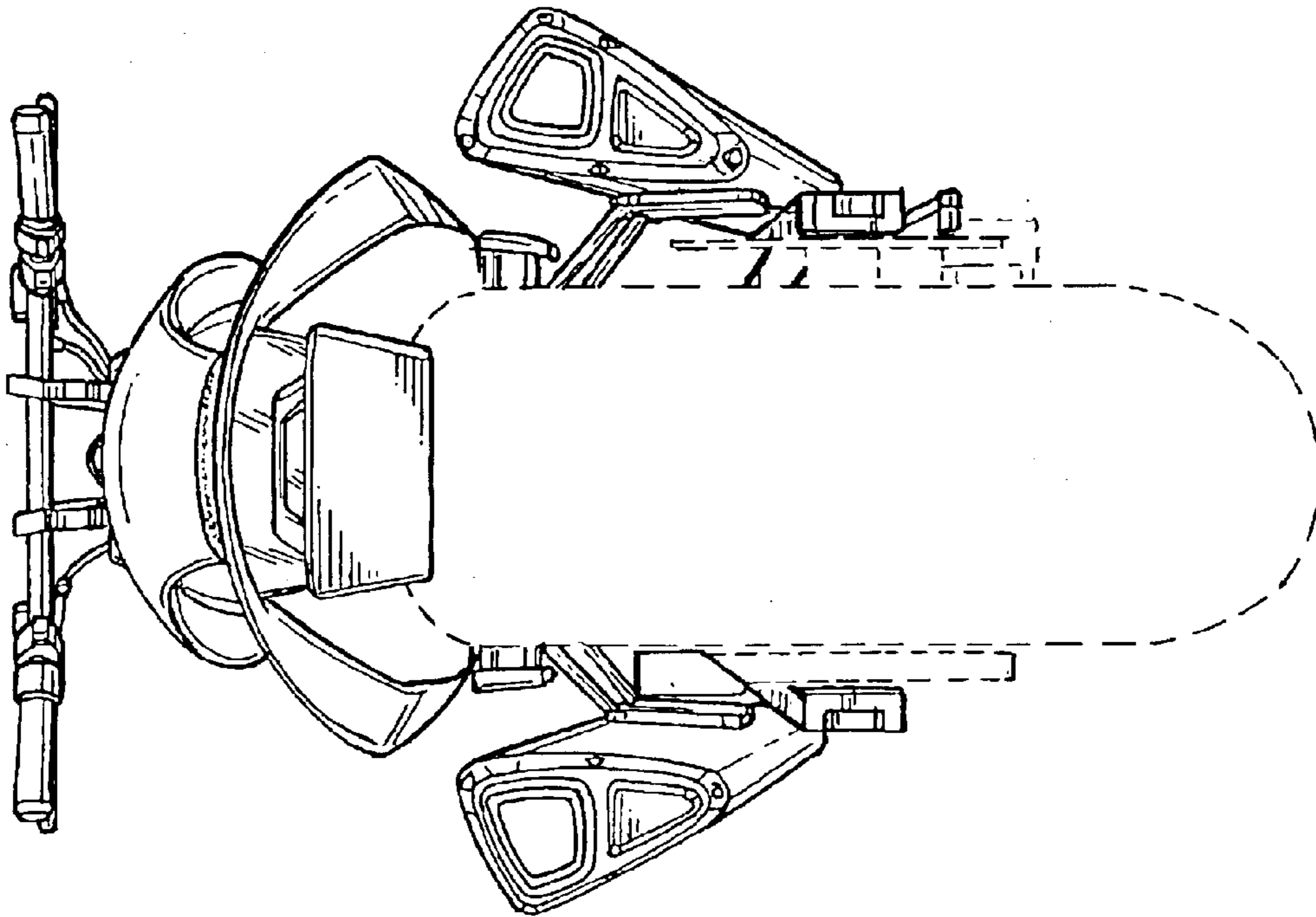


FIG. 8

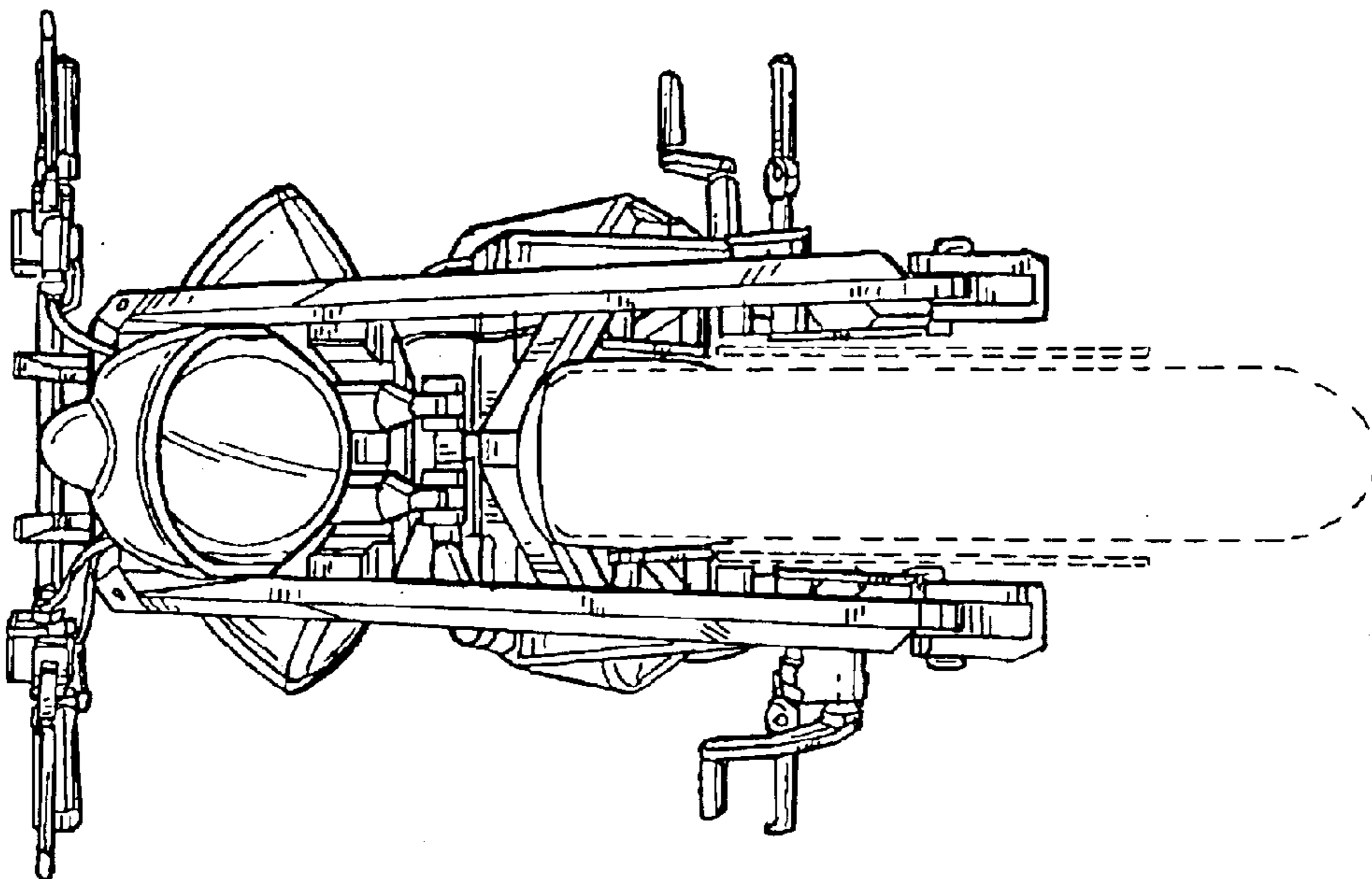


FIG. 7

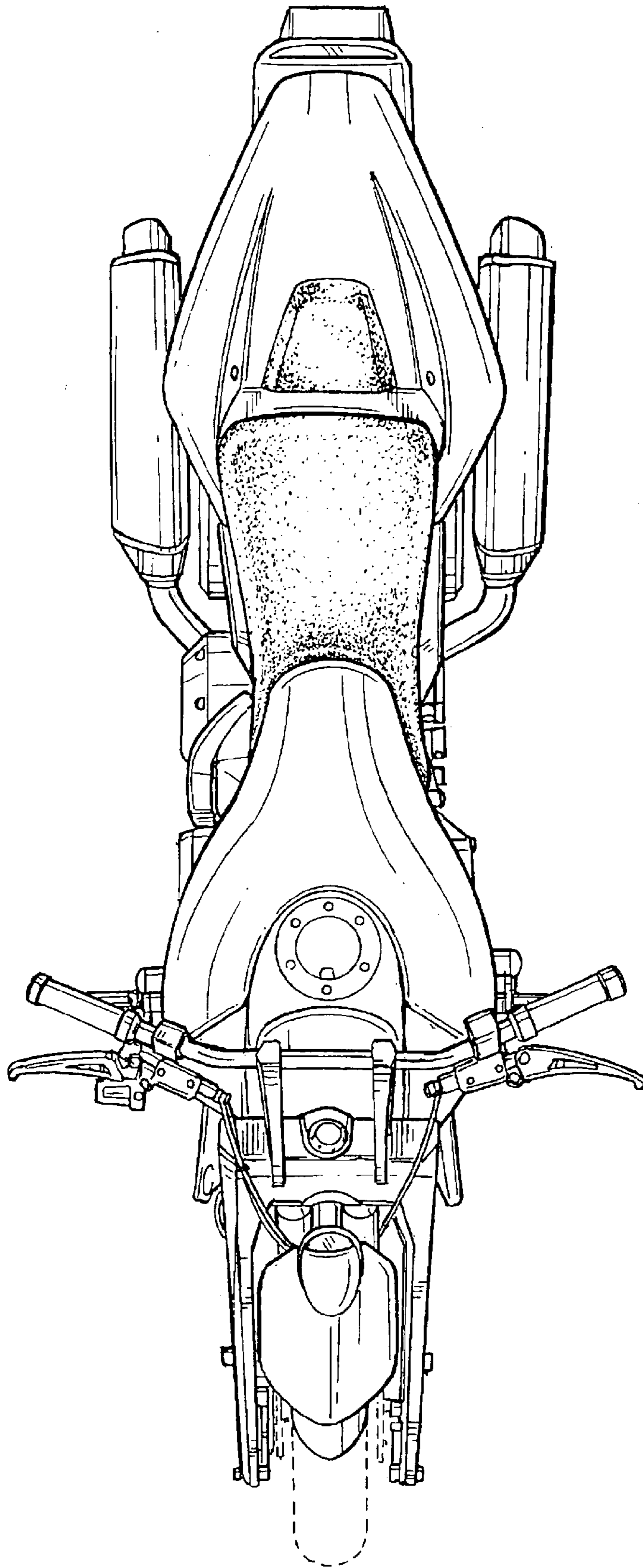


FIG. 9