

US00D504632S

(12) **United States Design Patent**  
**Nishiura et al.**

(10) **Patent No.:** **US D504,632 S**  
(45) **Date of Patent:** **\*\* May 3, 2005**

(54) **PEDOMETER**

(75) Inventors: **Shin Nishiura**, Kyoto (JP); **Koji Torii**,  
Kyoto (JP); **Nobuo Kubo**, Kyoto (JP);  
**Hiroshi Ogawa**, Kyoto (JP)

(73) Assignee: **Omron Corporation**, Kyoto (JP)

(\*\*) Term: **14 Years**

(21) Appl. No.: **29/180,512**

(22) Filed: **Apr. 25, 2003**

(30) **Foreign Application Priority Data**

Dec. 3, 2002 (JP) ..... 2002-033400

(51) **LOC (7) Cl.** ..... **10-04**

(52) **U.S. Cl.** ..... **D10/97**

(58) **Field of Search** ..... D10/97; 377/24.2;  
700/78, 12-15; 235/105

(56) **References Cited**

**U.S. PATENT DOCUMENTS**

D328,259 S *	7/1992	Kobayashi	.....	D10/98
D375,695 S *	11/1996	Narai	.....	D10/97
6,674,832 B2 *	1/2004	Yusa	.....	377/24.2
D491,479 S *	6/2004	Hsu	.....	D10/70
2001/0031031 A1 *	10/2001	Ogawa et al.	.....	377/24.2
2003/0021372 A1 *	1/2003	Yusa	.....	377/24.2
2003/0033035 A1 *	2/2003	Mar	.....	700/78
2004/0140348 A1 *	7/2004	Fromm	.....	235/105

\* cited by examiner

*Primary Examiner*—Antoine D. Davis

(74) *Attorney, Agent, or Firm*—Dickstein Shapiro Morin &  
Oshinsky LLP

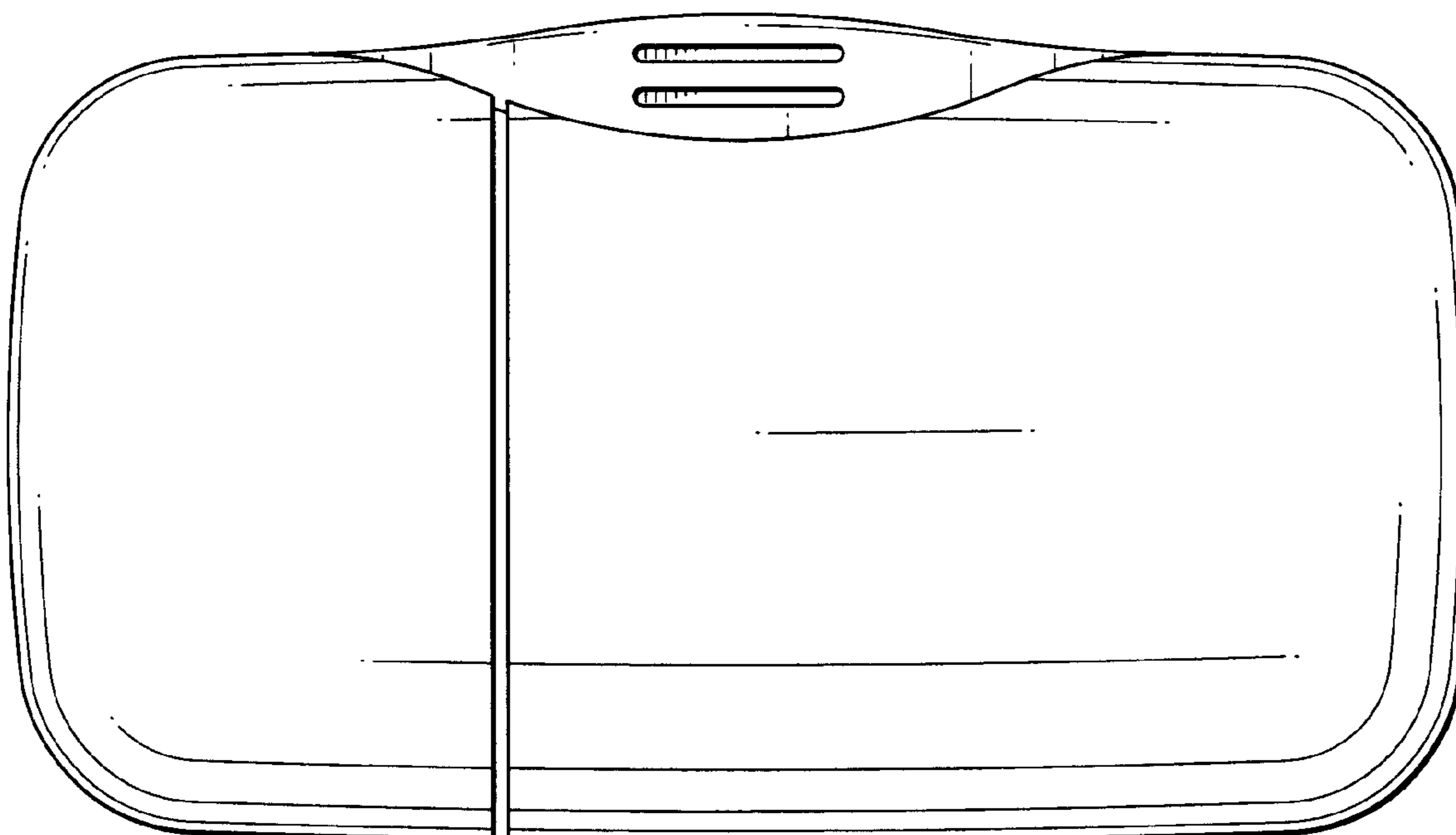
(57) **CLAIM**

The ornamental design for a pedometer, as shown and described.

**DESCRIPTION**

FIG. 1 is a front view of our new design for a pedometer;  
 FIG. 2 is a rear view of the pedometer of FIG. 1;  
 FIG. 3 is a plan view of the pedometer of FIG. 1;  
 FIG. 4 is a bottom view of the pedometer of FIG. 1;  
 FIG. 5 is a right side view of the pedometer of FIG. 1;  
 FIG. 6 is a left side view of the pedometer of FIG. 1;  
 FIG. 7 is a perspective view of the pedometer of FIG. 1;  
 FIG. 8 is a front view of the pedometer of FIG. 1 with the cover opened;  
 FIG. 9 is a rear view of the pedometer of FIG. 1 with the cover opened;  
 FIG. 10 is a plan view of the pedometer of FIG. 1 with the cover opened;  
 FIG. 11 is a bottom view of the pedometer of FIG. 1 with the cover opened;  
 FIG. 12 is a right side view of the pedometer of FIG. 1 with the cover opened; and,  
 FIG. 13 is a left side view of the pedometer of FIG. 1 with the cover opened.

**1 Claim, 6 Drawing Sheets**



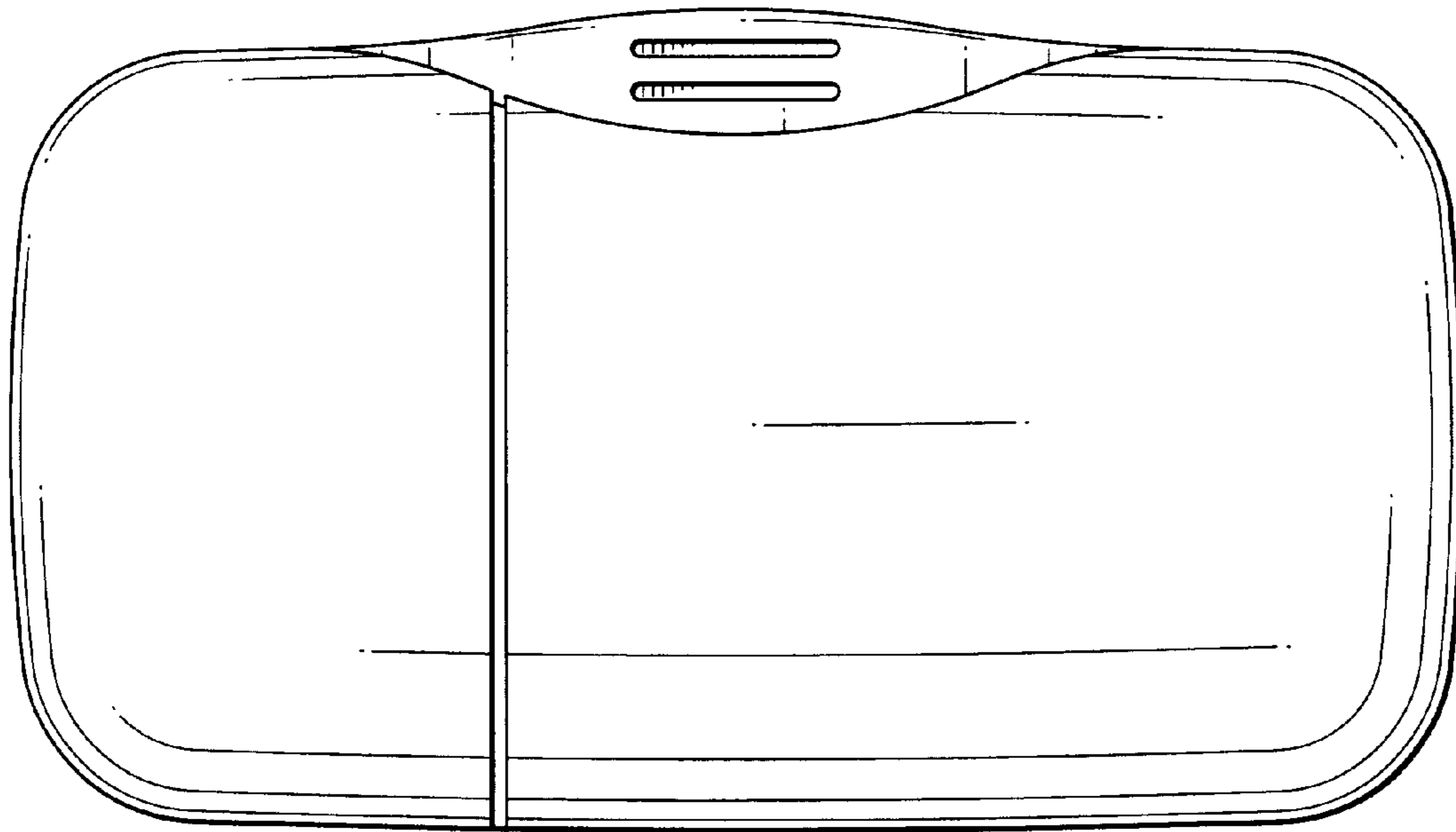


FIG. 1

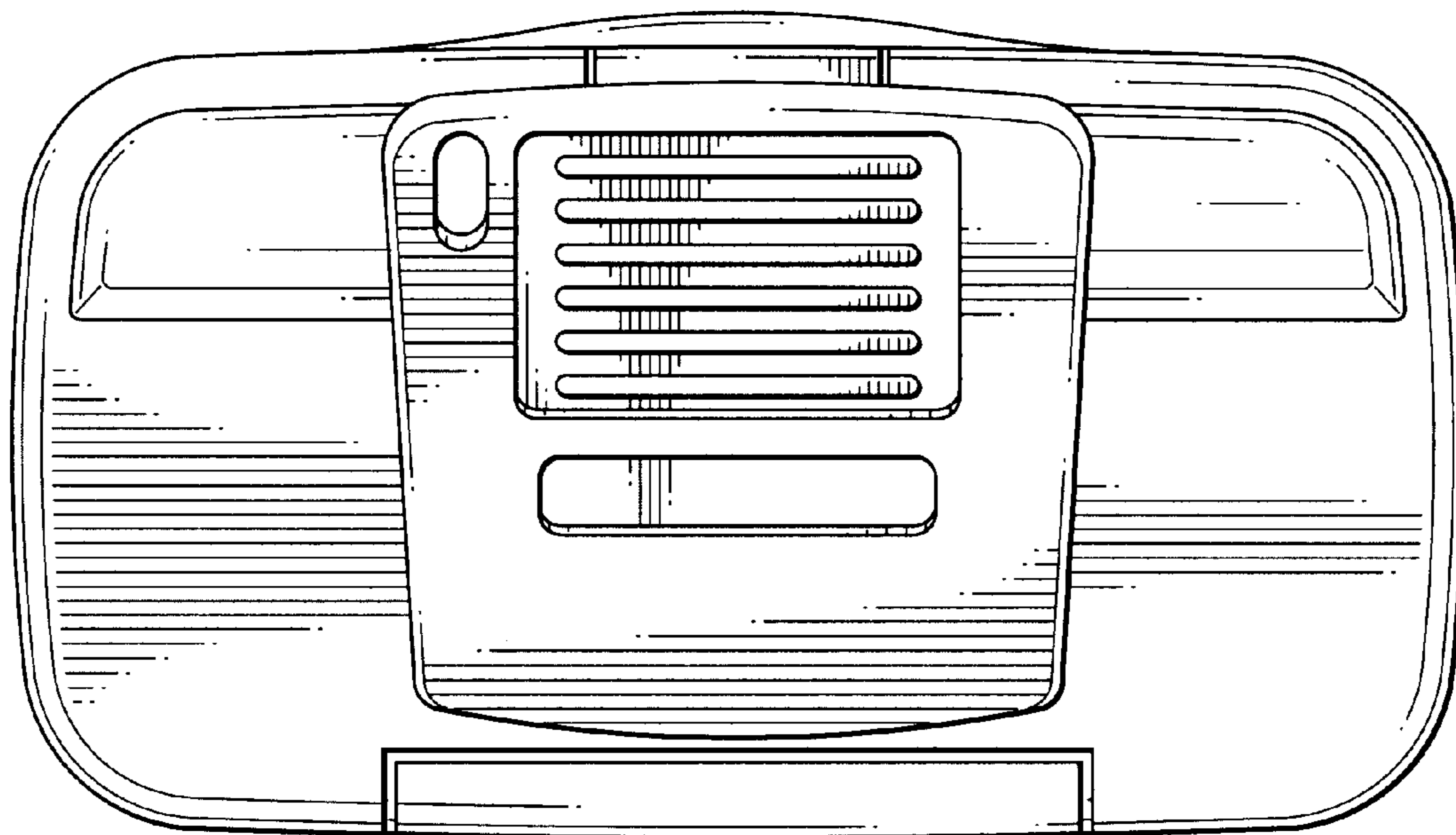


FIG. 2

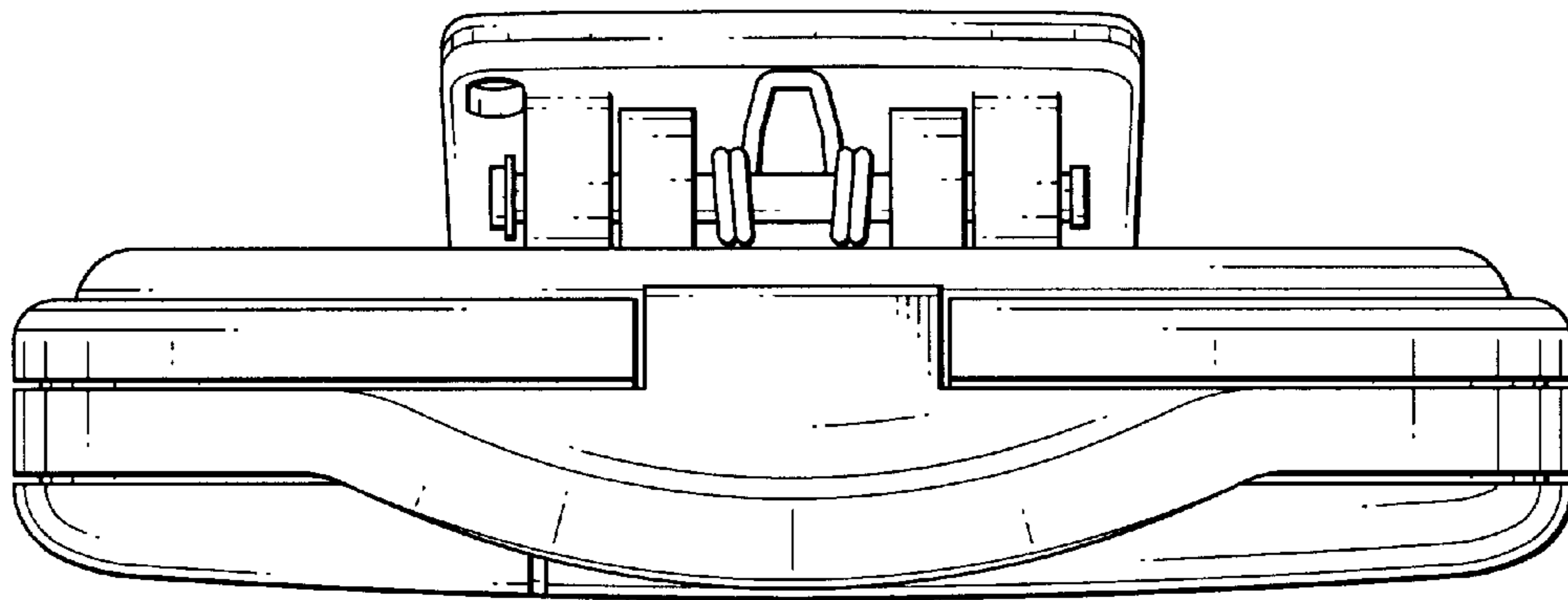


FIG. 3

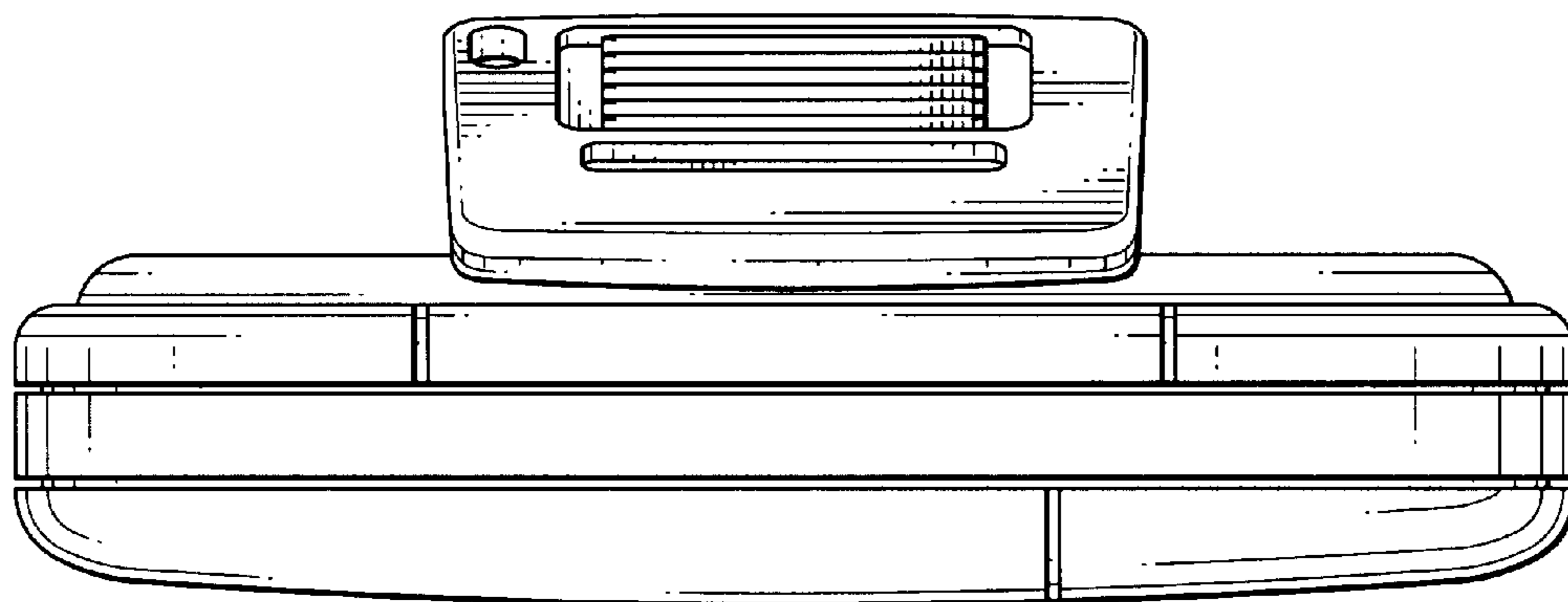


FIG. 4

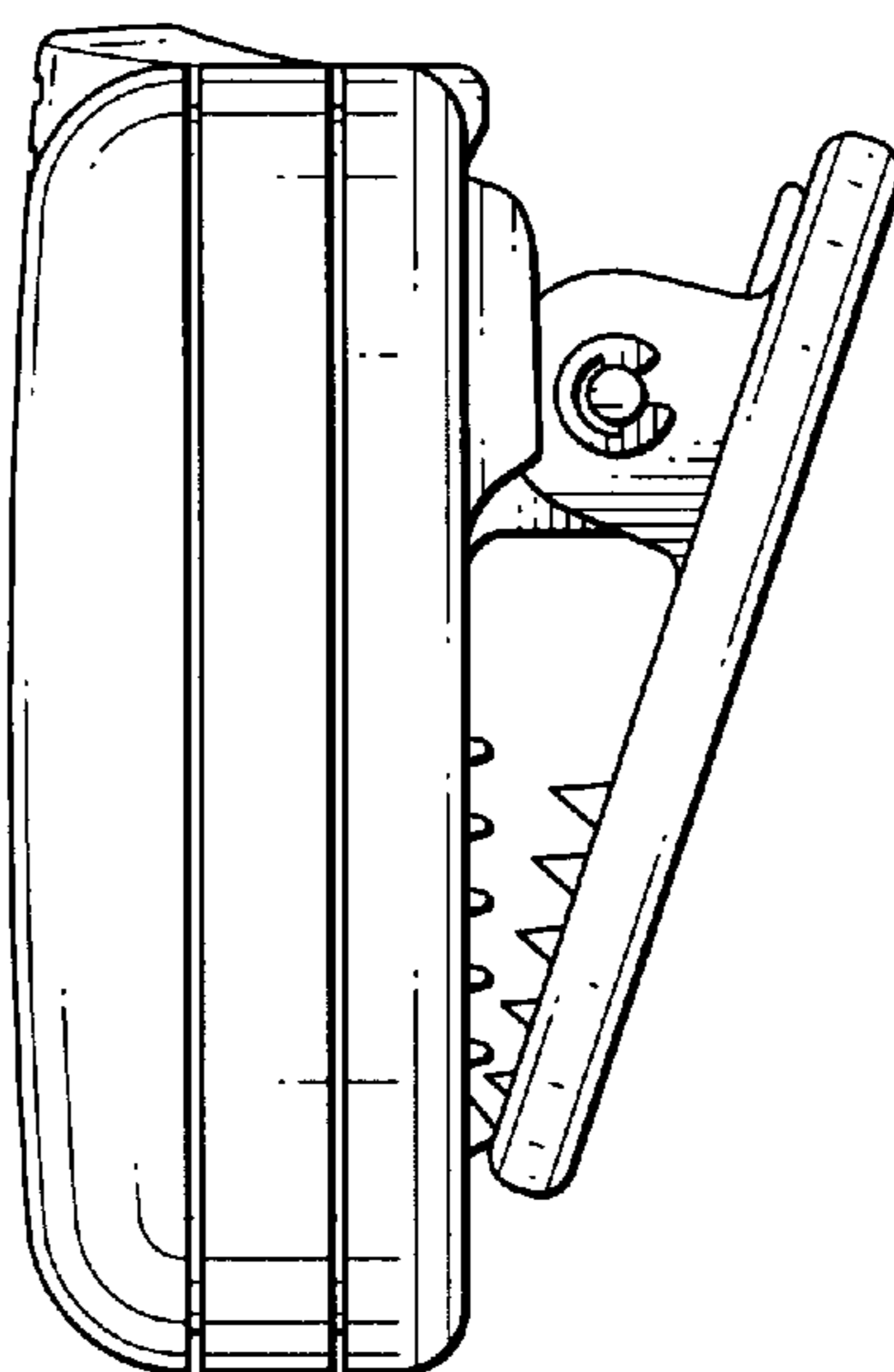


FIG. 5

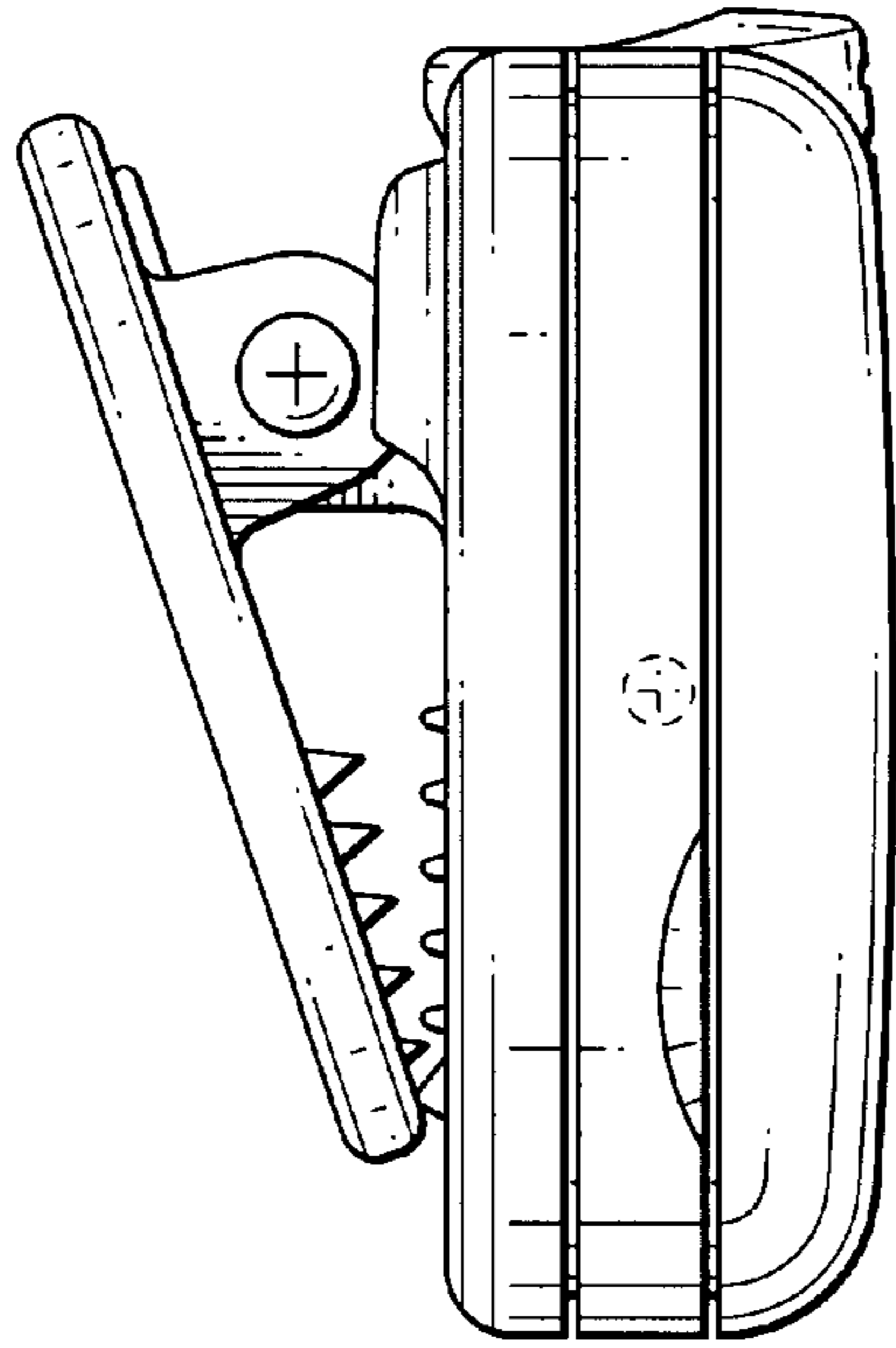


FIG. 6

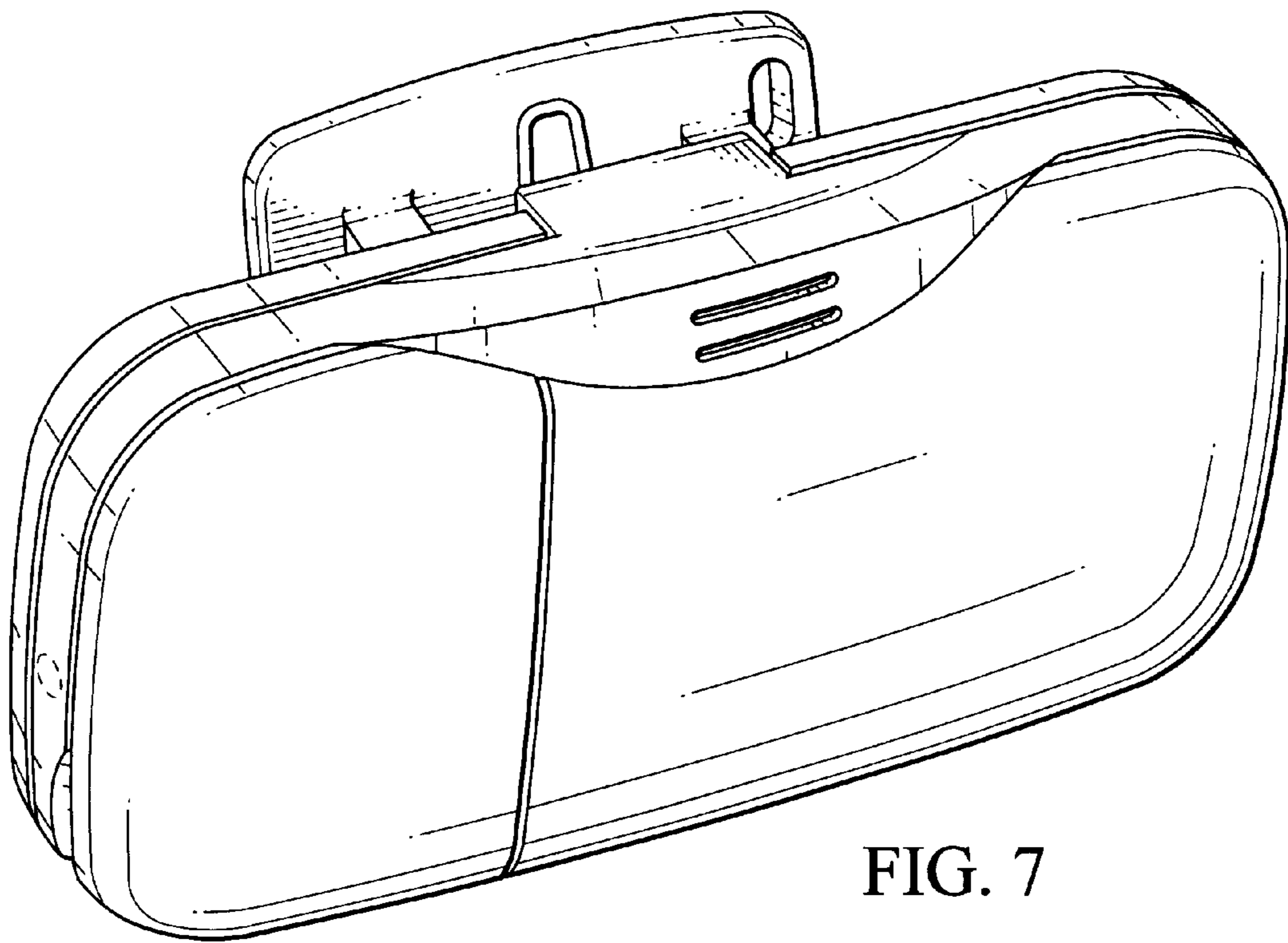


FIG. 7

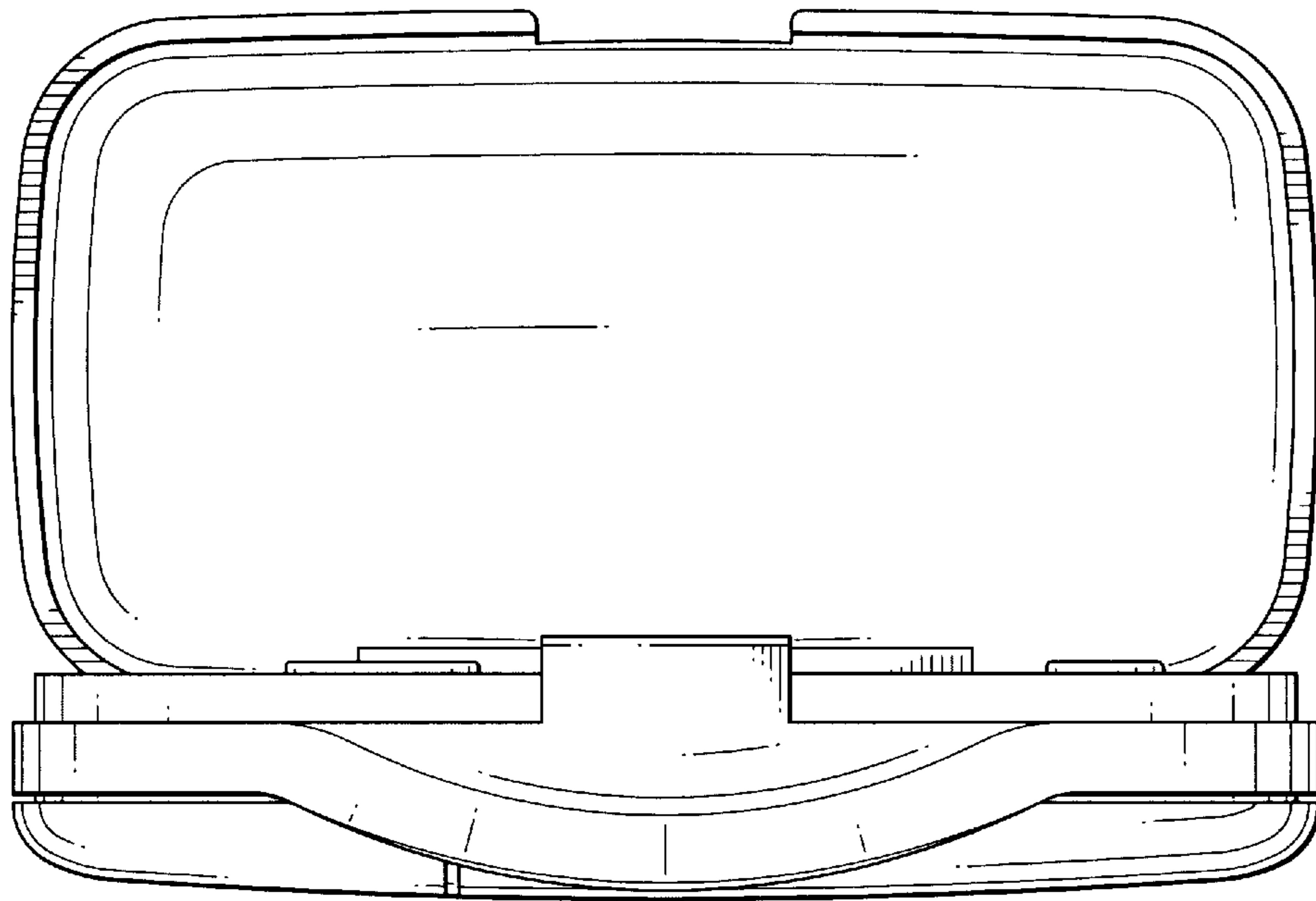


FIG. 8

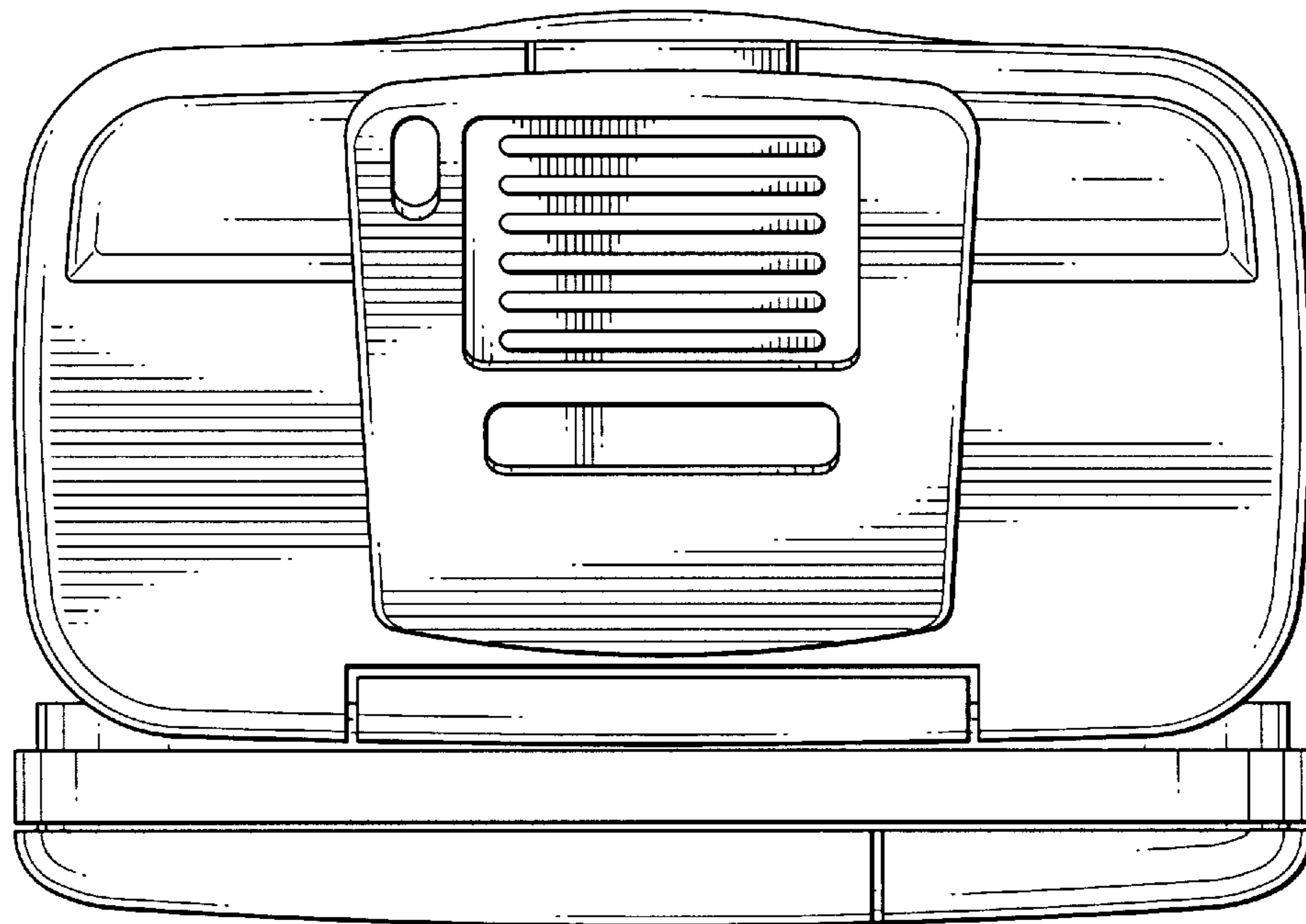


FIG. 9



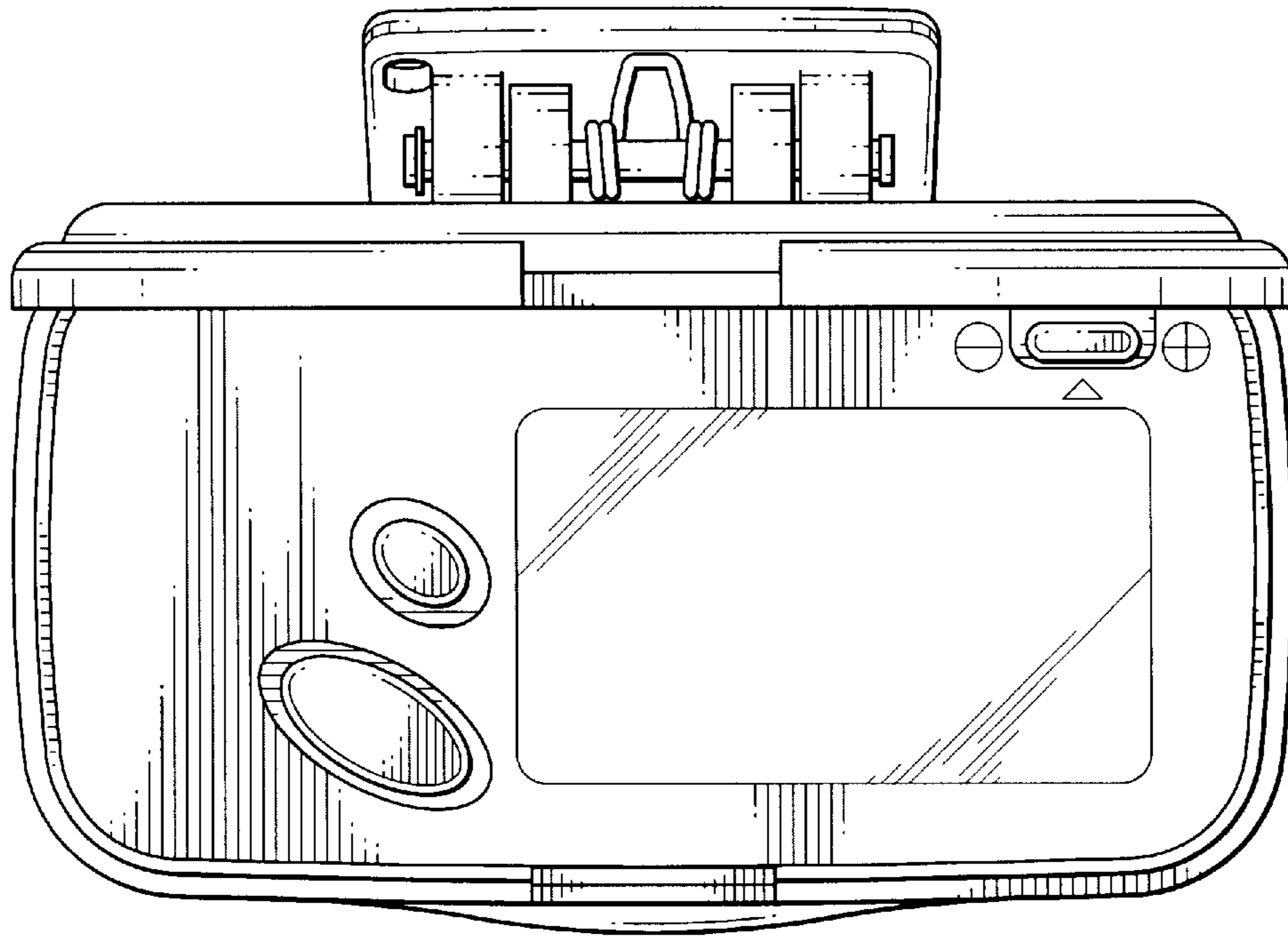


FIG. 10

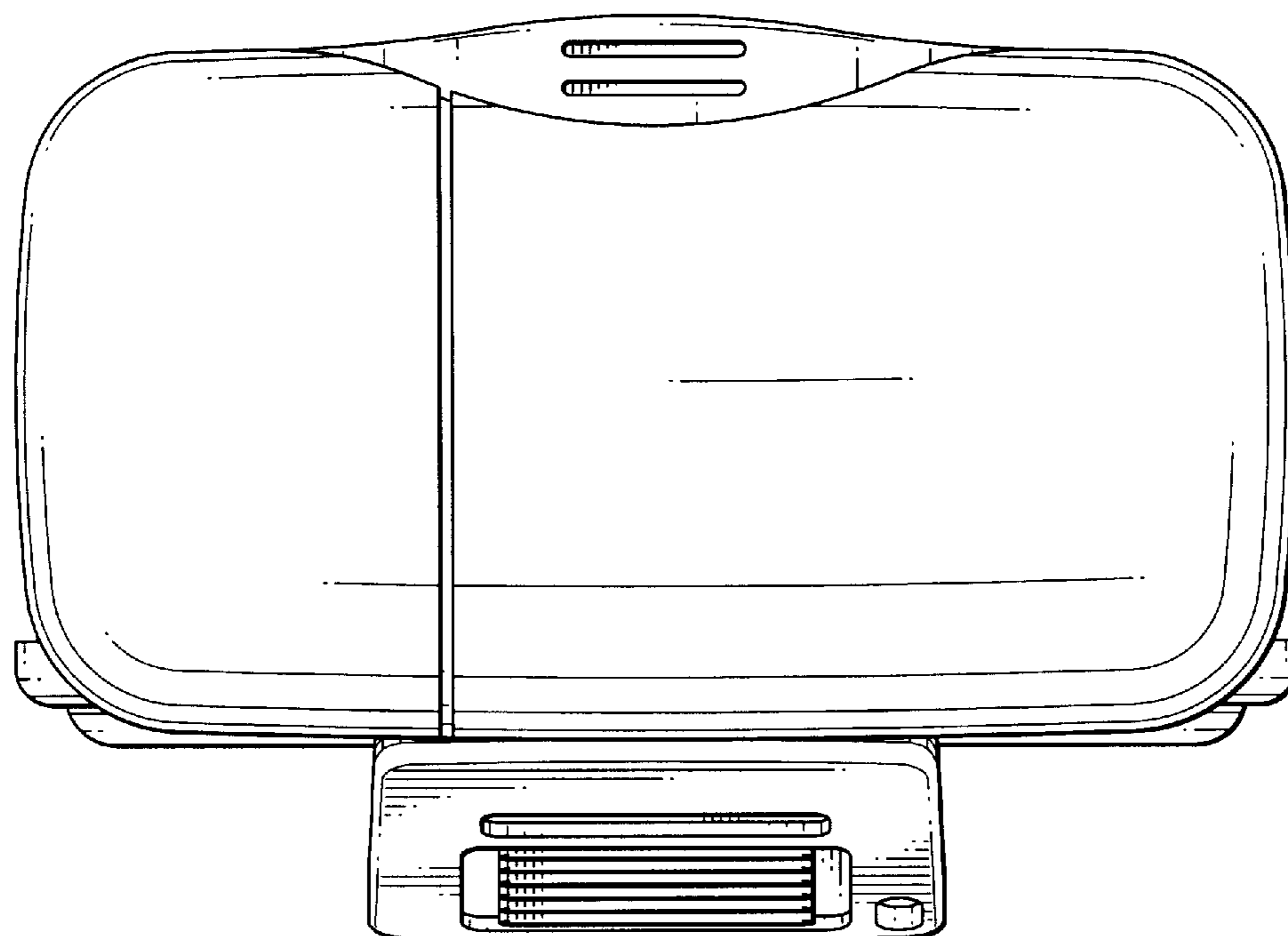


FIG. 11

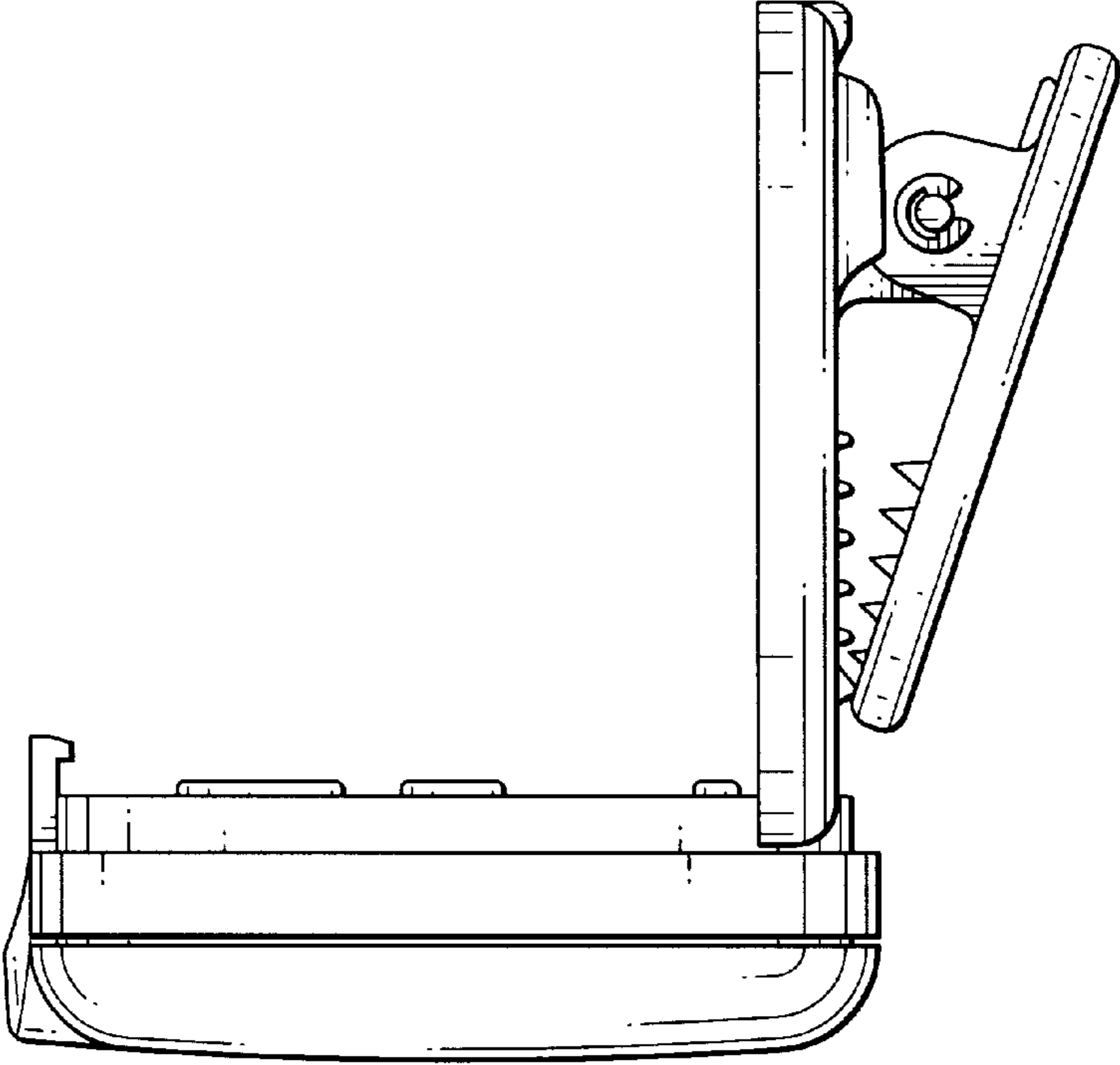


FIG. 12

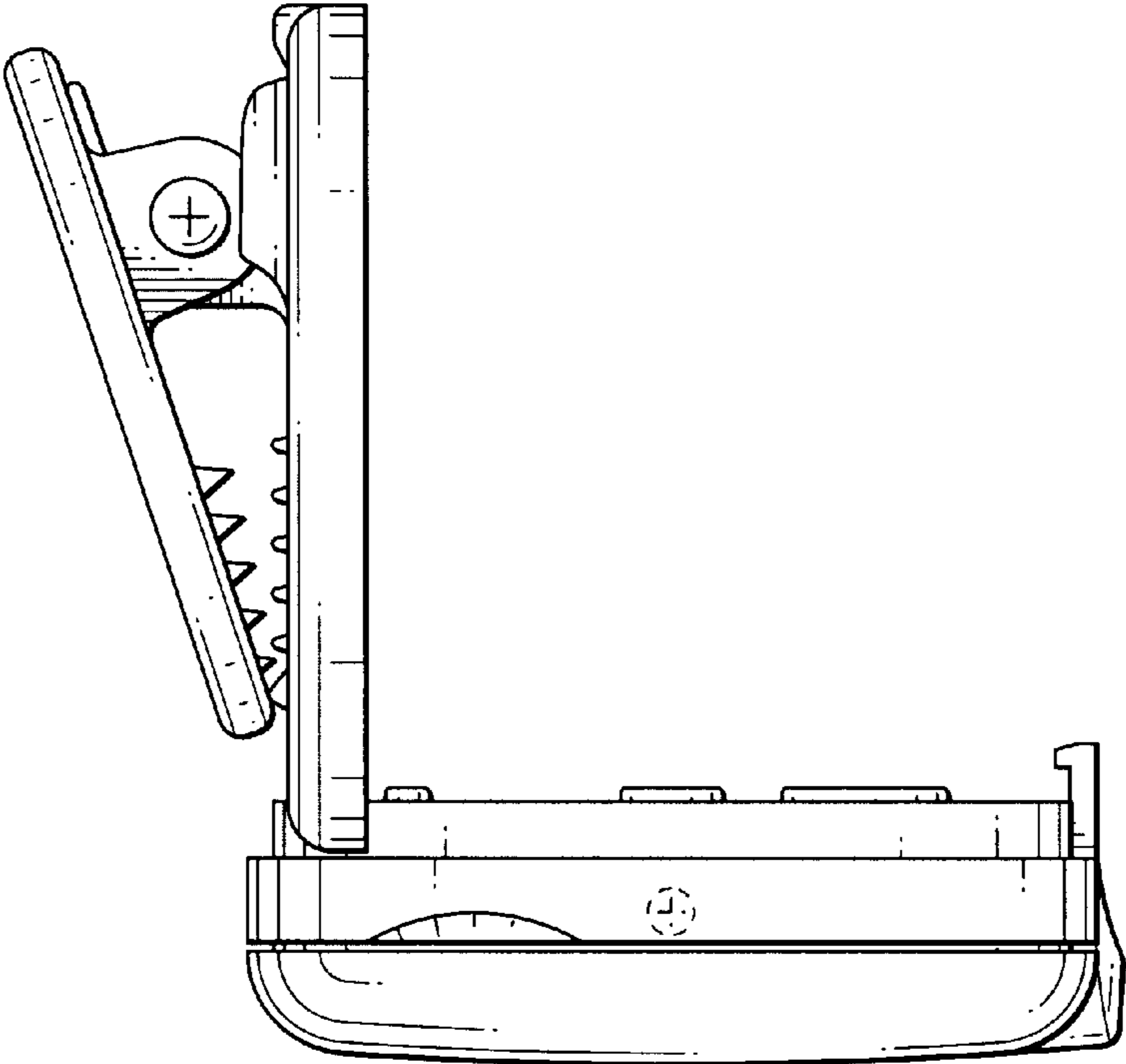


FIG. 13