

US00D504624S

(12) **United States Design Patent**
Bodino

(10) **Patent No.:** **US D504,624 S**

(45) **Date of Patent:** **** May 3, 2005**

(54) **WATCHCASE**

(75) **Inventor:** **Giampiero Bodino, Milan (IT)**

(73) **Assignee:** **Montblanc-Simplo GmbH, Hamburg (DE)**

(**) **Term:** **14 Years**

(21) **Appl. No.:** **29/188,601**

(22) **Filed:** **Aug. 21, 2003**

(30) **Foreign Application Priority Data**

Feb. 21, 2003 (WO) DM/063 086

(51) **LOC (7) Cl.** **10-02**

(52) **U.S. Cl.** **D10/39**

(58) **Field of Search** D10/1-40, 122-132,
D10/280-282; 368/276-277, 285, 316-317

(56) **References Cited**

U.S. PATENT DOCUMENTS

2,794,314 A * 6/1957 Slauch D10/39 X
D327,022 S * 6/1992 Bulgari D10/39
D333,988 S * 3/1993 Dumas D10/30

D390,788 S * 2/1998 Parmigiani D10/30
D447,063 S * 8/2001 Scheufele D10/30
D459,241 S * 6/2002 Bodino D10/32
D460,002 S * 7/2002 Wunderman D10/32
D467,820 S * 12/2002 Berliat D10/39
D473,473 S * 4/2003 Wunderman D10/32
D473,477 S * 4/2003 Roden D10/32

* cited by examiner

Primary Examiner—Nelson C. Holtje

(74) *Attorney, Agent, or Firm*—Young & Thompson

(57) **CLAIM**

The ornamental design for said watchcase, as shown and described.

DESCRIPTION

FIG. 1.1 is a perspective view of the watchcase.
FIG. 1.2 is a view from above of the watchcase.
FIG. 1.3 is a view from the bottom of the watchcase.
FIG. 1.4 is a right side view of FIG. 1.2
FIG. 1.5 is a left side view of FIG. 1.2
FIG. 1.6 is a bottom view of FIG. 1.2; and,
FIG. 1.7 is above view of FIG. 1.2.

1 Claim, 1 Drawing Sheet

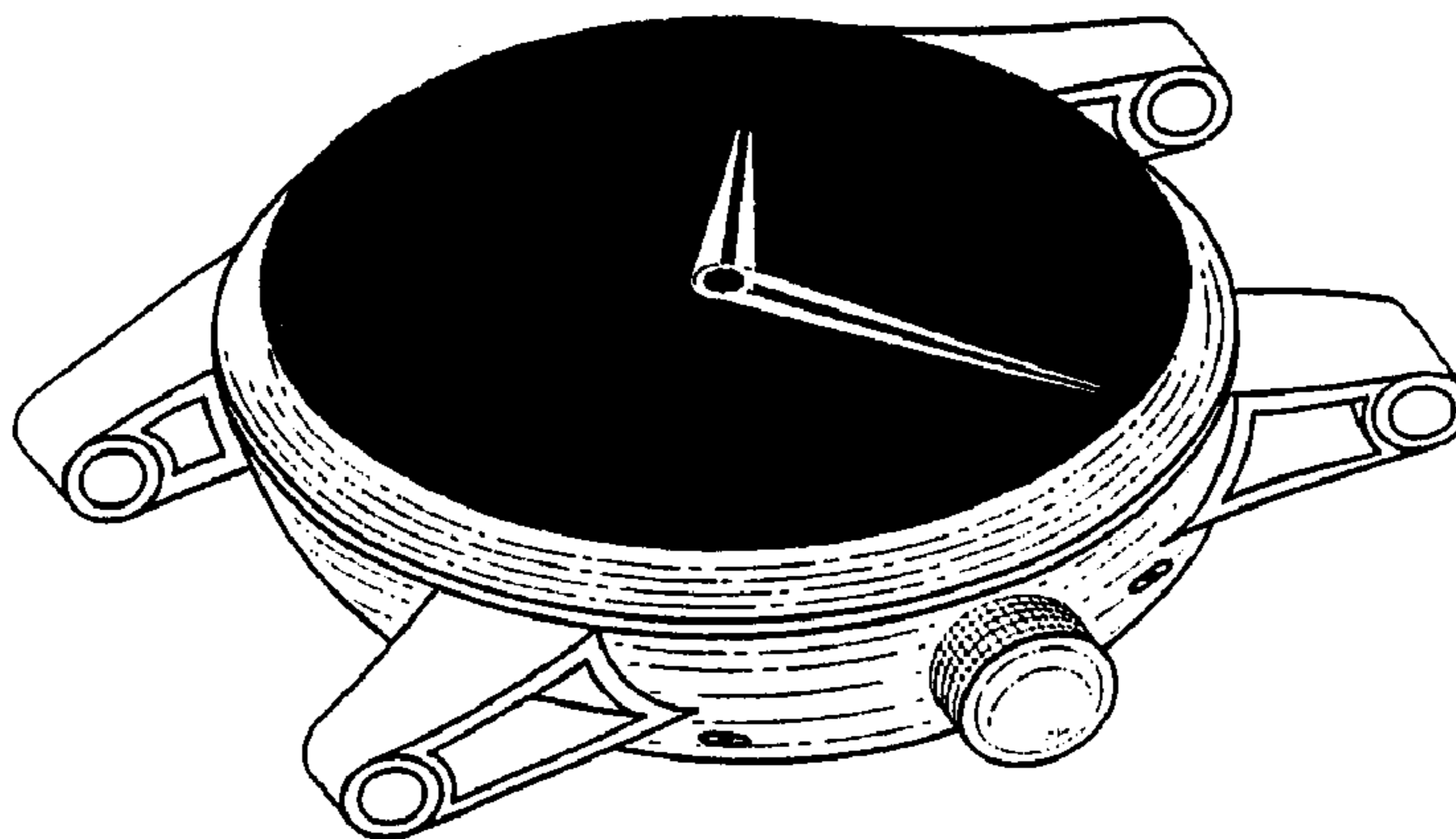


Fig. 1

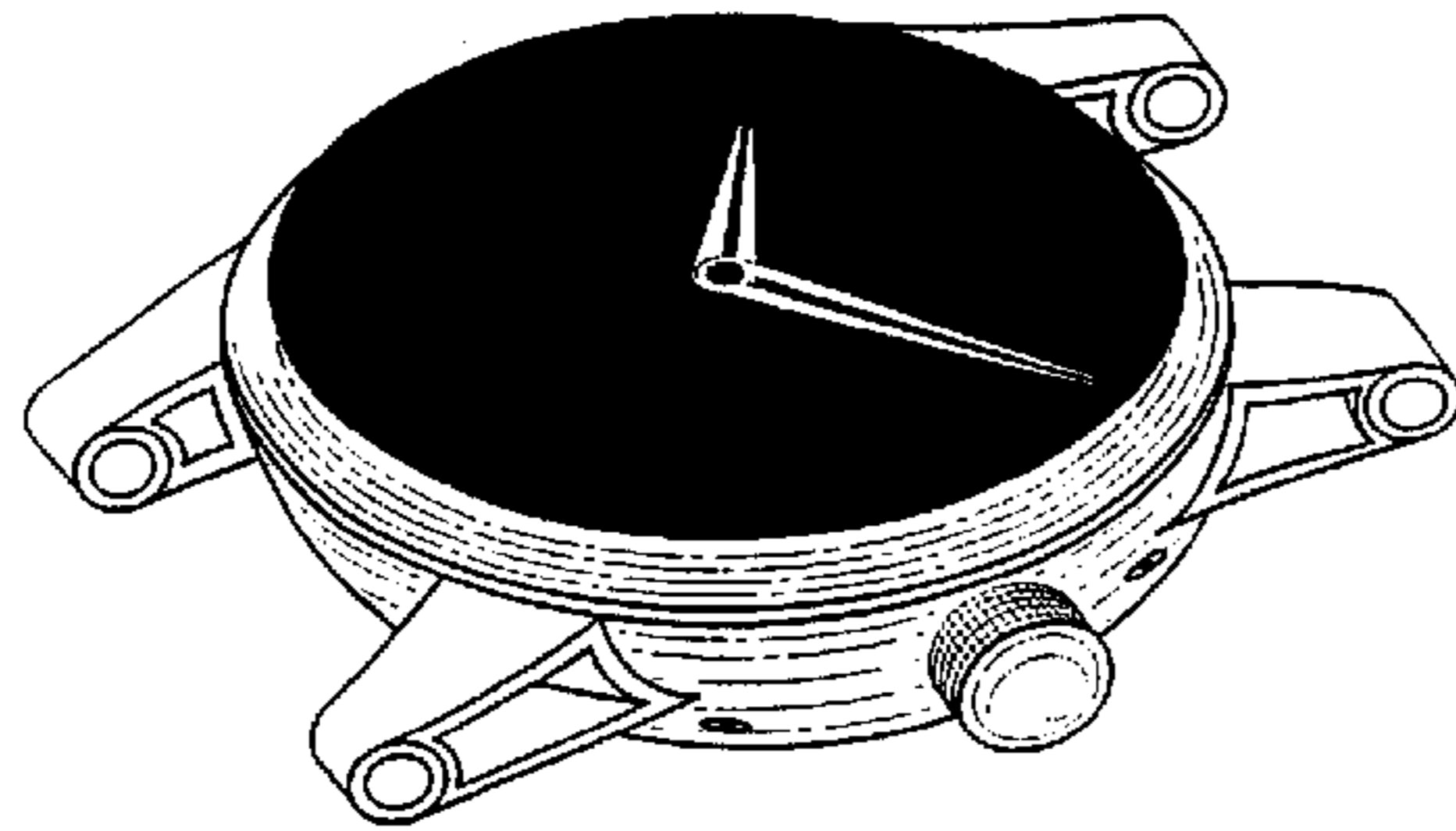


Fig. 2

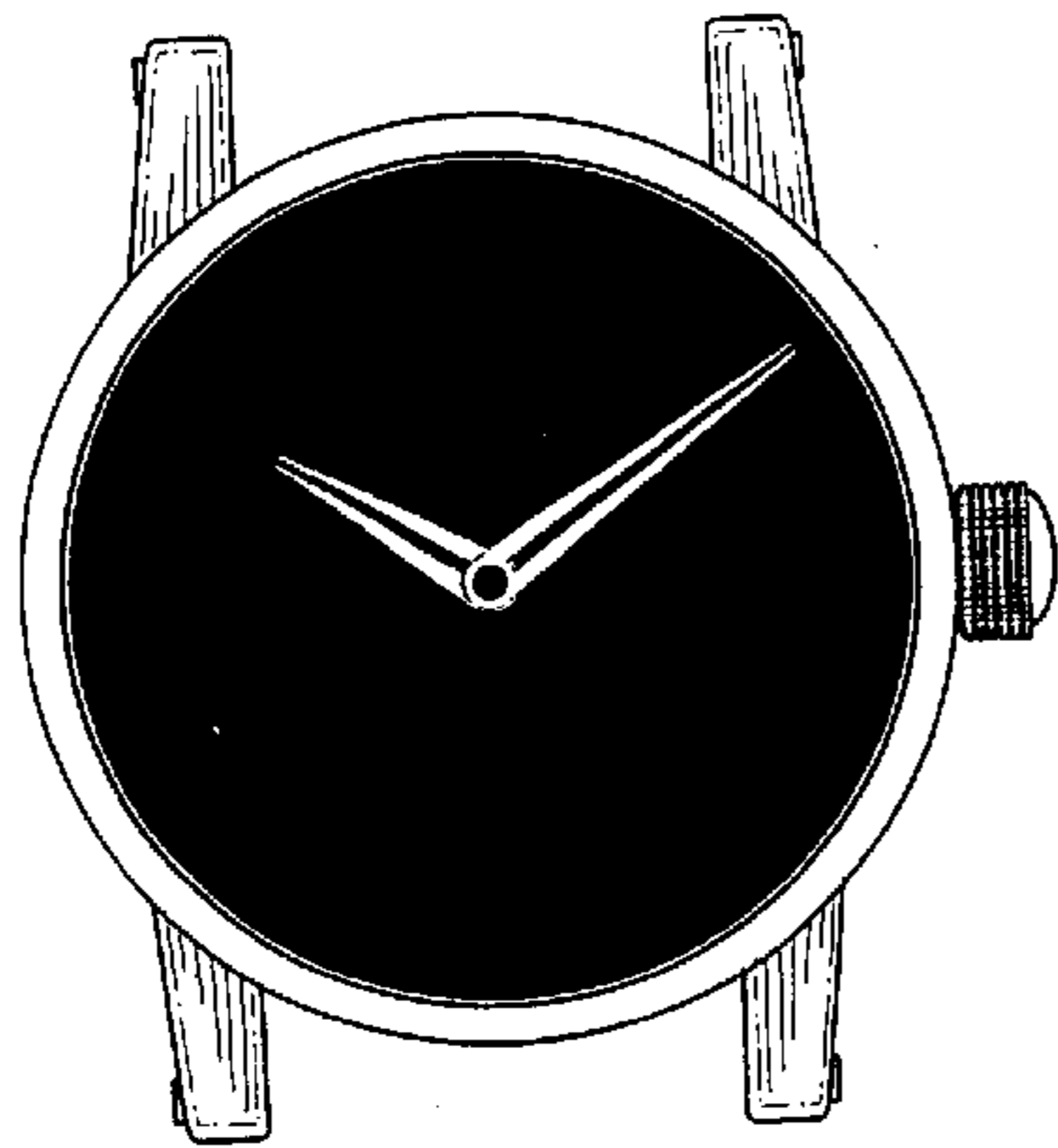


Fig. 3

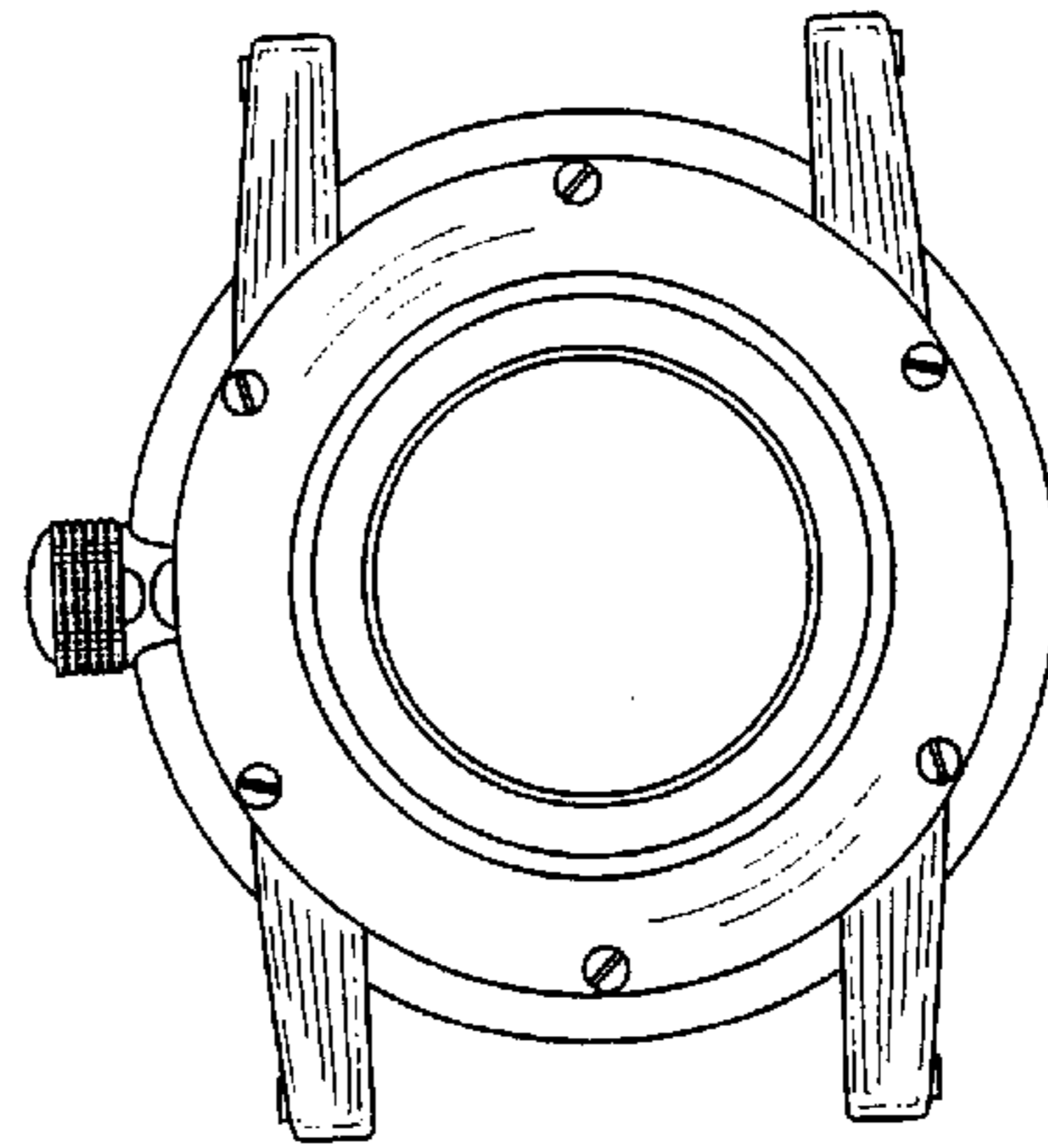


Fig. 4

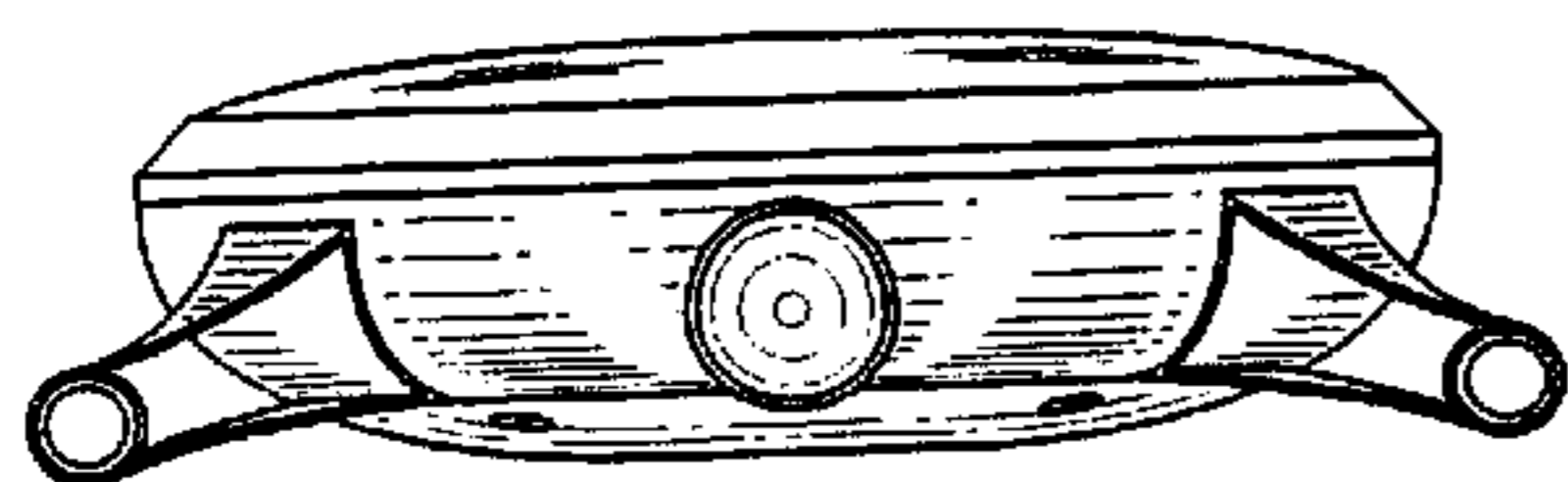


Fig. 5

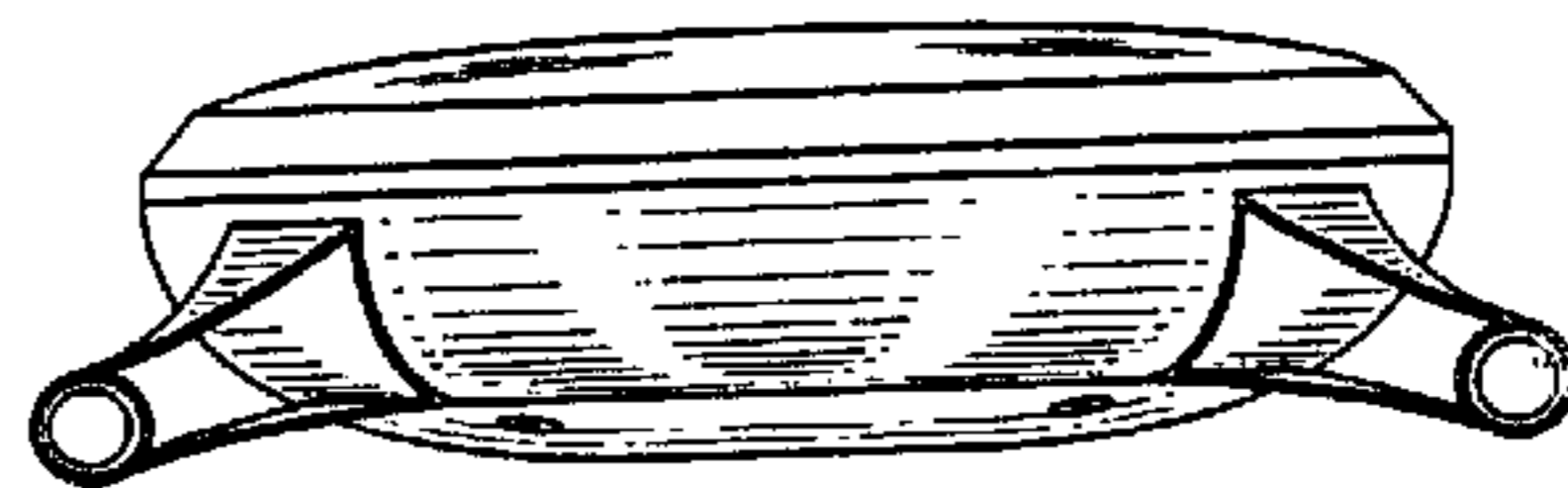


Fig. 6



Fig. 7

