

US00D504609S

(12) **United States Design Patent** (10) **Patent No.:** **US D504,609 S**
Ferguson (45) **Date of Patent:** **** May 3, 2005**

(54) **PIVOTING CURTAIN ROD SUPPORT**

(76) Inventor: **Martin L. Ferguson**, 4811 Lawndale St., NW., Canton, OH (US) 44708

(**) Term: **14 Years**

(21) Appl. No.: **29/201,632**

(22) Filed: **Mar. 17, 2004**

(51) **LOC (7) Cl.** **08-05**

(52) **U.S. Cl.** **D8/380; D8/354; D8/363**

(58) **Field of Search** **D8/354, 363, 380, D8/349; D6/580; 248/262, 263, 265, 300**

(56) **References Cited**

U.S. PATENT DOCUMENTS

1,109,860 A	9/1914	Molyneu	
1,398,411 A	11/1921	Akers	
1,435,110 A	* 11/1922	Efford	211/96
2,005,196 A	6/1935	Mears	
2,243,724 A	5/1941	Whitehead et al.	
2,296,323 A	9/1942	Allen	
2,380,665 A	7/1945	Morris	
2,531,822 A	11/1950	Moeller	
2,766,892 A	10/1956	Graber	
4,767,013 A	8/1988	Bertelli	
D297,502 S	* 9/1988	Archambeau	D8/71
D371,505 S	* 7/1996	Young	D8/349
D394,357 S	* 5/1998	Mulder	D8/363
5,794,281 A	8/1998	Shearon	
6,101,675 A	8/2000	Goldstein	
D485,160 S	* 1/2004	Pelc	D8/382

* cited by examiner

Primary Examiner—Holly Baynham

(74) *Attorney, Agent, or Firm*—Zollinger & Burleson Ltd

(57) **CLAIM**

The ornamental design for the pivoting curtain rod support, as shown and described.

DESCRIPTION

FIG. 1 is a front perspective view of a first embodiment of the pivoting curtain rod support.

FIG. 2 is a rear perspective view of a first embodiment of the pivoting curtain rod support.

FIG. 3 is a front elevation view of FIG. 1.

FIG. 4 is a rear elevation view of FIG. 1.

FIG. 5 is a left side elevation view of FIG. 1.

FIG. 6 is a right side elevation view of FIG. 1.

FIG. 7 is a top plan view of FIG. 1.

FIG. 8 is a bottom plan view of FIG. 1.

FIG. 9 is a front perspective view of a second embodiment of the pivoting curtain rod support.

FIG. 10 is a rear perspective view of a second embodiment of the pivoting curtain rod support.

FIG. 11 is a front elevation view of FIG. 9.

FIG. 12 is a rear elevation view of FIG. 9.

FIG. 13 is a left side elevation view of FIG. 9.

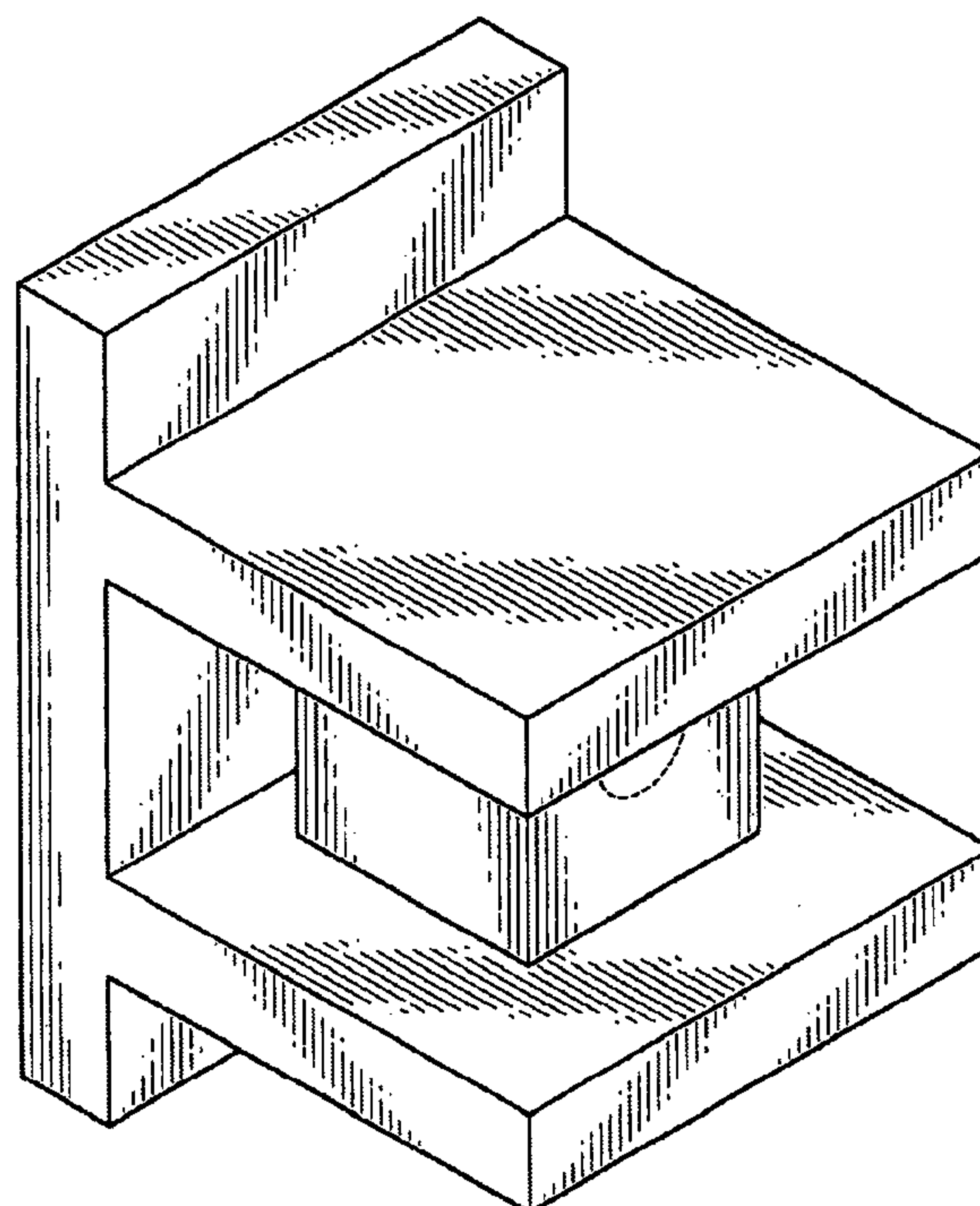
FIG. 14 is a right side elevation view of FIG. 9.

FIG. 15 is a top plan view of FIG. 9.

FIG. 16 is a section view taken along line 16—16 of FIG. 11 showing the top elevation of the rod support block; and, FIG. 17 is a bottom plan view of FIG. 9.

The broken line showing of the opening for a curtain rod is for illustrative purposes only and forms no part of the claimed design.

1 Claim, 10 Drawing Sheets



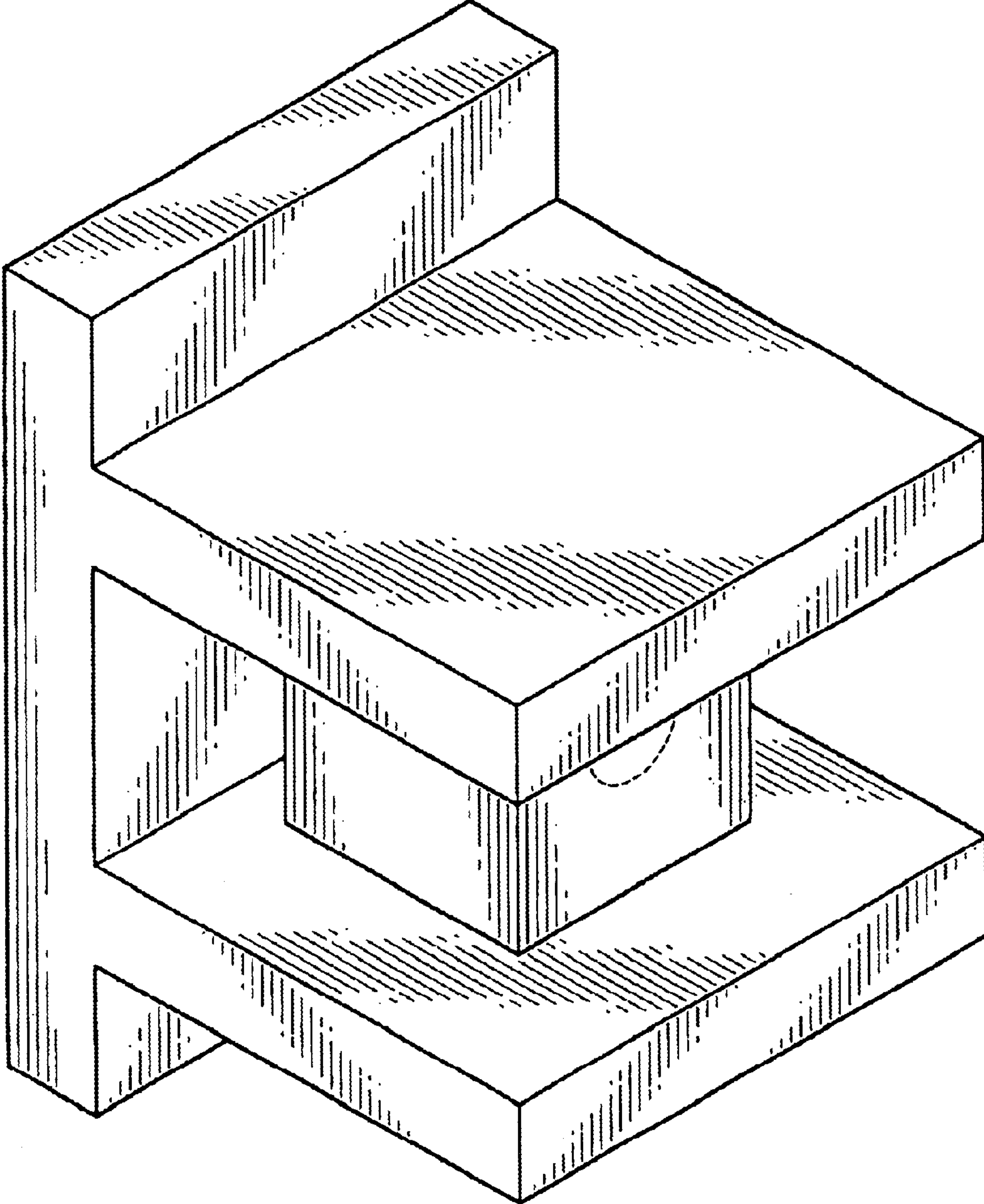


FIG-1

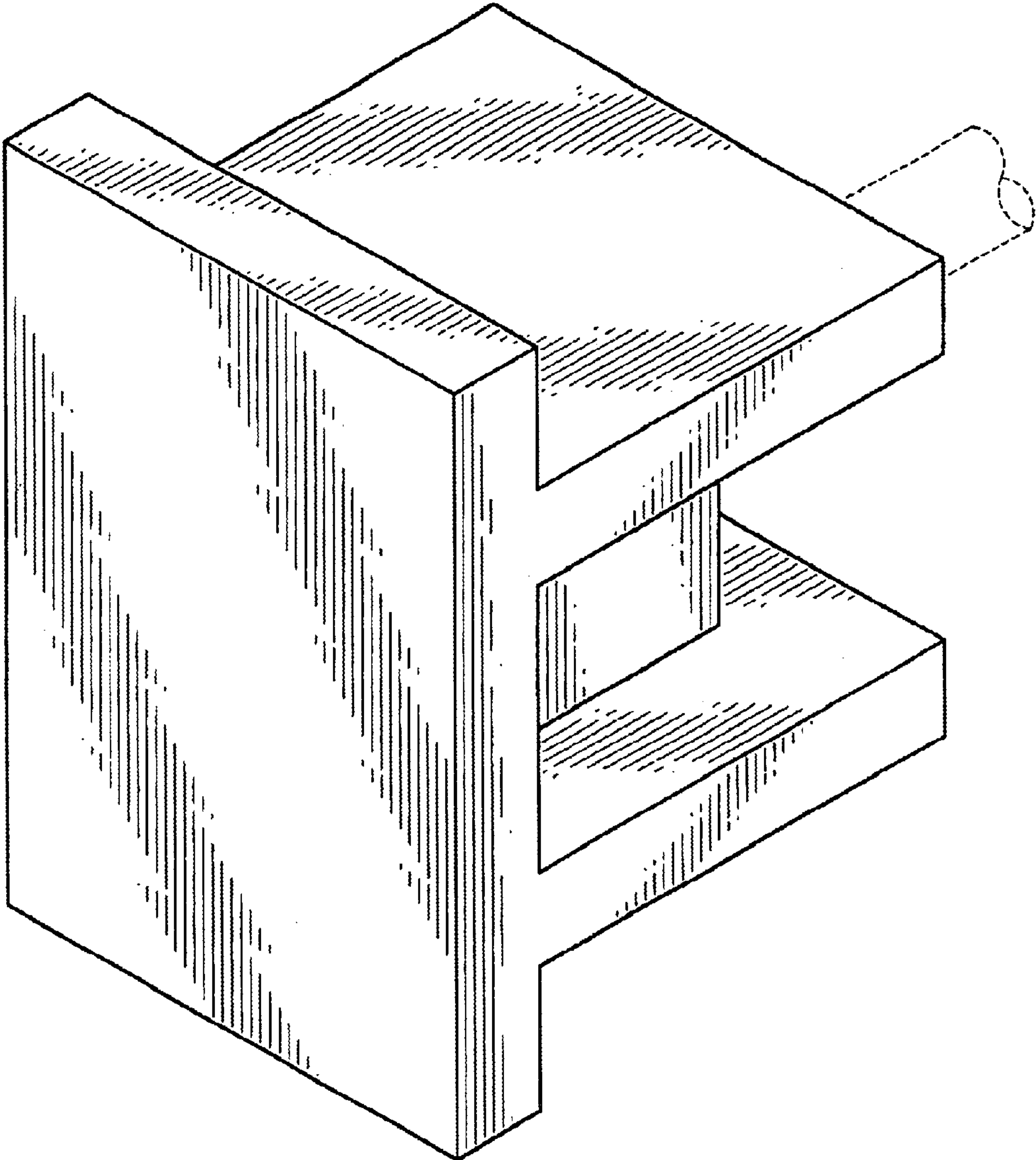


FIG-2

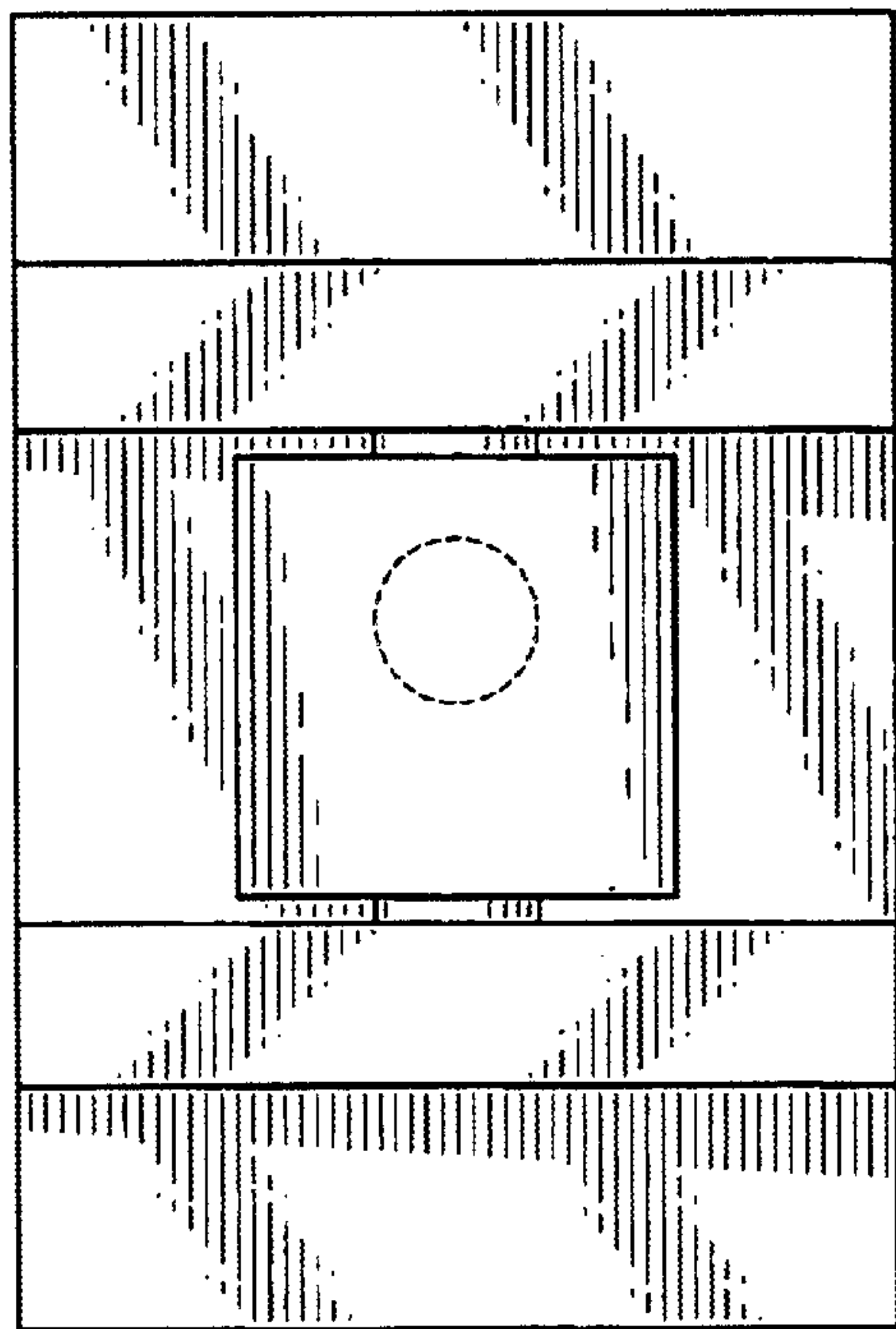


FIG-3

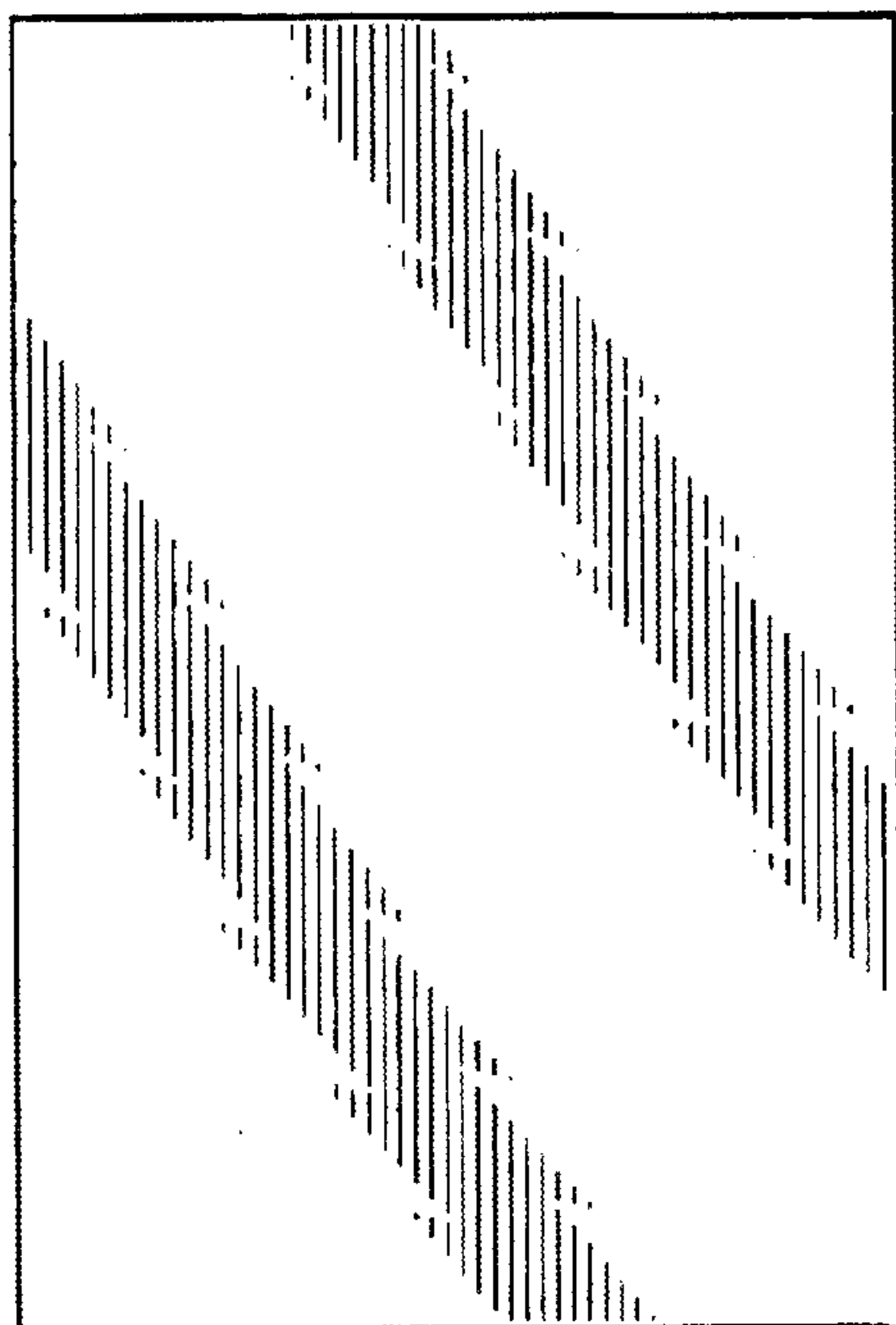
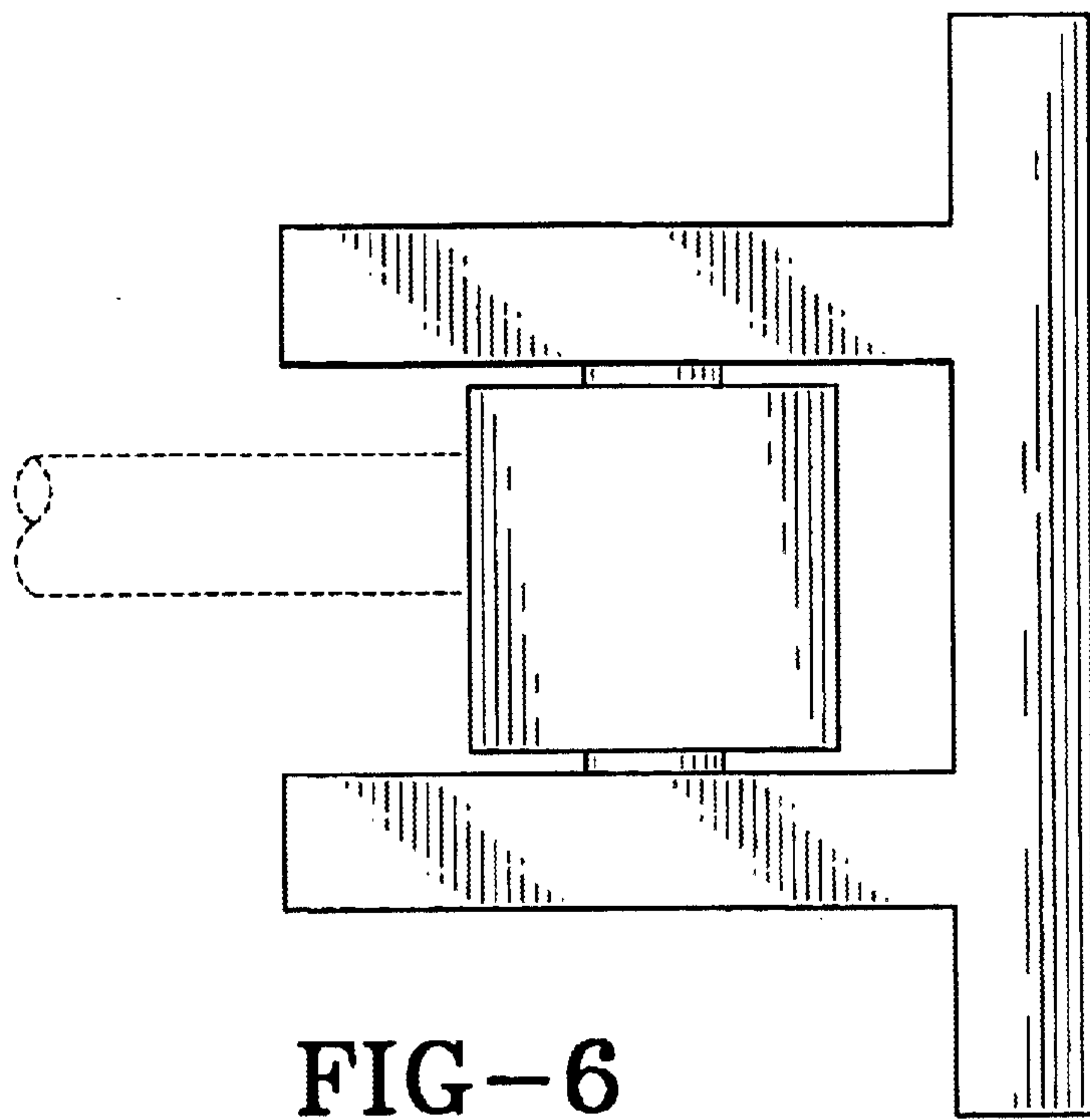
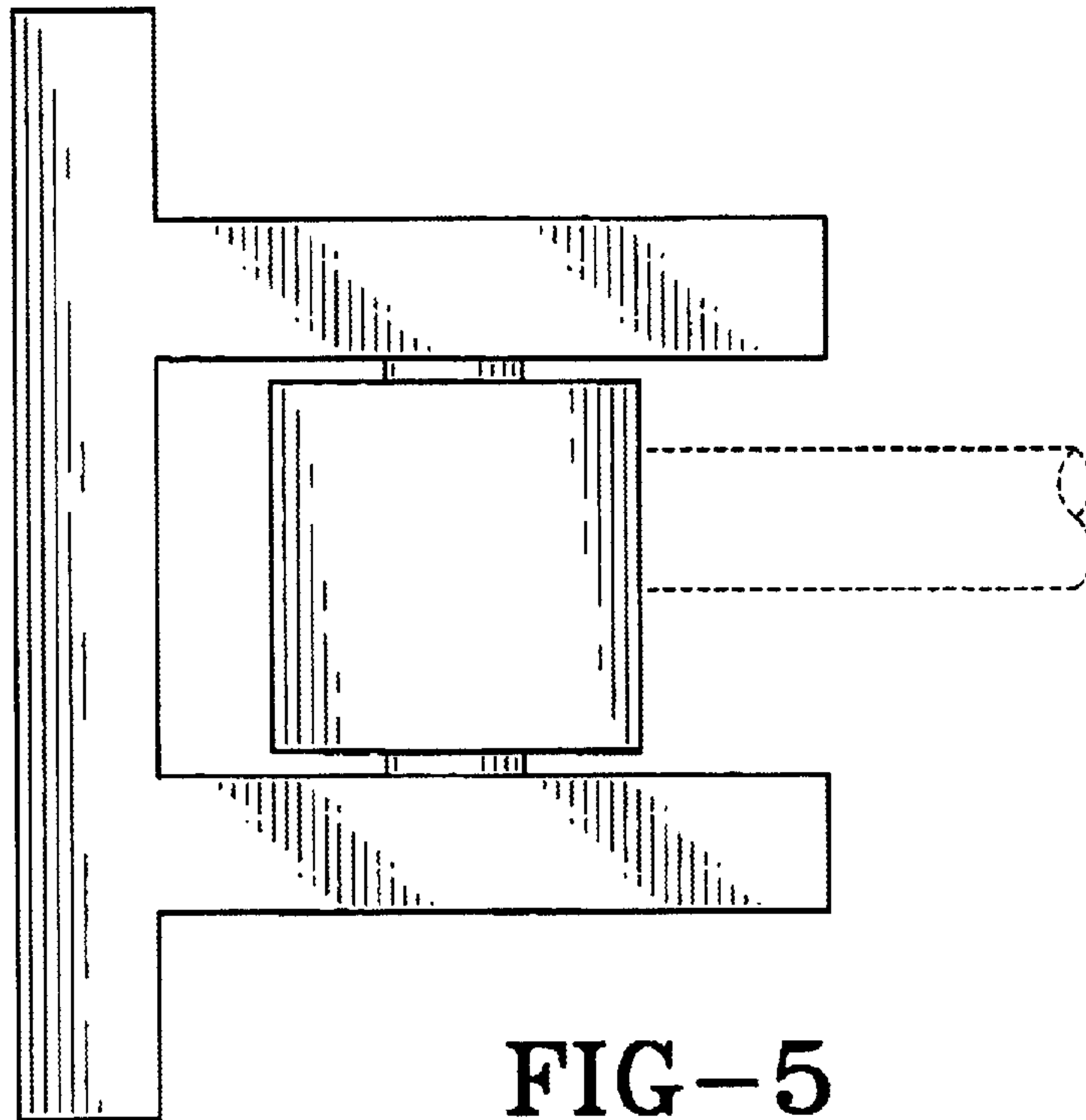


FIG-4



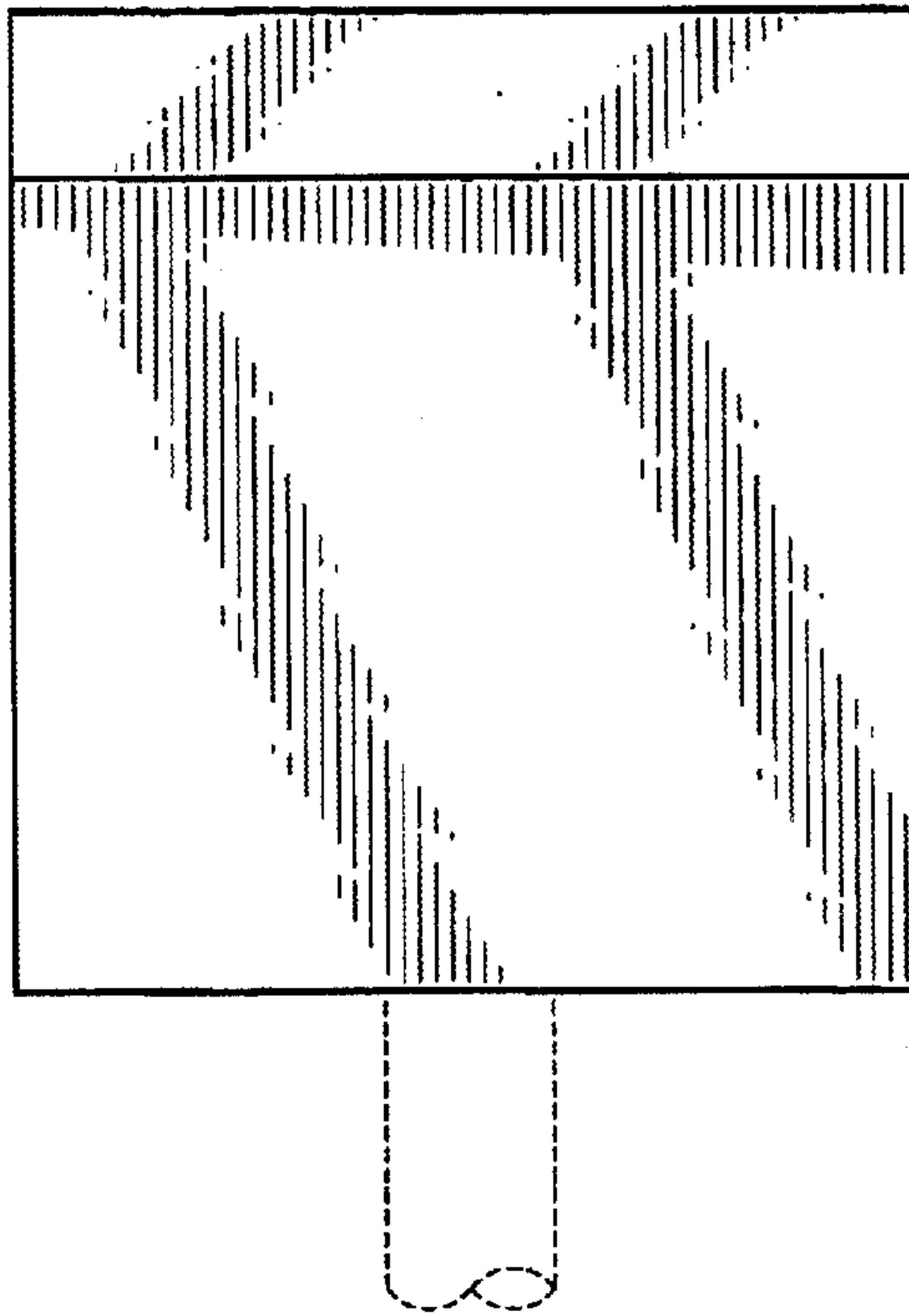


FIG-7

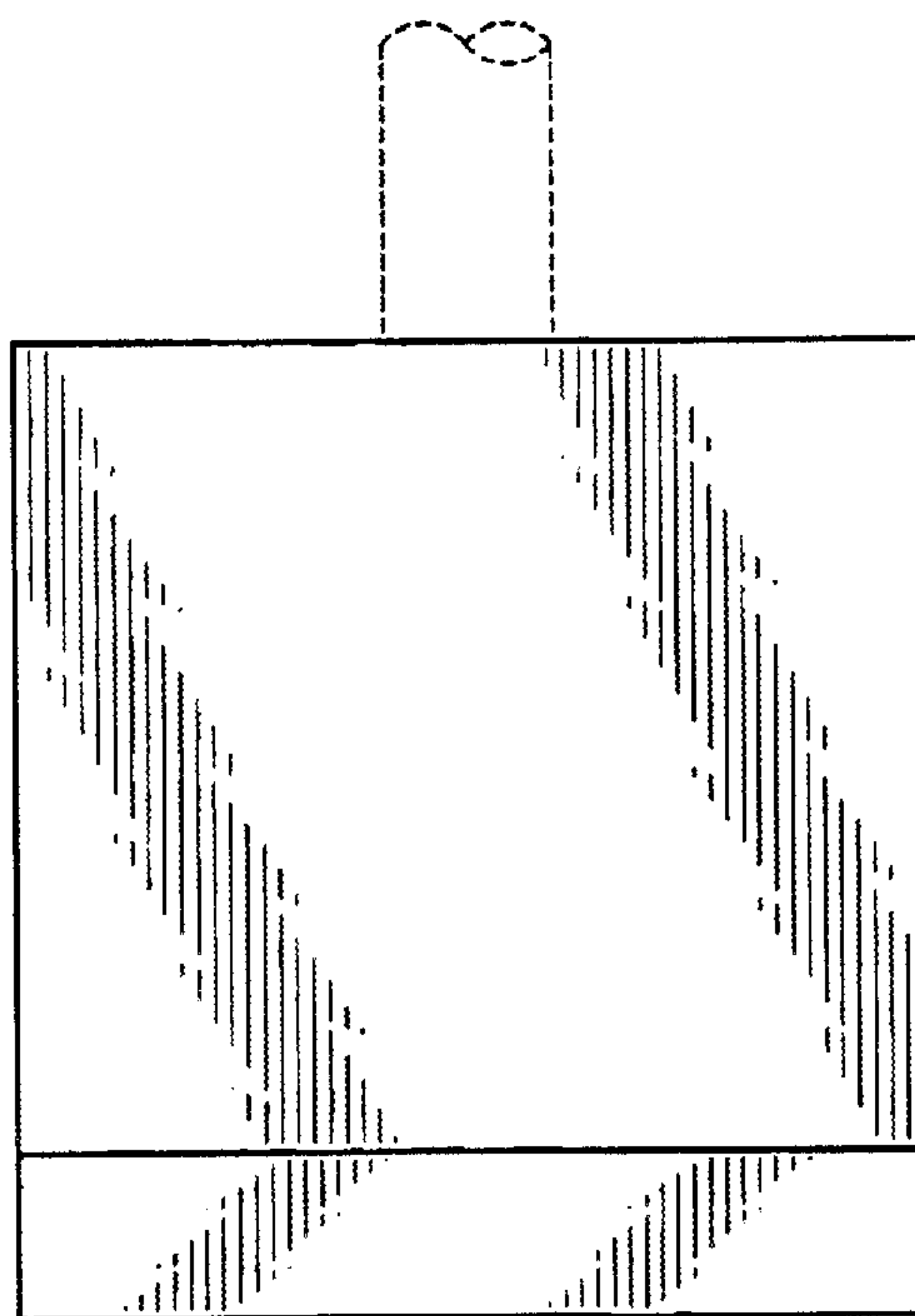


FIG-8

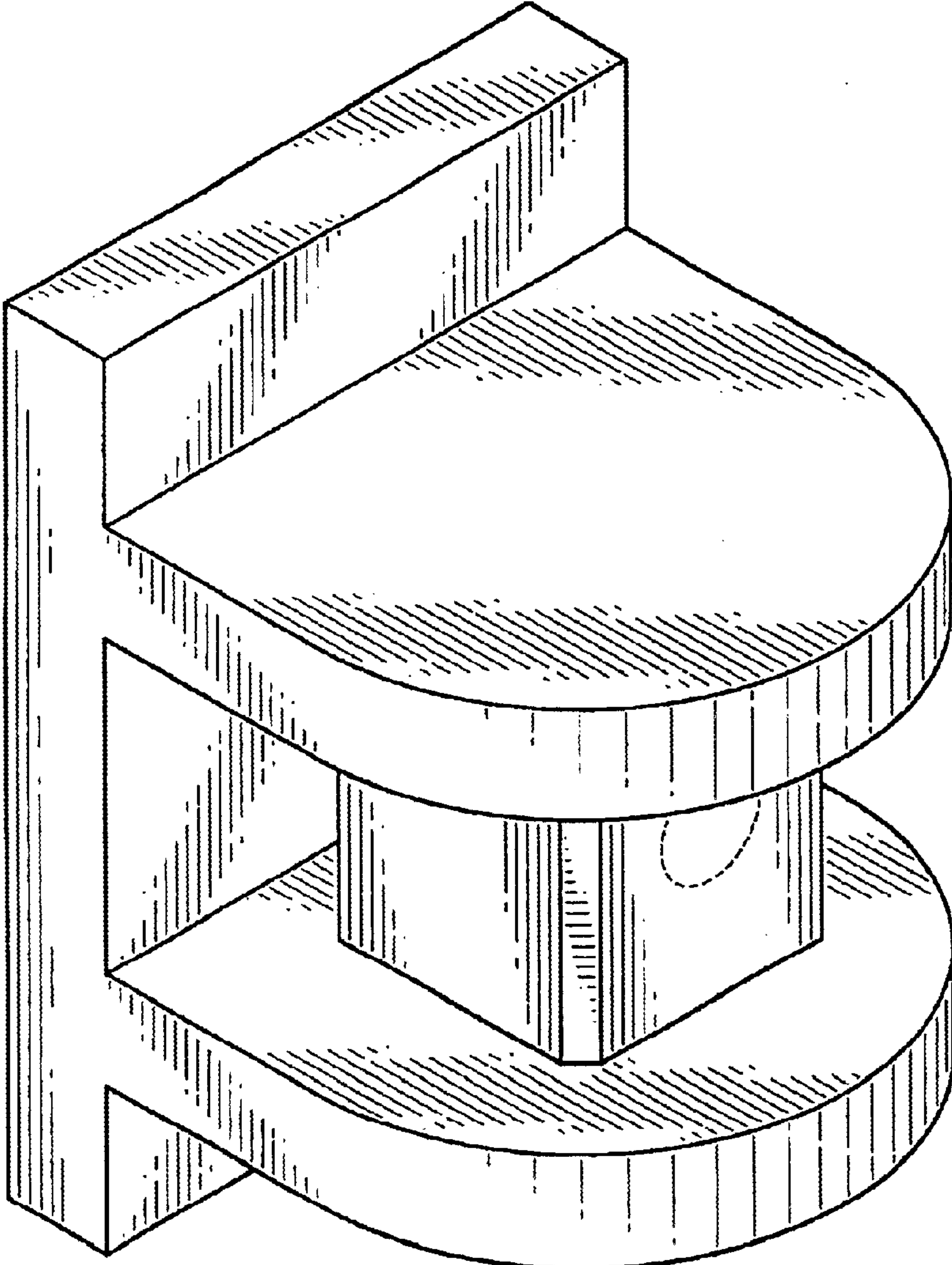


FIG-9

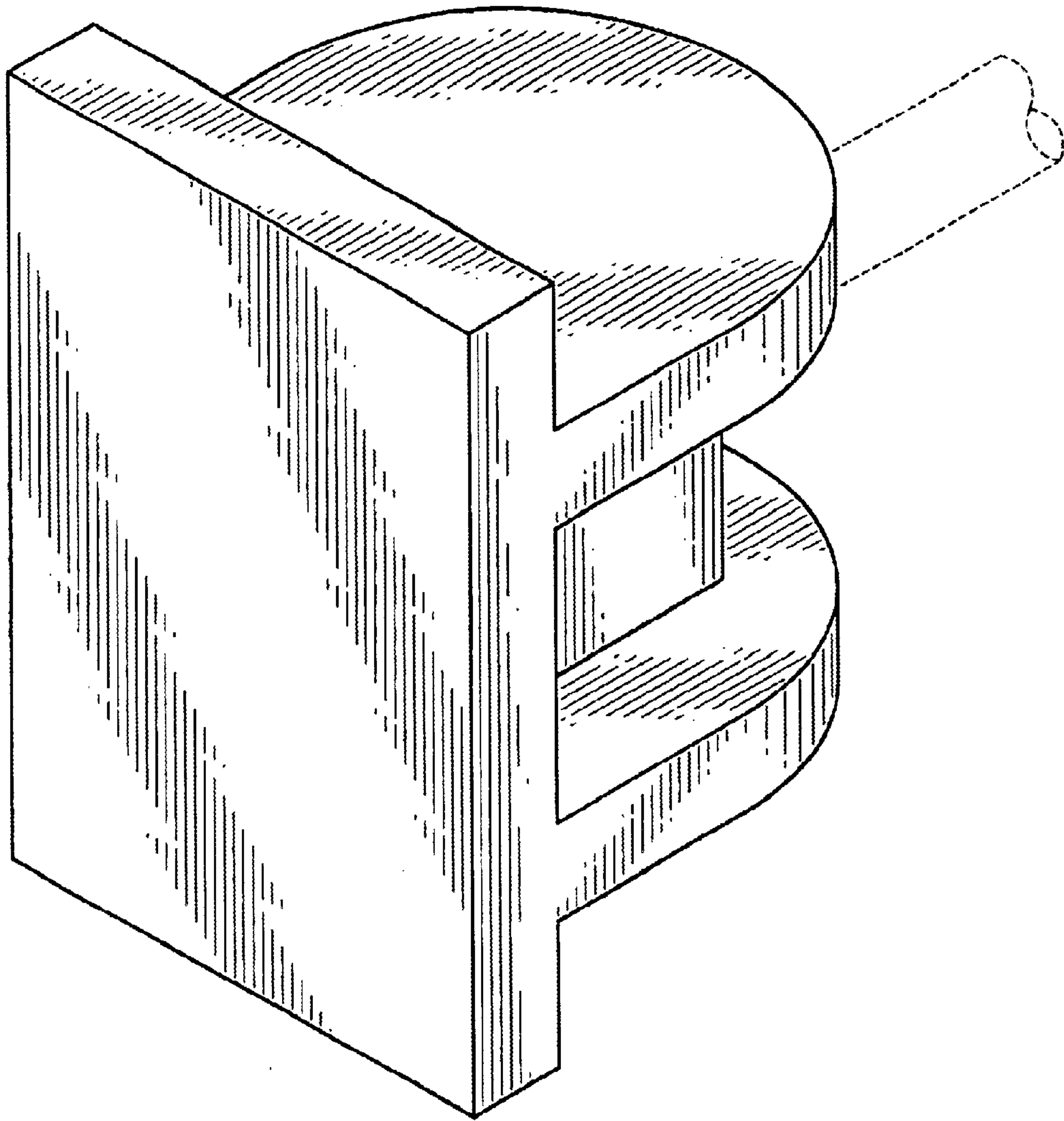


FIG-10

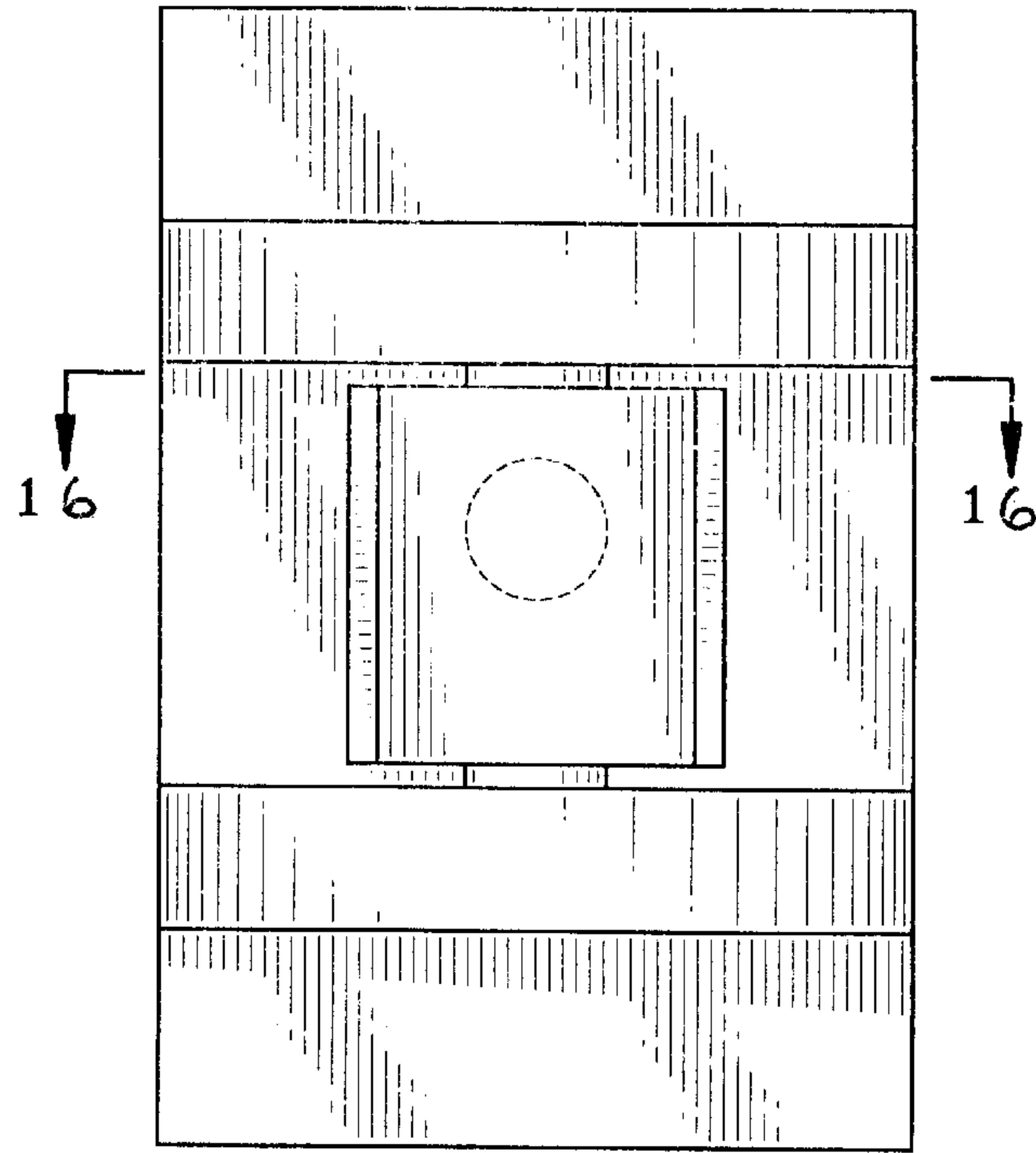


FIG-11

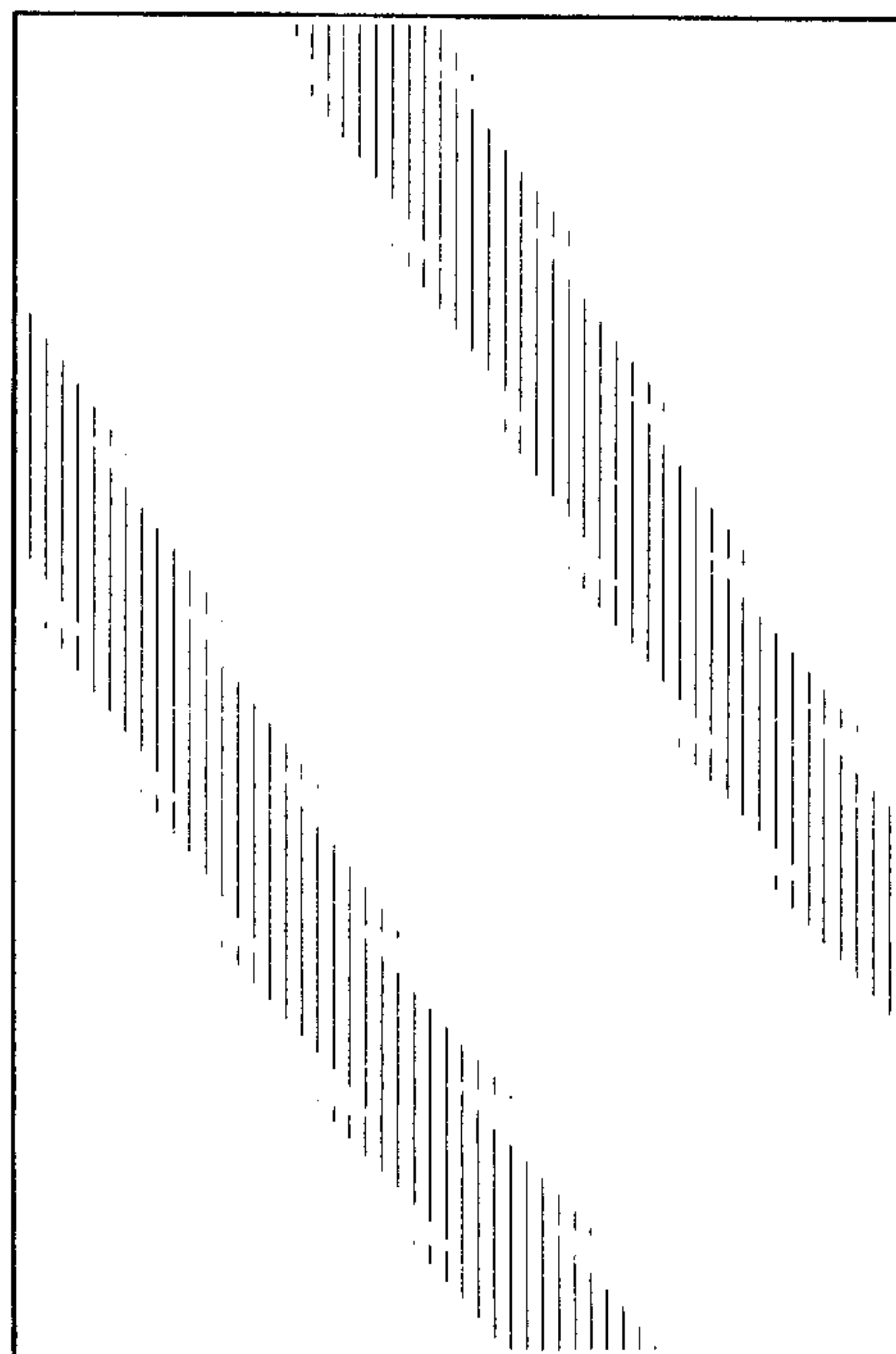
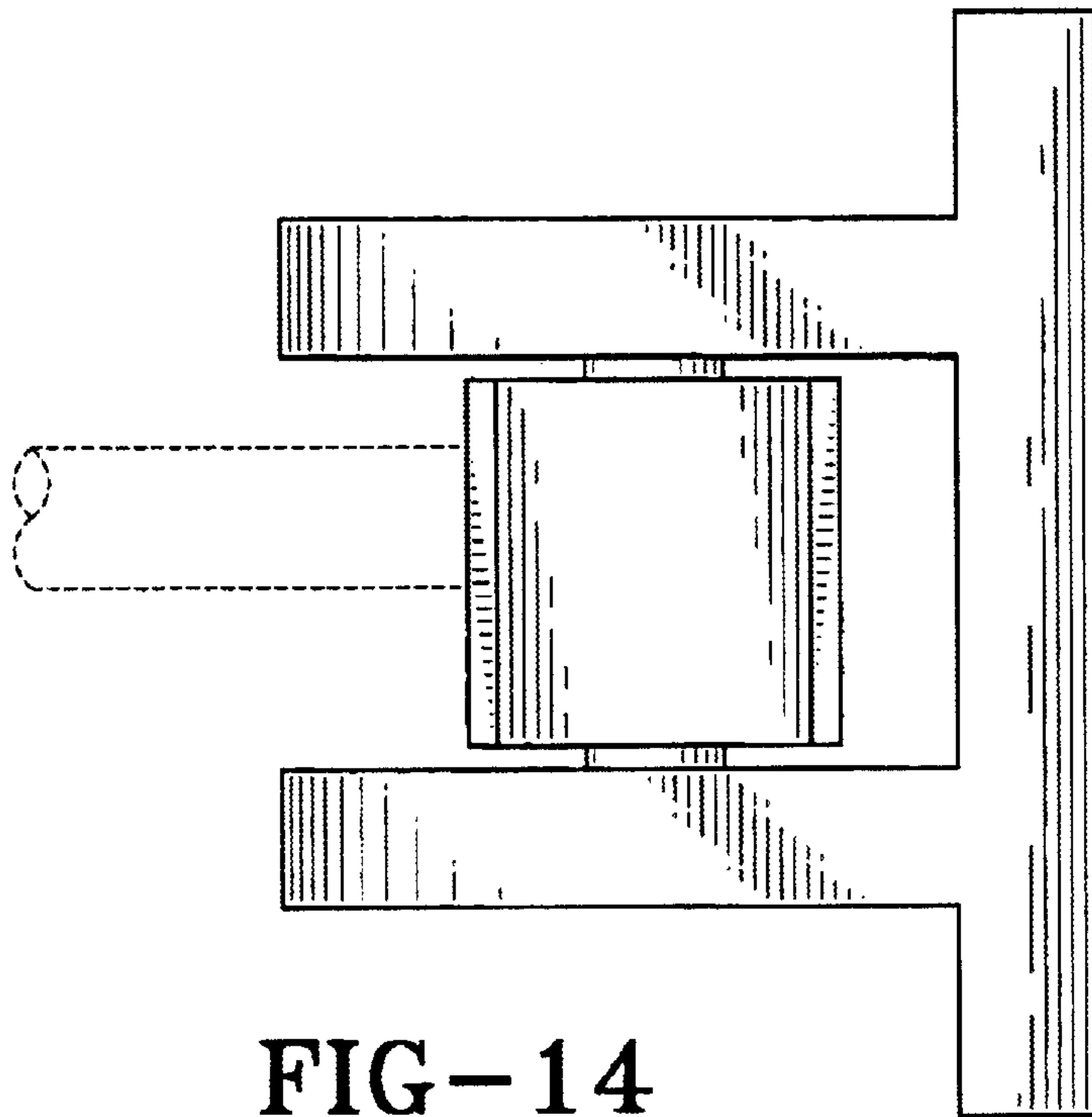
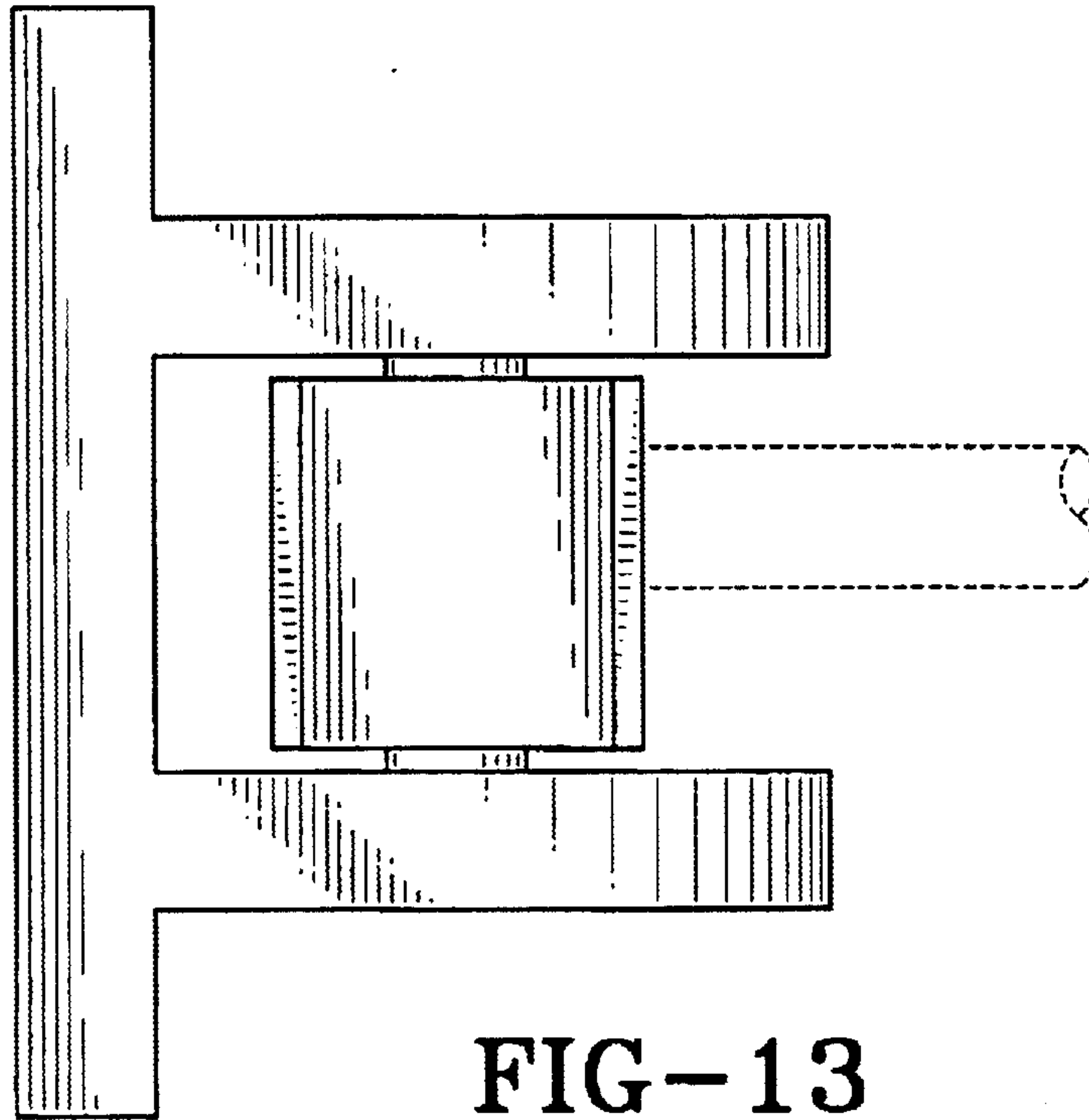


FIG-12



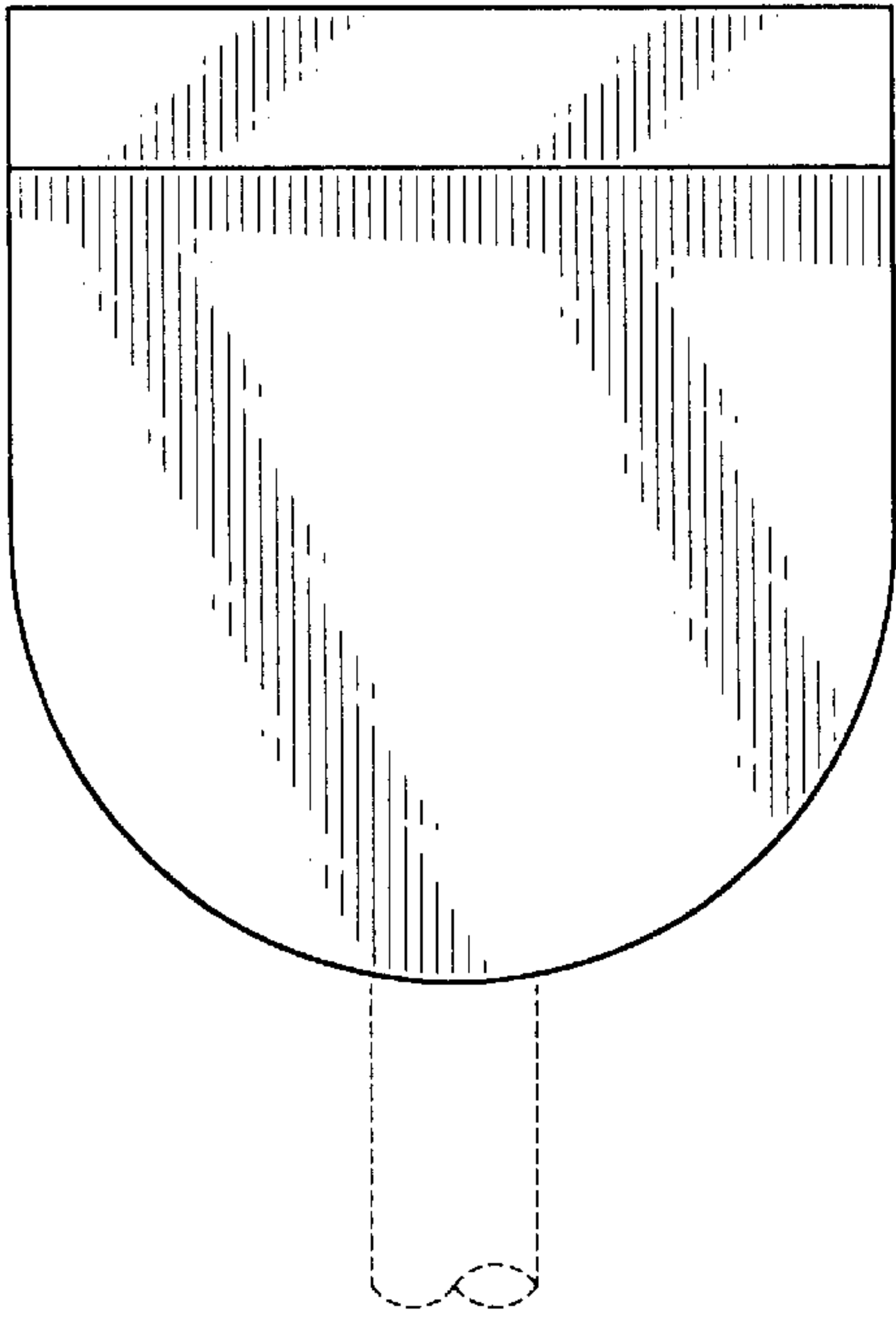


FIG-15

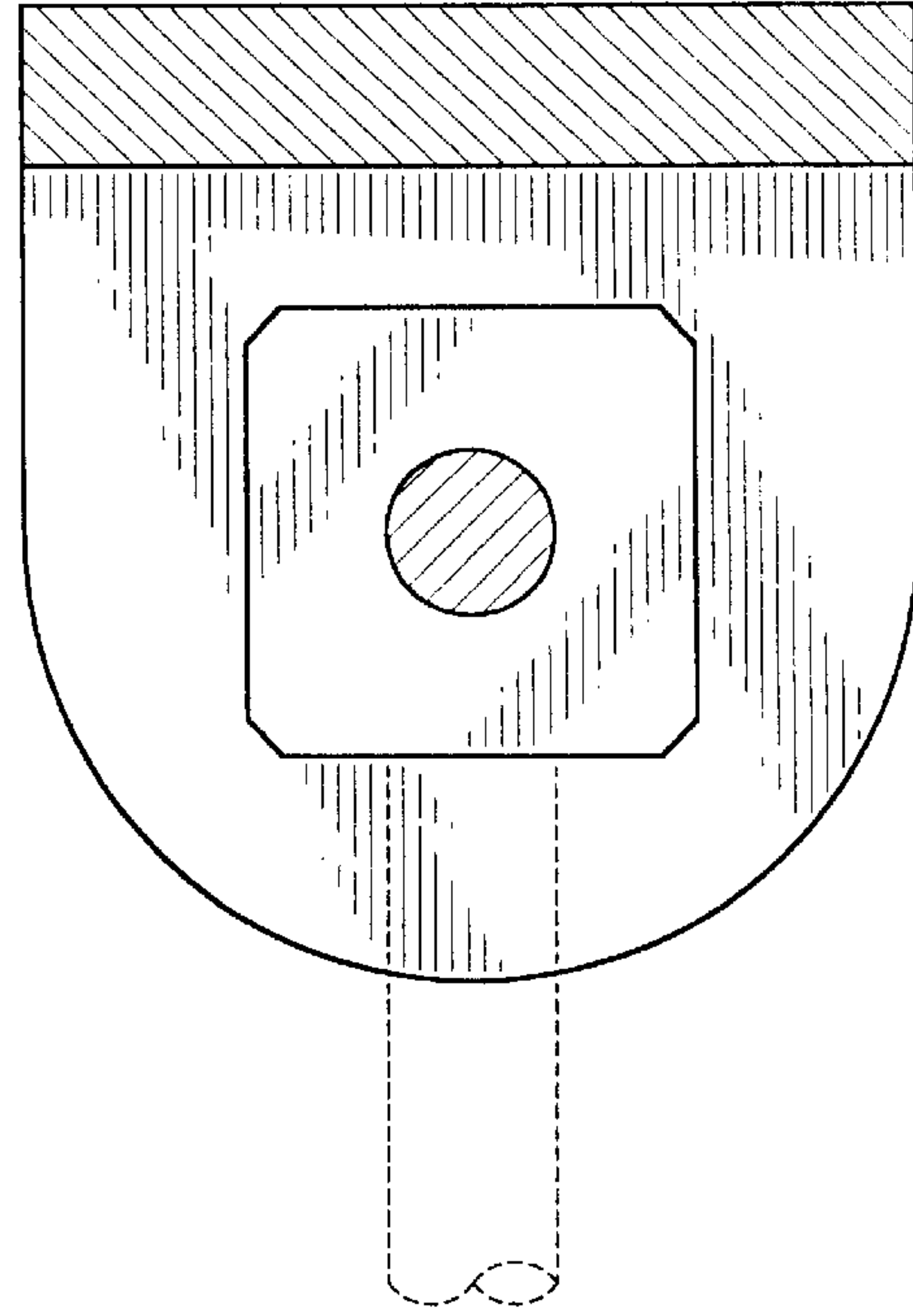


FIG-16

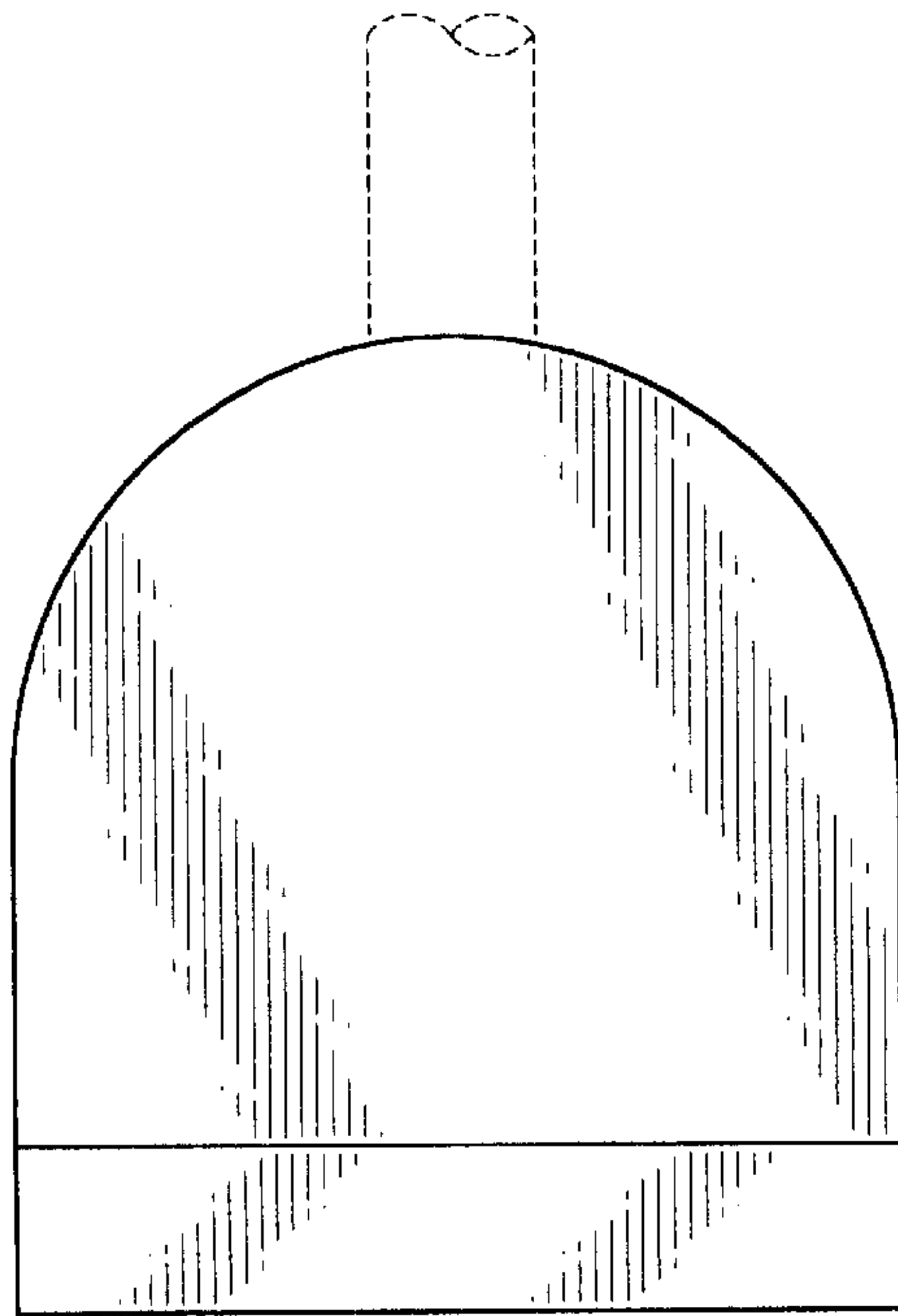


FIG-17