

US00D504607S

(12) **United States Design Patent**
Alfaro

(10) **Patent No.:** **US D504,607 S**

(45) **Date of Patent:** **** May 3, 2005**

(54) **HOOK MOUNT FOR A HELMET**

(76) **Inventor:** **Samuel Alfaro**, 1307 N. Monterey St.,
Anaheim, CA (US) 92801

(**) **Term:** **14 Years**

(21) **Appl. No.:** **29/209,118**

(22) **Filed:** **Jul. 12, 2004**

(51) **LOC (7) Cl.** **08-05**

(52) **U.S. Cl.** **D8/367; D8/363**

(58) **Field of Search** **D8/367, 363, 373;**
D6/323, 553; 248/301, 304, 217.3, 339,
214-215

(56) **References Cited**

U.S. PATENT DOCUMENTS

D463,730 S * 10/2002 Snell D8/367
D479,794 S * 9/2003 Snell D8/367

* cited by examiner

Primary Examiner—Holly Baynham

(74) *Attorney, Agent, or Firm*—Morland C. Fischer

(57) **CLAIM**

The ornamental design for a hook mount for a helmet, as shown and described.

DESCRIPTION

FIG. 1 is a perspective view showing the top, left side and front of a hook mount for a helmet which form my new design, the broken lines showing a helmet being for illustrative purposes only and forming no part of my design;

FIG. 2 is a top plan view thereof;

FIG. 3 is a bottom plan view thereof;

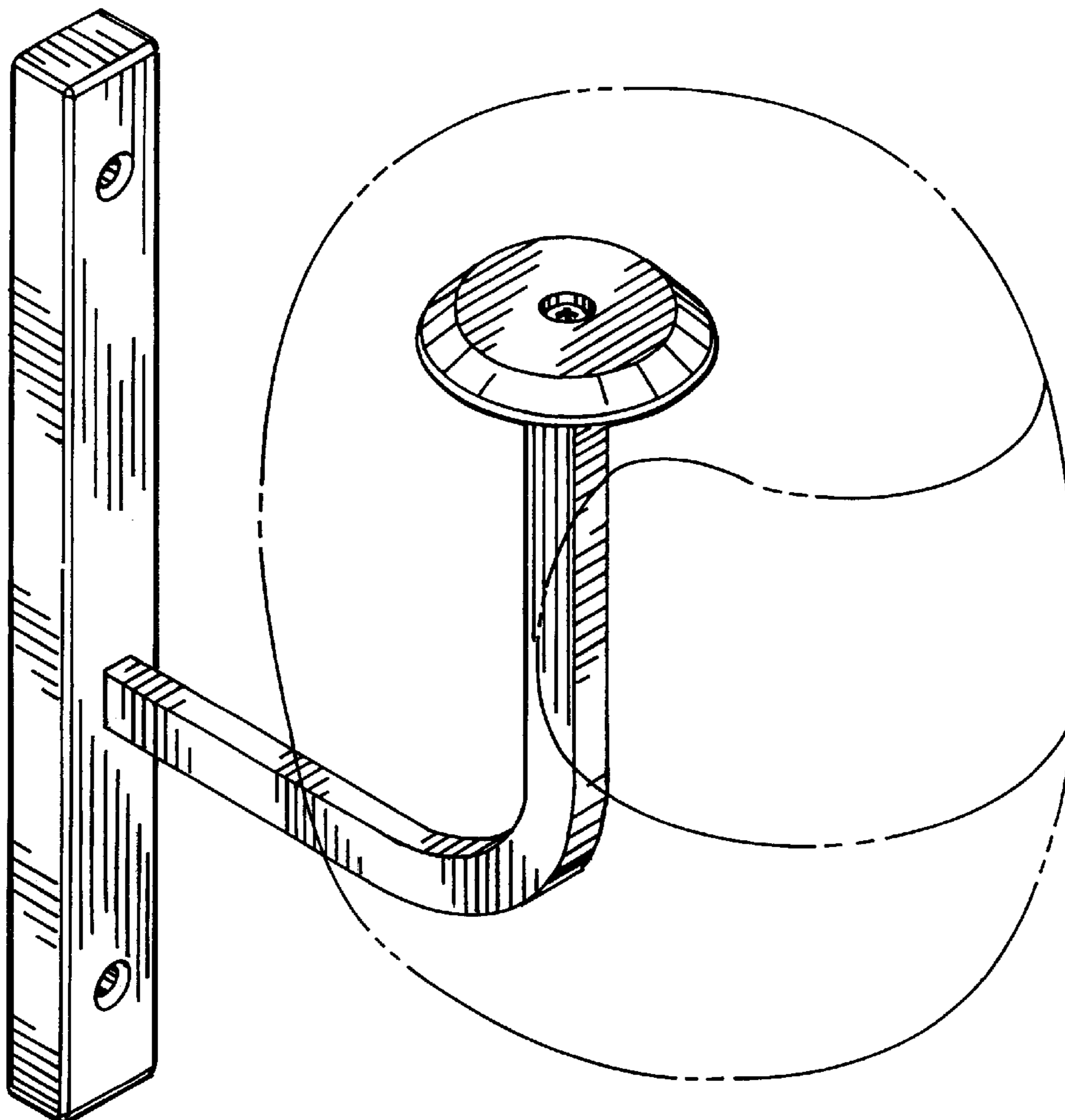
FIG. 4 is a left side elevational view thereof;

FIG. 5 is a front elevational view;

FIG. 6 is a rear elevational view thereof; and,

FIG. 7 is a right side elevational view thereof.

1 Claim, 3 Drawing Sheets



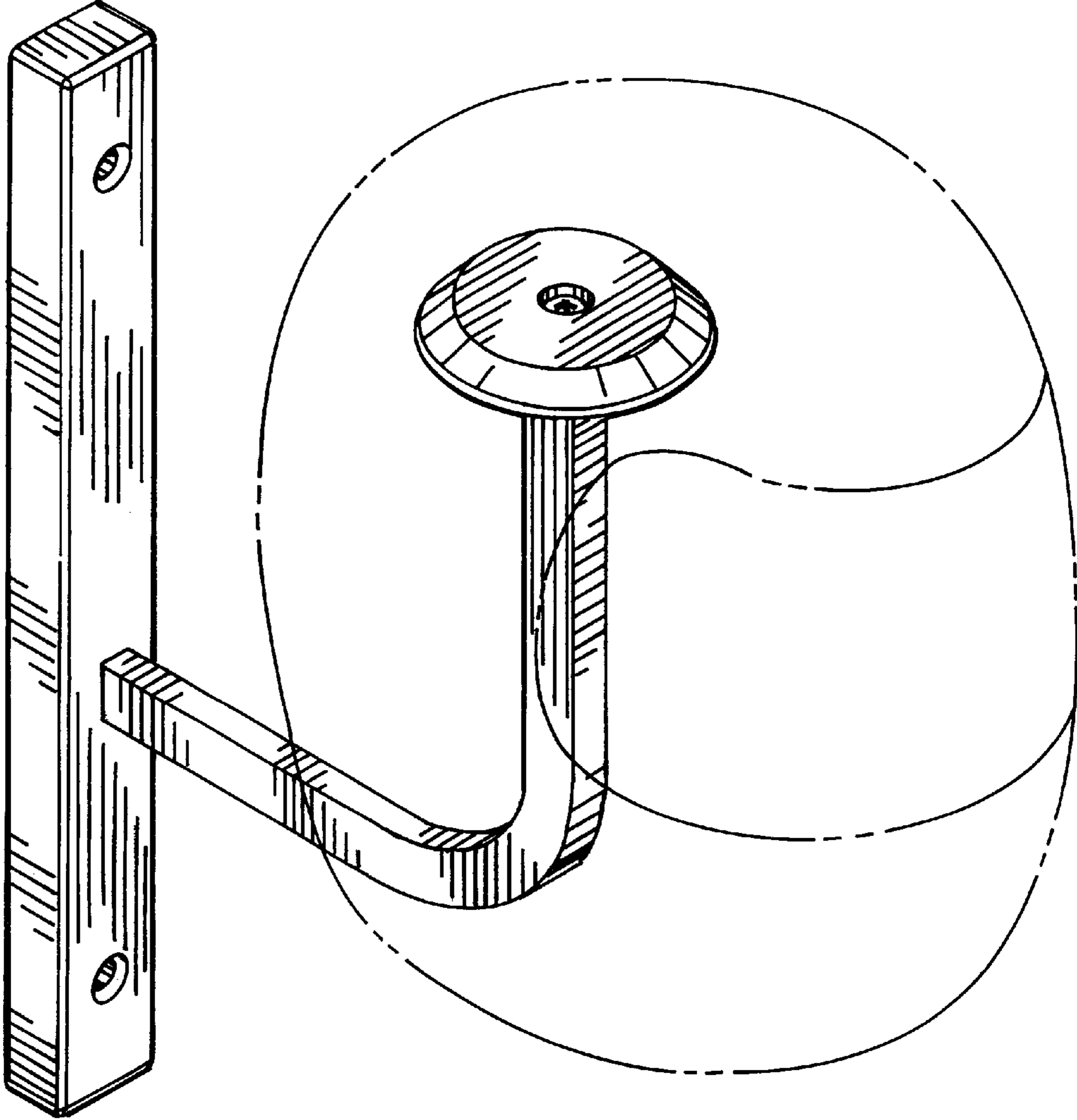


FIG. 1

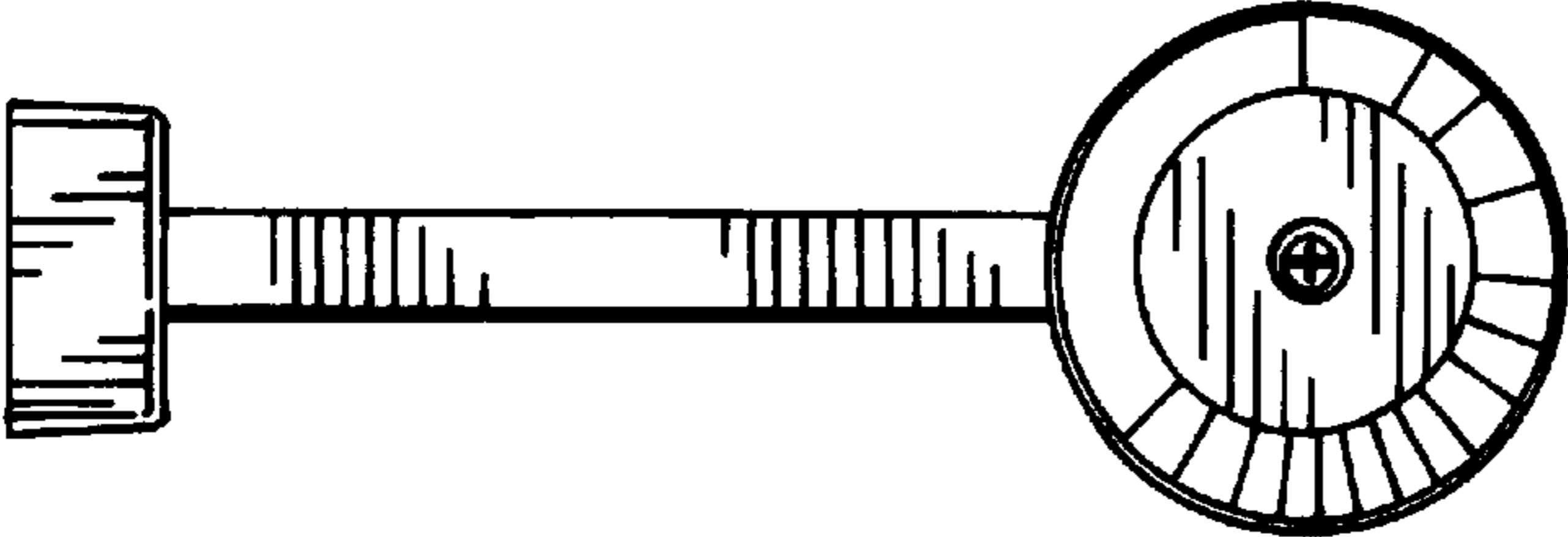


FIG. 2

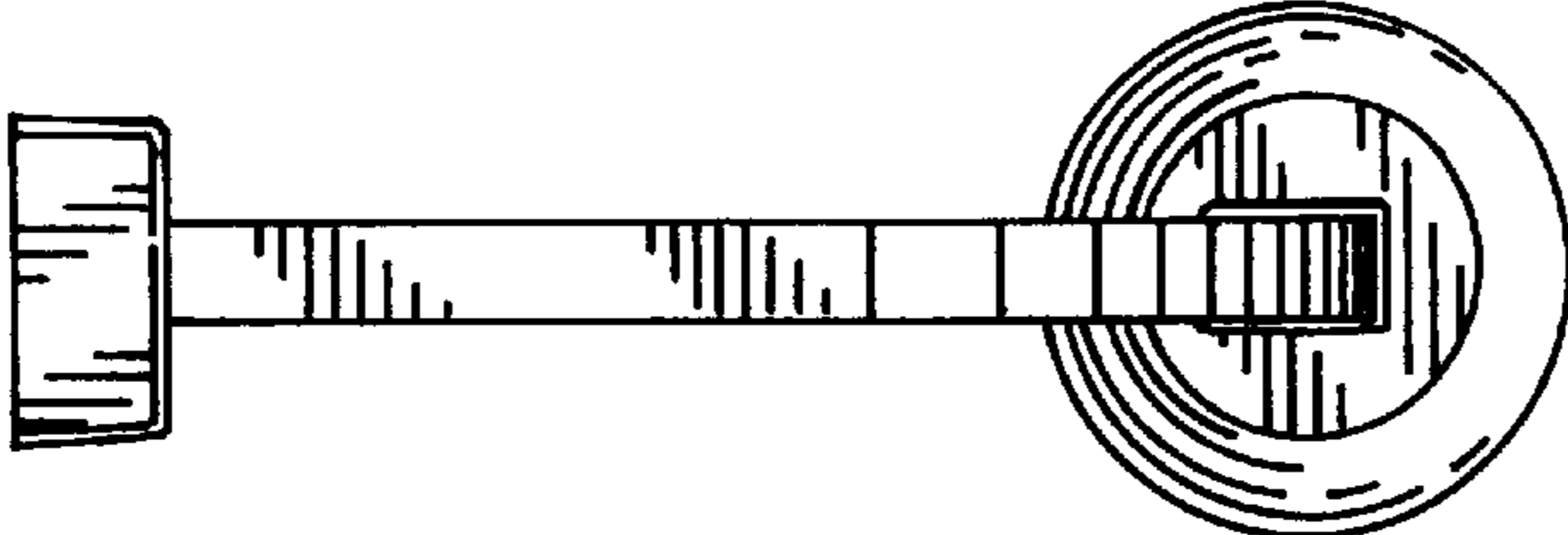


FIG. 3

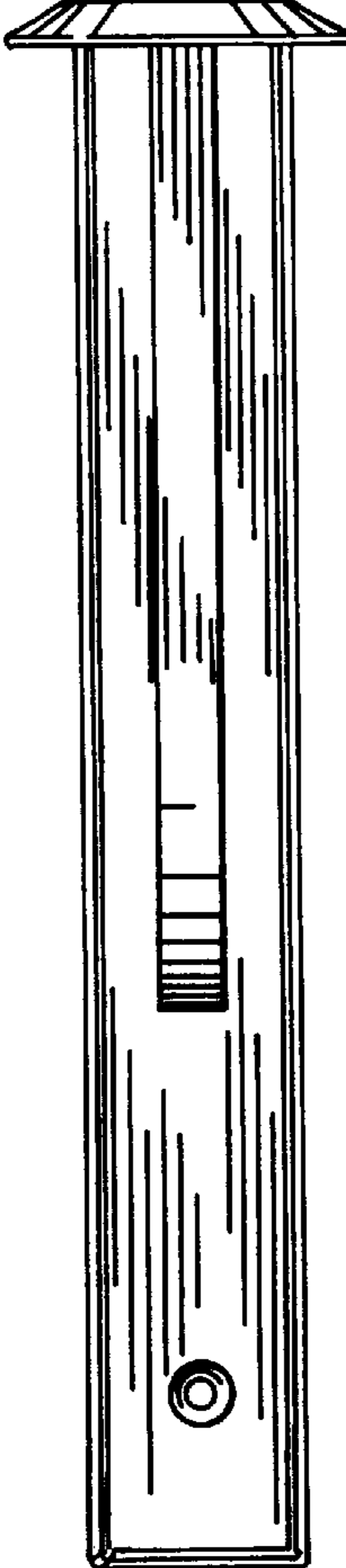


FIG. 5

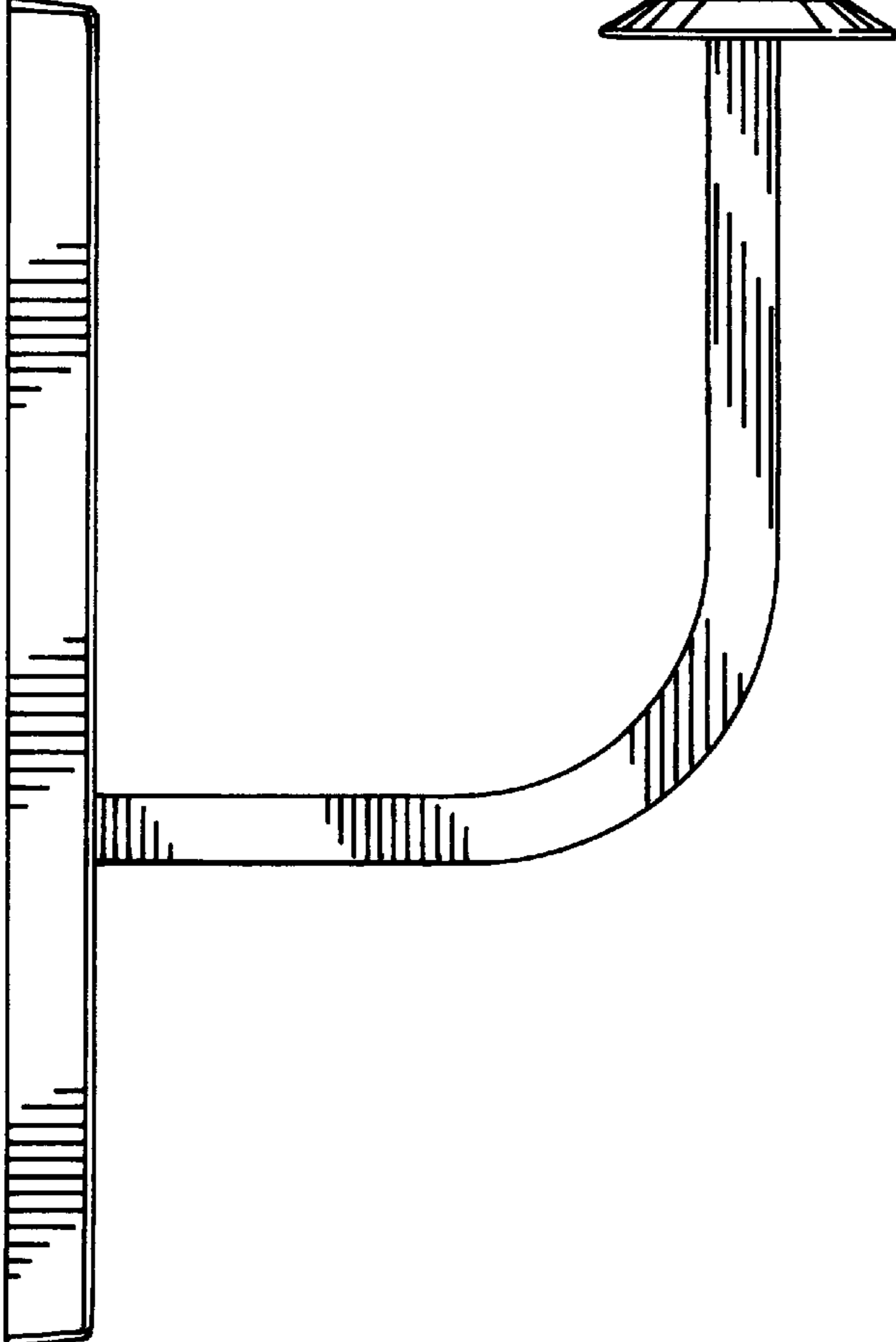


FIG. 4

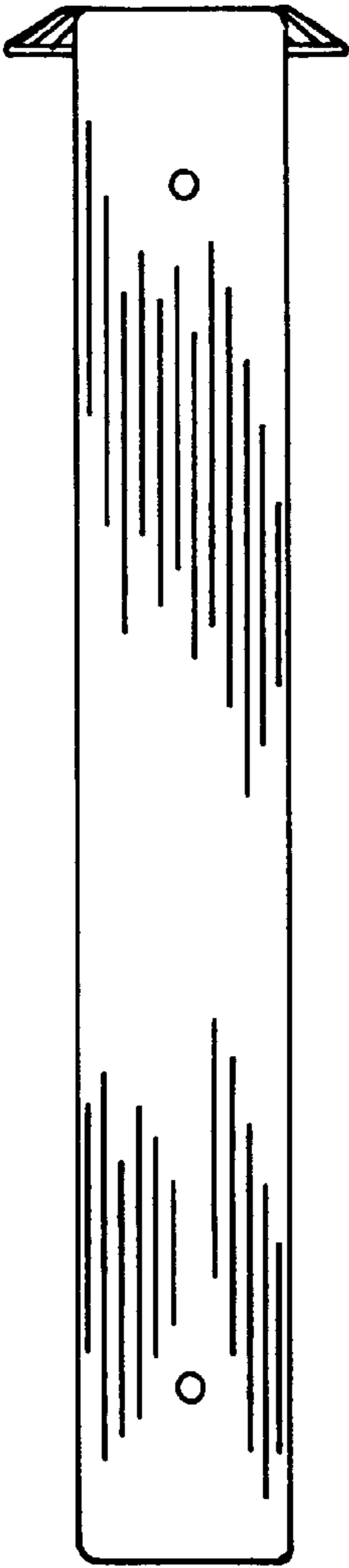


FIG. 6

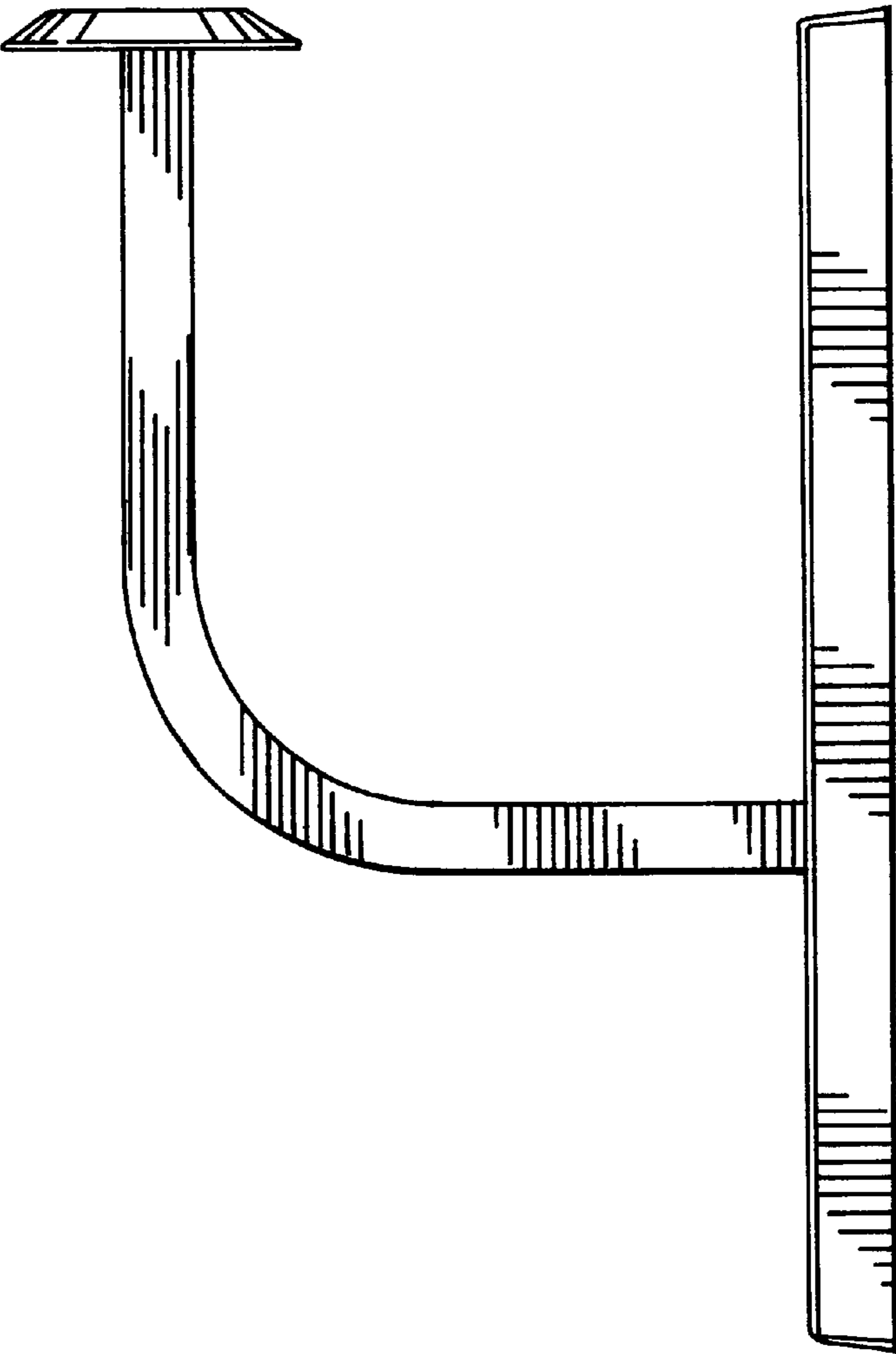


FIG. 7