

US00D504605S

(12) **United States Design Patent**
Annes

(10) **Patent No.:** **US D504,605 S**

(45) **Date of Patent:** **** May 3, 2005**

(54) **LOCK HANDLE**

(75) **Inventor:** **Jason L. Annes**, Chicago, IL (US)

(73) **Assignee:** **Newell Operating Company**, Freeport, IL (US)

(**) **Term:** **14 Years**

(21) **Appl. No.:** **29/160,951**

(22) **Filed:** **May 20, 2002**

(51) **LOC (7) Cl.** **08-06**

(52) **U.S. Cl.** **D8/307**

(58) **Field of Search** D8/300, 307, 313,
D8/337, 338, 402; 70/89-90; 292/48, 204,
209, 241, DIG. 47; D6/306

(56) **References Cited**

U.S. PATENT DOCUMENTS

D16,312 S	*	10/1885	Burney	D6/306
373,143 A	*	11/1887	Lister	292/241
423,761 A	*	3/1890	Hasenpflug	292/241
D105,350 S	*	7/1937	Smull	D8/402
D316,509 S		4/1991	Nolte		
D361,490 S		8/1995	Vetter		
5,448,857 A		9/1995	Stormo		
RE35,463 E		2/1997	Vetter et al.		
D388,689 S		1/1998	Bauman et al.		
D389,396 S		1/1998	Johnson et al.		

D390,445 S	2/1998	Johnson et al.
5,741,031 A	4/1998	Bauman et al.
5,778,602 A	7/1998	Johnson et al.
5,839,767 A	11/1998	Piltingsrud
5,927,768 A	7/1999	Dallmann et al.
6,139,070 A	10/2000	Piltingsrud
D440,143 S	4/2001	Minter et al.
6,354,639 B1	3/2002	Minter et al.
6,367,853 B1	4/2002	Briggs

* cited by examiner

Primary Examiner—Paula A. Greene

(74) *Attorney, Agent, or Firm*—Wallenstein Wagner & Rockey, Ltd.

(57) **CLAIM**

I claim the ornamental design for a lock handle, as shown and described.

DESCRIPTION

FIG. 1 is a perspective view of a lock handle showing my new design;
FIG. 2 is a front elevation view thereof;
FIG. 3 is a side elevation view thereof;
FIG. 4 is a rear elevation view thereof;
FIG. 5 is a top plan view thereof; and,
FIG. 6 is a bottom plan view thereof.
The broken lines in FIGS. 1 through 6 are for illustrative purposes only and form no part of the claimed design.

1 Claim, 1 Drawing Sheet

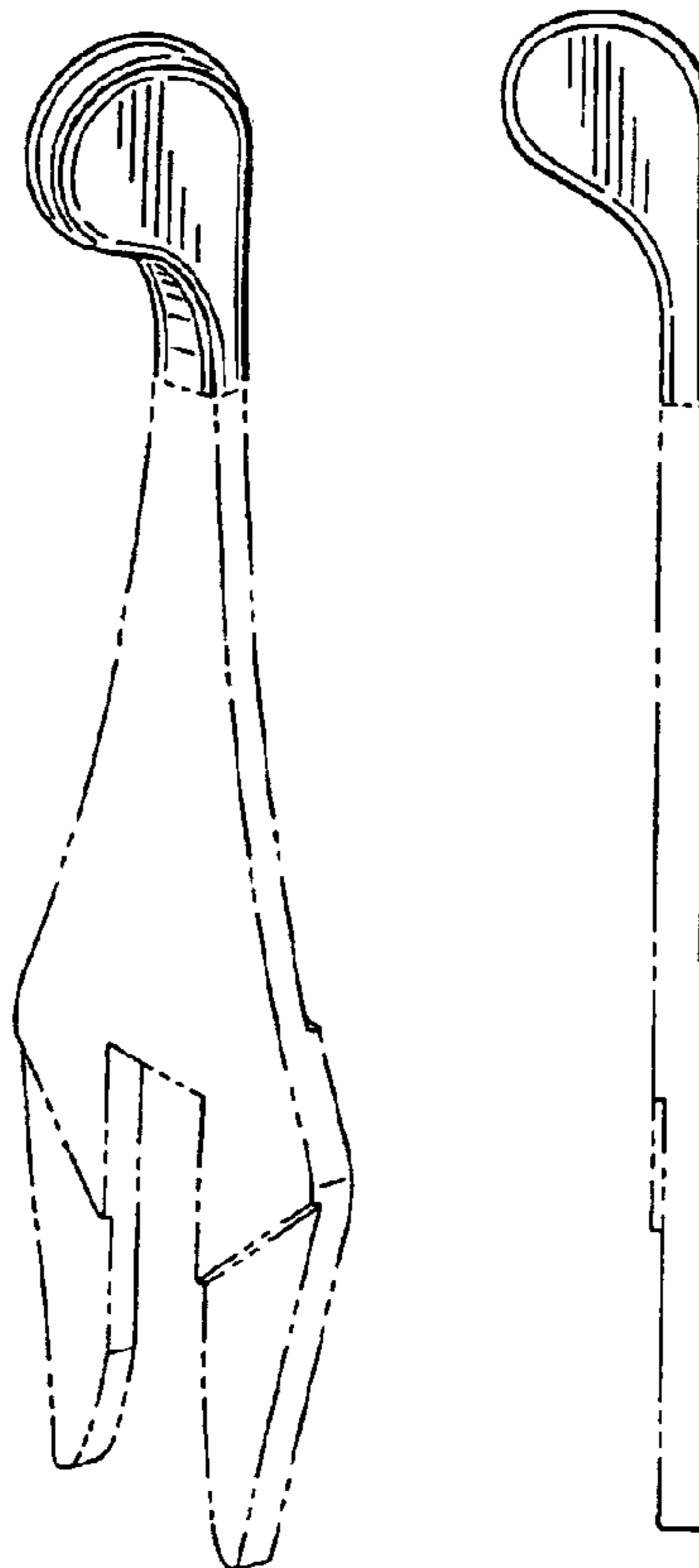


FIG. 1

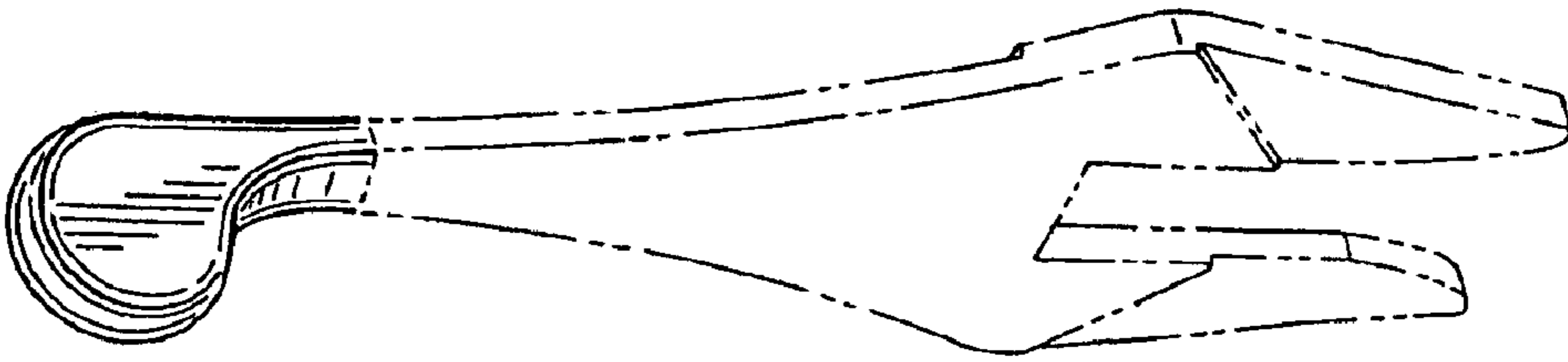


FIG. 2

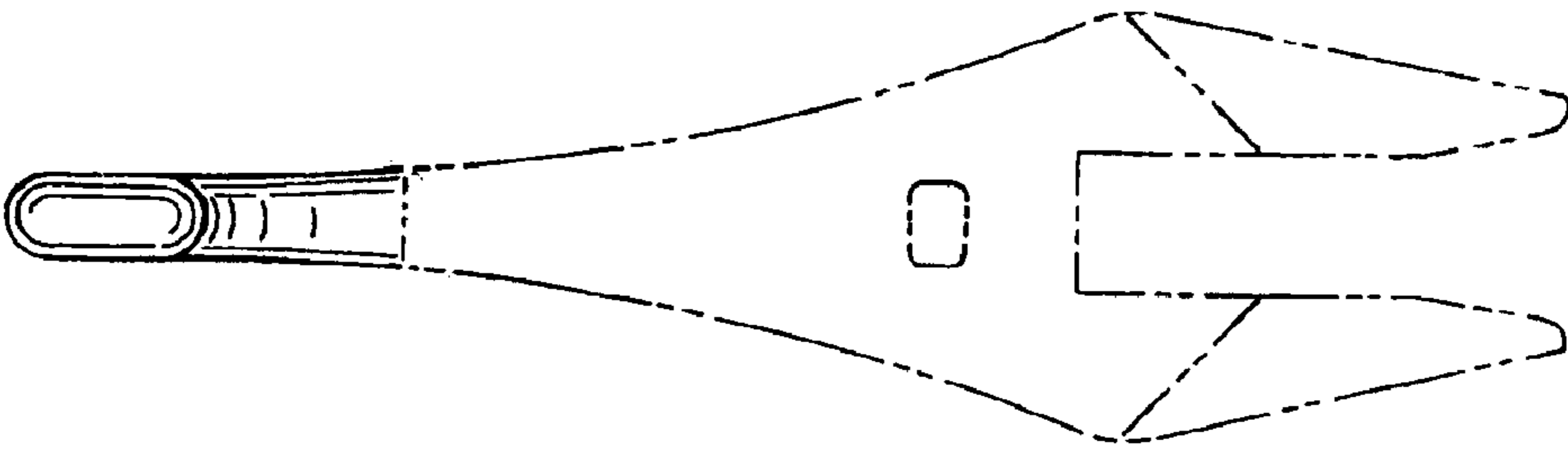


FIG. 3

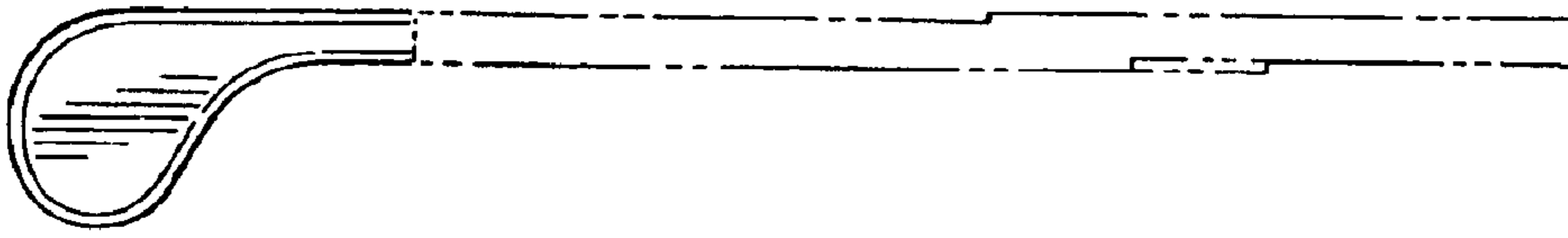


FIG. 4

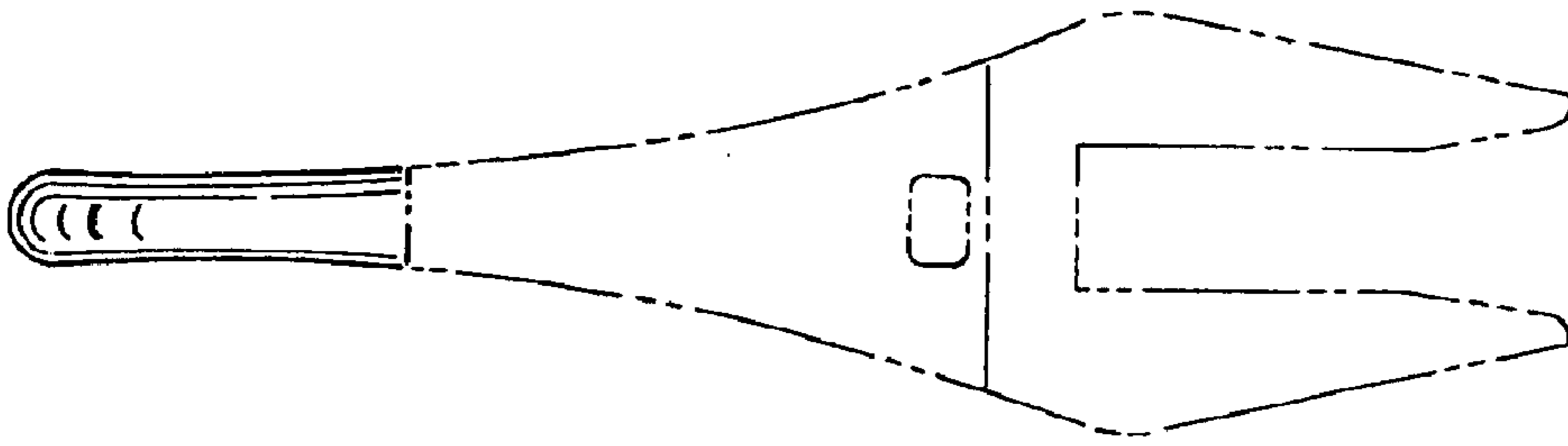


FIG. 5

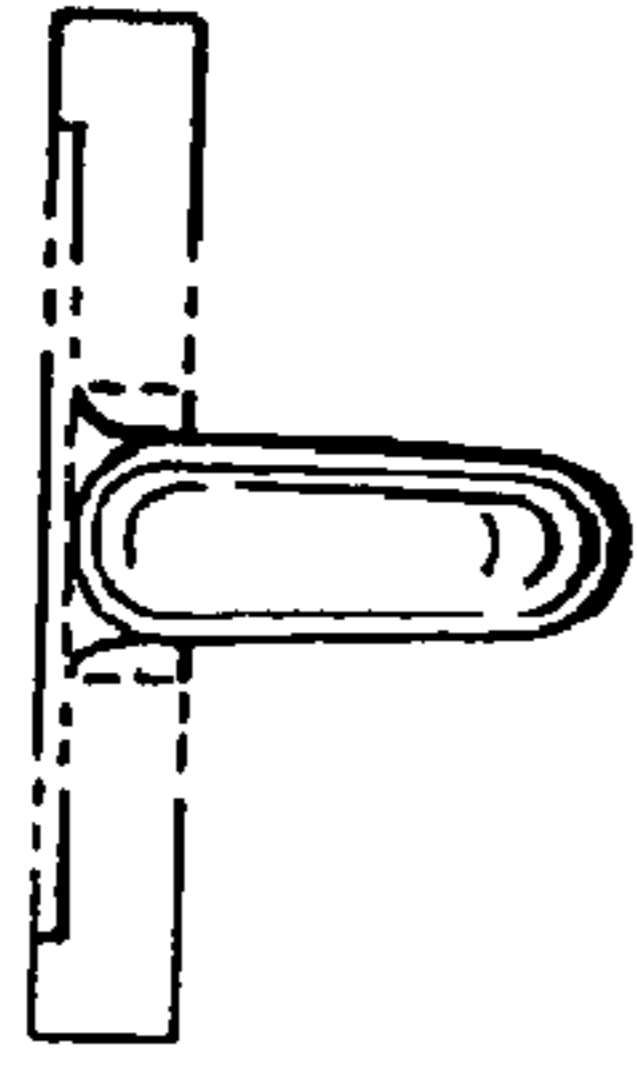


FIG. 6

