

US00D504603S

(12) **United States Design Patent**
Xiaoxian

(10) **Patent No.:** **US D504,603 S**

(45) **Date of Patent:** **** May 3, 2005**

(54) **RECIPROCATING SAW**

(75) **Inventor:** **Bian Xiaoxian, Suzhou (CN)**

(73) **Assignee:** **Positec Power Tools (Suzhou) Co. Ltd., Suzhou (CN)**

(**) **Term:** **14 Years**

(21) **Appl. No.:** **29/177,092**

(22) **Filed:** **Mar. 4, 2003**

(30) **Foreign Application Priority Data**

Sep. 4, 2002 (CN) 02 3 34059

(51) **LOC (7) Cl.** **08-03**

(52) **U.S. Cl.** **D8/64**

(58) **Field of Search** D8/61, 64, 67,
D8/68, 69; 30/374, 375, 376, 377, 390,
391, 392, 393, 394; 83/699.21, 747; 173/216,
217

(56) **References Cited**

U.S. PATENT DOCUMENTS

4,550,501	A	*	11/1985	Moores et al.	30/393
5,007,172	A	*	4/1991	Palm	30/377
D339,510	S	*	9/1993	Sakamoto et al.	D8/64
5,598,636	A	*	2/1997	Stolzer	30/394
5,724,741	A	*	3/1998	Bednar	30/376
D401,128	S	*	11/1998	Zurwelle	D8/64
5,855,070	A	*	1/1999	Grabowski	30/376
D408,699	S	*	4/1999	Zurwelle	D8/64
D416,180	S	*	11/1999	Sakai et al.	D8/64
D434,627	S	*	12/2000	Buck	D8/64
D440,849	S	*	4/2001	Sakai et al.	D8/64

6,286,217	B1	*	9/2001	Dassoulas et al.	30/392
6,286,609	B1	*	9/2001	Carrier et al.	173/1
D456,233	S	*	4/2002	Main	D8/64
D468,982	S	*	1/2003	Brazell et al.	D8/64
D471,418	S	*	3/2003	Chunn et al.	D8/64
D473,771	S	*	4/2003	Hayakawa et al.	D8/64
D474,088	S	*	5/2003	Chunn et al.	D8/64
D479,453	S	*	9/2003	Lind et al.	D8/64
2002/0059732	A1	*	5/2002	Campbell et al.	30/392
2002/0144411	A1	*	10/2002	Brooks	30/392
2003/0051352	A1	*	3/2003	Clark, Jr.	30/392

* cited by examiner

Primary Examiner—Joel A. Sincavage

Assistant Examiner—Elizabeth Albert

(74) *Attorney, Agent, or Firm*—Hedman & Costigan, P.C.

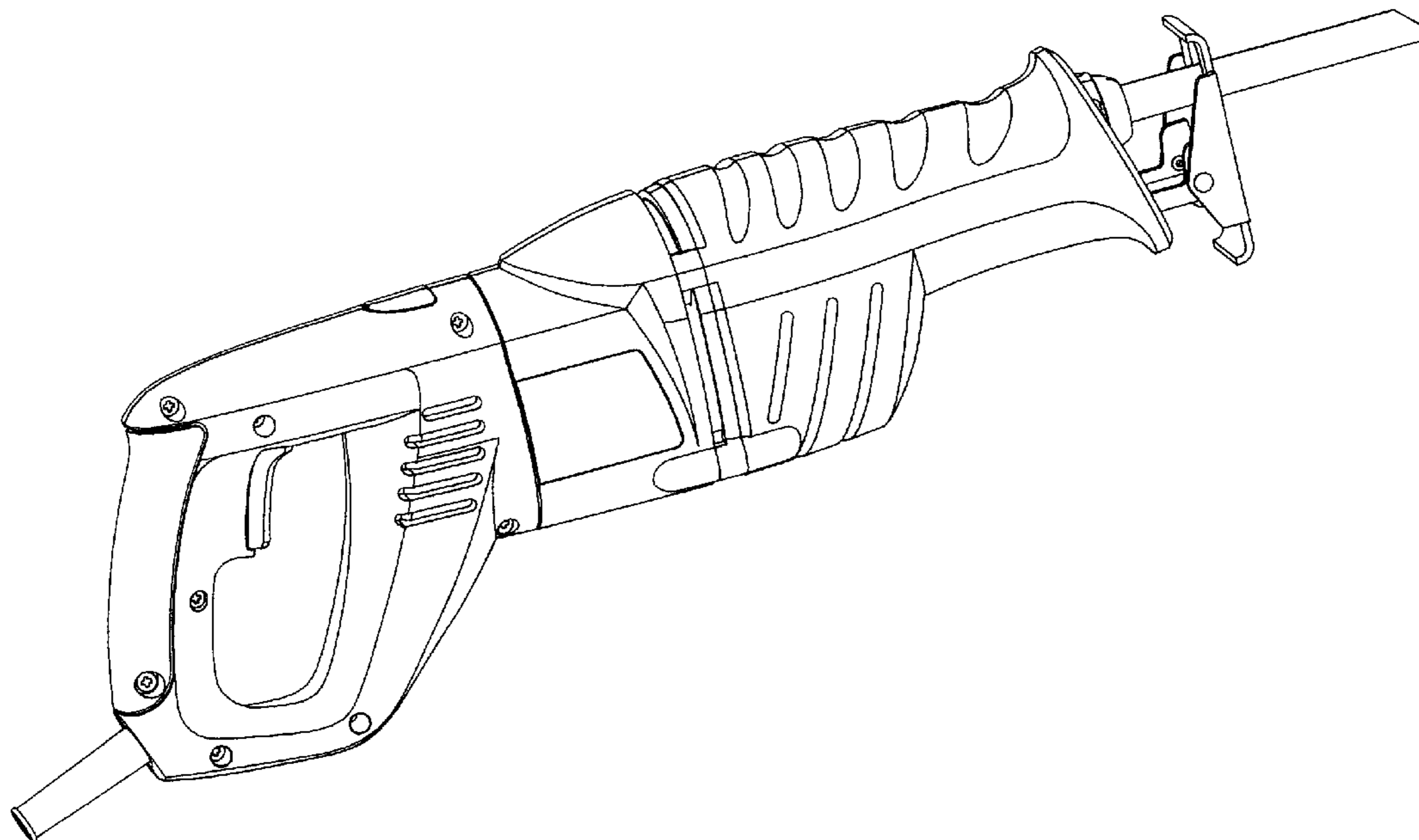
(57) **CLAIM**

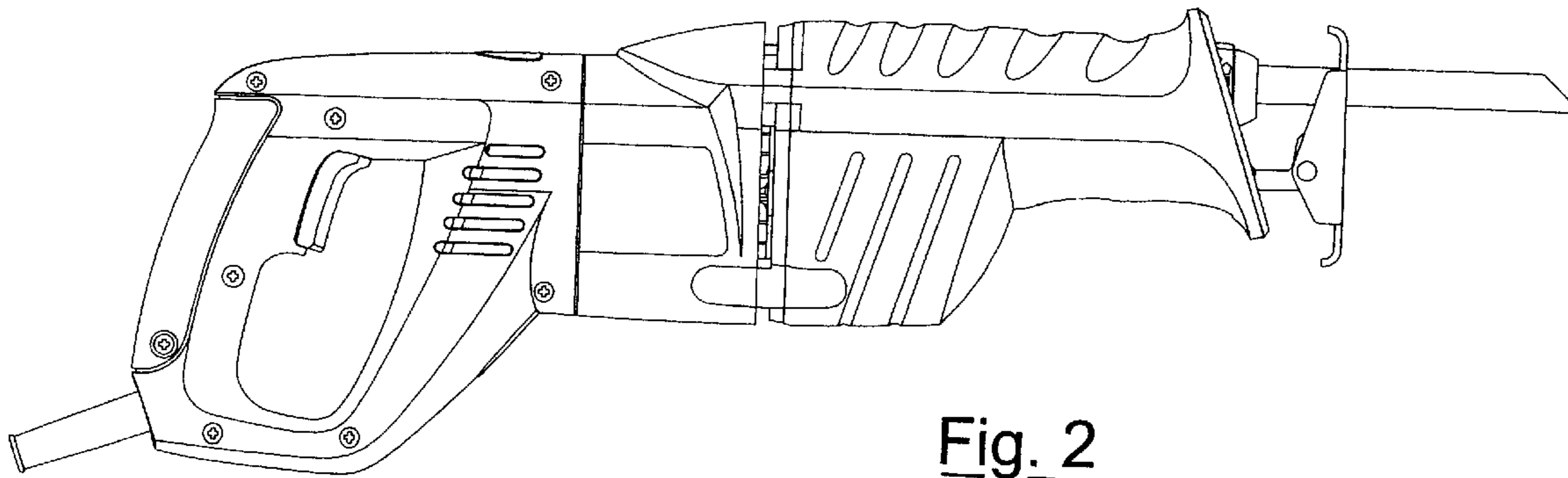
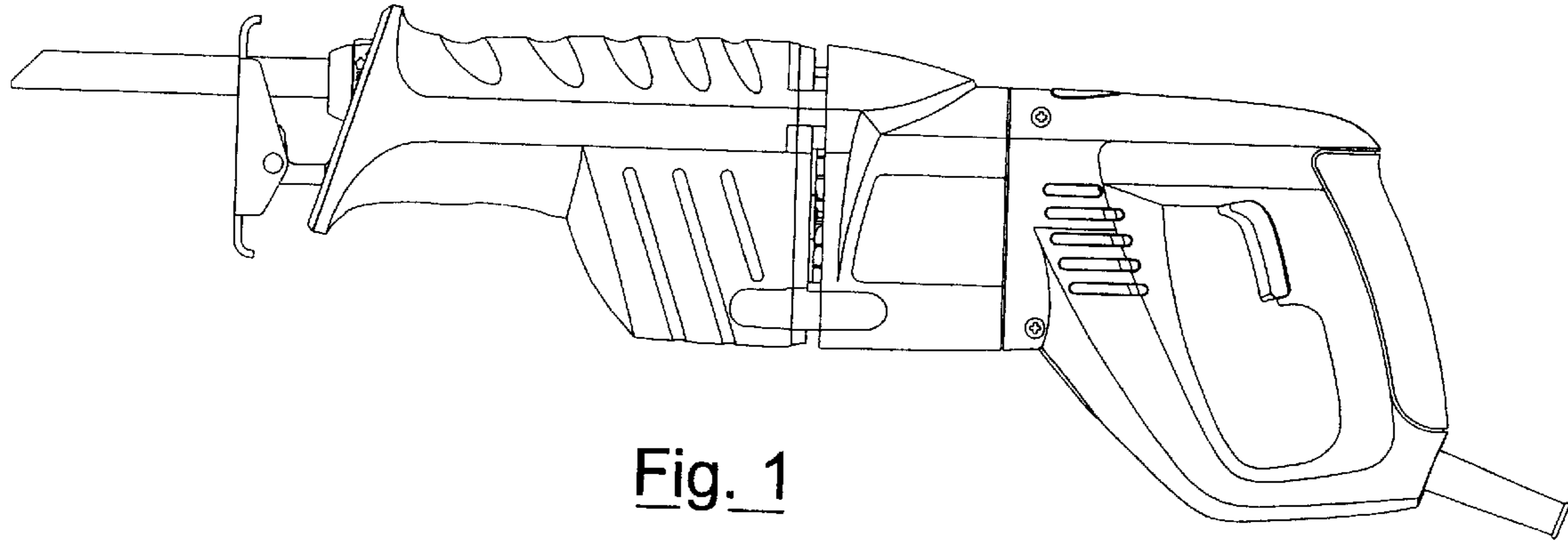
The ornamental design for a reciprocating saw, as shown and described.

DESCRIPTION

FIG. 1 is a front elevation view of the reciprocating saw, which is the object of the present design; FIG. 2 is a back elevation view thereof; FIG. 3 is a left side elevation view thereof; FIG. 4 is a right side elevation view thereof; FIG. 5 is a top plan view thereof; FIG. 6 is a bottom plan view thereof; and, FIG. 7 is a perspective view thereof. The broken lines showing environment in the drawings are for illustrative purposes only and form no part of the claimed design.

1 Claim, 4 Drawing Sheets





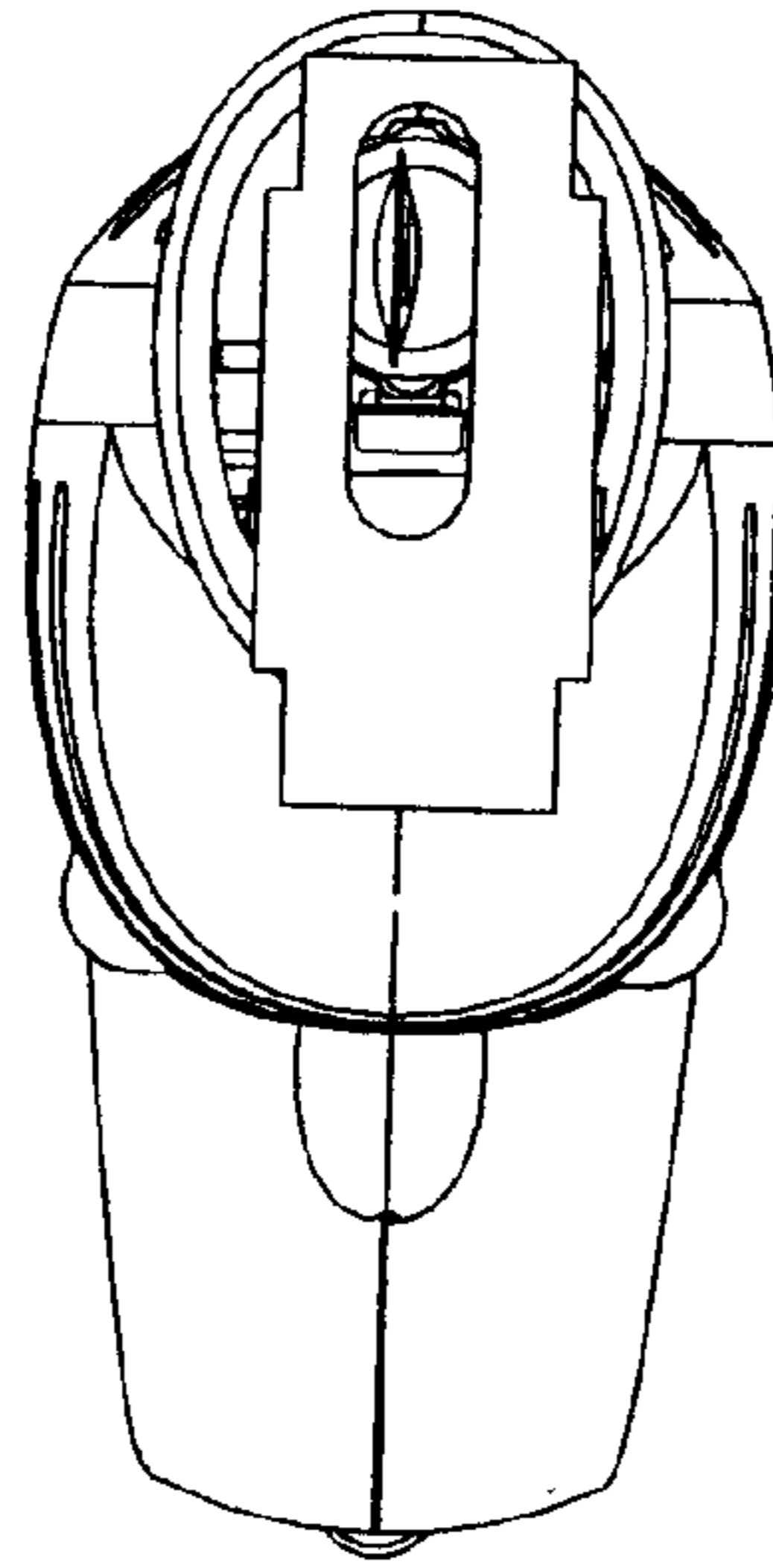


Fig. 3

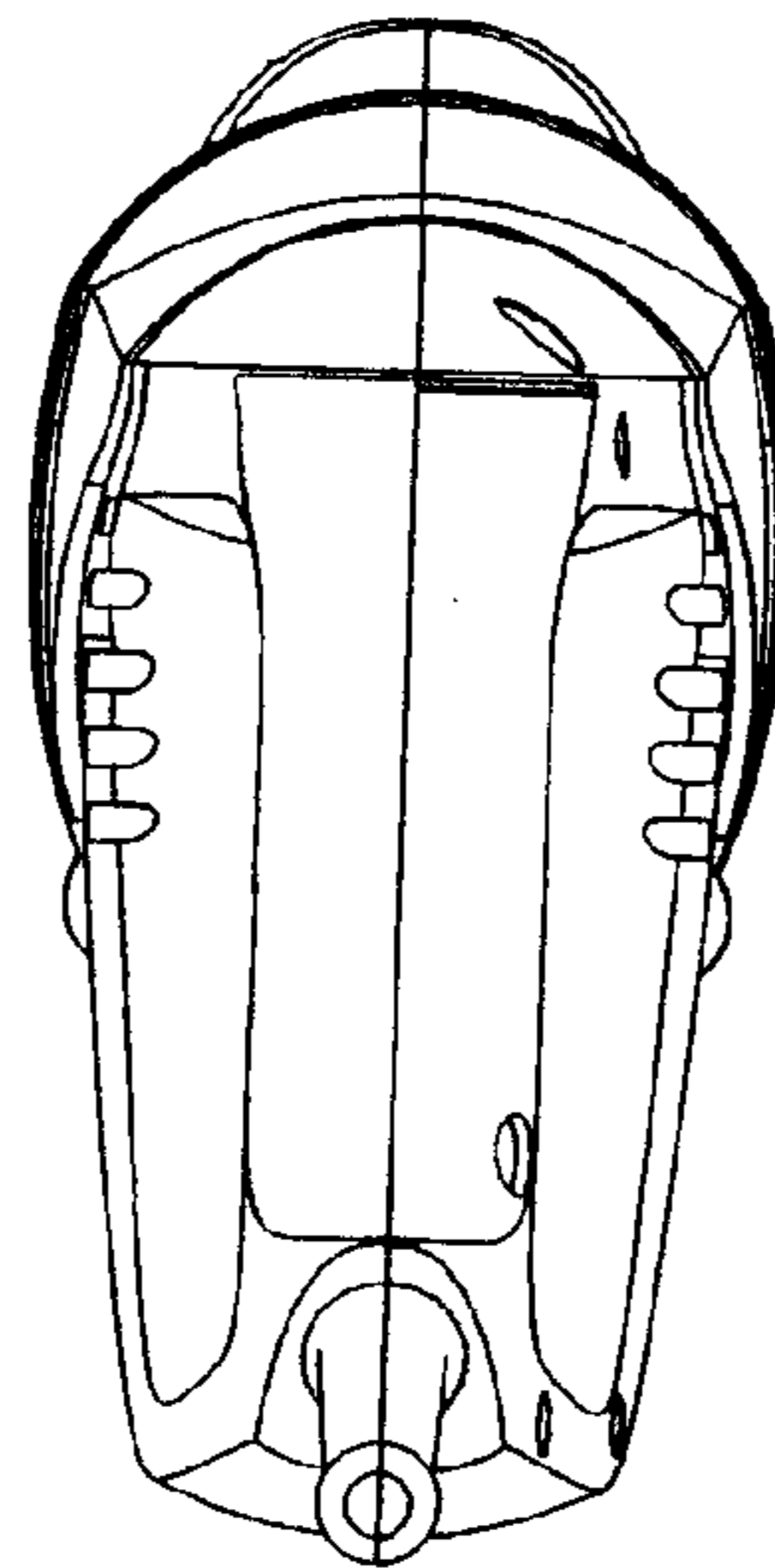


Fig. 4

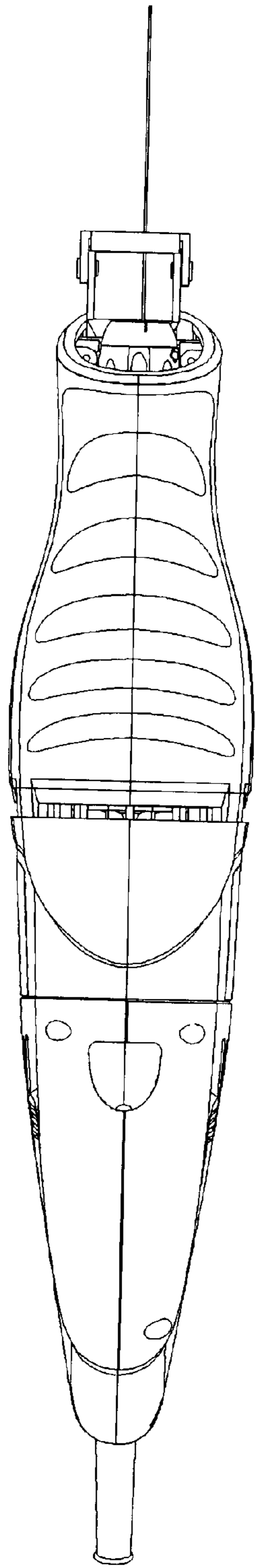


Fig. 5

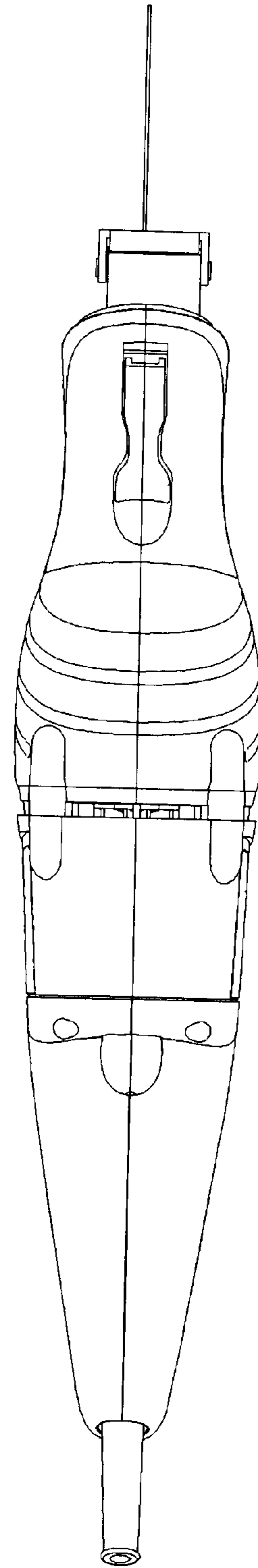


Fig. 6

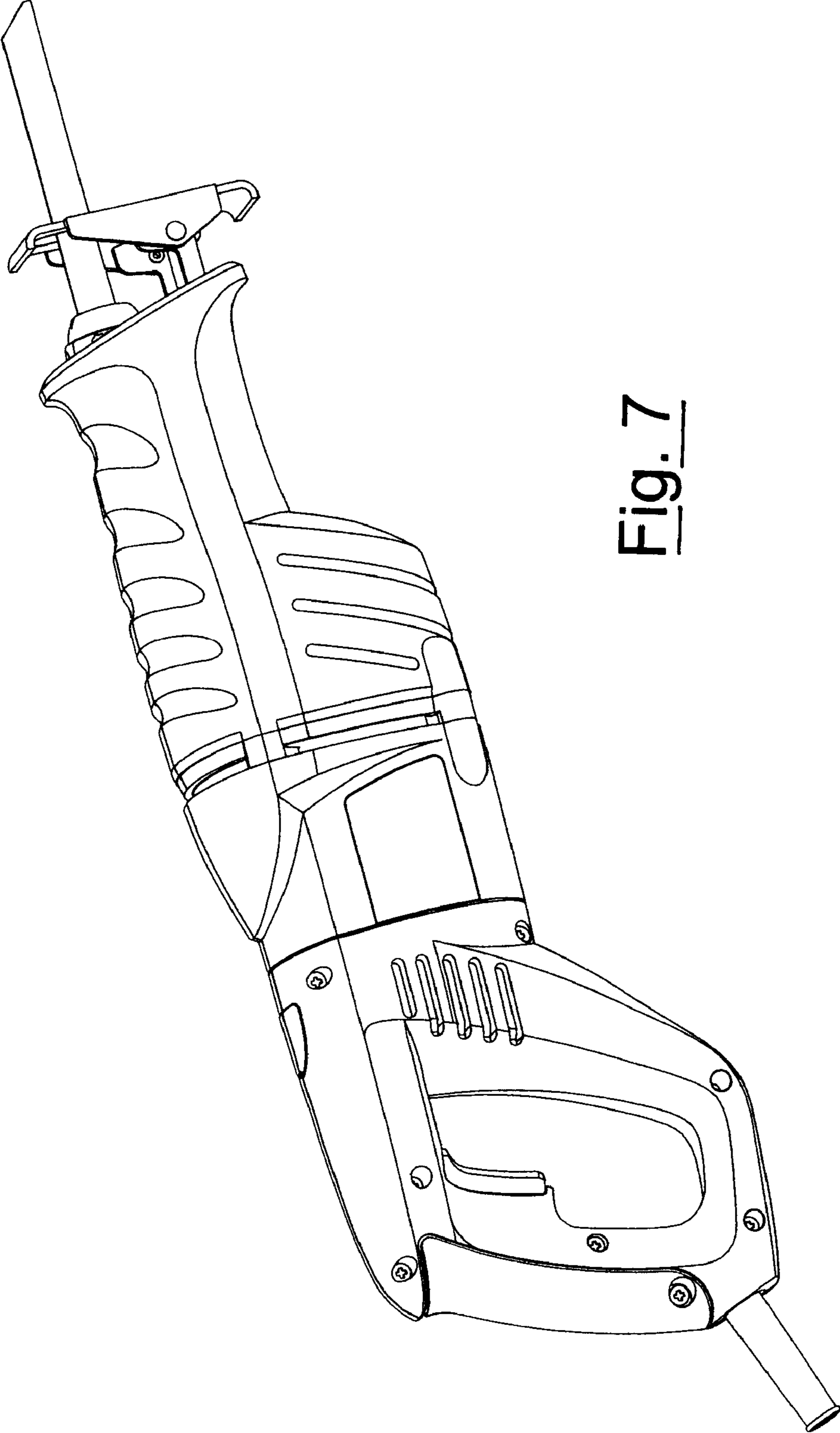


Fig. 7