

US00D504601S

(12) **United States Design Patent** (10) **Patent No.:** **US D504,601 S**  
**Jimenez** (45) **Date of Patent:** **\*\* May 3, 2005**

(54) **HANDLE**

D483,638 S 12/2003 Jimenez ..... D8/83  
D491,777 S \* 6/2004 Wenisch ..... D8/45

(75) Inventor: **Eduardo J. Jimenez**, Manalapan, NJ (US)

\* cited by examiner

(73) Assignee: **KC Holdings, PLLC**

*Primary Examiner*—Holly Baynham  
(74) *Attorney, Agent, or Firm*—Wolff & King, PLLC;  
Kevin A. Wolff; Eric G. King

(\*\*) Term: **14 Years**

(57) **CLAIM**

(21) Appl. No.: **29/211,619**

The ornamental design for a handle, as shown and described.

(22) Filed: **Aug. 19, 2004**

**DESCRIPTION**

(51) **LOC (7) Cl.** ..... **08-05**

(52) **U.S. Cl.** ..... **D8/45**

(58) **Field of Search** ..... D8/45, 107; 15/235.4

FIG. 1 is a perspective view of the handle showing my new design looking downwardly at a front and left side thereof, and showing a tool in broken lines attached to the bottom of the handle;

(56) **References Cited**

**U.S. PATENT DOCUMENTS**

2,952,028 A *	9/1960	Robbins	.....	15/235.4
D371,499 S	7/1996	Gomas	.....	D8/107
D398,828 S	9/1998	Shiao	.....	D8/83
D405,341 S	2/1999	Hsu	.....	D8/107
D408,252 S	4/1999	Holland-Letz	.....	D8/83
D426,134 S *	6/2000	Pytlewski	.....	D8/107
D436,822 S	1/2001	Douglas	.....	D8/83
D442,053 S	5/2001	Jimenez	.....	D8/95
D445,658 S	7/2001	Dierolf	.....	D8/83
D446,105 S	8/2001	Hsiao	.....	D8/107
D453,672 S *	2/2002	McCoy	.....	D8/90
D455,944 S	4/2002	Chen	.....	D8/107
D456,686 S	5/2002	Holland-Letz	.....	D8/83
D474,389 S *	5/2003	Panfili et al.	.....	D8/90
6,640,378 B2 *	11/2003	Hsu	.....	15/235.4

FIG. 2 is a left elevation view of the handle and the attached tool in broken lines below the handle;

FIG. 3 is a front elevation view of the handle and the attached tool in broken lines below the handle;

FIG. 4 is a top plan view of the handle and the attached tool in broken lines around the four sides of the handle; and,

FIG. 5 is a bottom plan view of the handle.

The broken lines showing the tool and the broken lines forming ovals on the front, back and side(s) of the handle circumference indicative of a material interface are for illustrative purposes only and forms no part of the claimed design. A right side and a back side elevation views of the saw handle are a mirror image of the left side elevation view and front side elevation view, respectively.

**1 Claim, 5 Drawing Sheets**

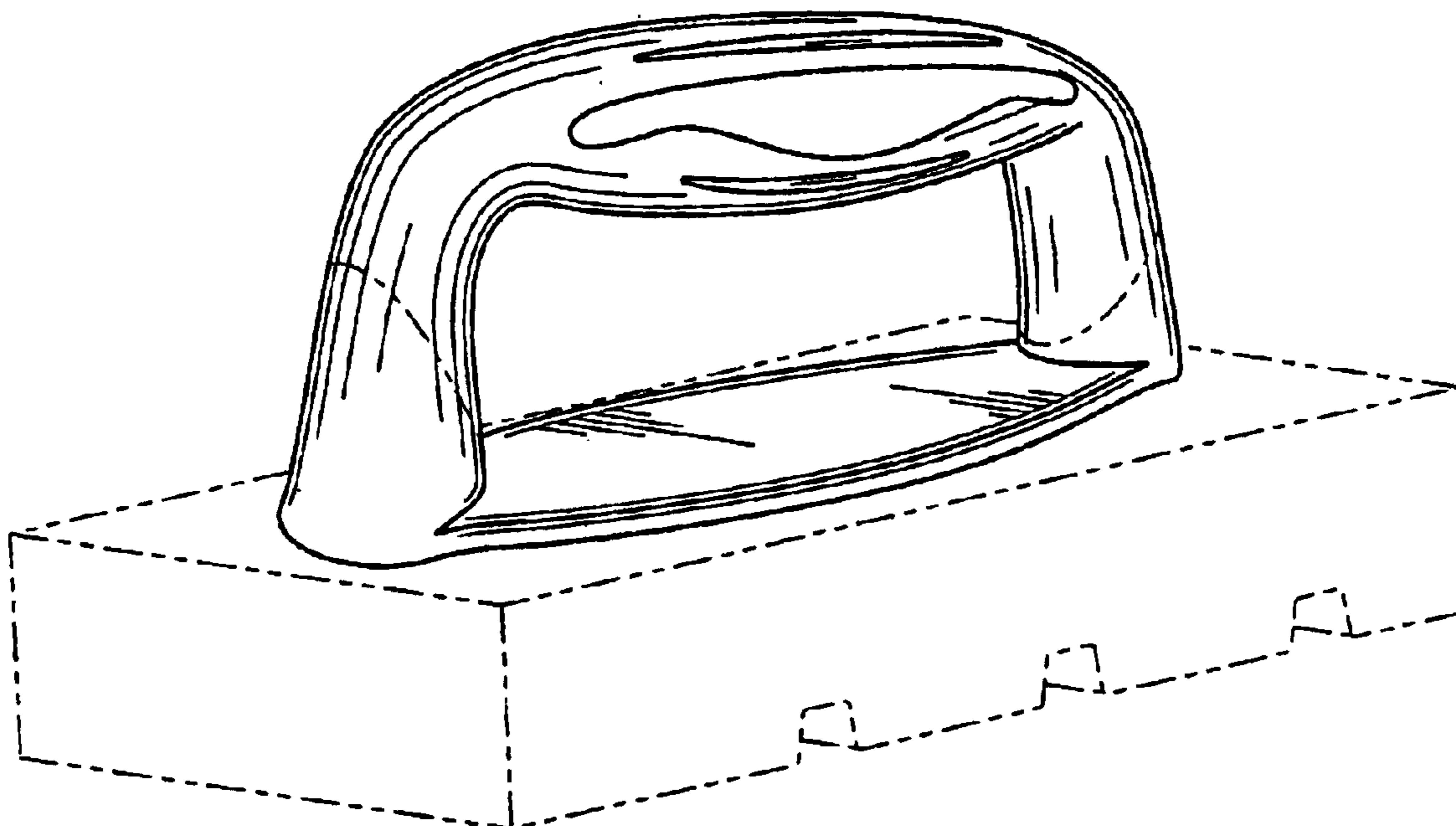


FIG. 1

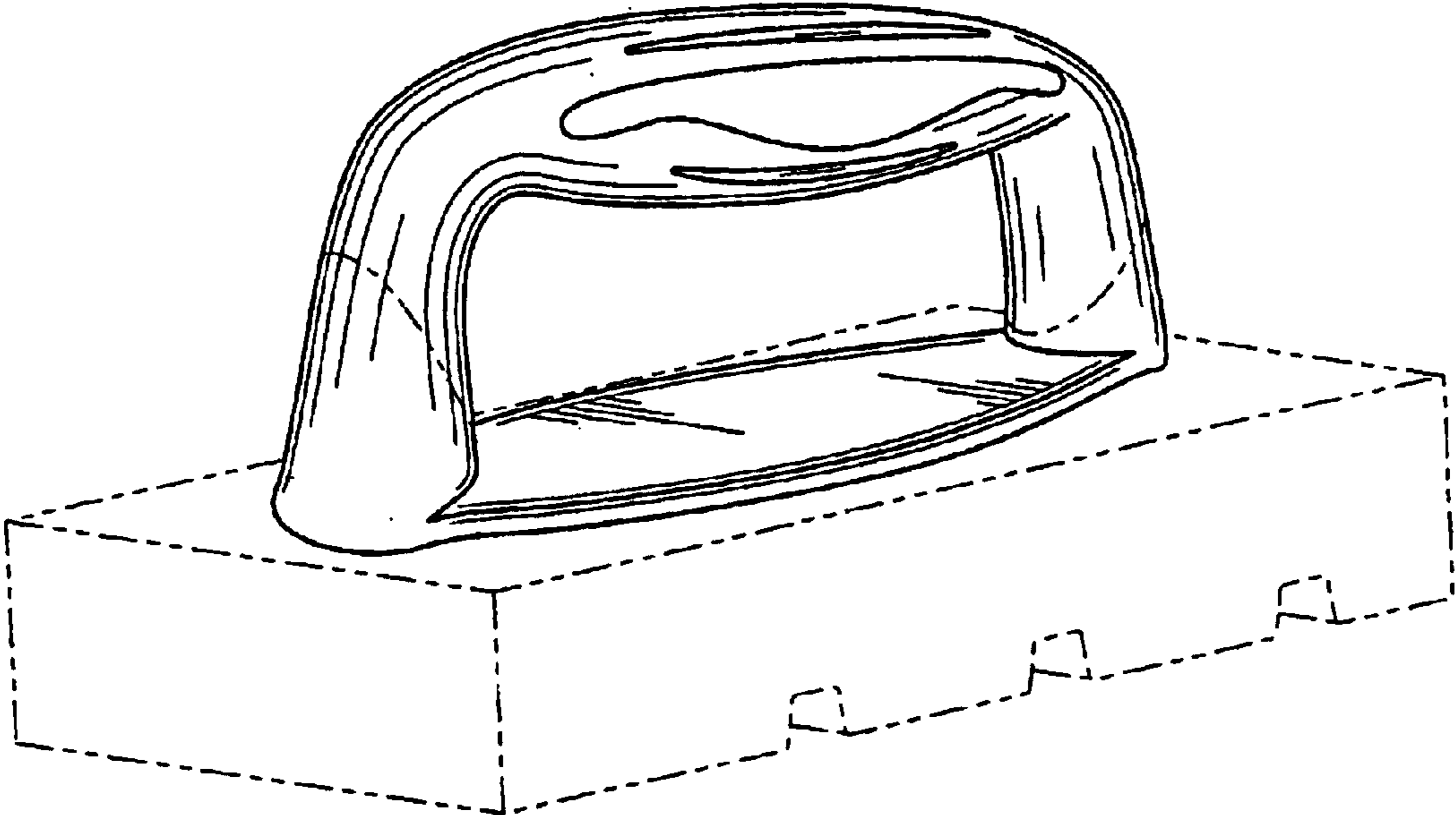


FIG. 2

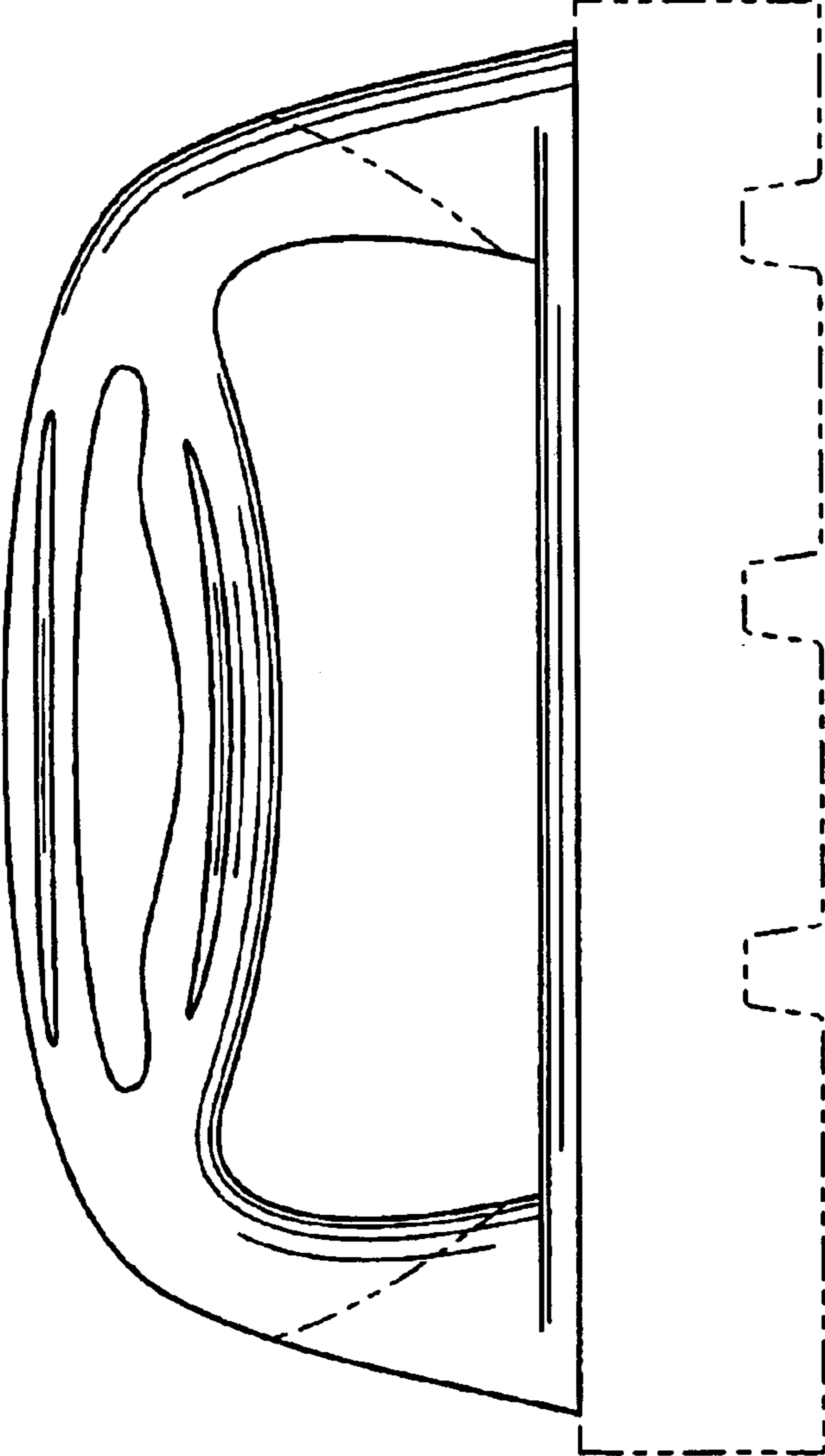


FIG. 3

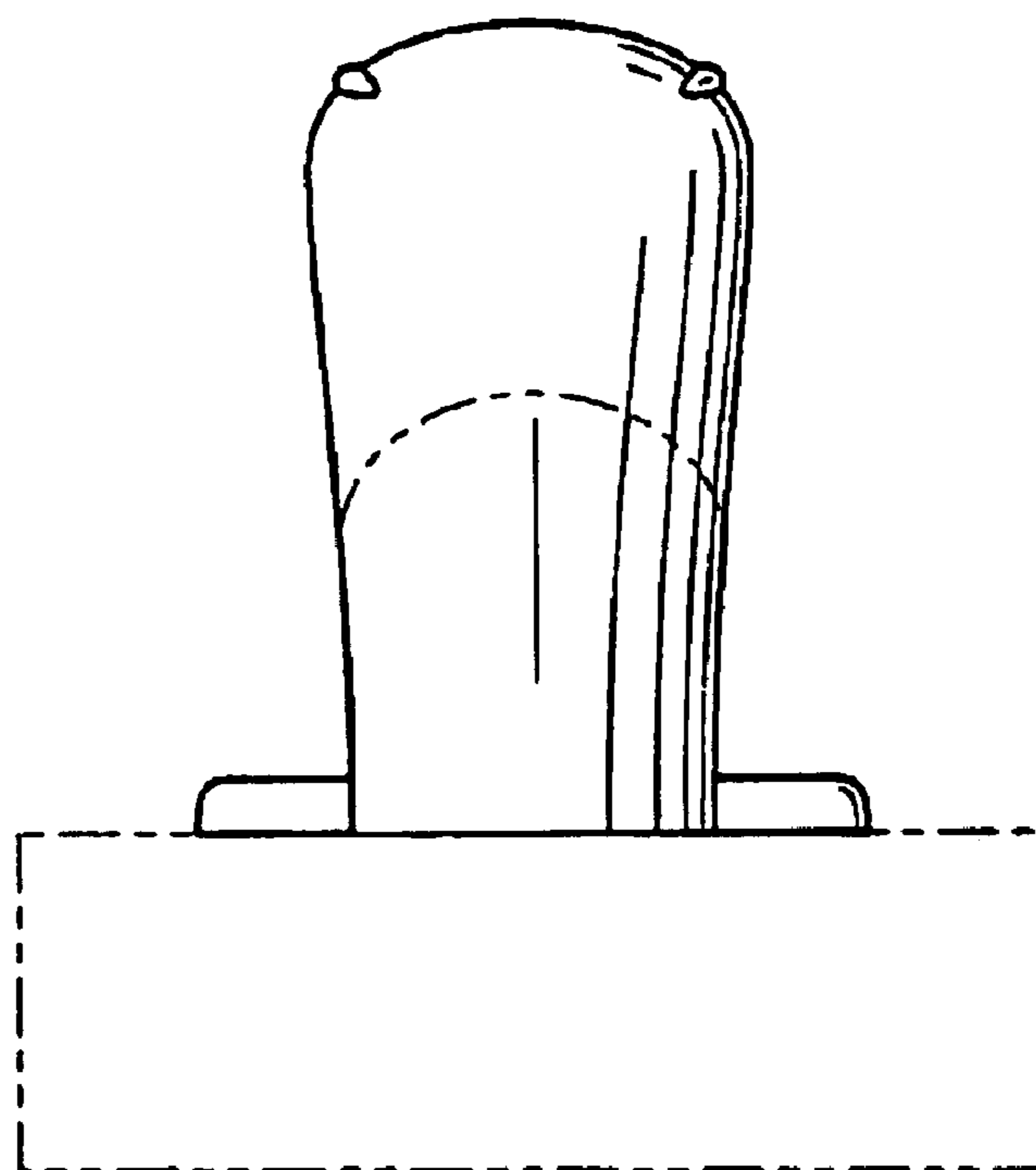


FIG. 4

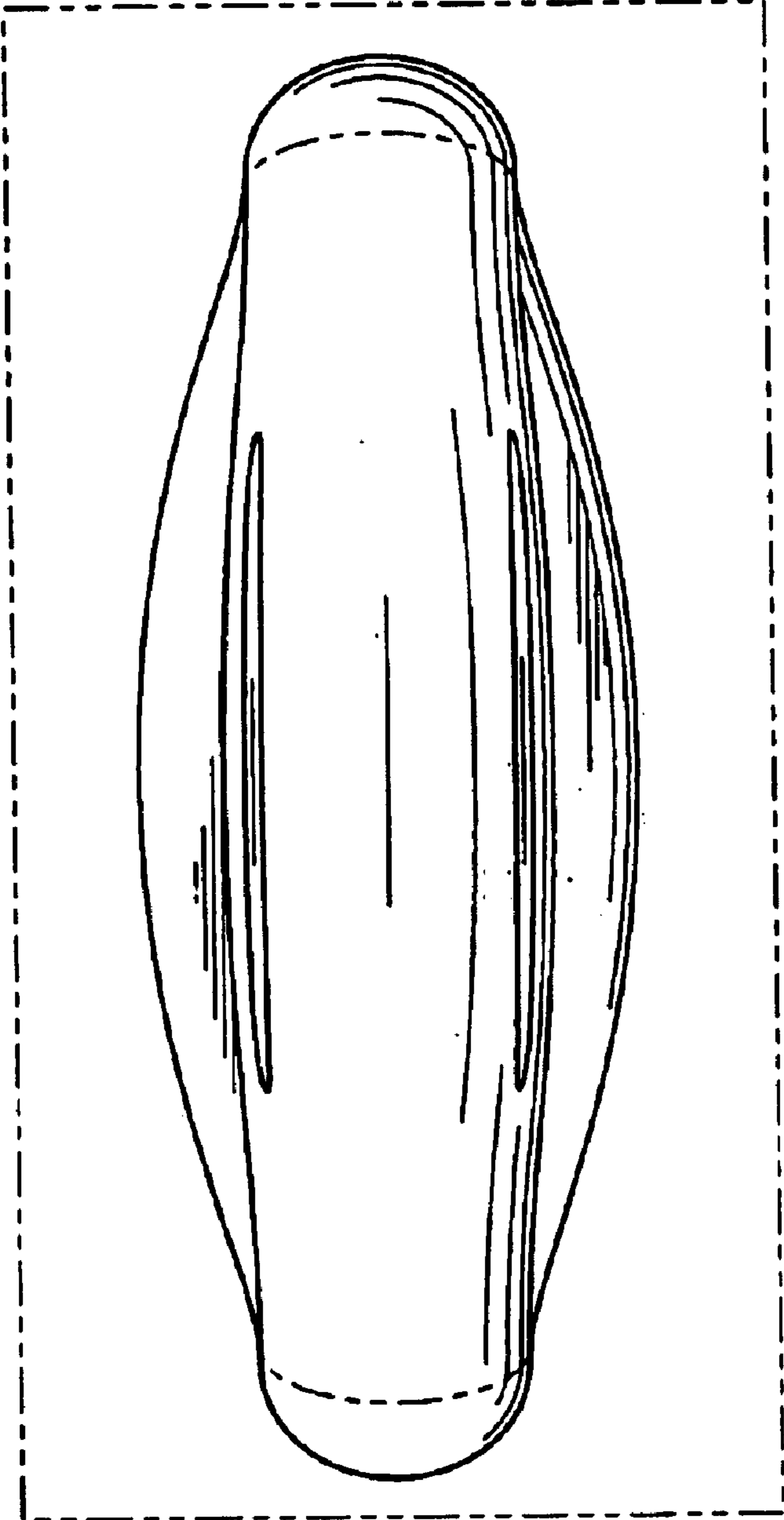


FIG. 5

