

US00D504600S

(12) **United States Design Patent**  
**Falt et al.**

(10) **Patent No.:** **US D504,600 S**

(45) **Date of Patent:** **\*\* May 3, 2005**

(54) **SPHERICAL BODY BOTTLE OPENER**

D479,966 S \* 9/2003 Falt et al. .... D8/38  
D480,284 S \* 10/2003 Falt et al. .... D8/38  
D486,045 S \* 2/2004 Falt et al. .... D8/38

(76) Inventors: **Douglas C. Falt**, P.O. Box 2208  
Arabian Pl., Corona, CA (US) 92879;  
**Layne M. Barry**, P.O. Box 2208  
Arabian Pl., Corona, CA (US) 92879

\* cited by examiner

*Primary Examiner*—Caron D. Veynar

(74) *Attorney, Agent, or Firm*—Jan P. Weir

(\*\*) Term: **14 Years**

(57) **CLAIM**

(21) Appl. No.: **29/188,432**

The ornamental design for the spherical body bottle opener,  
as shown and described.

(22) Filed: **Aug. 18, 2003**

(51) **LOC (7) Cl.** ..... **07-99**

(52) **U.S. Cl.** ..... **D8/40**

(58) **Field of Search** ..... D8/33-43; 7/151-156;  
30/400-450, 141; 81/3.07-3.15, 3.4-3.55

**DESCRIPTION**

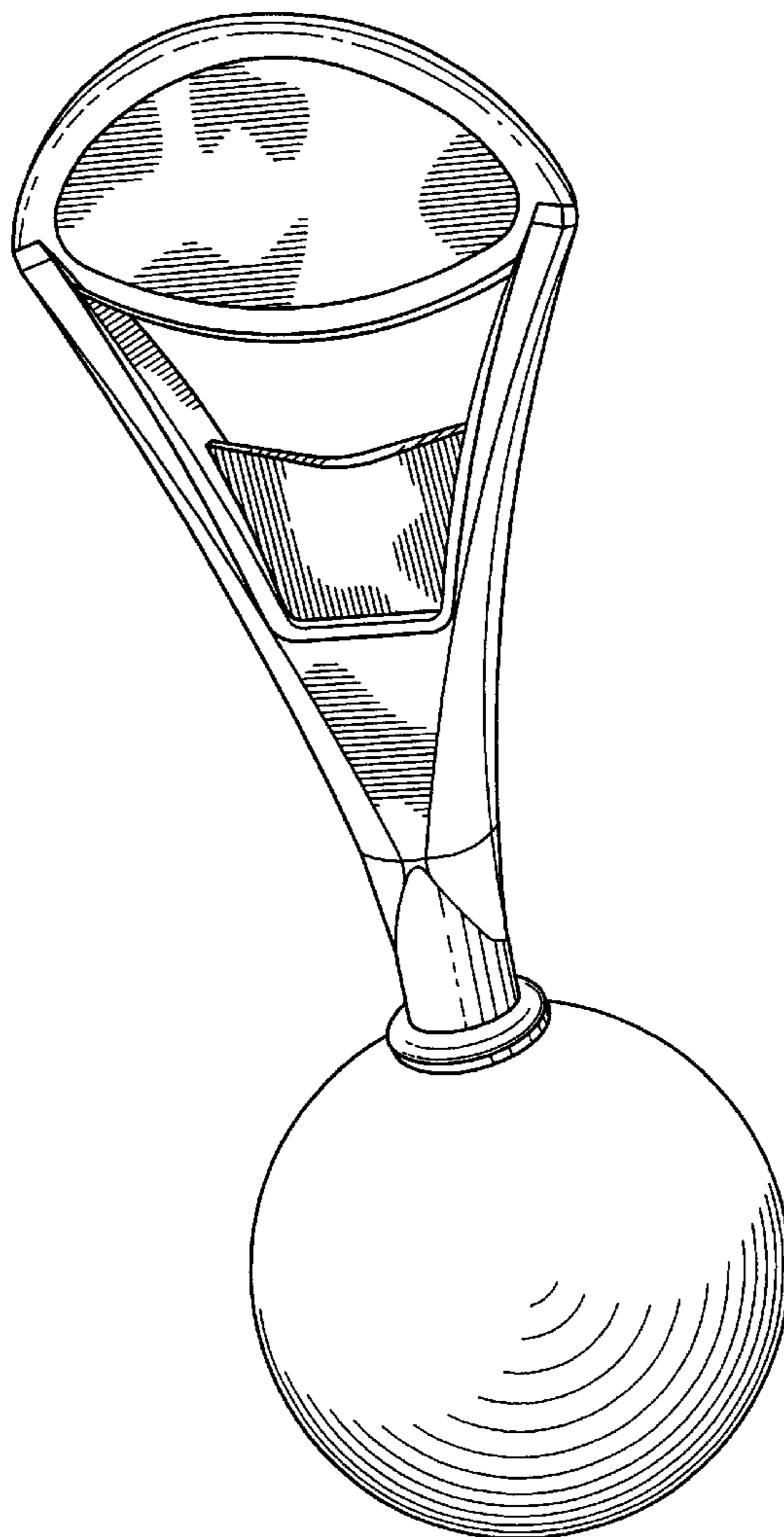
FIG. 1 is a front perspective view of a spherical body bottle opener showing our new design;  
FIG. 2 is a side view thereof;  
FIG. 3 is a front plan view of thereof; and,  
FIG. 4 is a top view thereof.

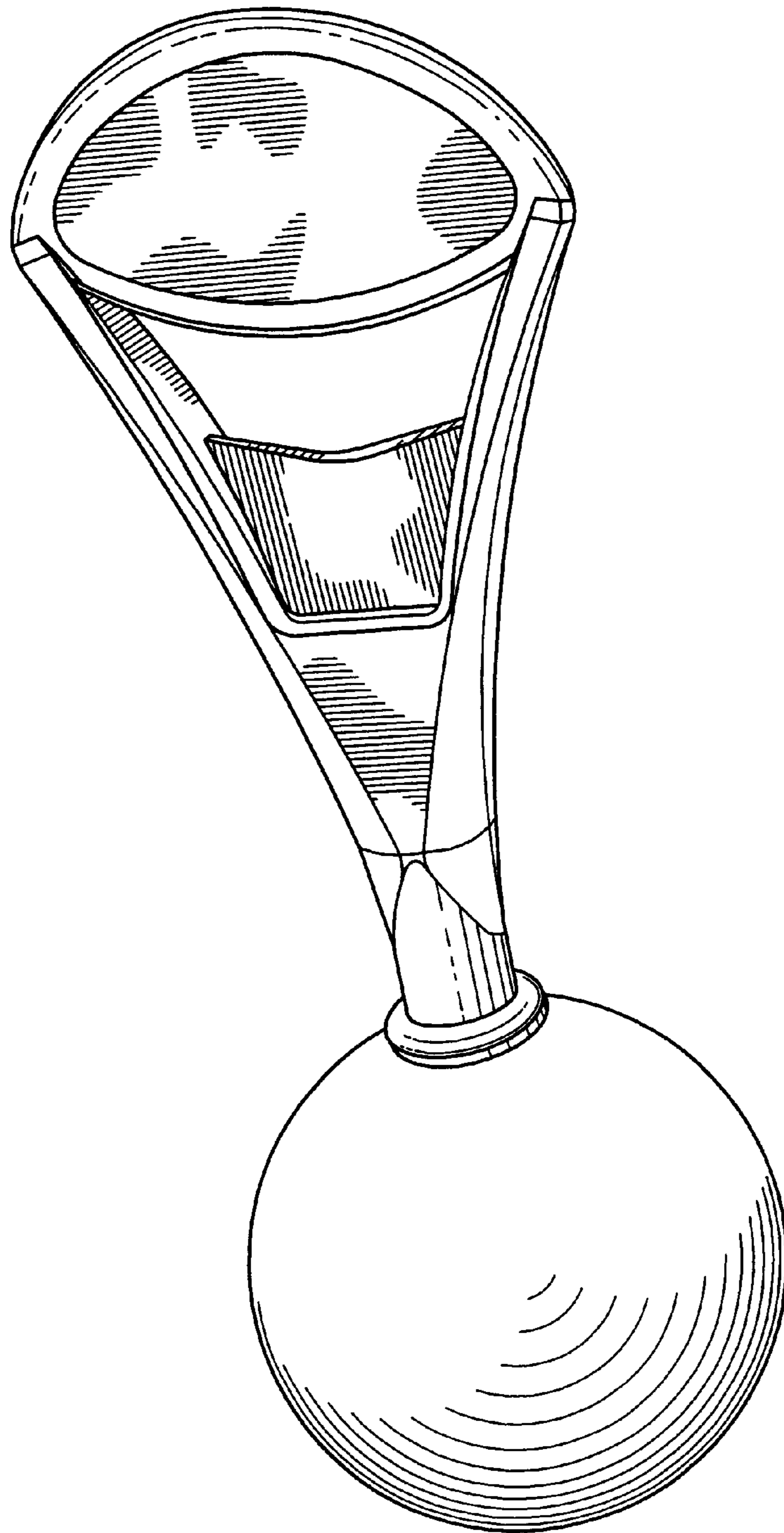
(56) **References Cited**

**U.S. PATENT DOCUMENTS**

3,473,221 A \* 10/1969 Flanders ..... 30/141

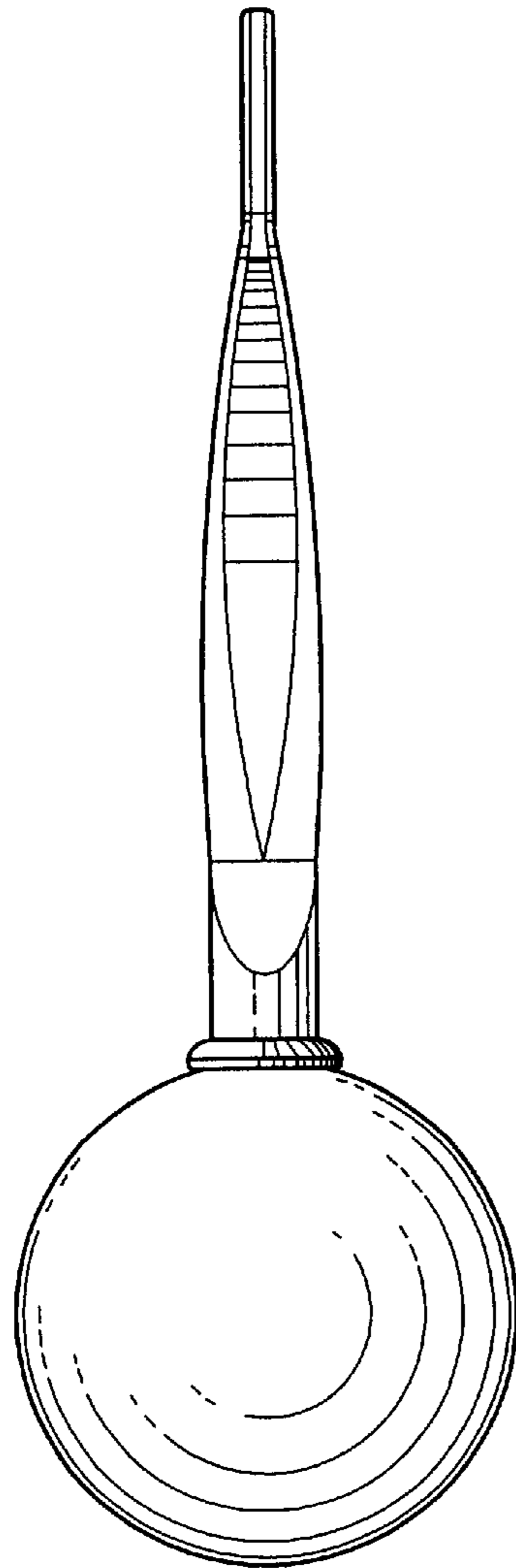
**1 Claim, 2 Drawing Sheets**



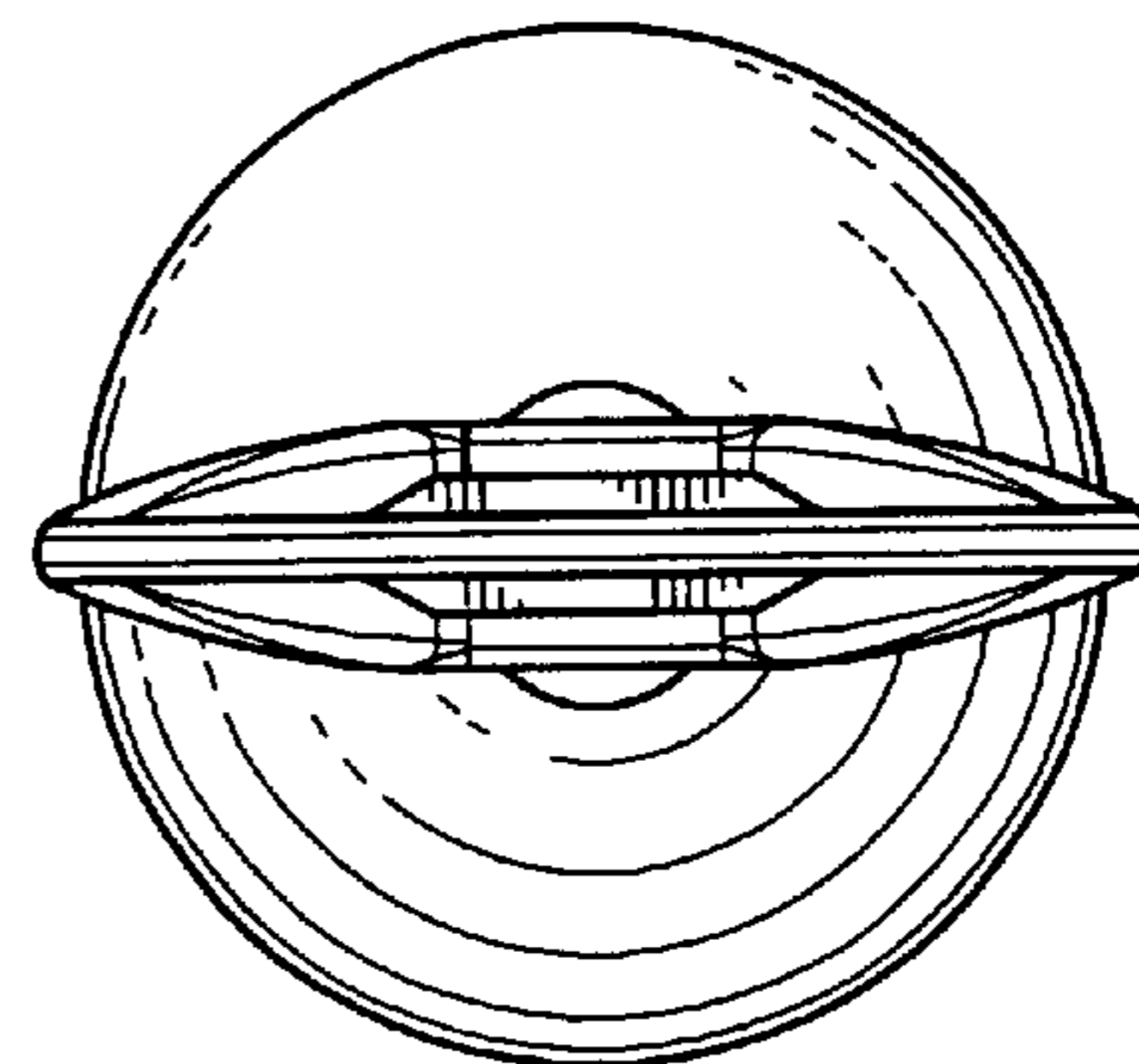
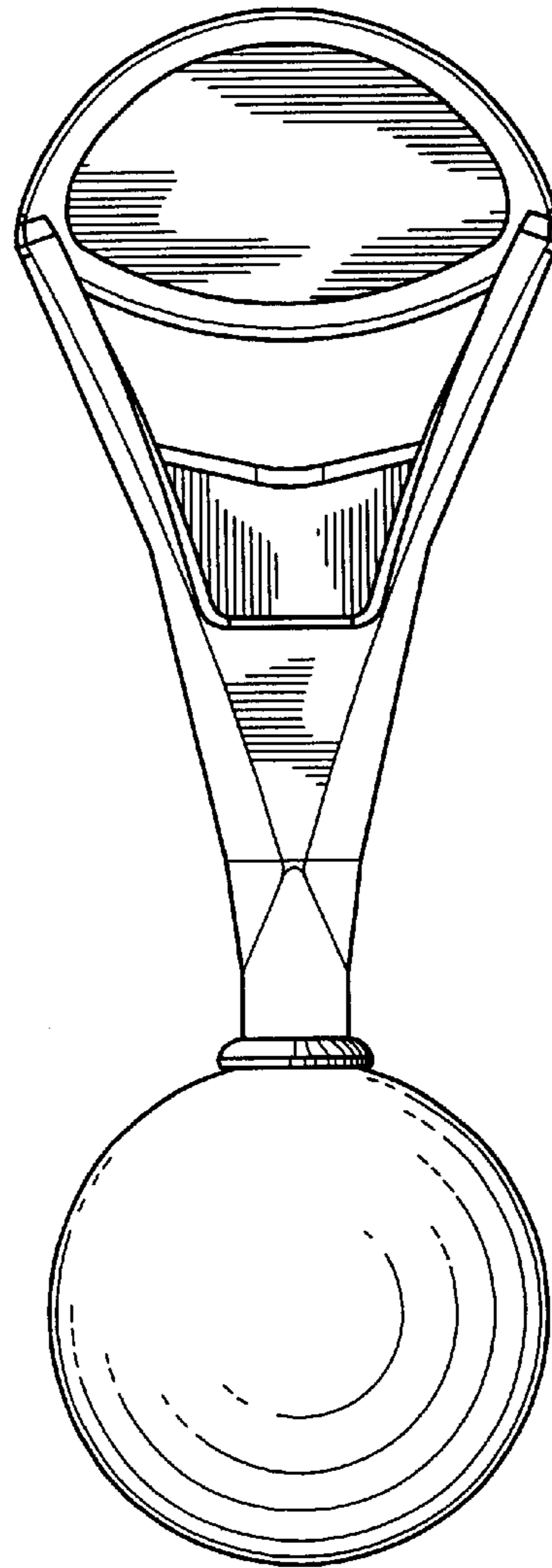


*FIG. 1*

*FIG. 3*



*FIG. 2*



*FIG. 4*