

US00D504599S

(12) **United States Design Patent**
Kelleghan

(10) **Patent No.:** **US D504,599 S**

(45) **Date of Patent:** **** May 3, 2005**

(54) **SAW SHAPED BOTTLE OPENER**

D277,589 S * 2/1985 Daugherty D21/532
D417,379 S * 12/1999 Bidstrup et al. D8/97

(75) Inventor: **Brian James Kelleghan**, Longmont,
CO (US)

* cited by examiner

(73) Assignee: **Bison Designs, L.L.C.**, Longmont, CO
(US)

Primary Examiner—Caron D. Veynar
(74) *Attorney, Agent, or Firm*—Margaret Polson; Patent
Law Offices of Rick Martin, P.C.

(**) Term: **14 Years**

(57) **CLAIM**

(21) Appl. No.: **29/197,757**

The ornamental design for a saw shaped bottle opener, as
shown and described.

(22) Filed: **Jan. 19, 2004**

DESCRIPTION

(51) **LOC (7) Cl.** **07-99**

FIG. 1 is a plan view of the top and bottom side, which are
mirror images, of my new design for a saw shaped bottle
opener.

(52) **U.S. Cl.** **D8/38**

FIG. 2 is a right side elevation view of FIG. 1.

(58) **Field of Search** D8/14, 16, 18,
D8/19, 33-43, 95, 97; 7/116, 148, 149,
151-158; 30/400-443; 81/3.07-3.57; D21/532

FIG. 3 is a left side elevation view of FIG. 1.

FIG. 4 is a back side elevation view of FIG. 1.

FIG. 5 is a front side elevation view of FIG. 1; and,

FIG. 6 is a top perspective view of FIG. 1.

(56) **References Cited**

U.S. PATENT DOCUMENTS

805,486 A 11/1905 Rosenheimer 7/151

1 Claim, 1 Drawing Sheet

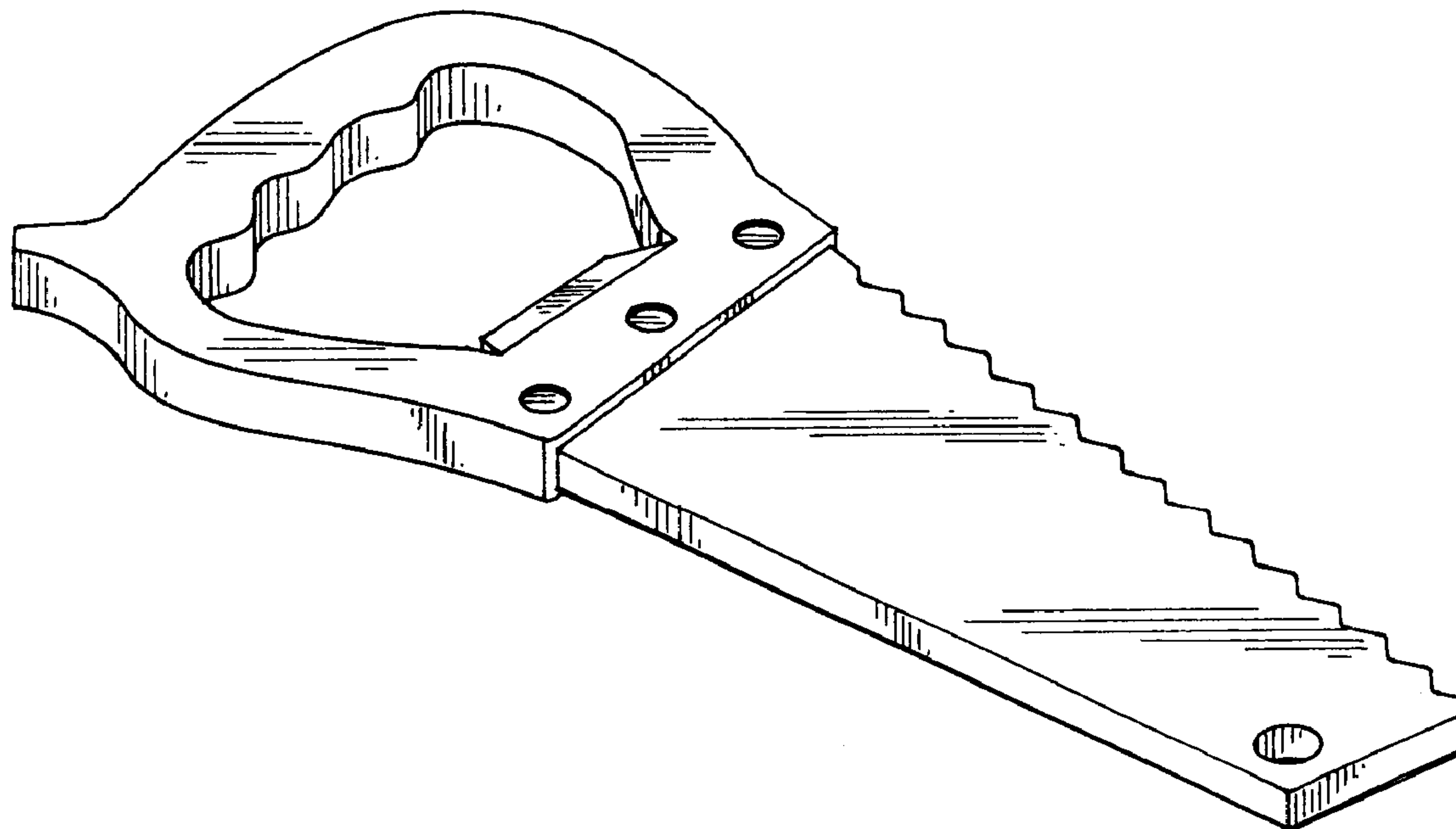




FIG. 4



FIG. 2

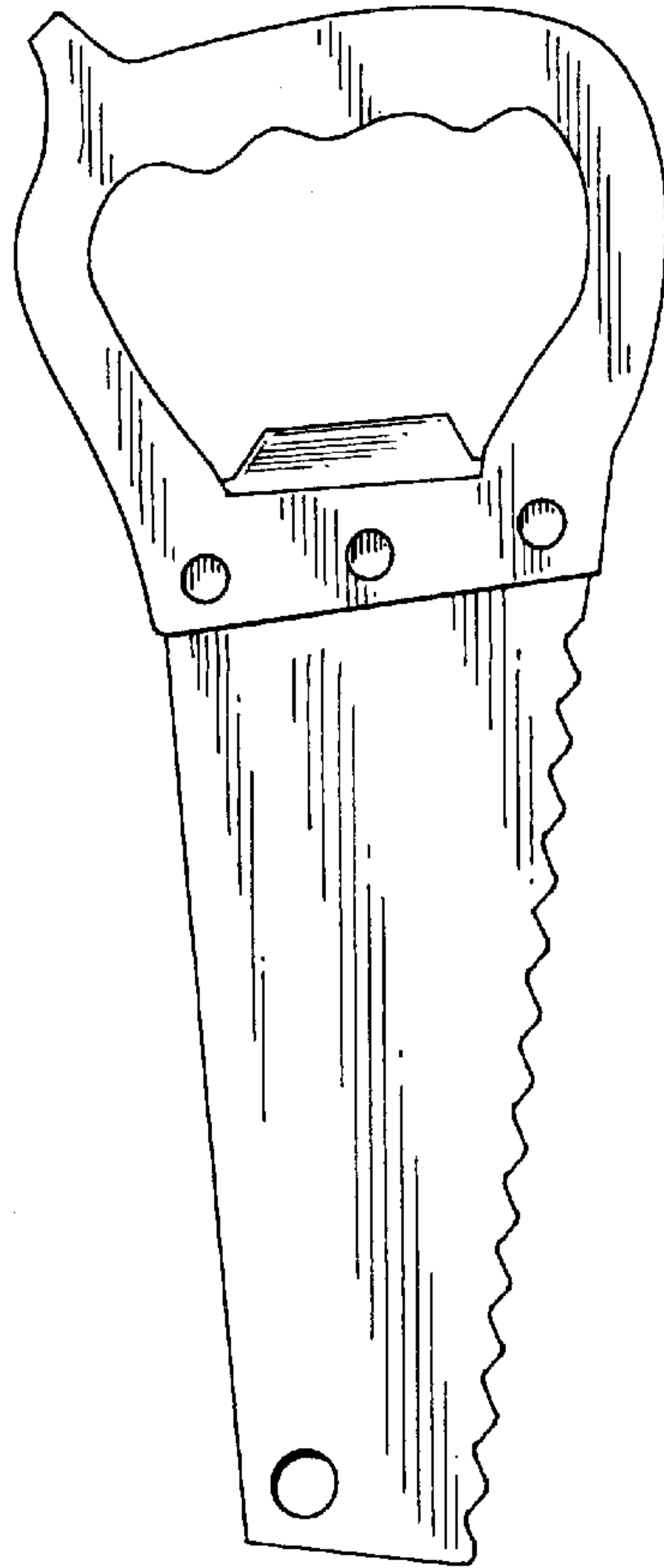


FIG. 1



FIG. 3



FIG. 5

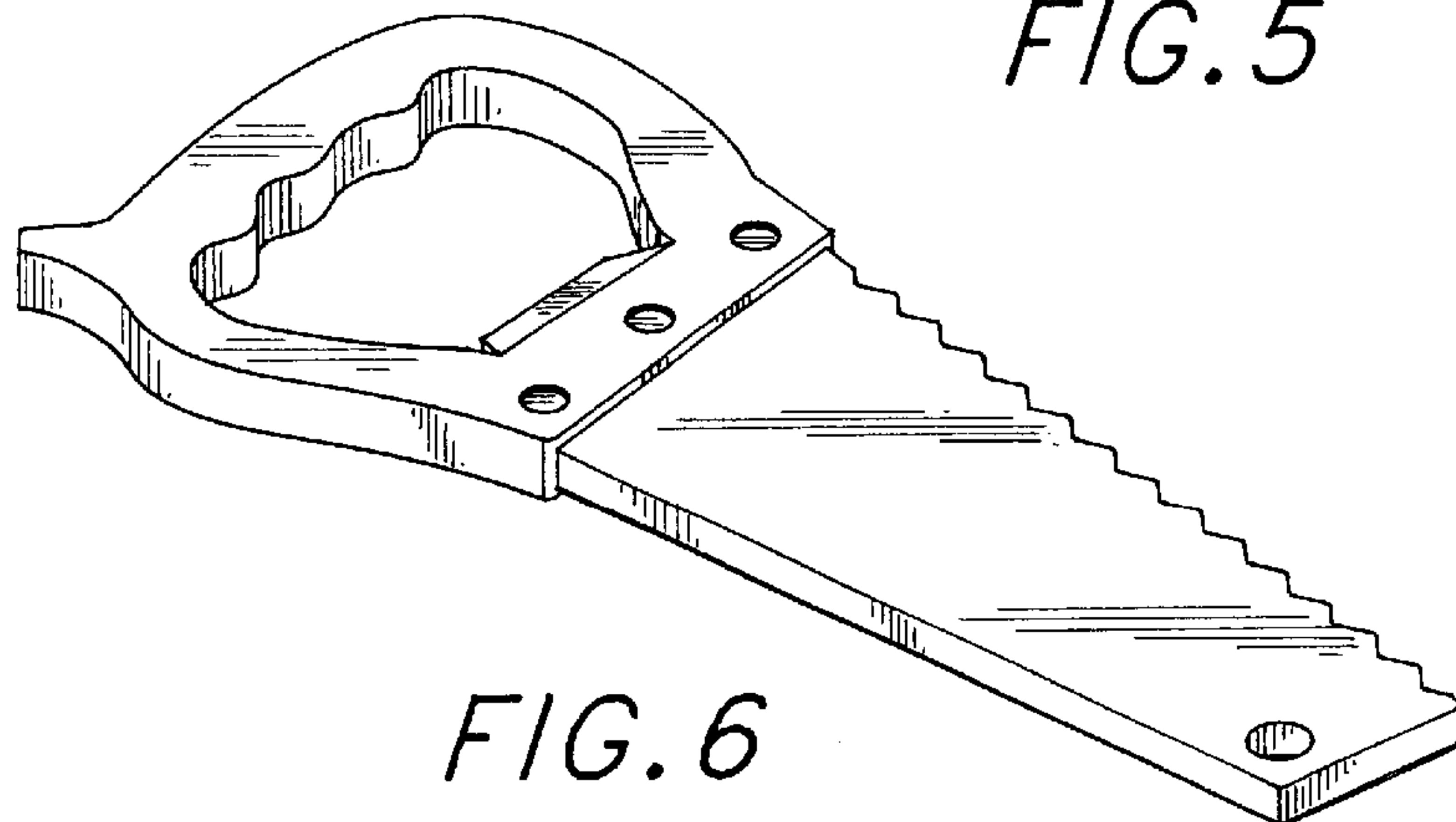


FIG. 6