



US00D504591S

(12) **United States Design Patent**
Spencer

(10) **Patent No.: US D504,591 S**

(45) **Date of Patent: ** May 3, 2005**

(54) **IN-WALL COFFEE MAKER**

(76) **Inventor: William L. Spencer**, 159 Hale-Barber Rd., Kelso, WA (US) 98626

(**) **Term: 14 Years**

(21) **Appl. No.: 29/209,690**

(22) **Filed: Jul. 19, 2004**

Related U.S. Application Data

(63) Continuation of application No. 10/239,973, filed as application No. PCT/US01/09630 on Mar. 26, 2001, which is a continuation-in-part of application No. 09/537,973, filed on Mar. 28, 2000, now Pat. No. 6,253,663.

(51) **LOC (7) Cl. 07-01**

(52) **U.S. Cl. D7/309; D7/311**

(58) **Field of Search D7/300, 309, 310, D7/311, 305, 306; 99/279, 290, 288, 300, 305, 304, 306, 307, 284, 295, 293; 248/273**

(56) **References Cited**

U.S. PATENT DOCUMENTS

- 4,644,856 A * 2/1987 Borgmann 99/295
- 4,800,805 A * 1/1989 Mahlich et al. 99/293
- D323,949 S * 2/1992 Kahlcke D7/309
- D336,207 S * 6/1993 Brookshire D7/309
- D339,499 S * 9/1993 Seiffert D7/309

- D345,279 S * 3/1994 Sieger D7/309
- D355,562 S * 2/1995 DeFelip D7/309
- D390,742 S * 2/1998 Sander D7/309
- D414,371 S * 9/1999 Seiffert D7/309
- D418,357 S * 1/2000 Lin D7/309
- D424,361 S * 5/2000 Kuboyama D7/309
- D453,656 S * 2/2002 Byler et al. D7/309
- D457,375 S * 5/2002 Picozza et al. D7/309
- D486,345 S * 2/2004 Schwamkrug D7/309

* cited by examiner

Primary Examiner—M. N. Pandozzi

(74) *Attorney, Agent, or Firm*—Marger Johnson & McCollom, P.C.

(57) **CLAIM**

The ornamental design for in-wall coffee maker, as shown and described.

DESCRIPTION

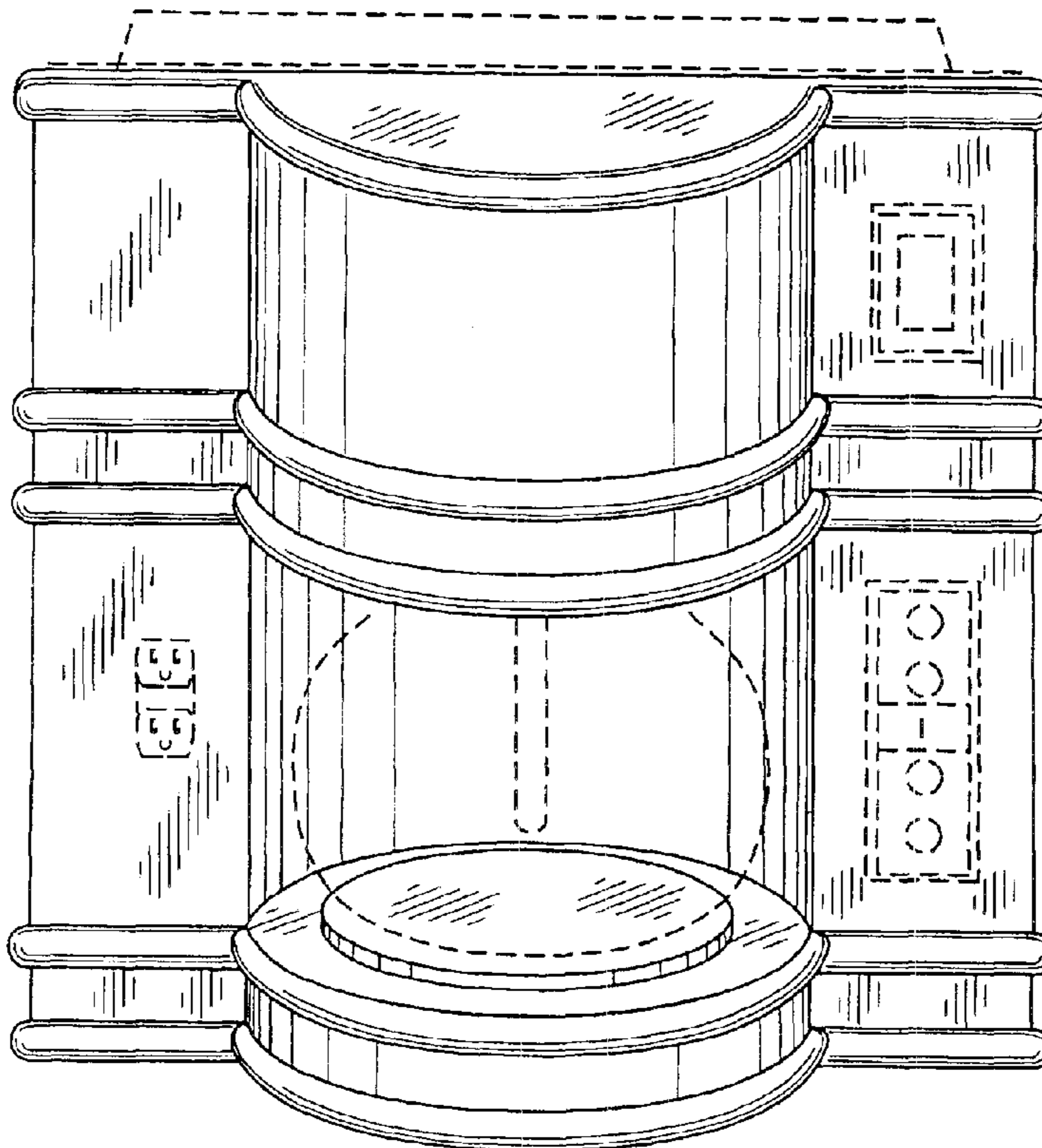
FIG. 1 is a front perspective view of an in-wall coffee maker showing my new design;

FIG. 2 is a right side elevation view of the coffee maker of FIG. 1, the left side elevation being substantially a mirror image thereof; and,

FIG. 3 is a top plan view of the coffee maker of FIG. 1.

The broken lines in the drawings are for illustrative purposes only and form no part of the claimed design.

1 Claim, 2 Drawing Sheets



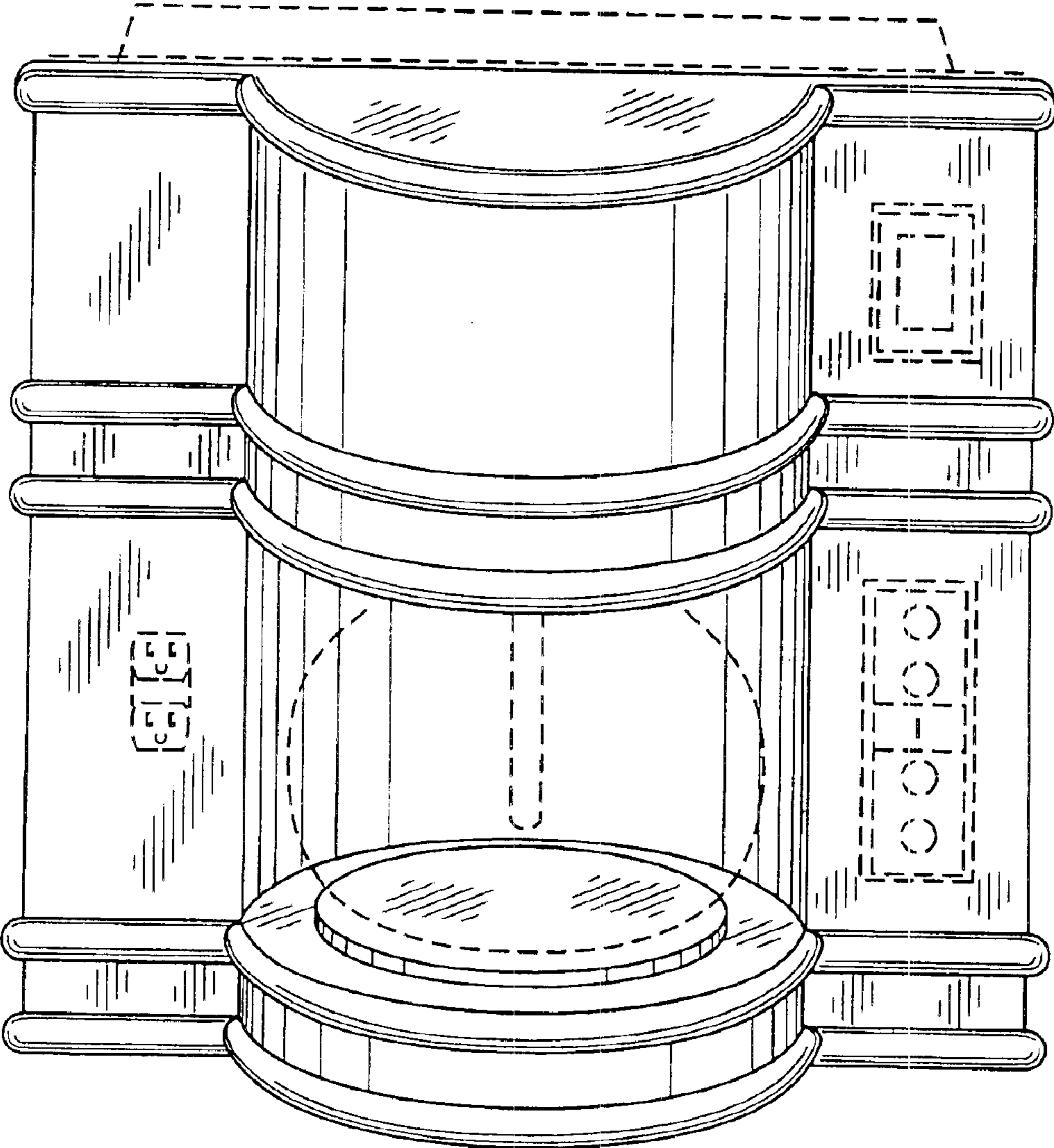


FIG. 1

FIG. 2

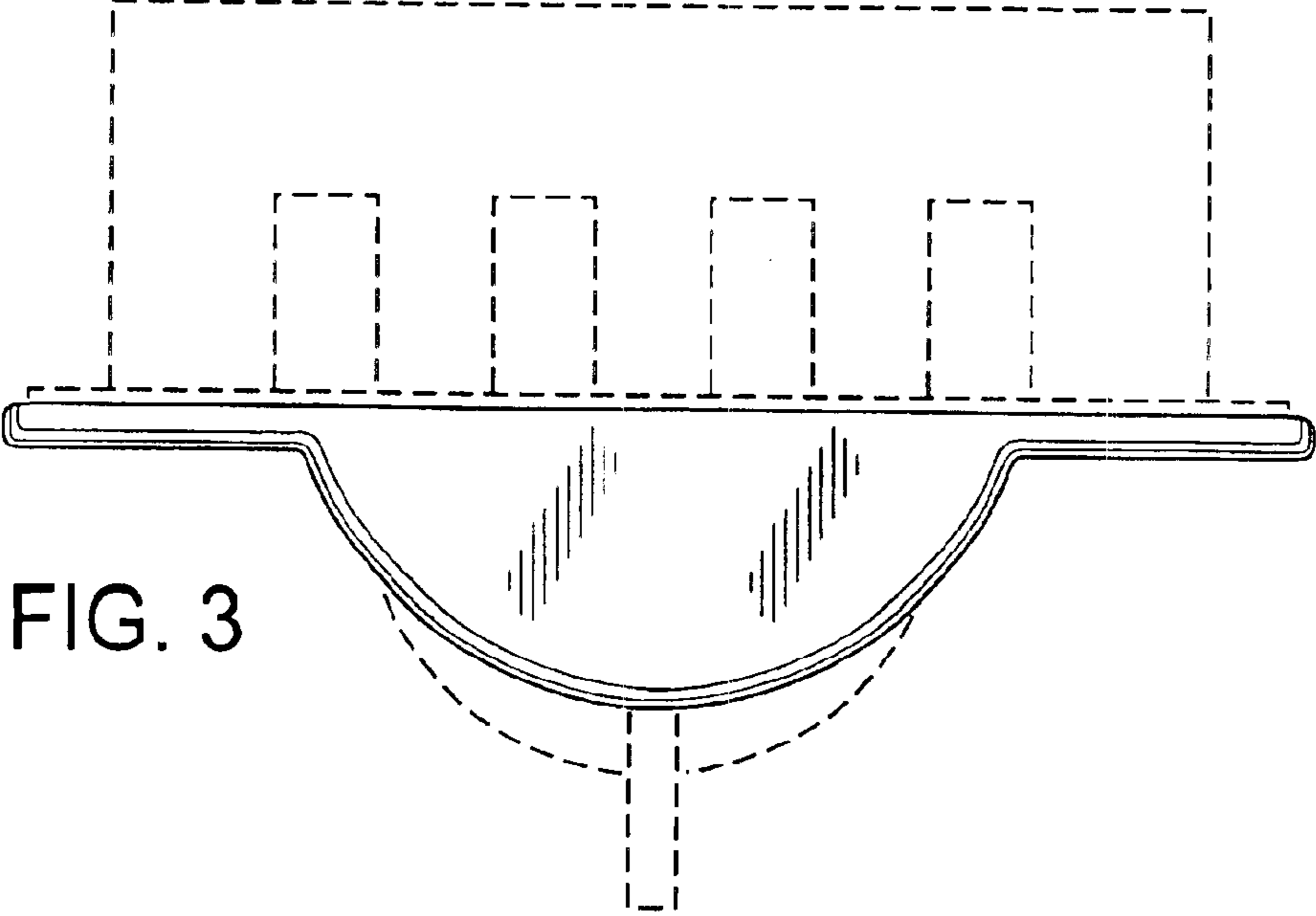
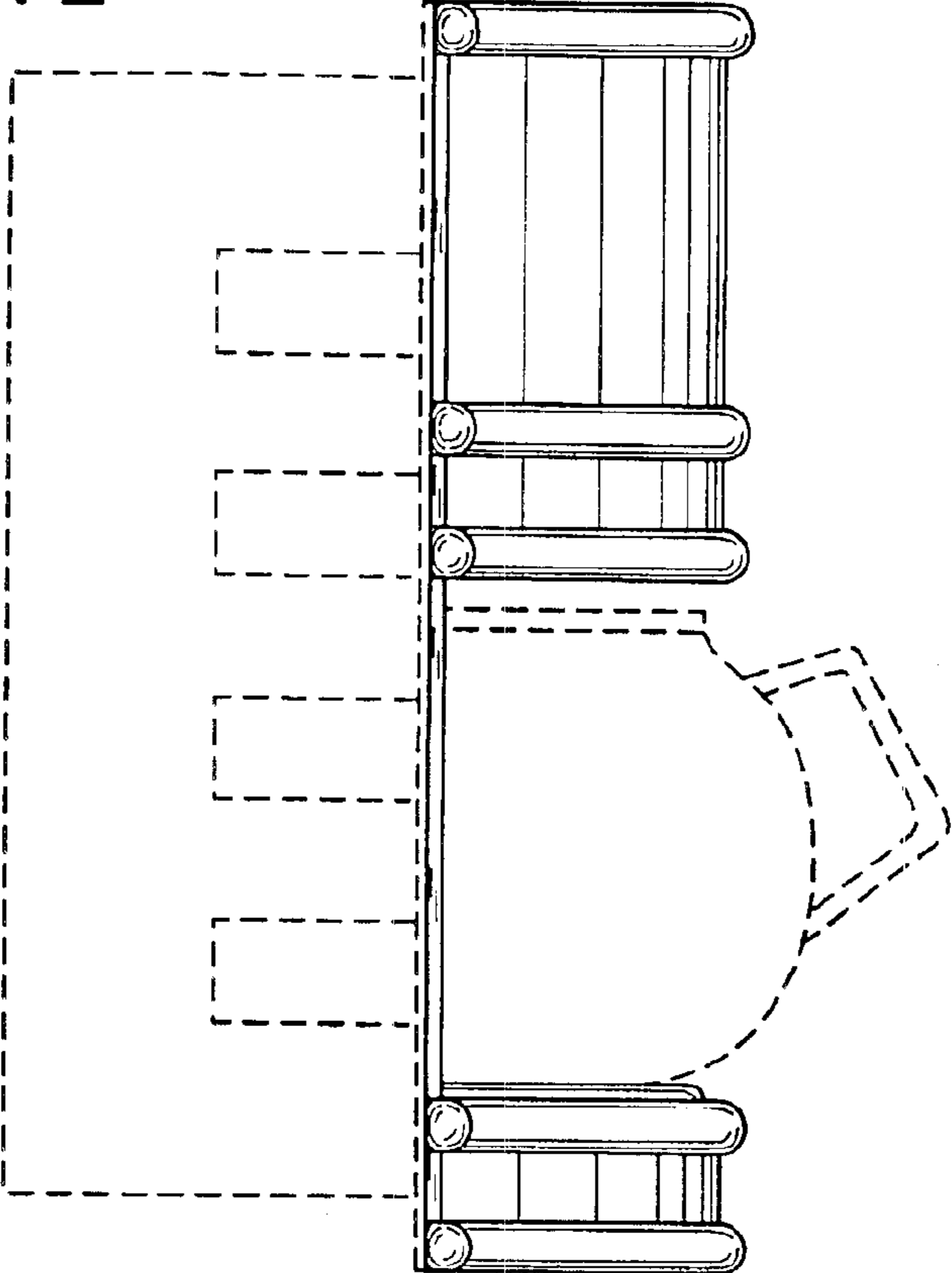


FIG. 3