

US00D504589S

(12) **United States Design Patent**  
**Sudano**

(10) **Patent No.:** **US D504,589 S**

(45) **Date of Patent:** **\*\* May 3, 2005**

(54) **WINDOW VALANCE TRIM ELEMENT**

D418,352 S \* 1/2000 Cadorette ..... D6/580  
D418,353 S \* 1/2000 Cadorette ..... D6/580  
D419,022 S \* 1/2000 Cadorette ..... D6/580

(75) **Inventor:** **Angelo Sudano, Boisbriand (CA)**

(73) **Assignee:** **Royal Window Coverings (Canada) Inc., Boisbriand (CA)**

\* cited by examiner

*Primary Examiner*—Holly Baynham

(\*\*) **Term:** **14 Years**

(57) **CLAIM**

(21) **Appl. No.:** **29/202,507**

An ornamental design for a window valance trim element, as shown and described.

(22) **Filed:** **Apr. 1, 2004**

(51) **LOC (7) Cl.** ..... **06-10**

(52) **U.S. Cl.** ..... **D6/580**

(58) **Field of Search** ..... D6/580; D25/119-123;  
160/349.1, 349.2; 52/782.2

**DESCRIPTION**

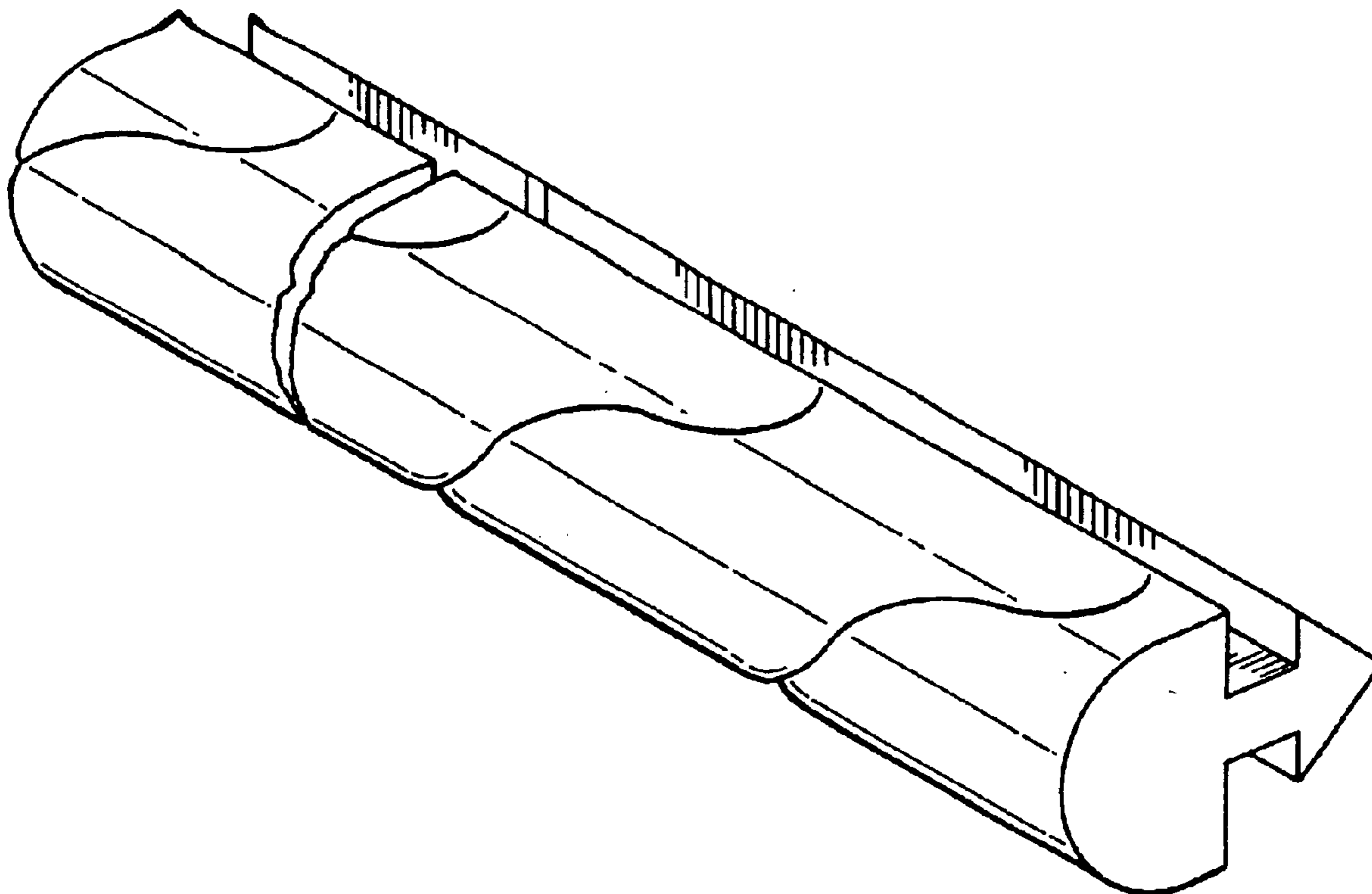
FIG. 1 is a perspective view of the first embodiment of a window valance trim element; and, FIG. 2 is an environmental perspective view of a second embodiment of the design shown in FIG. 1, with the broken line showing of an I-beam being for illustrative purposes only and forming no part of the claimed design.

(56) **References Cited**

**U.S. PATENT DOCUMENTS**

2,705,820 A \* 4/1955 Torrence ..... 52/782.2

**1 Claim, 1 Drawing Sheet**



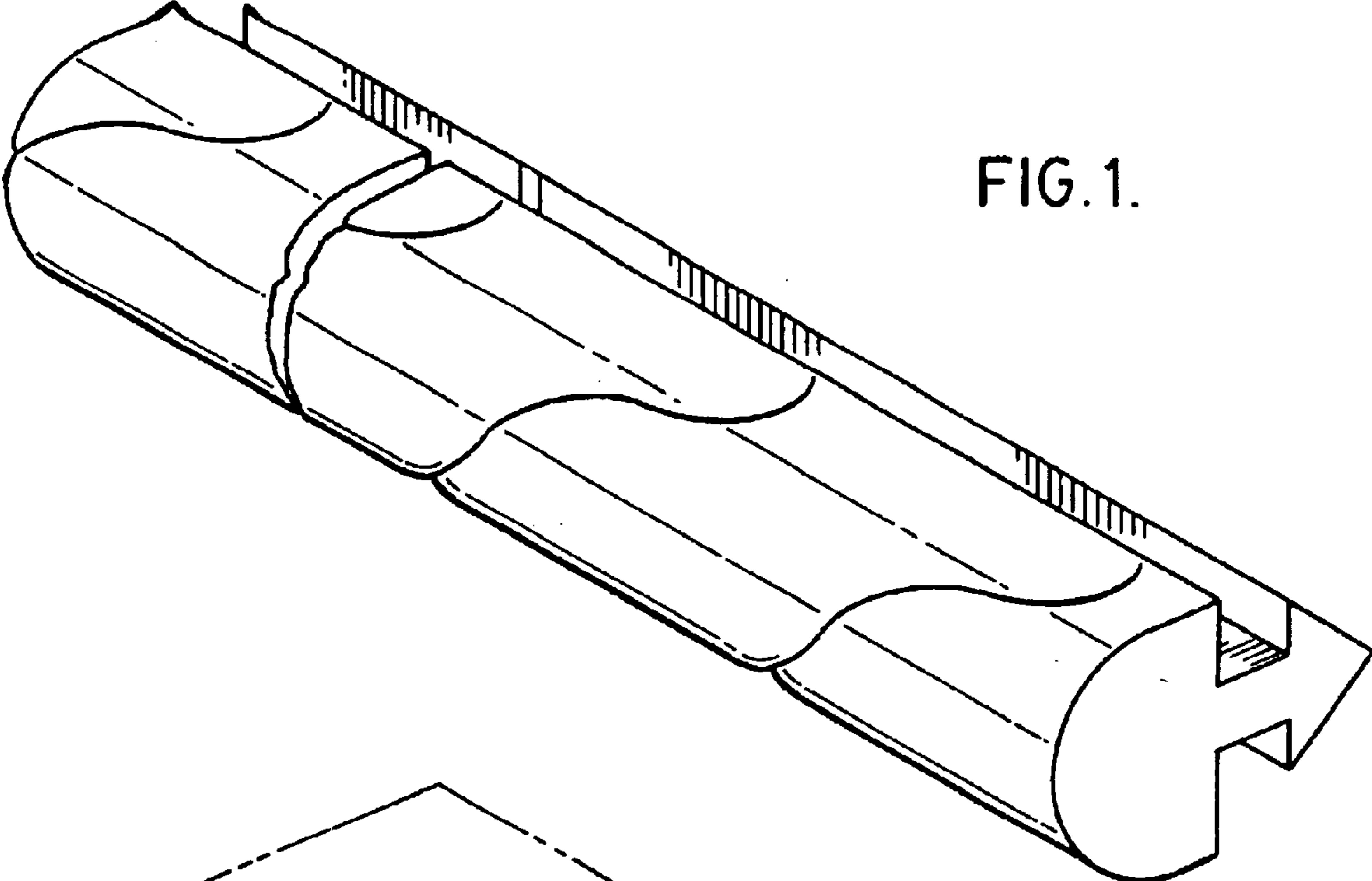


FIG. 1.

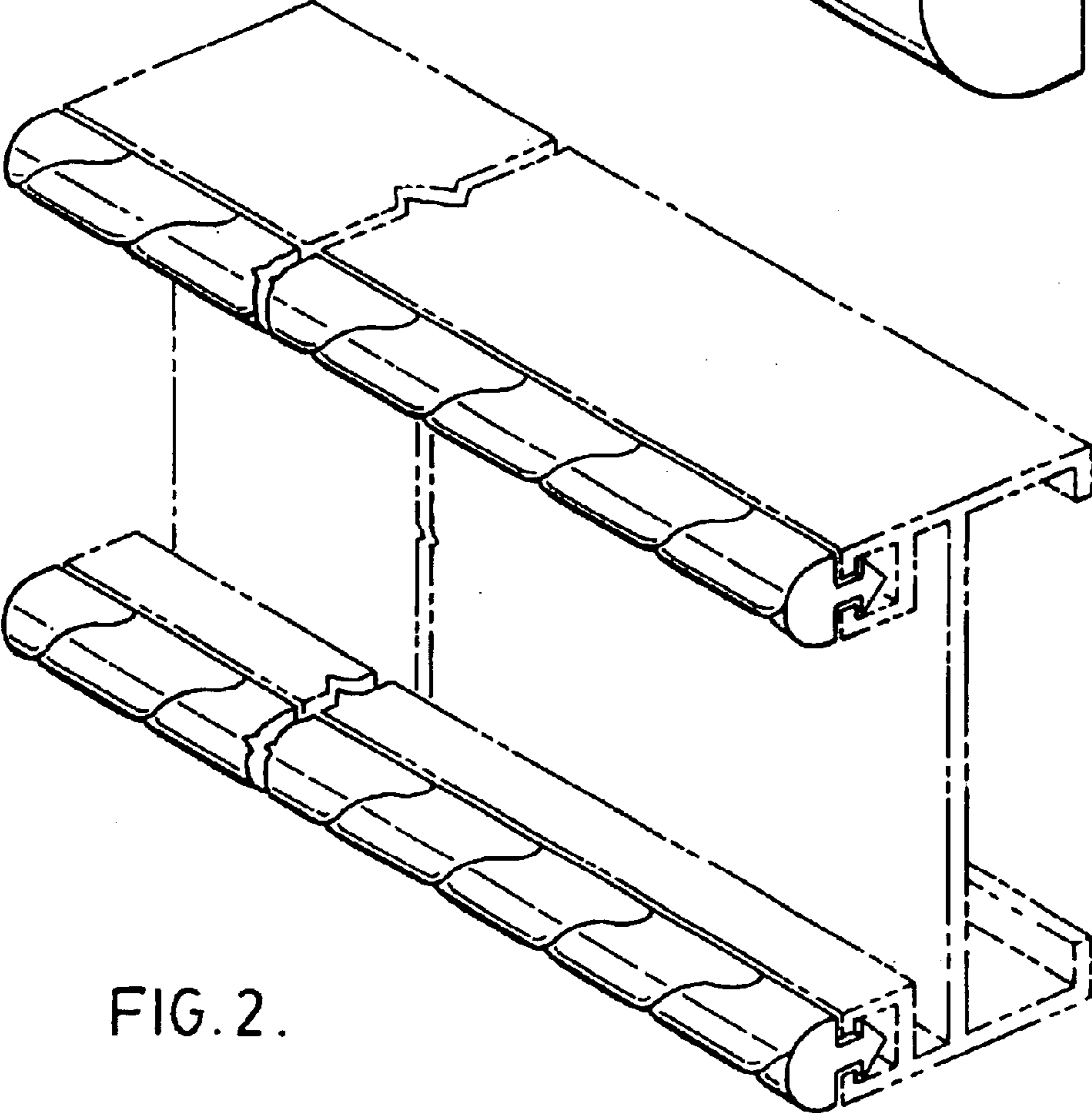


FIG. 2.