

US00D504586S

(12) **United States Design Patent** (10) **Patent No.:** **US D504,586 S**  
**Rafoth et al.** (45) **Date of Patent:** **\*\* May 3, 2005**

- (54) **CEILING RACK FOR POTS, PANS AND UTENSILS**
- (75) Inventors: **Steven F. Rafoth**, Port Townsend, WA (US); **John J. Rodrigues**, Port Townsend, WA (US)
- (73) Assignee: **Enclume Design Product, Inc.**, Port Hadlock, WA (US)
- (\*\*) Term: **14 Years**
- (21) Appl. No.: **29/204,352**
- (22) Filed: **Apr. 27, 2004**
- (51) **LOC (7) Cl.** ..... **06-06**
- (52) **U.S. Cl.** ..... **D6/513**
- (58) **Field of Search** ..... D6/512-514, 566; 211/13.1, 70.1, 70.6, 113, 71.01, 86.01, 119; 248/200, 302, 309.1, 317, 318, 339, 340, 343

(56) **References Cited**

**U.S. PATENT DOCUMENTS**

D243,489 S	3/1977	Moore
D282,995 S	3/1986	Beverly
4,714,166 A	12/1987	Hann et al.
D335,986 S	6/1993	Saffell
D353,502 S	12/1994	Liu
D359,644 S	6/1995	O'Briant et al.
D392,133 S	3/1998	Chen
D406,972 S	3/1999	McCoy
D408,666 S	4/1999	Sorensen et al.
D455,922 S	4/2002	Rafoth et al.
D458,071 S	6/2002	Hoernig
D468,942 S	1/2003	Rafoth et al.
D468,947 S	1/2003	Rafoth et al.
D469,286 S	1/2003	Rafoth et al.

**OTHER PUBLICATIONS**

Enclume Brochure depicting prior art ceiling racks. (Published prior to filing date).

Chantal Cookware Corp. brochure depicting prior art Chantal pot rack. (Published prior to filing date).

- U.S. Appl. No. 29/152,040, filed Dec. 10, 2001, by Rafoth et al.
- U.S. Appl. No. 29/198,831, filed Feb. 4, 2004, by Rafoth et al.
- U.S. Appl. No. 29/198,877, filed Feb. 4, 2004, by Rafoth et al.
- U.S. Appl. No. 29/204,353, filed Apr. 27, 2004, by Rafoth et al.
- U.S. Appl. No. 29/204,336, filed Apr. 27, 2004, by Rafoth et al.

*Primary Examiner*—Brian N Vinson  
(74) *Attorney, Agent, or Firm*—Klarquist Sparkman LLP

(57) **CLAIM**

The ornamental design for a ceiling rack for pots, pans and utensils, as shown and described.

**DESCRIPTION**

FIG. 1 is a perspective view of a ceiling rack in accordance with one embodiment, the optional mounting holes in the upper cross-piece portion of the ceiling rack are shown in dashed lines and form no part of the design.

FIG. 2 is an end view of the ceiling rack of FIG. 1 looking from the right side of FIG. 1, it being understood that the end view from the left side is a mirror image of the view shown in FIG. 2.

FIG. 3 is a top view of the ceiling rack of FIG. 1.

FIG. 4 is a first side view of the ceiling rack of FIG. 1.

FIG. 5 is a second side view of the ceiling rack of FIG. 1, the second side being opposite to the first side of FIG. 4.

FIG. 6 illustrates a bottom view of the ceiling rack of FIG. 1.

FIG. 7 is a perspective view of an alternative form of ceiling rack with a grid.

FIG. 8 is an end view of the ceiling rack of FIG. 7, looking from the right side of FIG. 7, it being understood that the end view from the left side of FIG. 7 is a mirror image of the view shown in FIG. 8.

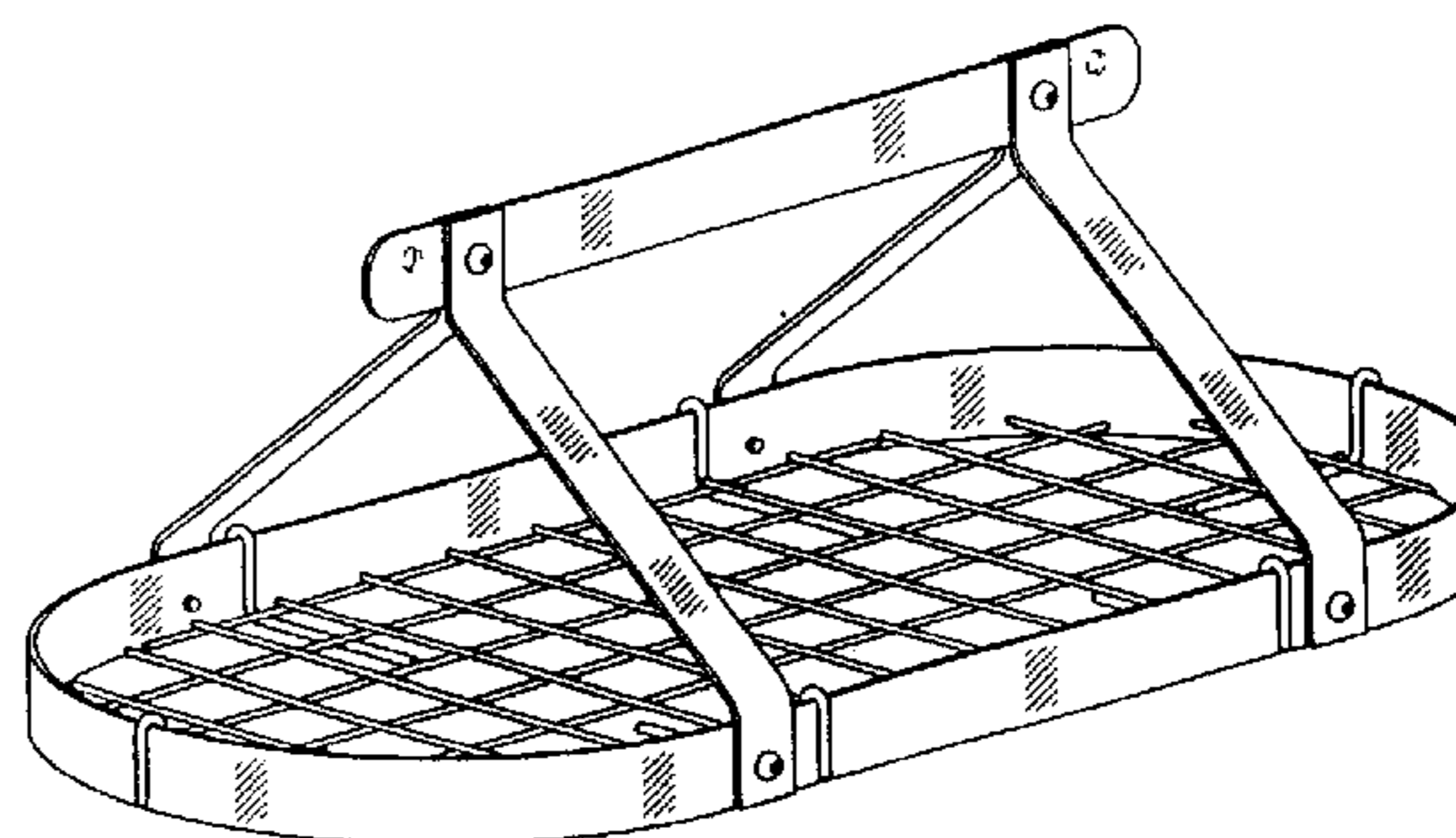
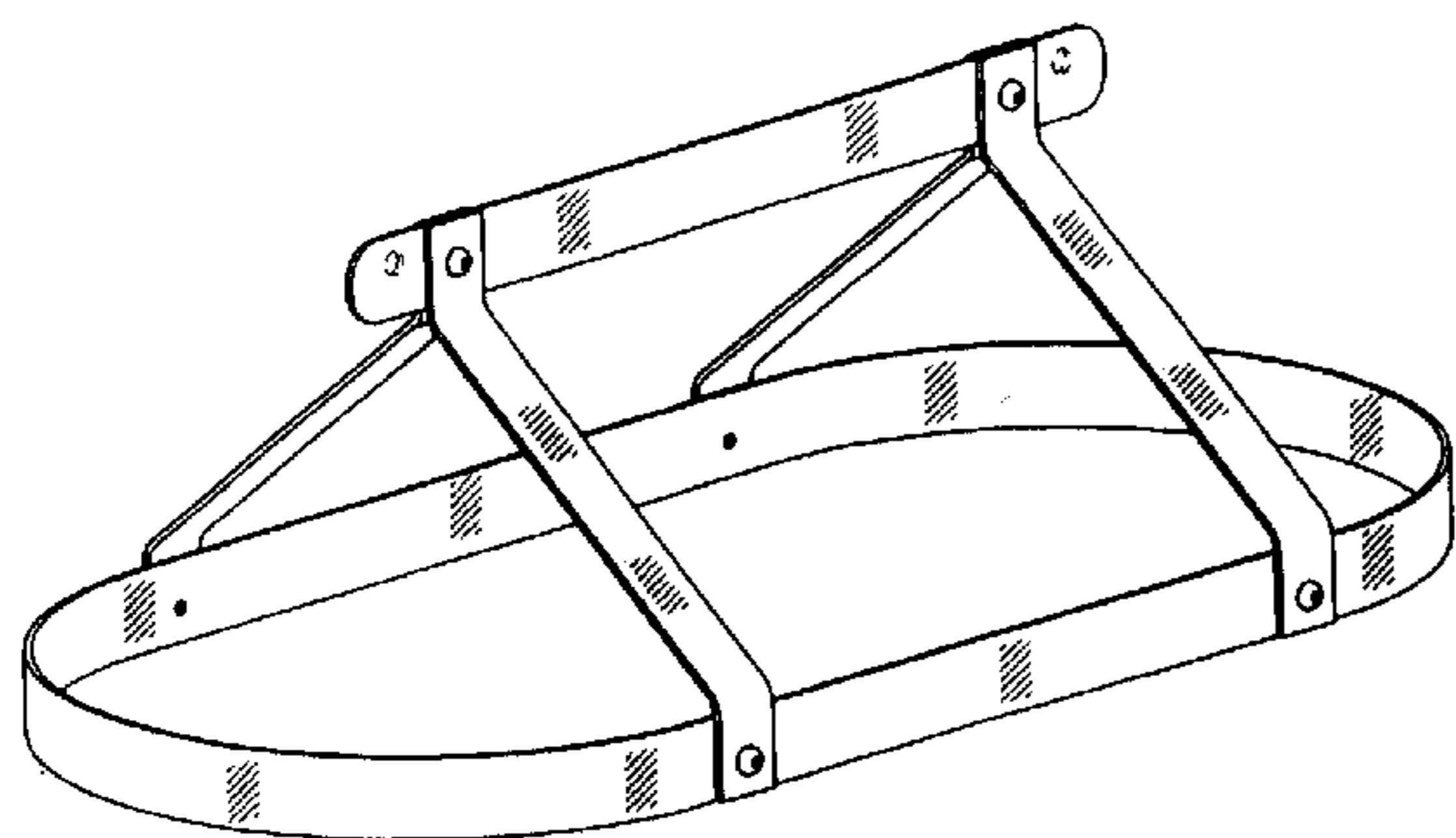
FIG. 9 is a top view of the ceiling rack of FIG. 7.

FIG. 10 is a first side view of the ceiling rack of FIG. 7.

FIG. 11 is a second side view of the ceiling rack of FIG. 7, the second side being opposite to the first side of FIG. 10; and,

FIG. 12 illustrates a bottom view of the ceiling rack of FIG. 7.

**1 Claim, 6 Drawing Sheets**



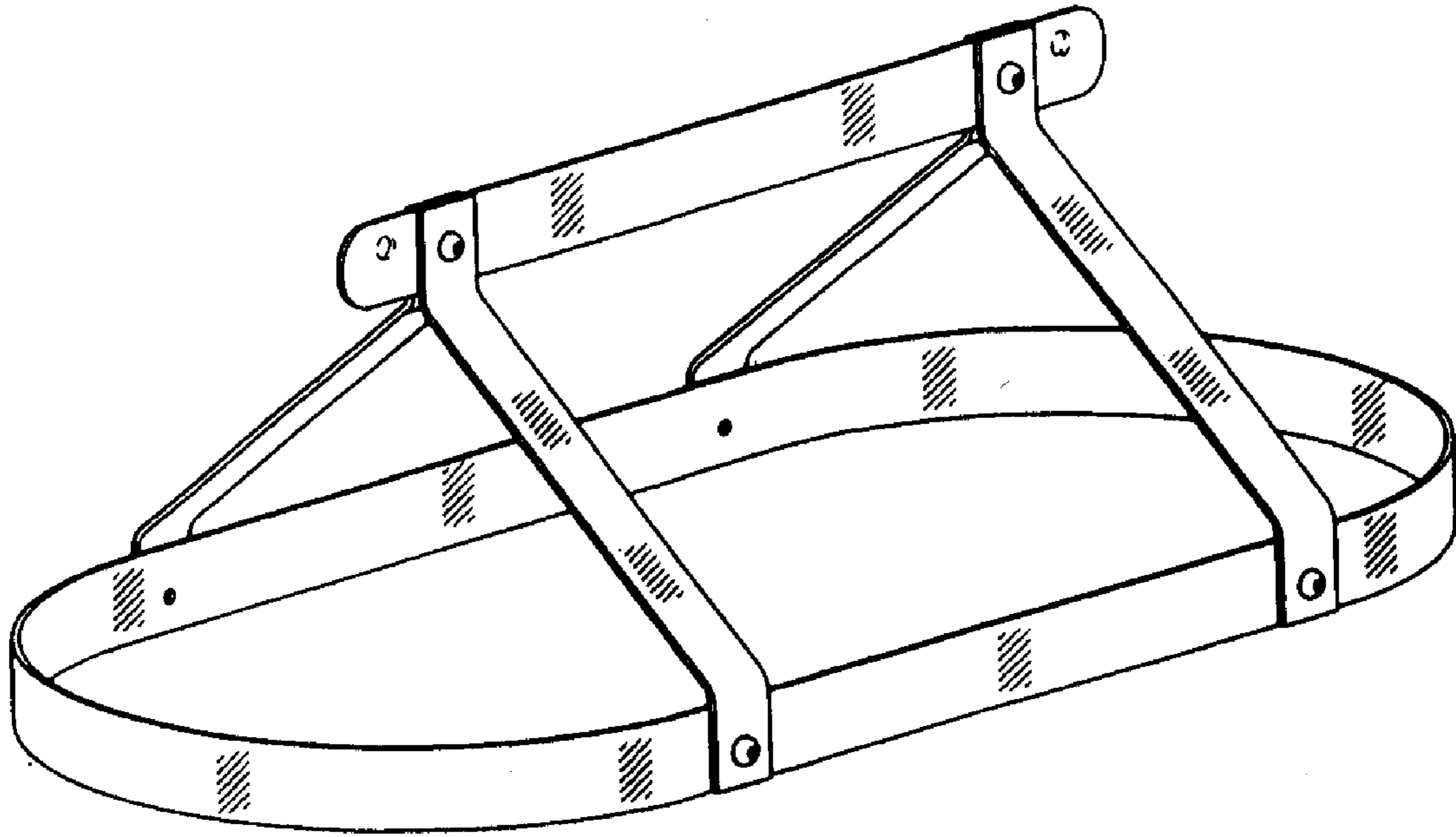


FIG. 1

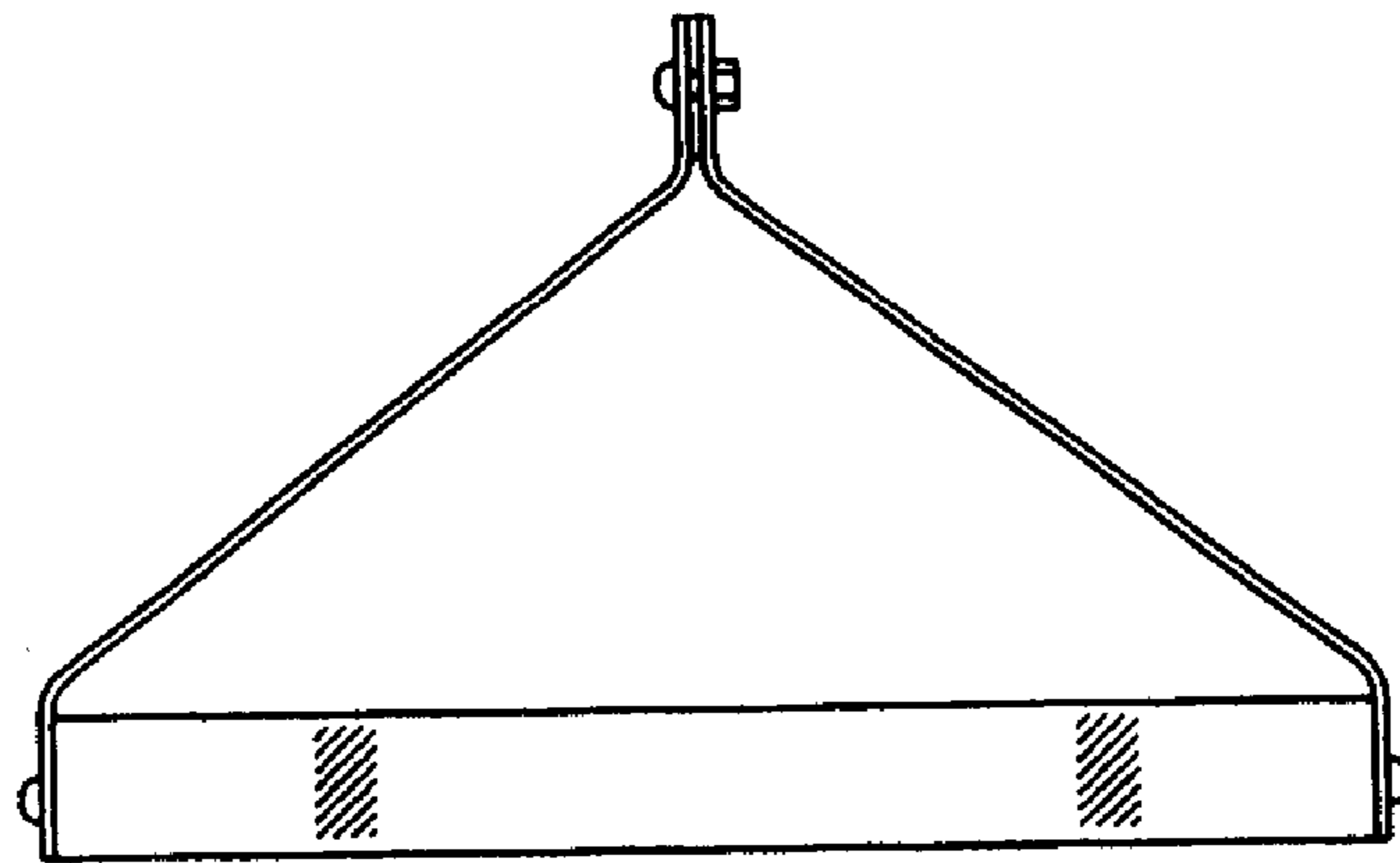


FIG. 2

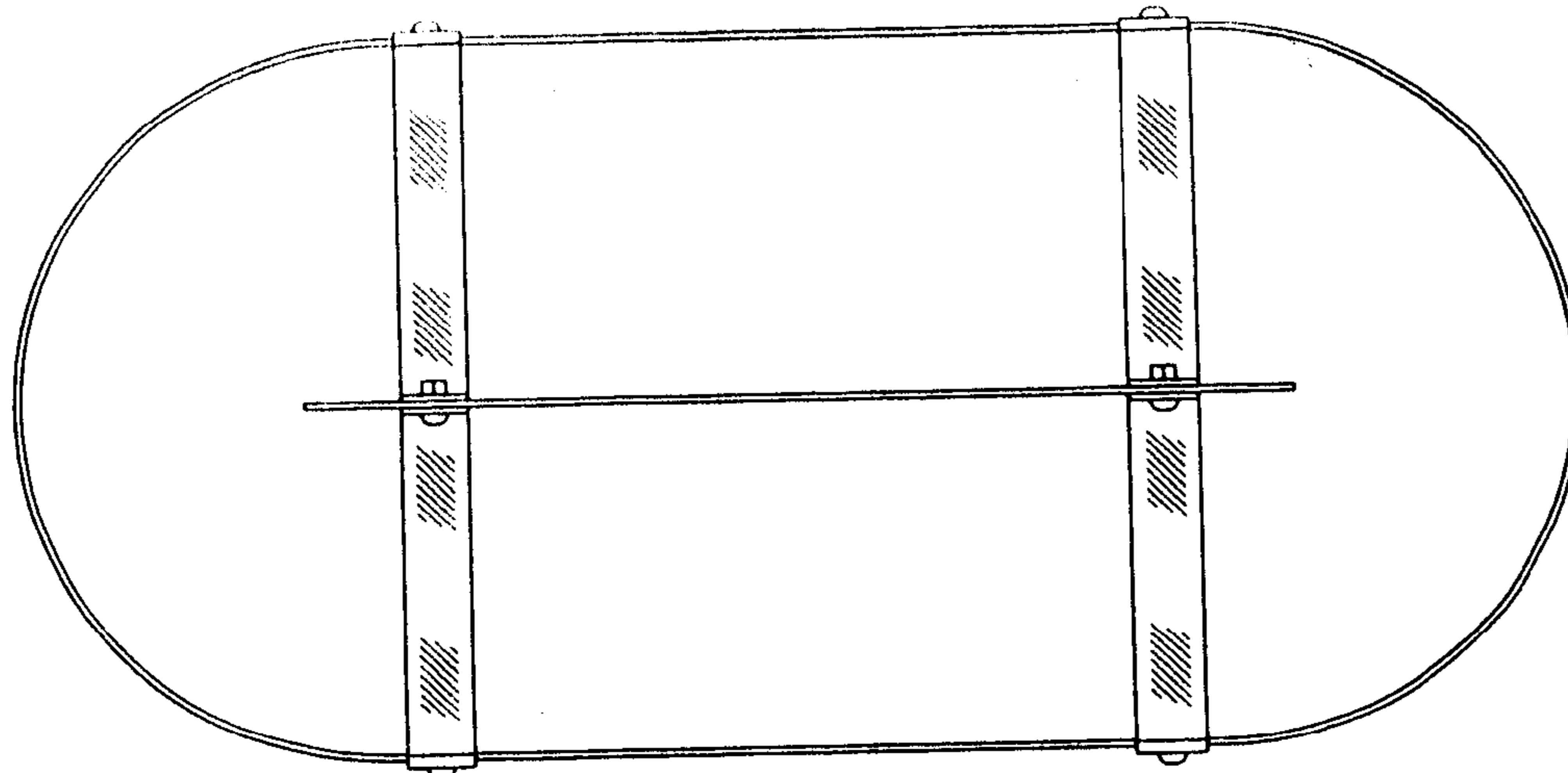


FIG. 3

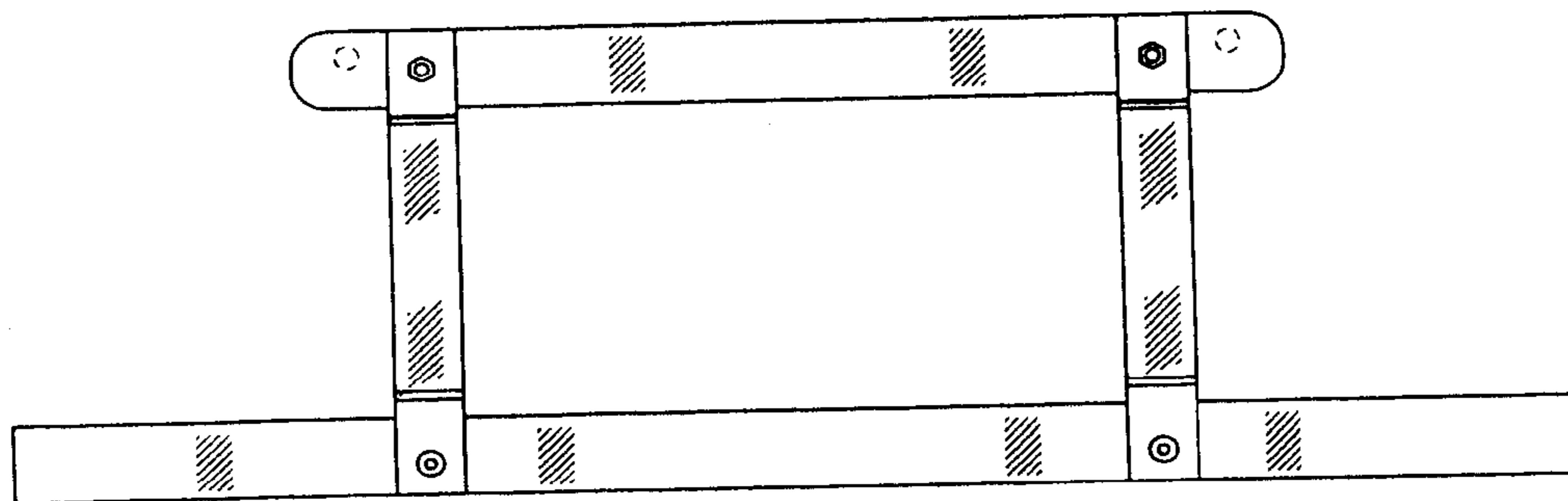


FIG. 4

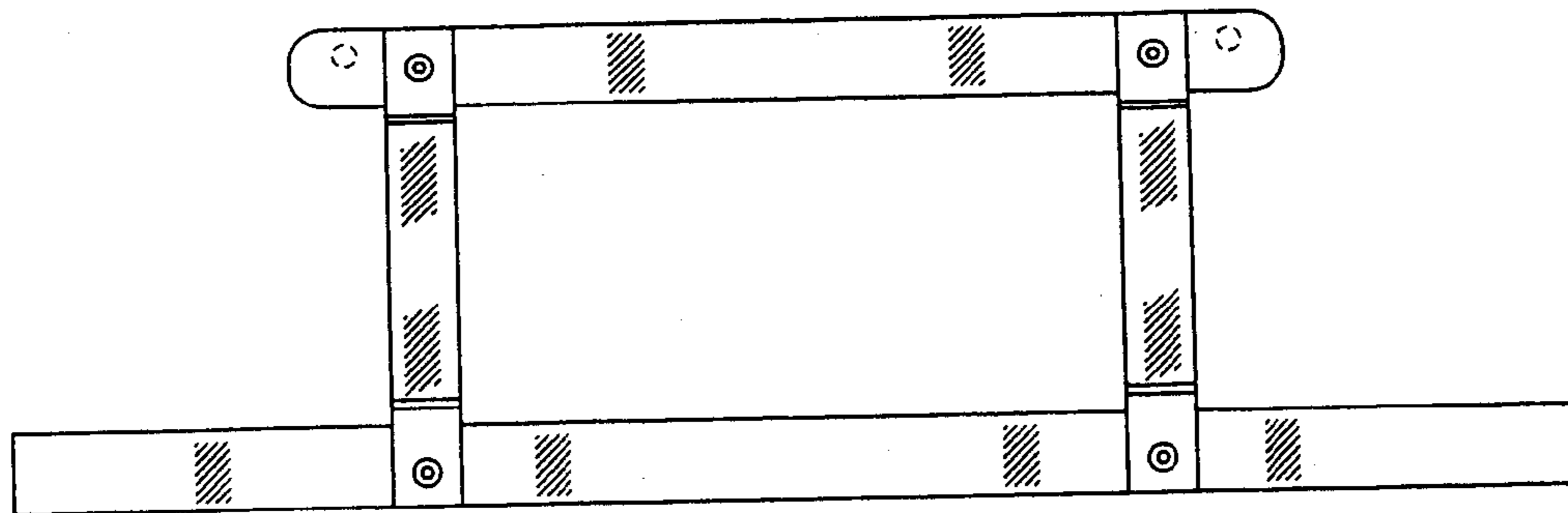


FIG. 5

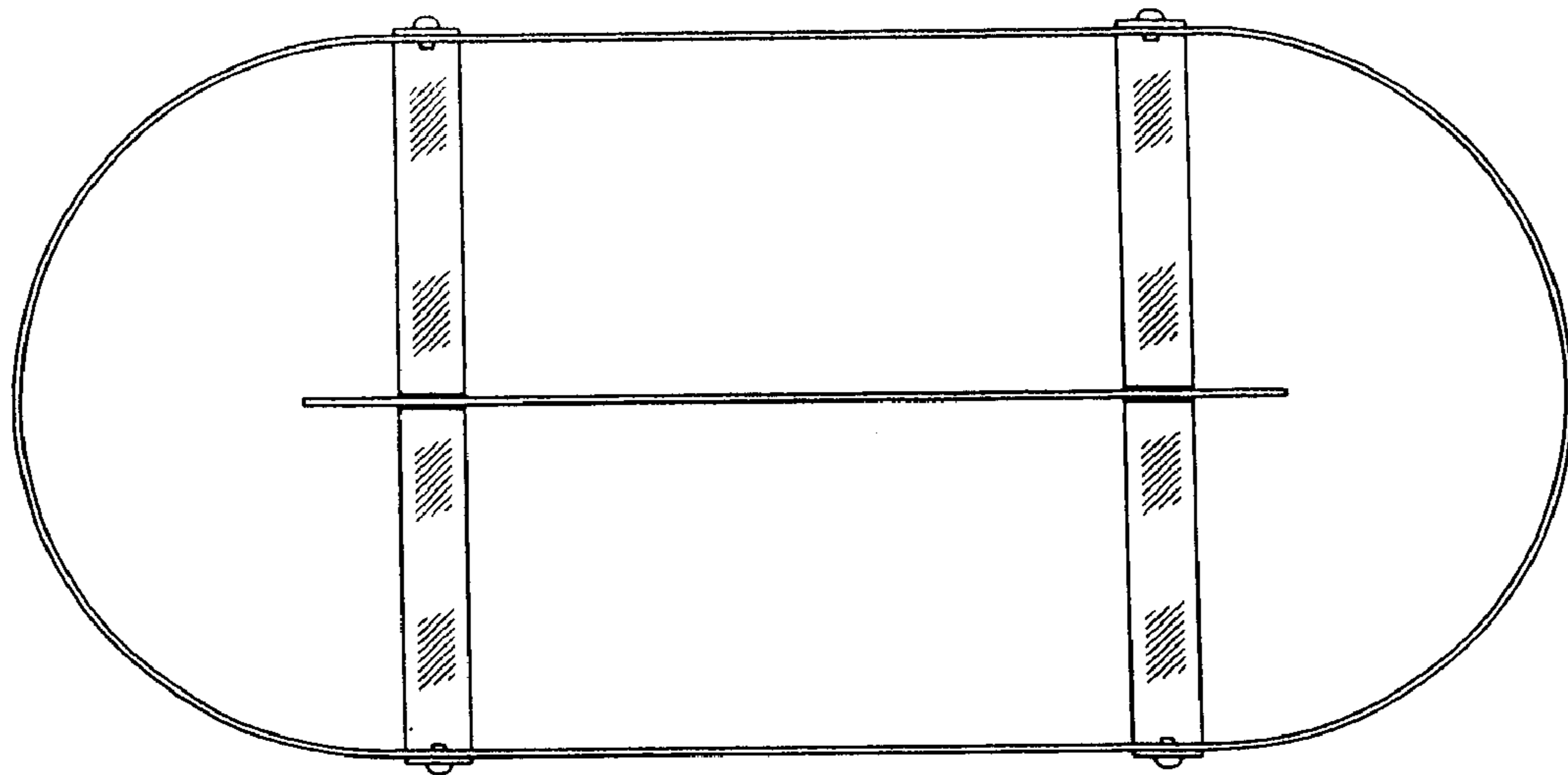


FIG. 6

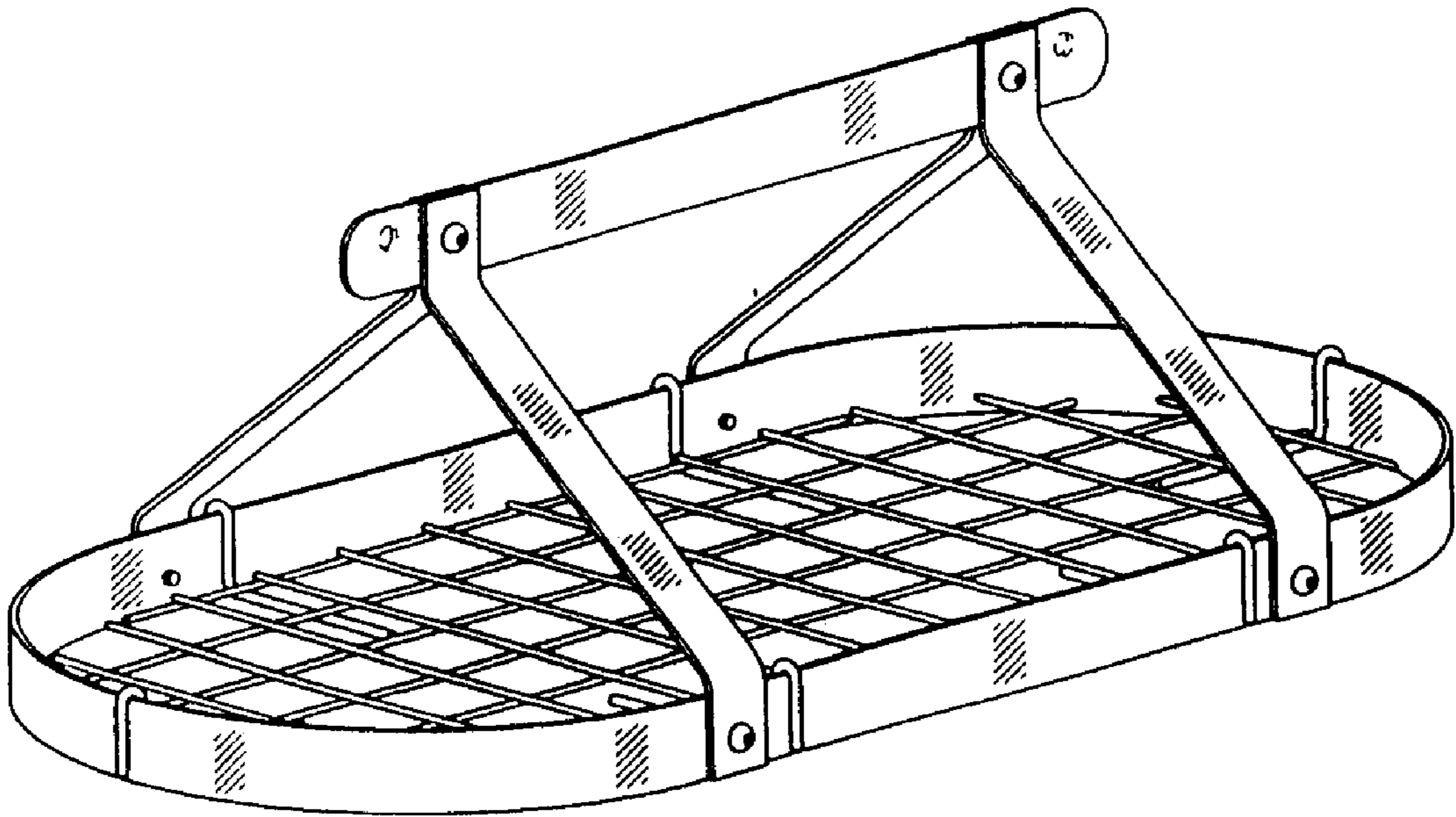


FIG. 7

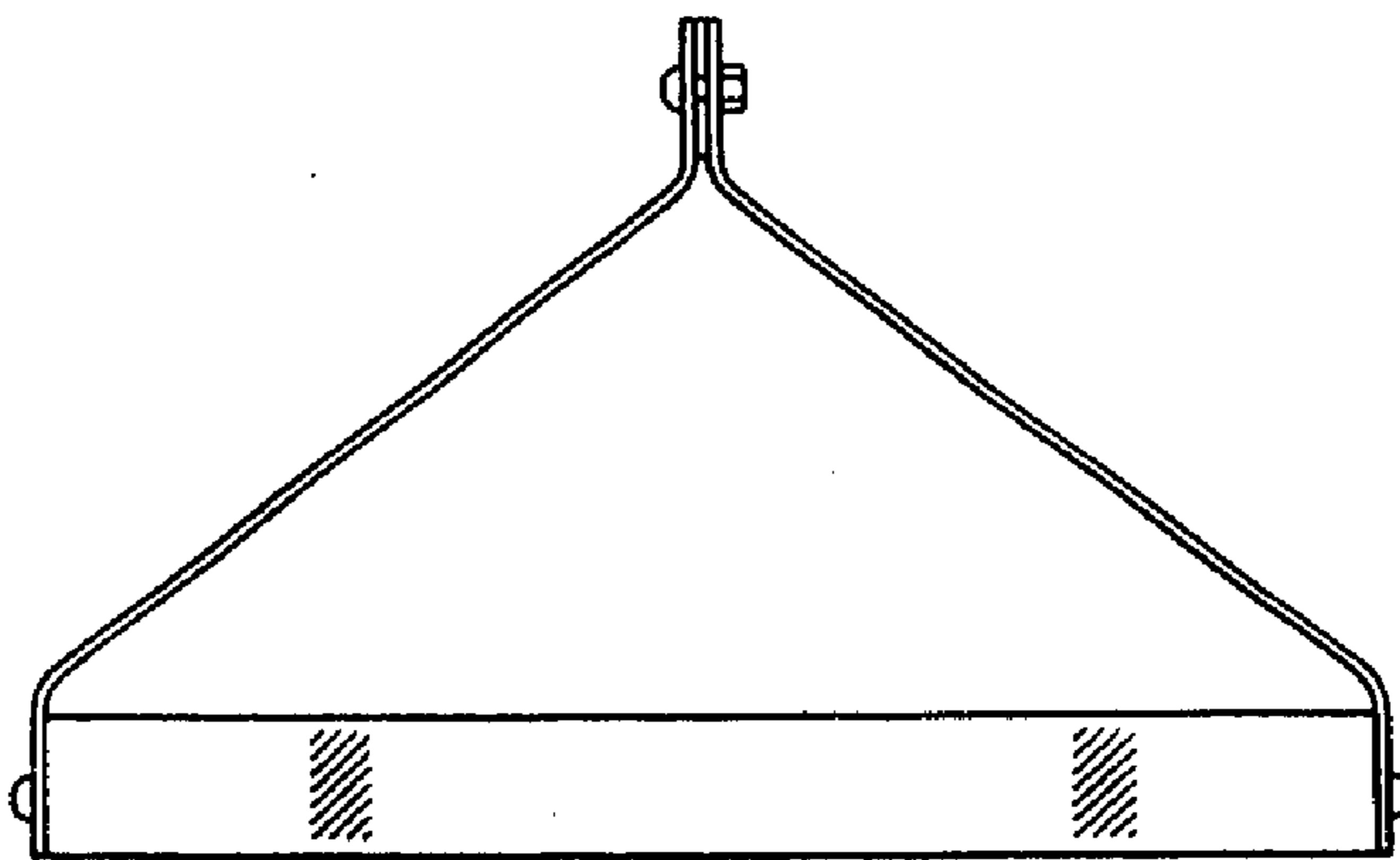


FIG. 8

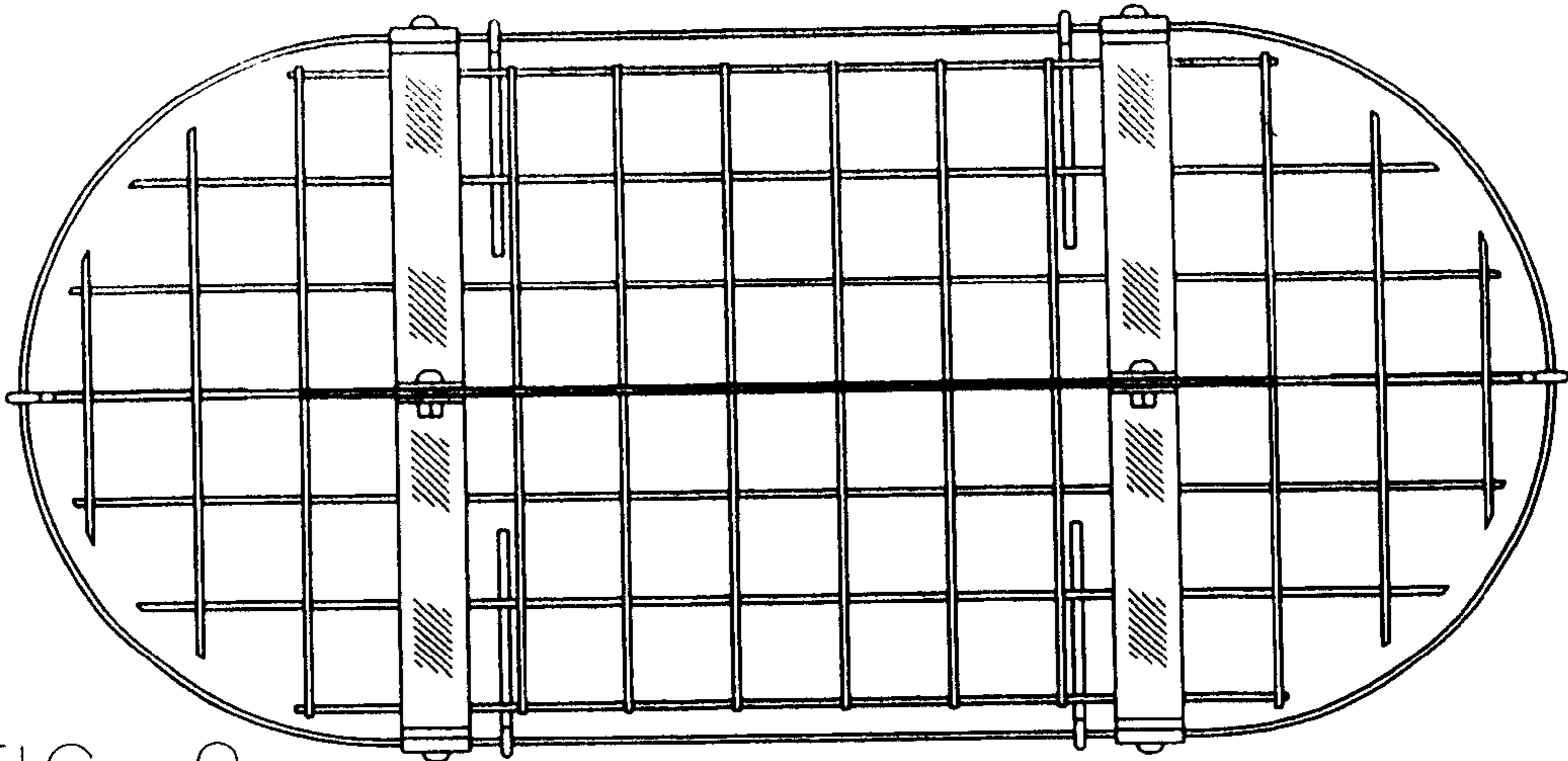


FIG. 9

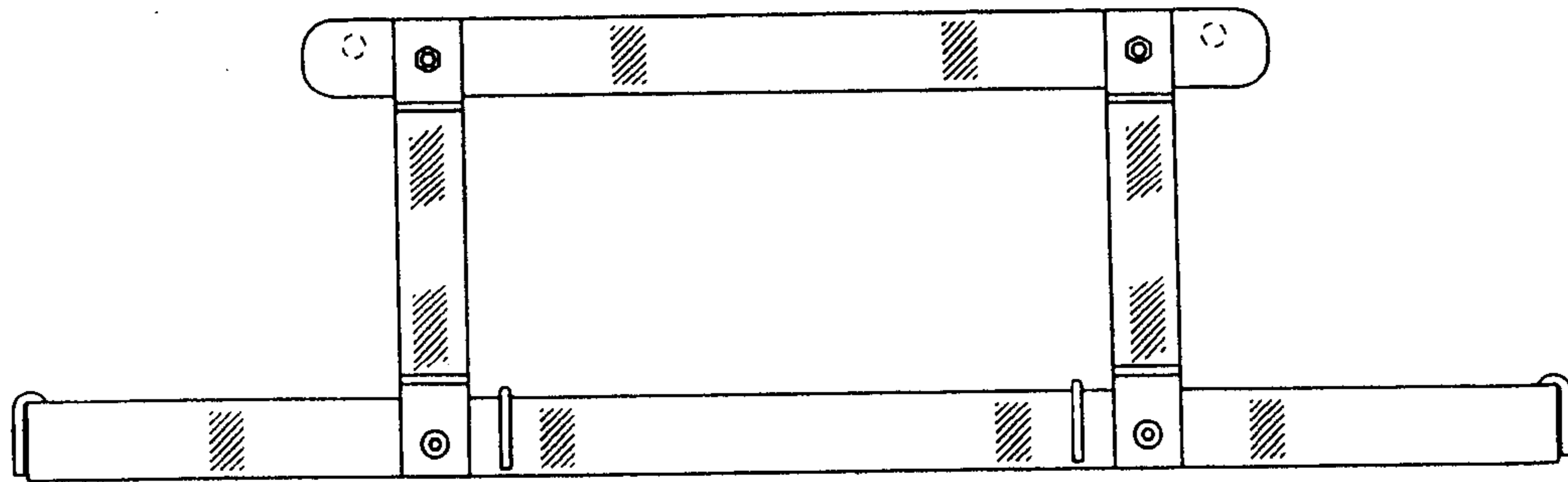


FIG. 10

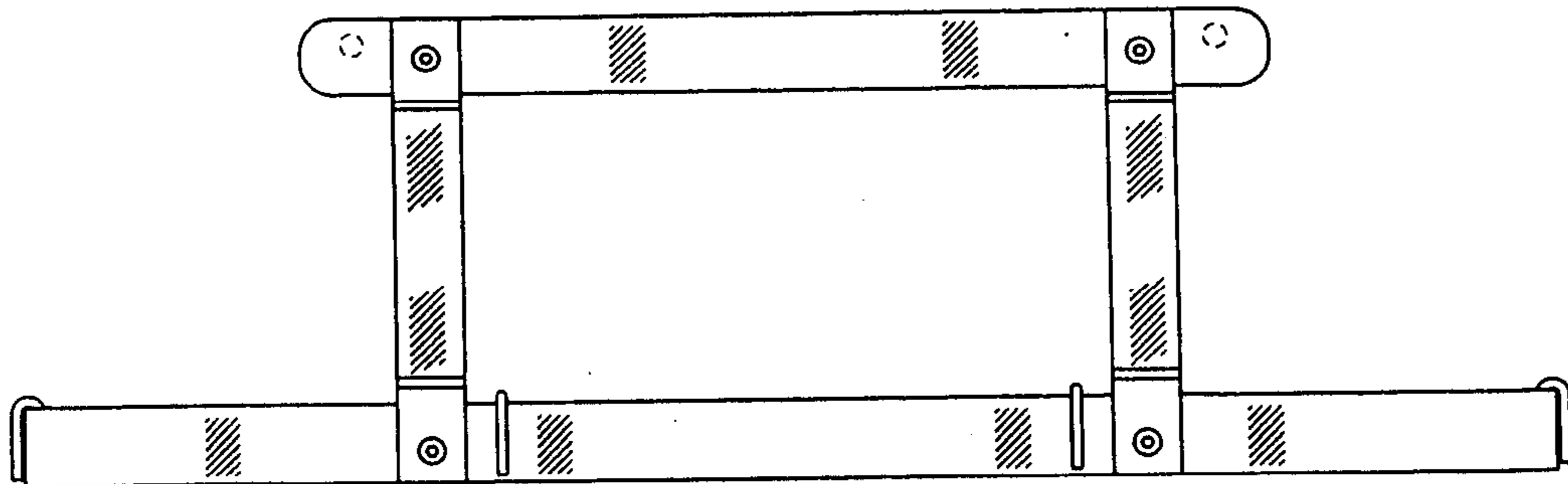


FIG. 11

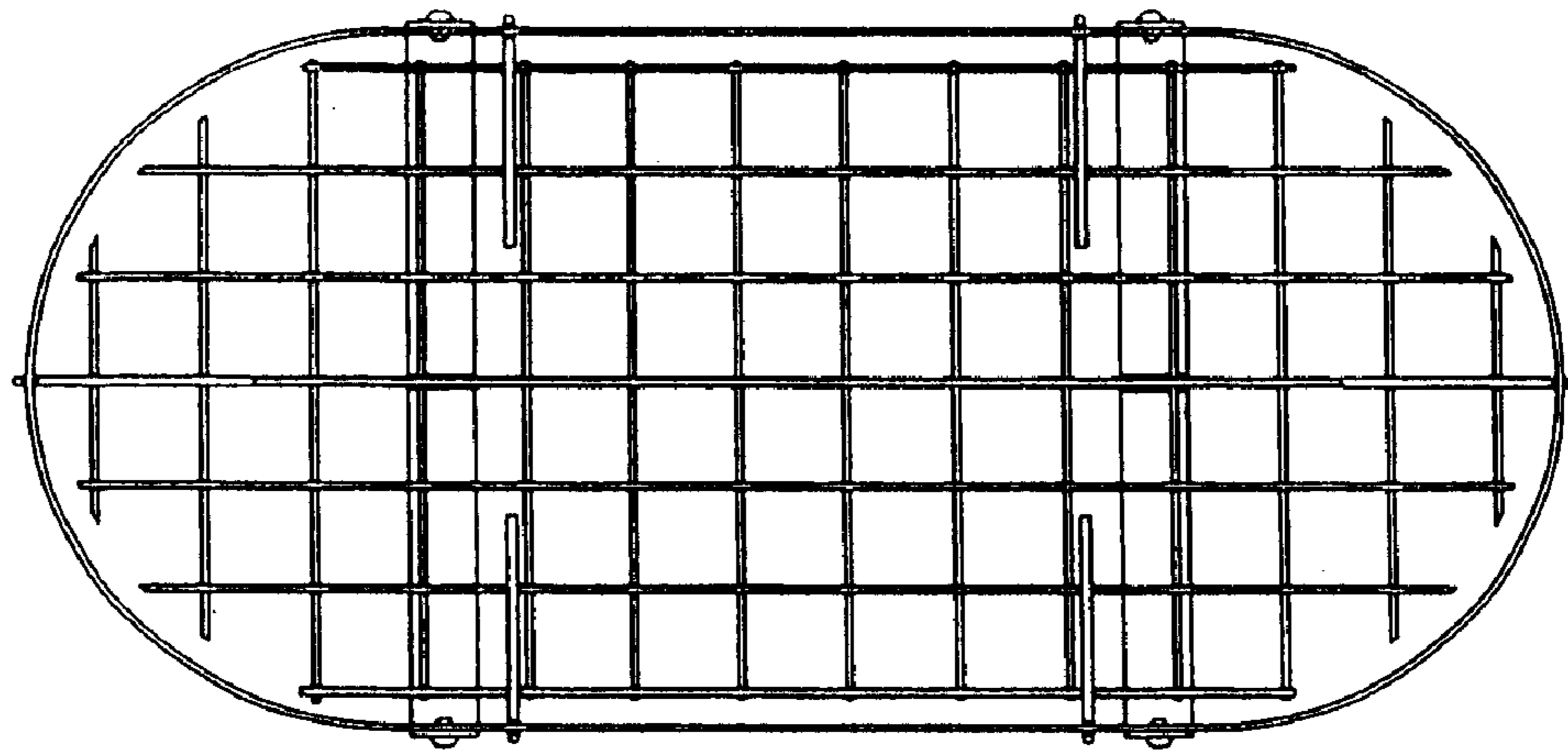


FIG. 12