



US00D504585S

(12) **United States Design Patent**
Rafoth et al.

(10) **Patent No.:** **US D504,585 S**
(45) **Date of Patent:** **** May 3, 2005**

- (54) **CEILING RACK FOR POTS, PANS AND UTENSILS**
- (75) Inventors: **Steven F. Rafoth**, Port Townsend, WA (US); **John J. Rodrigues**, Port Townsend, WA (US)
- (73) Assignee: **Enclume Design Products, Inc.**, Port Hadlock, WA (US)
- (**) Term: **14 Years**
- (21) Appl. No.: **29/204,336**
- (22) Filed: **Apr. 27, 2004**
- (51) **LOC (7) Cl.** **06-06**
- (52) **U.S. Cl.** **D6/513**
- (58) **Field of Search** D6/512-514, 566; 211/13.1, 70.1, 70.6, 113, 71.01, 86.01, 119; 248/200, 302, 309.1, 317, 318, 339, 340, 343

U.S. Appl. No. 29/198,831, filed Feb. 4, 2004, by Rafoth et al.
 U.S. Appl. No. 29/198,877, filed Feb. 4, 2004, by Rafoth et al.
 U.S. Appl. No. 29/204,352, filed Apr. 27, 2004, by Rafoth et al.
 U.S. Appl. No. 29/204,353, filed Apr. 27, 2004, by Rafoth et al.

Primary Examiner—Brian N Vinson
 (74) *Attorney, Agent, or Firm*—Klarquist Sparkman LLP

(57) **CLAIM**

The ornamental design for a ceiling rack for pots, pans and utensils, as shown and described.

DESCRIPTION

FIG. 1 is a perspective view of a ceiling rack in accordance with one embodiment, the optional mounting holes in the upper cross-piece portion of the ceiling rack are shown in dashed lines and form no part of the design.

FIG. 2 is an end view of the ceiling rack of FIG. 1 looking from the right side of FIG. 1, it being understood that the end view from the left side is a mirror image of the view shown in FIG. 2.

FIG. 3 is a top view of the ceiling rack of FIG. 1.

FIG. 4 is a first side view of the ceiling rack of FIG. 1.

FIG. 5 is a second side view of the ceiling rack of FIG. 1, the second side being opposite to the first side of FIG. 4.

FIG. 6 illustrates a bottom view of the ceiling rack of FIG. 1.

FIG. 7 is a perspective view of an alternative form of ceiling rack with a grid.

FIG. 8 is an end view of the ceiling rack of FIG. 7, looking from the right side of FIG. 7, it being understood that the end view from the left side of FIG. 7 is a mirror image of the view shown in FIG. 8.

FIG. 9 is a top view of the ceiling rack of FIG. 7.

FIG. 10 is a first side view of the ceiling rack of FIG. 7.

FIG. 11 is a second side view of the ceiling rack of FIG. 7, the second side being opposite to the first side of FIG. 10; and,

FIG. 12 illustrates a bottom view of the ceiling rack of FIG. 7.

(56) **References Cited**

U.S. PATENT DOCUMENTS

D243,489 S	3/1977	Moore
D282,995 S	3/1986	Beverly
4,714,166 A	12/1987	Hann et al.
D335,986 S	6/1993	Saffell
D353,502 S	12/1994	Liu
D359,644 S	6/1995	O'Briant et al.
D392,133 S	3/1998	Chen
D406,972 S	3/1999	McCoy
D408,666 S	4/1999	Sorensen et al.
D455,922 S	4/2002	Rafoth et al.
D458,071 S	6/2002	Hoernig
D468,942 S	1/2003	Rafoth et al.
D468,947 S	1/2003	Rafoth et al.
D469,286 S	1/2003	Rafoth et al.

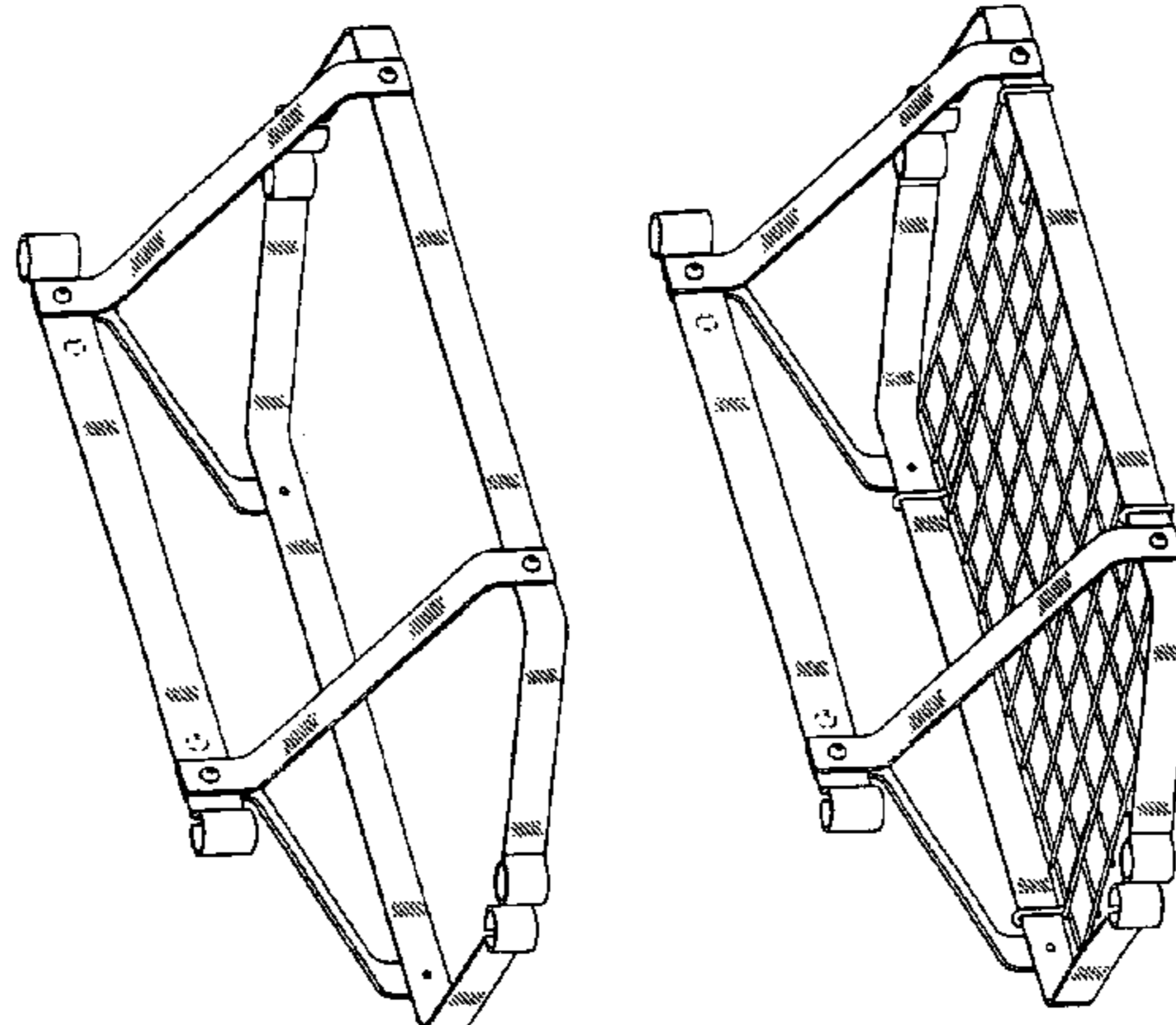
OTHER PUBLICATIONS

ENCLUME Brochure depicting prior art ceiling racks. (Published prior to filing date).

CHANTAL Cookware Corp. brochure depicting prior art CHANTAL pot rack. (Published prior to filing date).

U.S. Appl. No. 29/152,040, filed Dec. 10, 2001, by Rafoth et al.

1 Claim, 6 Drawing Sheets



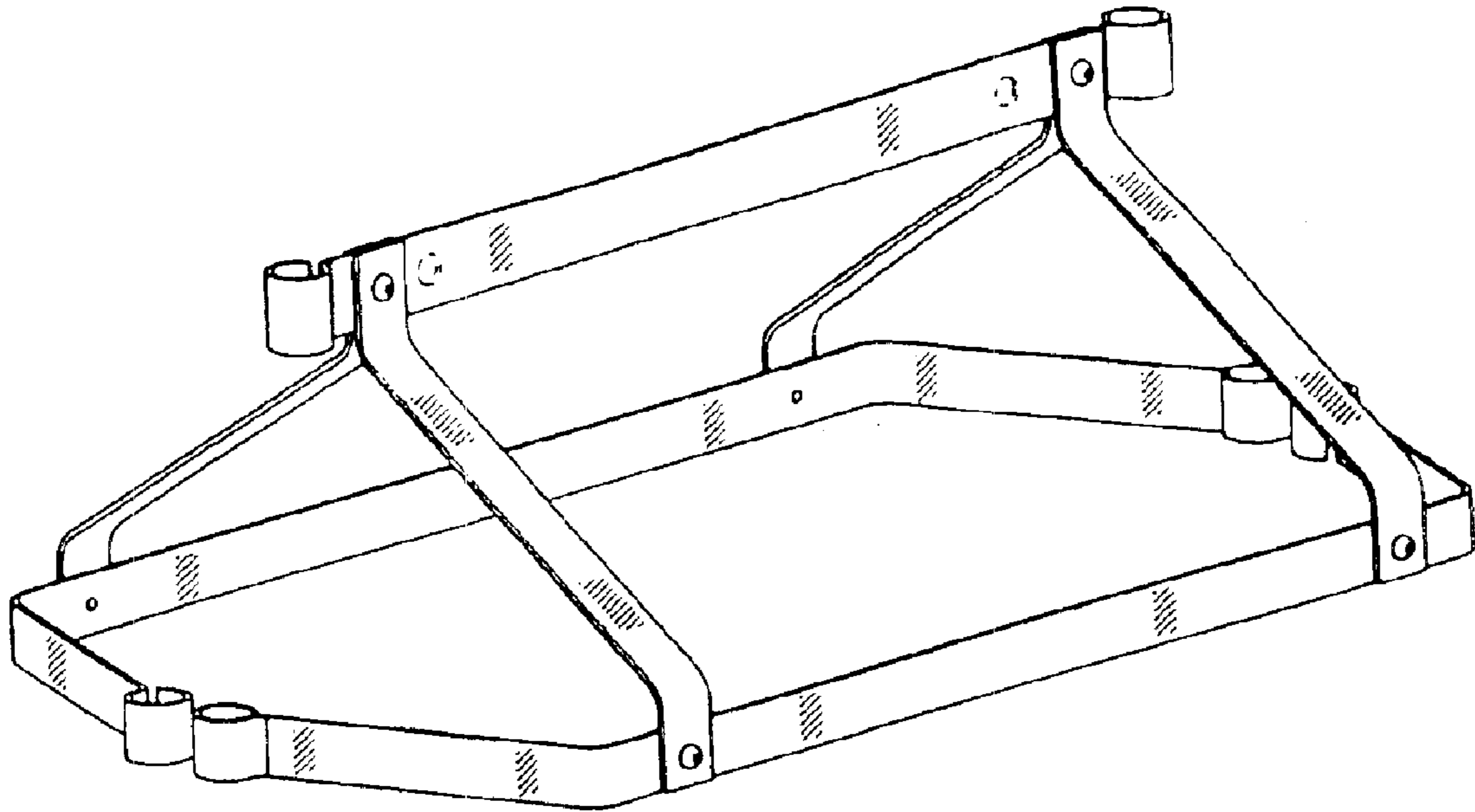


FIG. 1

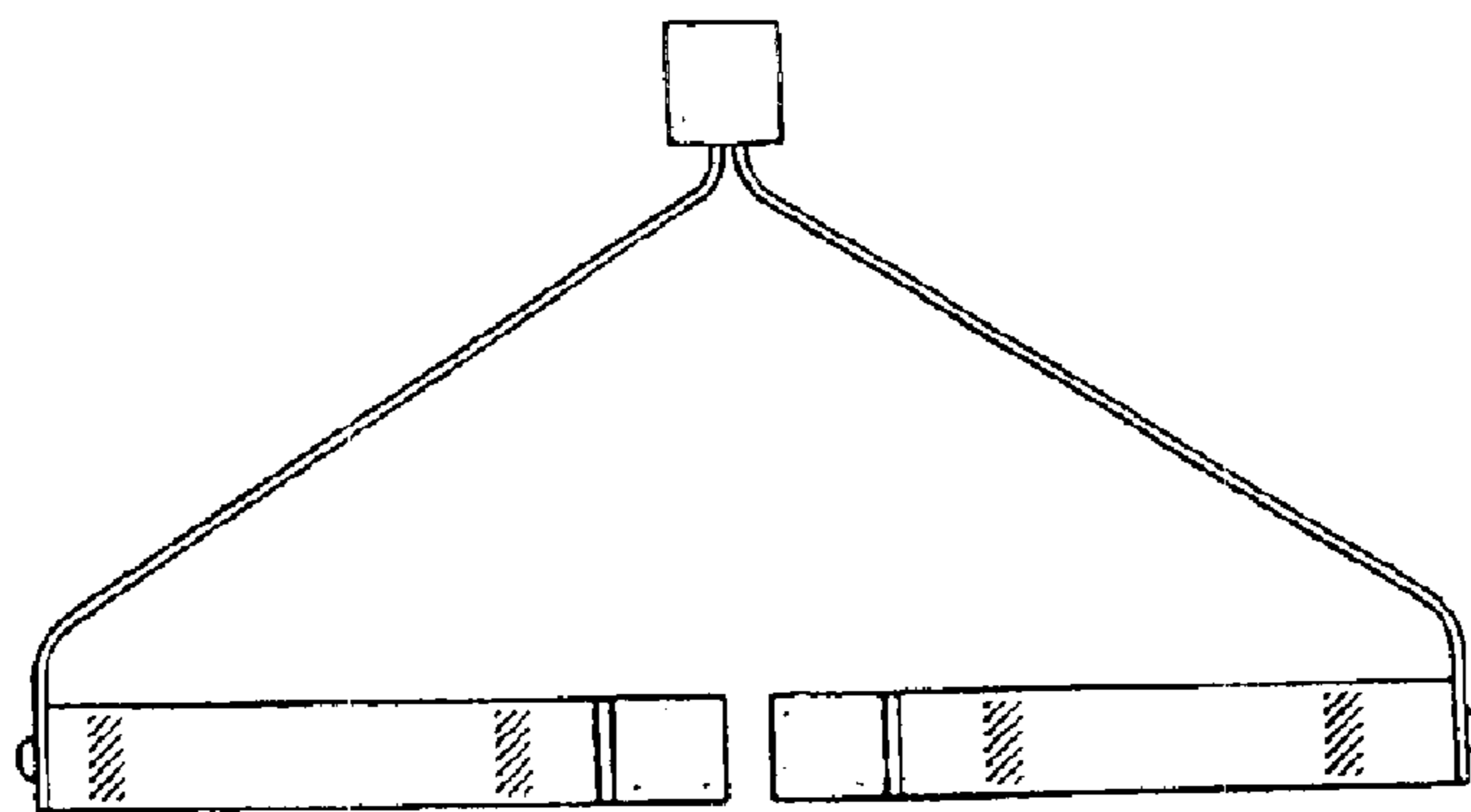


FIG. 2

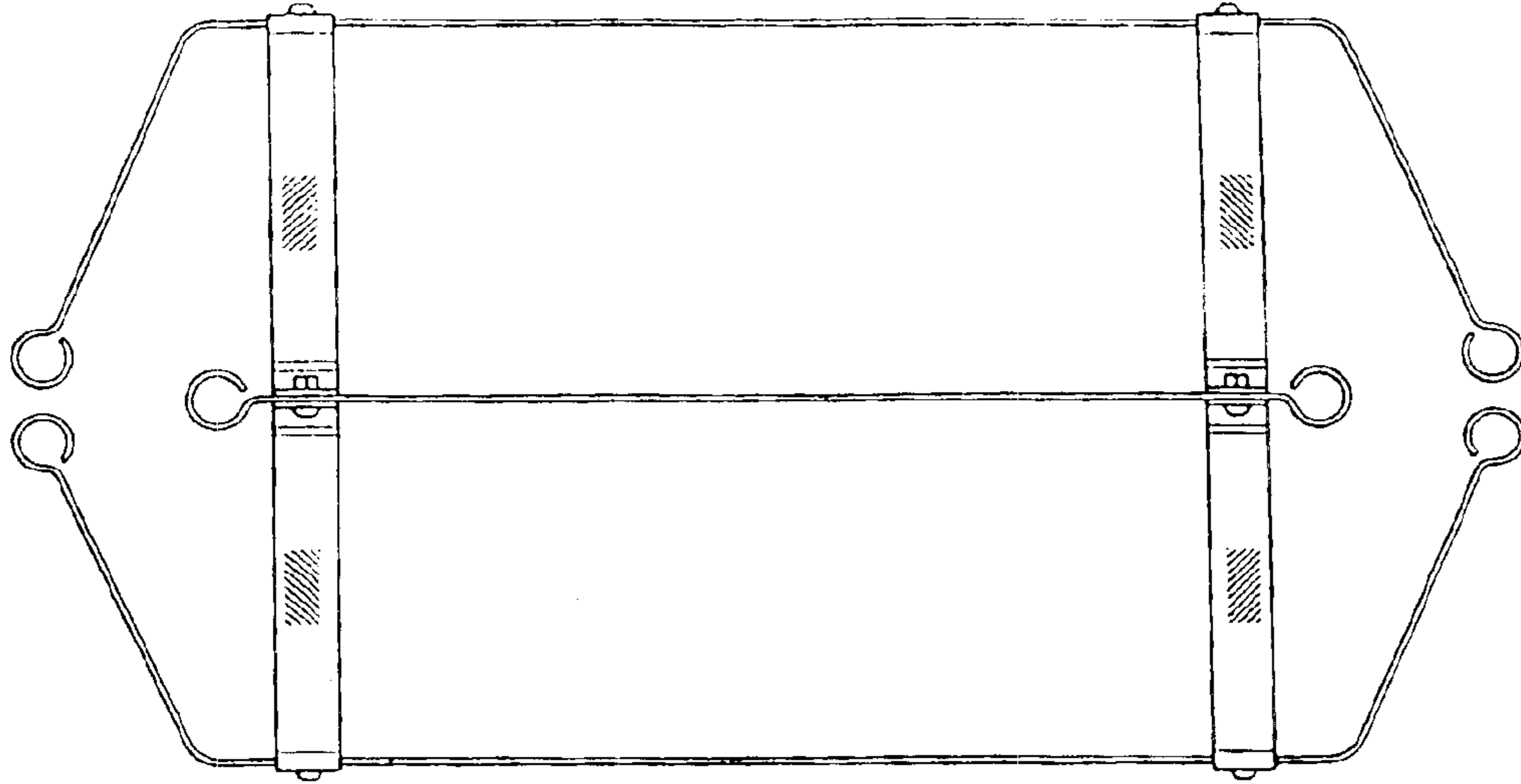


FIG. 3

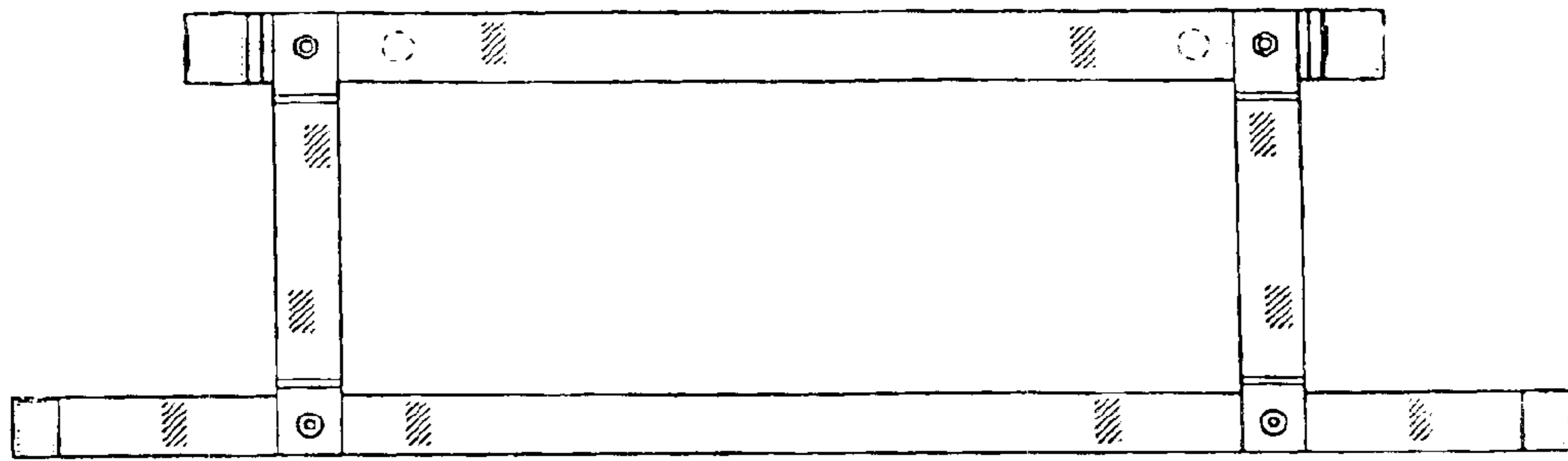


FIG. 4

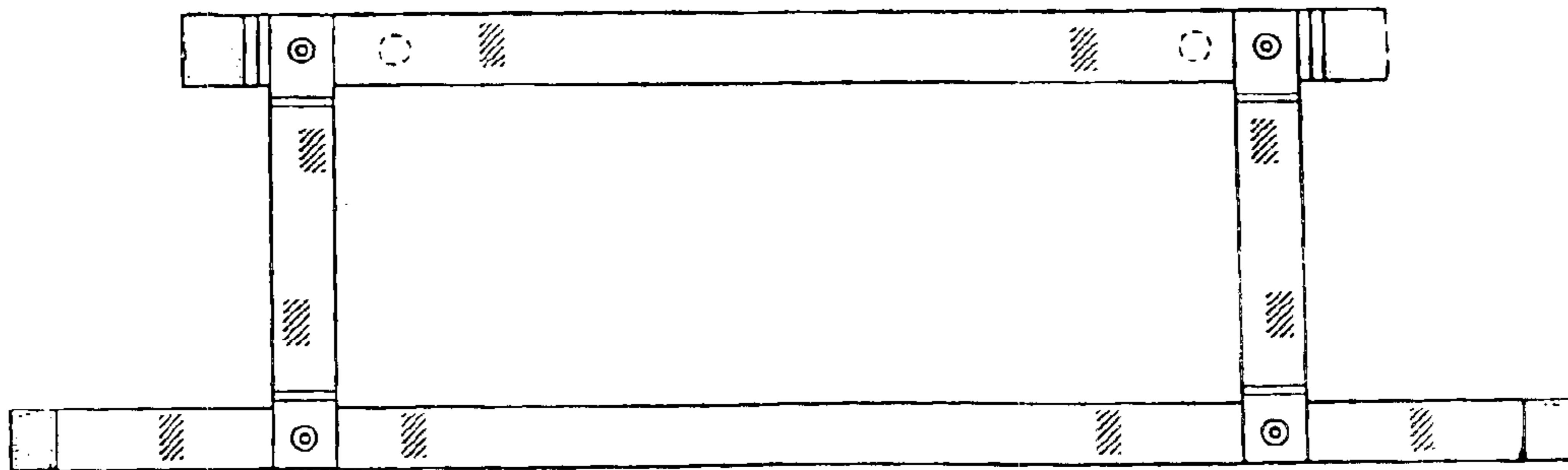


FIG. 5

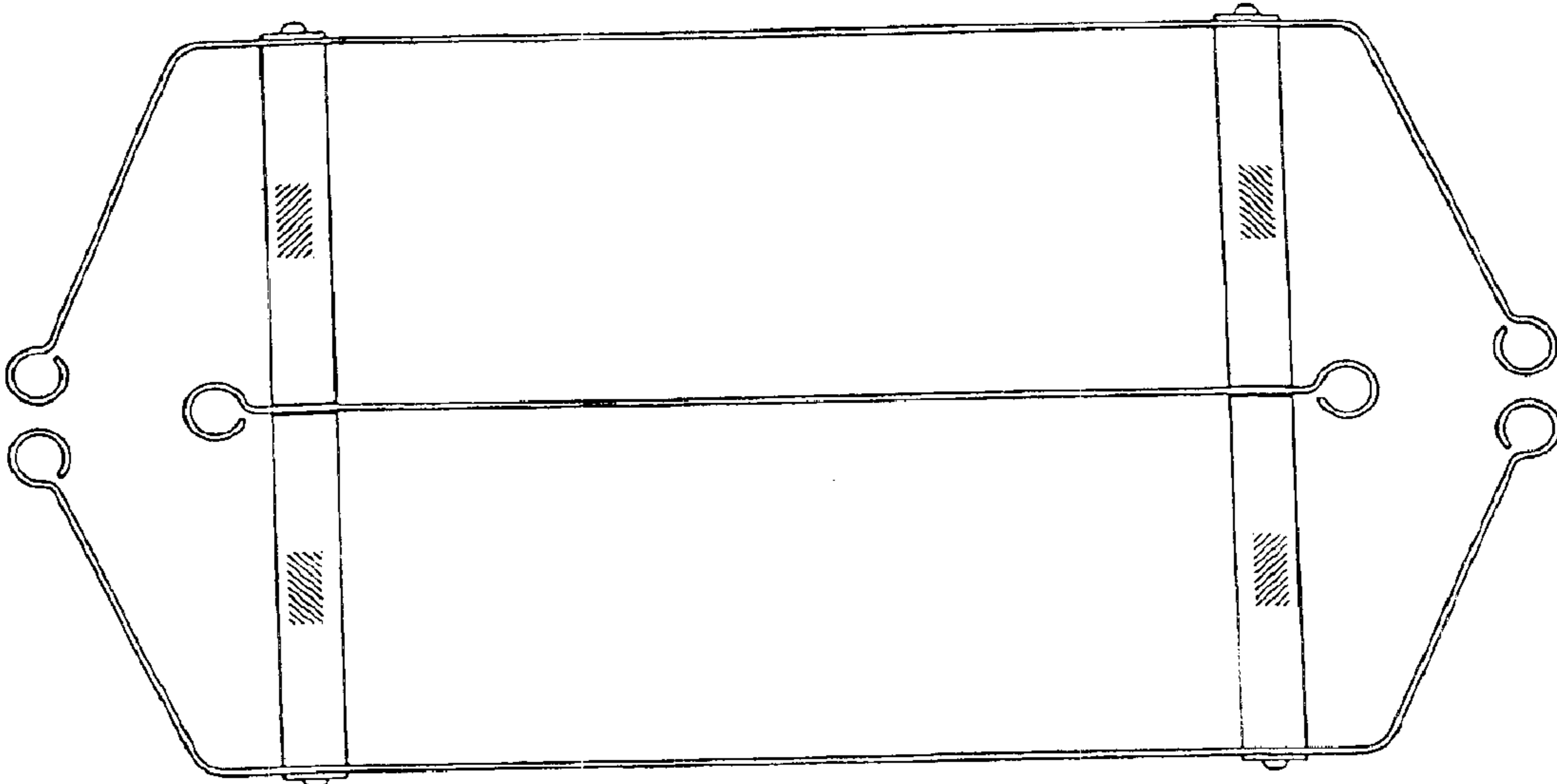


FIG. 6

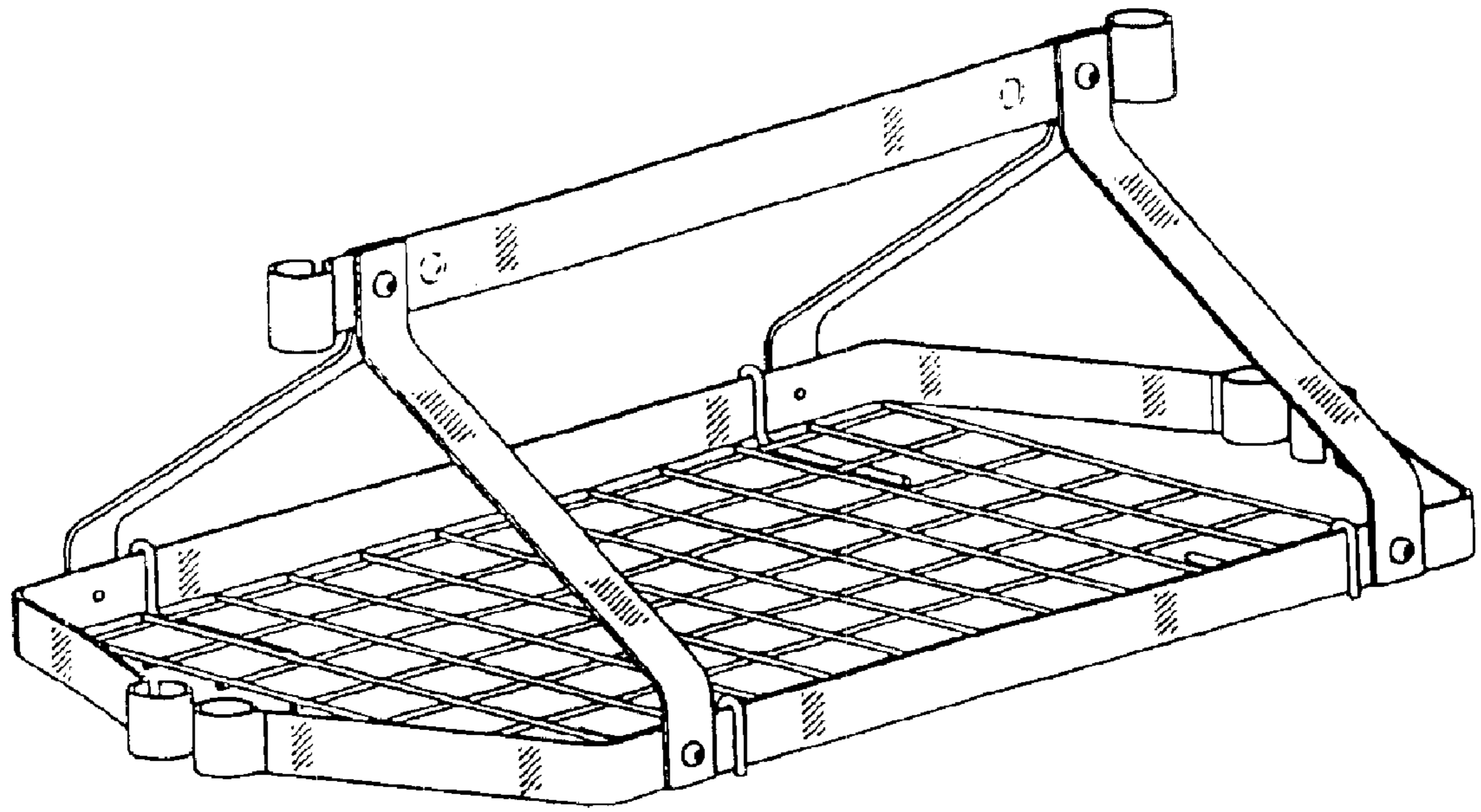


FIG. 7

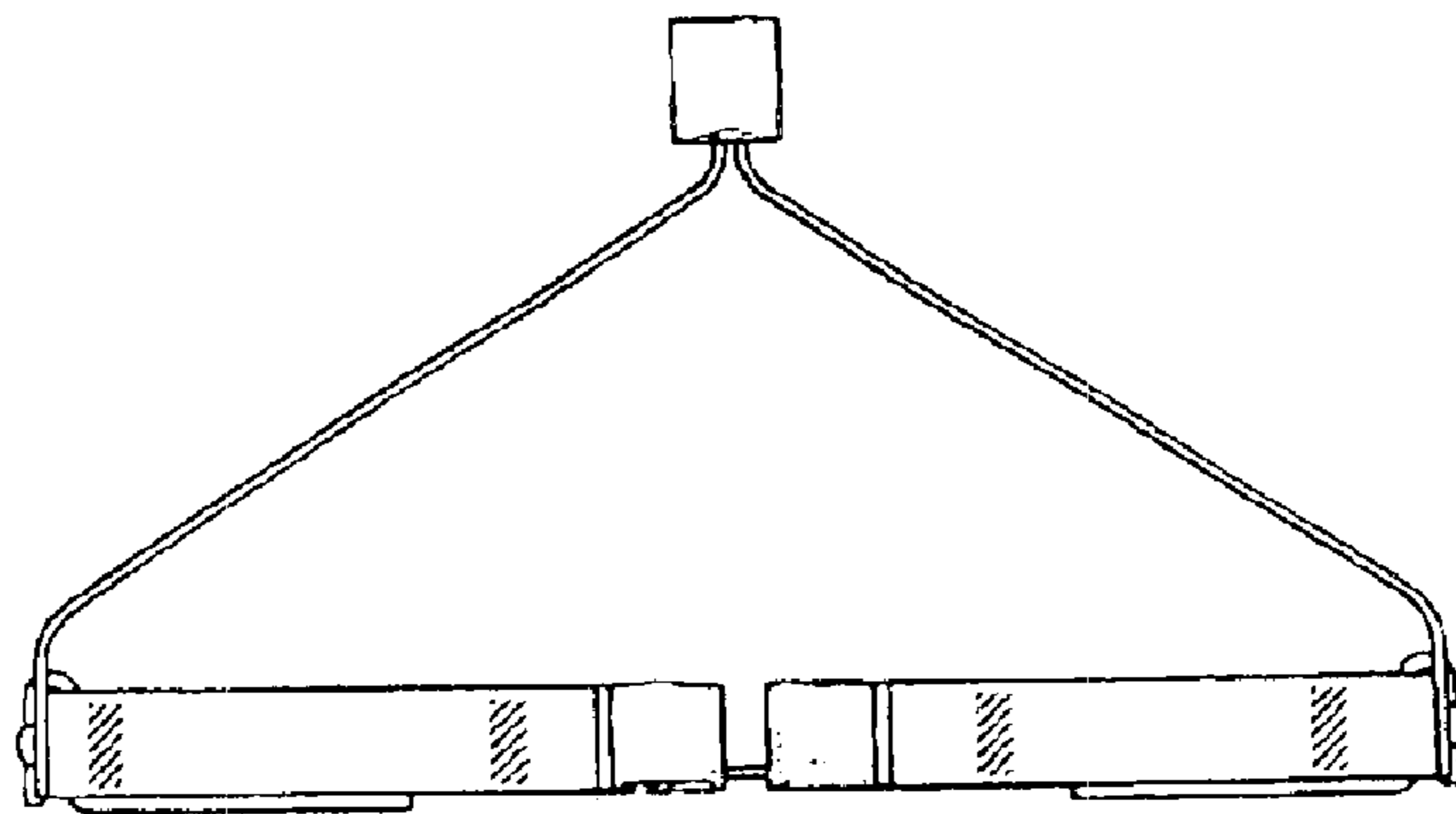


FIG. 8

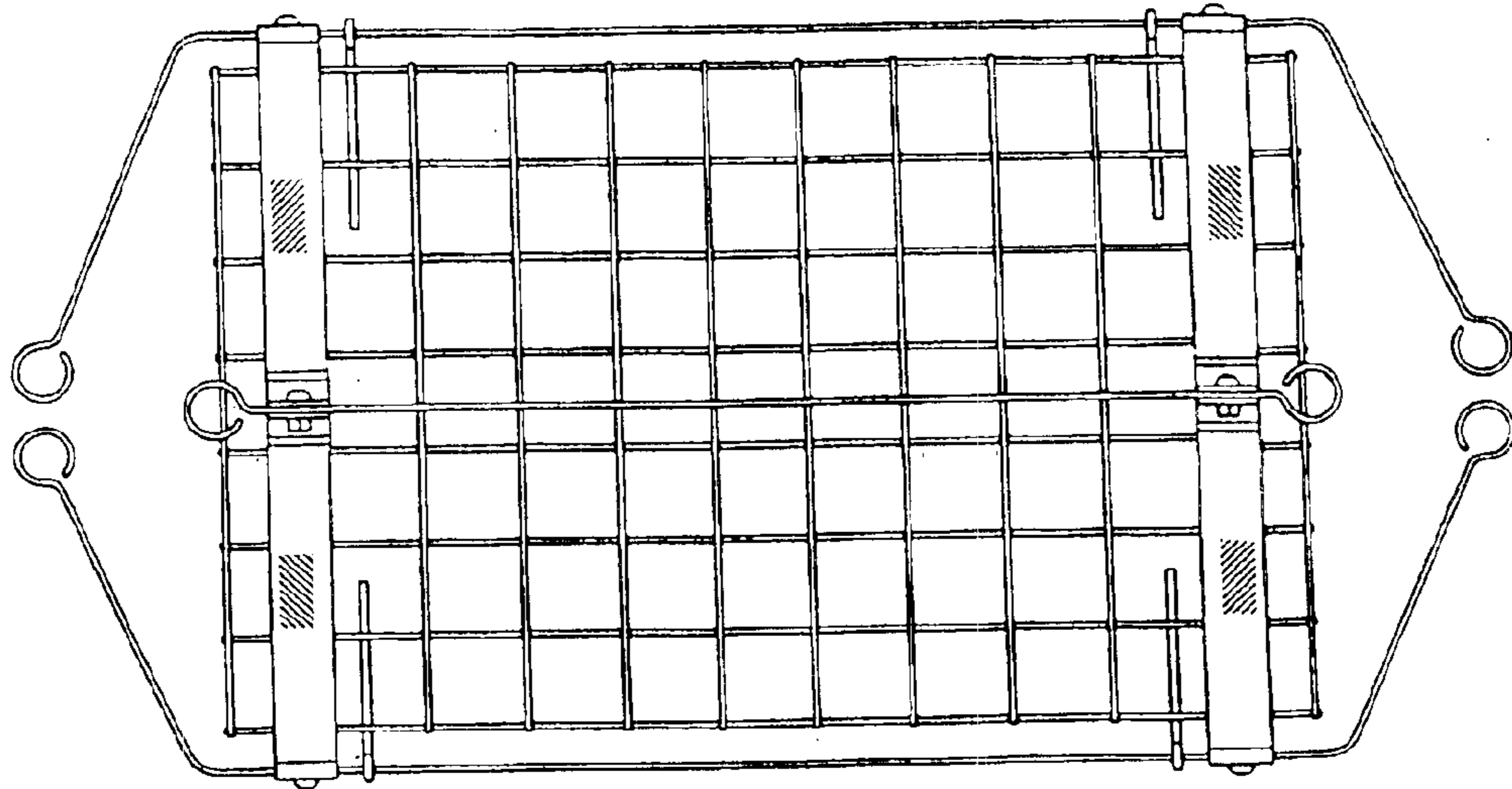


FIG. 9

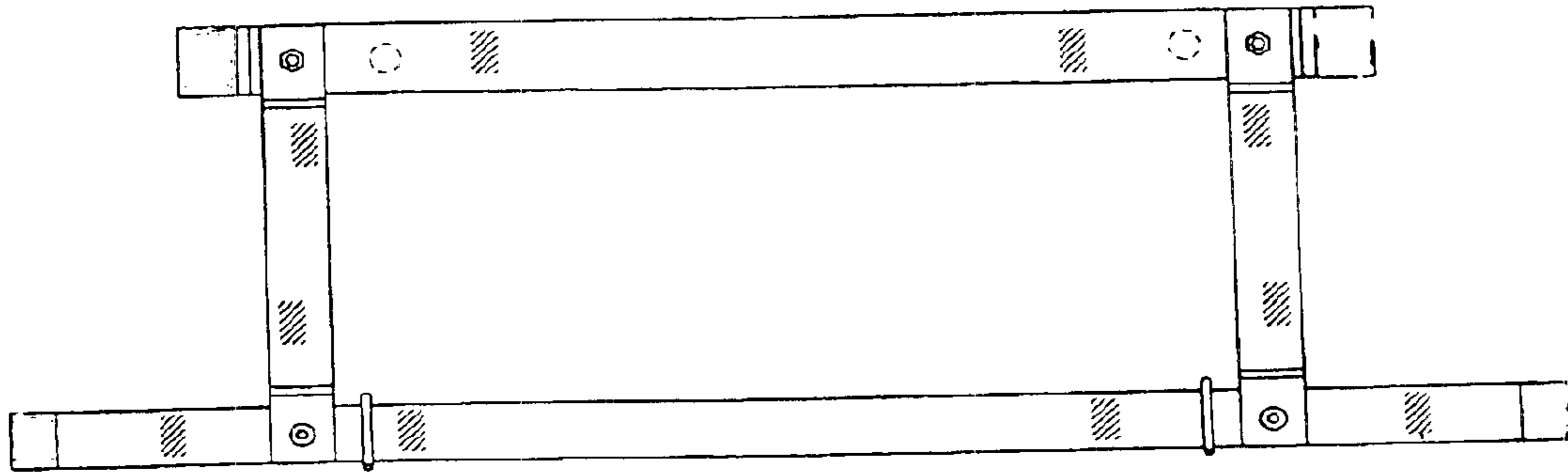


FIG. 10

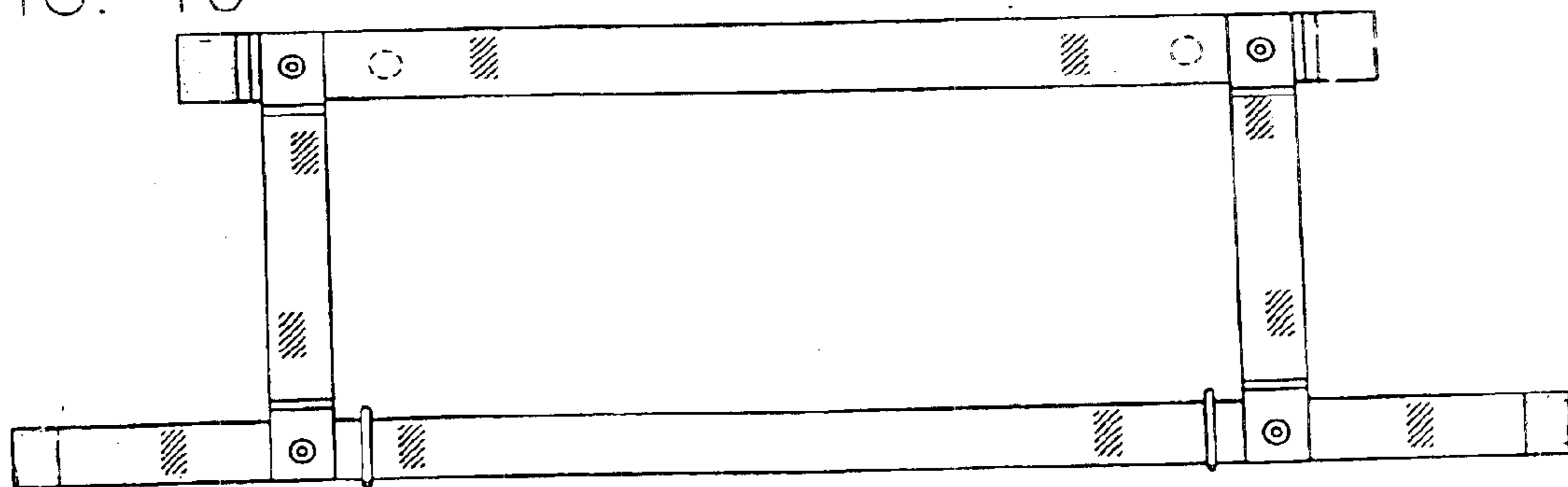


FIG. 11

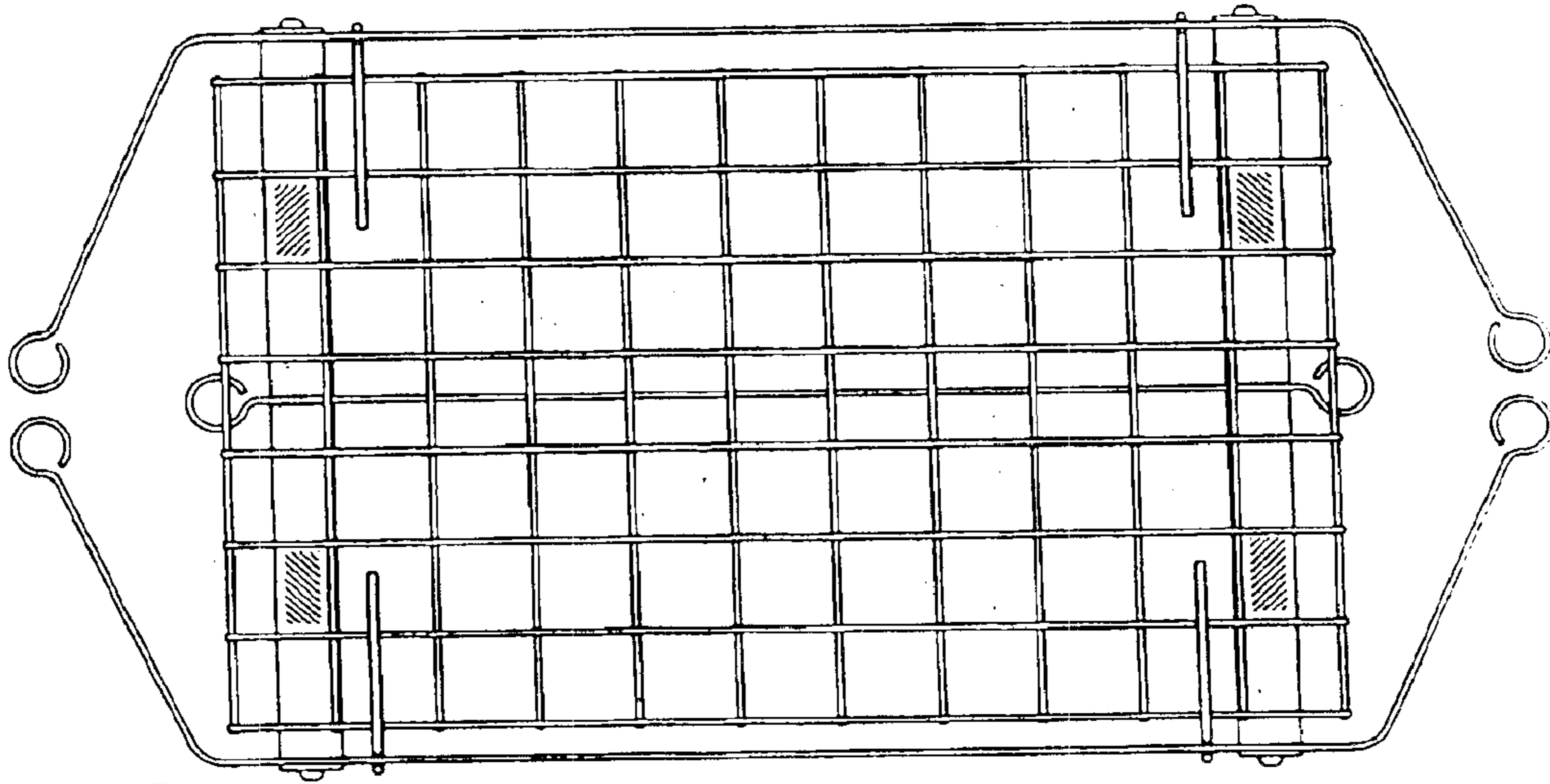


FIG. 12