

US00D504581S

(12) **United States Design Patent**
Kim et al.

(10) **Patent No.:** **US D504,581 S**
(45) **Date of Patent:** **** May 3, 2005**

(54) **DISPLAY STAND**

(76) Inventors: **Dae Sung Kim**, Woosung 2-cha APT
206 Dong 807 Ho, Dae-Chee-Dong 985,
Kang-Nam-Gu, Seoul (KR); **Kil Hee**
Ko Kim, Woosung 2-cha APT 206
Dong 807 Ho, Dae-Chee-Dong 985,
Kang-Nam-Gu, Seoul (KR)

(**) **Term:** **14 Years**

(21) **Appl. No.:** **29/195,009**

(22) **Filed:** **Dec. 5, 2003**

(51) **LOC (7) Cl.** **06-04**

(52) **U.S. Cl.** **D6/457**

(58) **Field of Search** D6/396, 397, 416,
D6/449, 450, 455, 457, 466, 469, 470,
475, 491; D7/354, 547, 610, 672, 706;
D9/341; D19/75, 97; D20/10, 19, 29, 41;
D21/319; D26/138; D30/130, 133; D11/117,
131, 143, 152, 153, 157; 211/13.1, 14,
133.1, 188, 194; 206/315.9, 457; 220/23.4,
23.6; 248/176.1, 320, 346.03, 370, 504,
519, 523, 908, 915; 273/108.2, 153 R,
245, 281, 317.2, 336

(56) **References Cited**

U.S. PATENT DOCUMENTS

D35,748 S * 2/1902 Drain, Jr. D6/457
1,031,243 A * 7/1912 Carnes D7/672
1,645,399 A * 10/1927 Pontikis 211/14
D75,220 S * 5/1928 Dahlstrom D19/97
D123,819 S * 12/1940 Perryman D9/341

D158,699 S * 5/1950 Wasilevich D6/455
D166,887 S * 5/1952 Spanel D6/457
D174,195 S * 3/1955 Resing D11/157
D182,741 S * 5/1958 Rennels D7/706
D250,927 S * 1/1979 Lewis D6/457
D260,864 S * 9/1981 Perry D11/157
D326,114 S * 5/1992 Murtagh D19/97
5,351,956 A * 10/1994 Kershner 273/153 R
D389,011 S * 1/1998 DeCoster D7/547
D392,328 S * 3/1998 Johansson D20/29
D397,887 S * 9/1998 Hawkersmith D6/457
5,873,573 A * 2/1999 Beatty, Jr. 273/336
D437,522 S * 2/2001 Measom D7/354
D469,628 S * 2/2003 Strohfus D6/450
D485,710 S * 1/2004 Burkhart et al. D6/491
D488,741 S * 4/2004 Moya D11/143

* cited by examiner

Primary Examiner—Mimosa De
(74) *Attorney, Agent, or Firm*—Park & Sutton LLP; John
K. Park

(57) **CLAIM**

The ornamental design for a display stand, as shown and
described.

DESCRIPTION

FIG. 1 is a perspective view showing my new design;
FIG. 2 is another perspective view showing my new design;
FIG. 3 is a front elevational view thereof; and,
FIG. 4 is a top plan view thereof.
The broken line showing of environment as a golf ball in
FIGS. 1 and 3 is for illustrative purposes only and forms no
part of the claimed design.

1 Claim, 4 Drawing Sheets

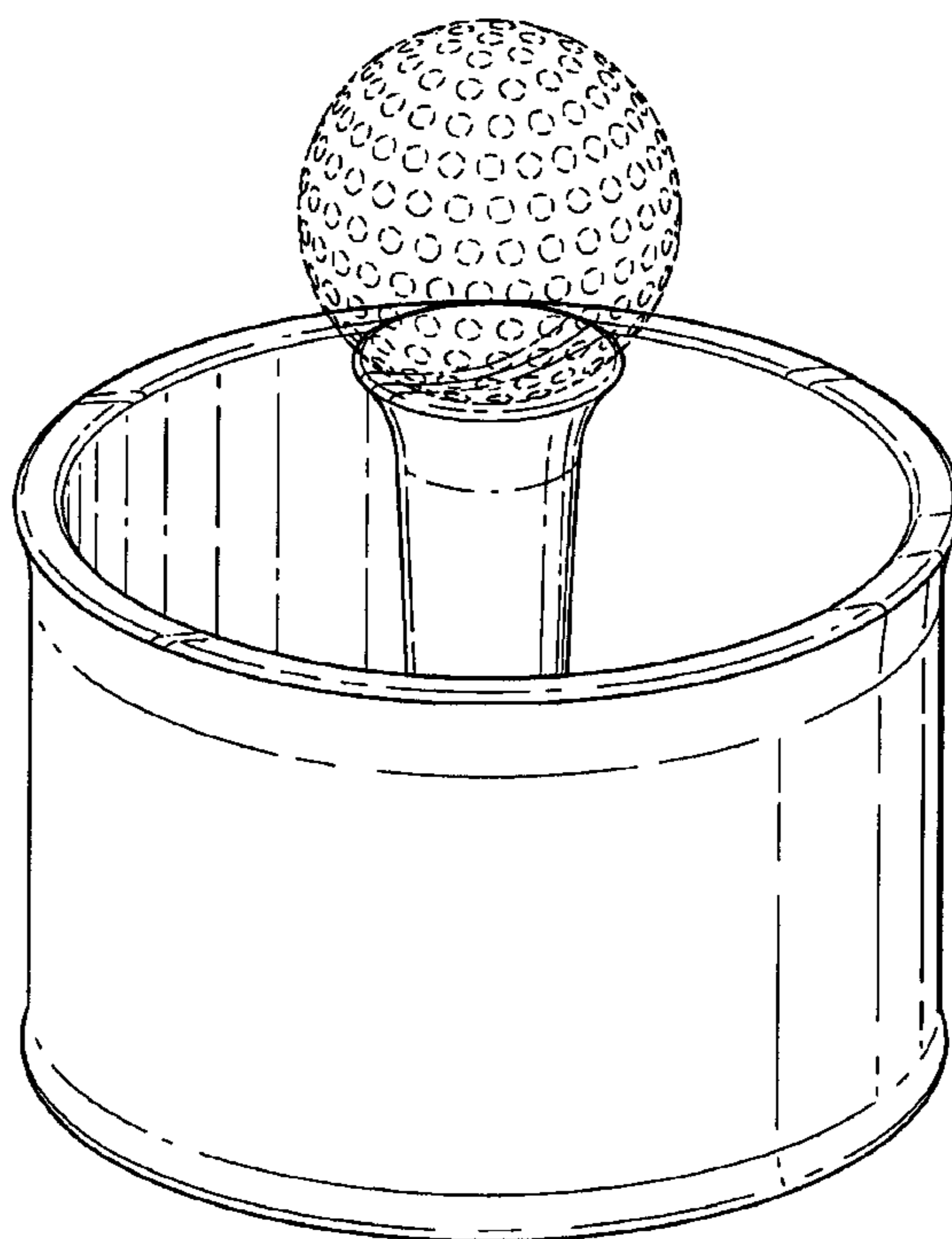


Fig. 1

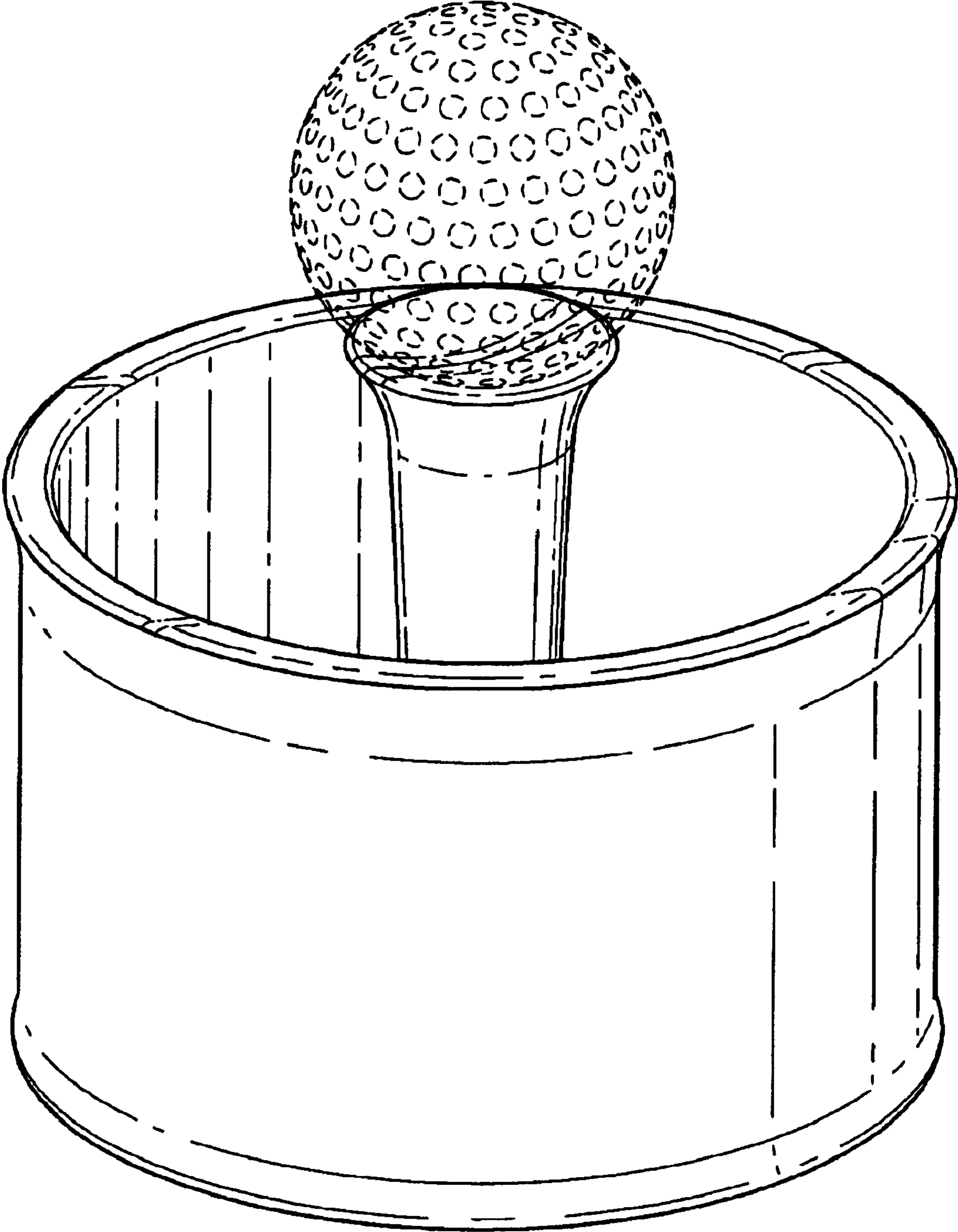


Fig. 2

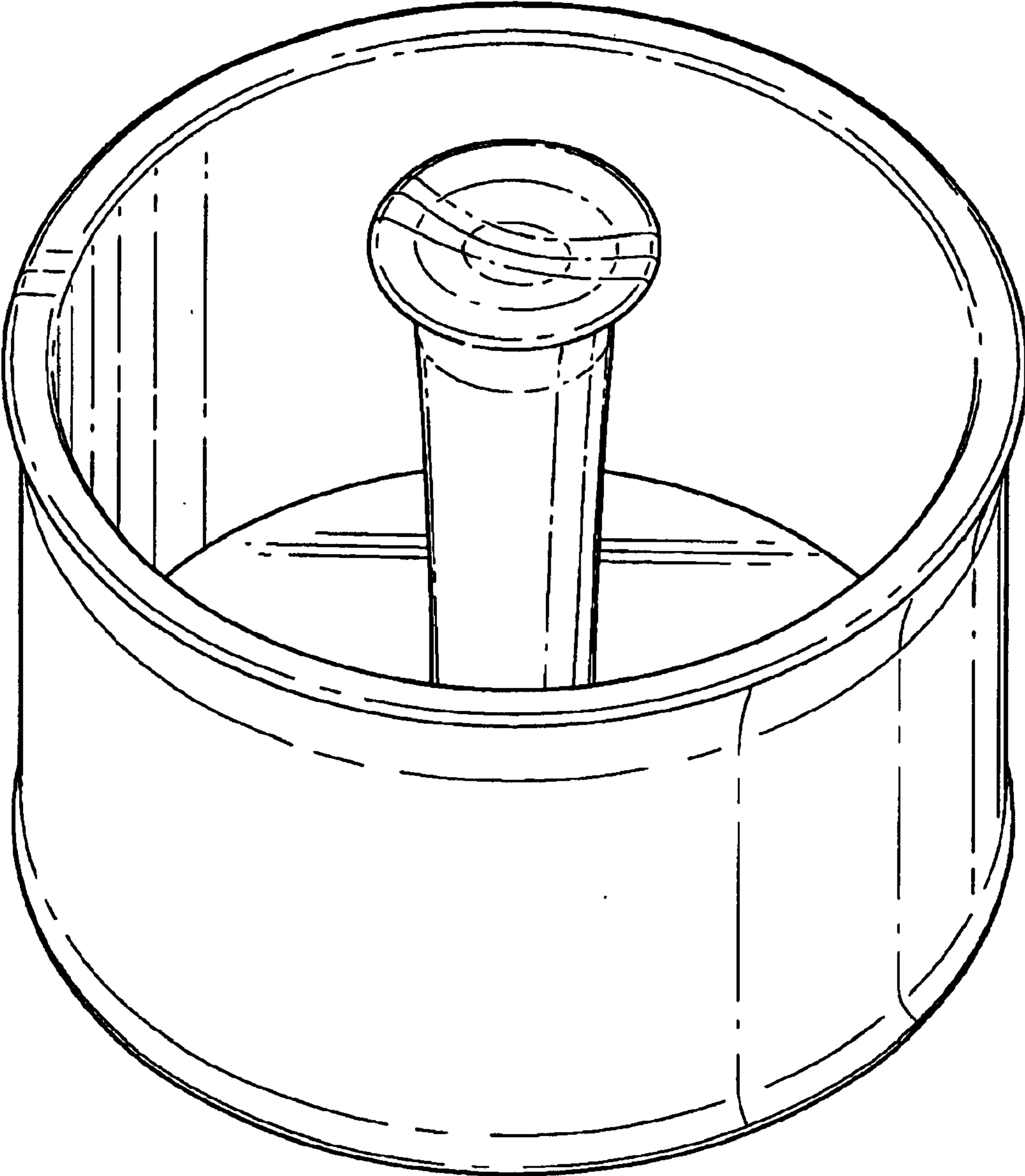


Fig. 3

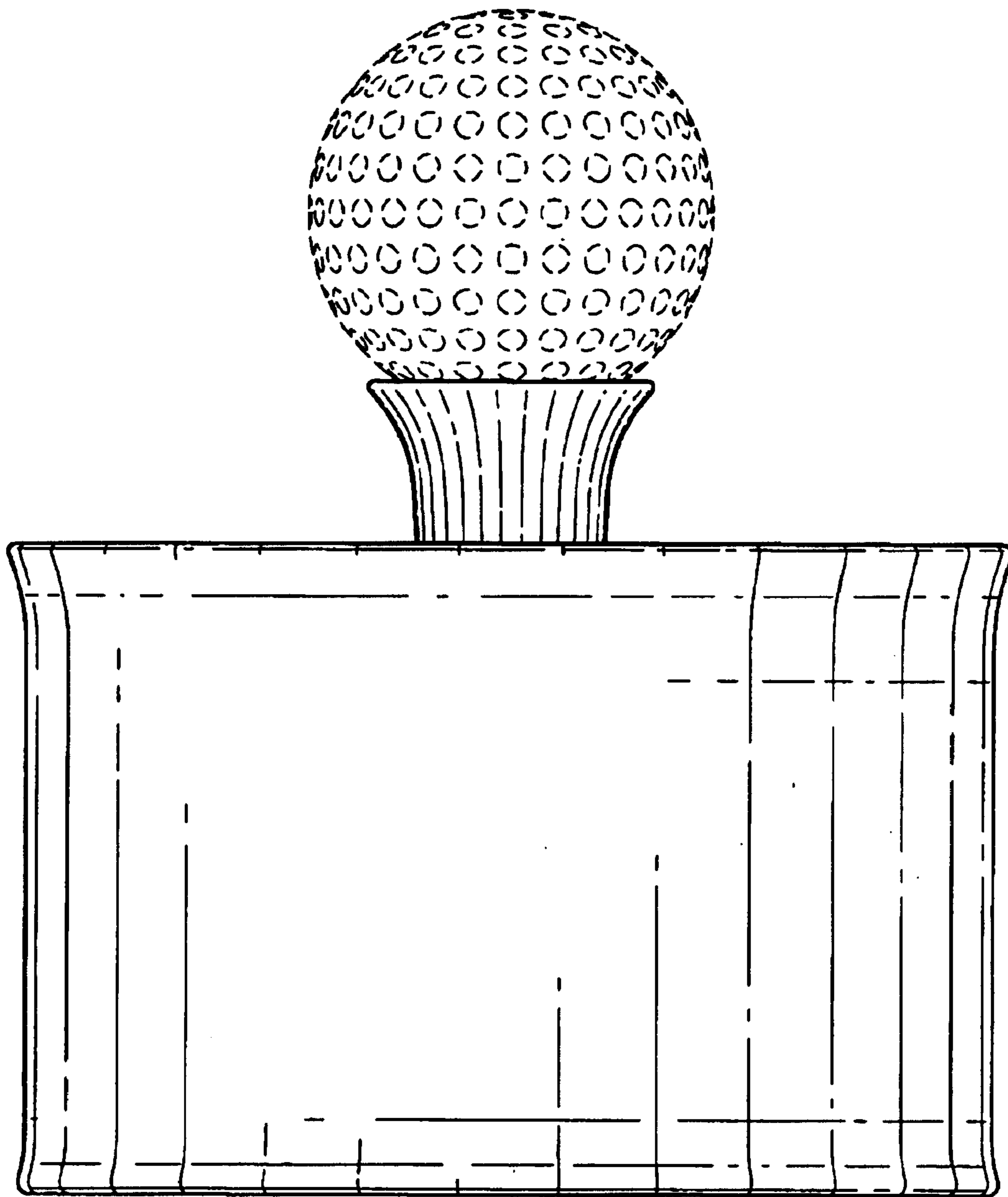


Fig. 4

