

US00D504578S

(12) **United States Design Patent**
Moser

(10) **Patent No.:** **US D504,578 S**

(45) **Date of Patent:** **** May 3, 2005**

(54) **FOOT STOOL**

(75) **Inventor:** **David Moser**, Portland, ME (US)

(73) **Assignee:** **Thos. Moser Cabinetmakers**, Auburn, ME (US)

(**) **Term:** **14 Years**

(21) **Appl. No.:** **29/207,089**

(22) **Filed:** **Jun. 8, 2004**

(51) **LOC (7) Cl.** **06-01**

(52) **U.S. Cl.** **D6/349**

(58) **Field of Search** D6/349-352, 354,
D6/355, 359, 480, 484, 495; 297/423.39,
423.41, 423.42

(56) **References Cited**

U.S. PATENT DOCUMENTS

- D159,947 S * 9/1950 Bell D6/349
- D178,092 S * 6/1956 Van Koert D6/349
- D335,964 S * 6/1993 Diaz-Azcuy D6/349

- D349,960 S * 8/1994 Gyory et al. D24/189
- D445,575 S * 7/2001 Shepard D6/349
- D455,277 S * 4/2002 Hutton D6/349

* cited by examiner

Primary Examiner—Joel A. Sincavage

Assistant Examiner—Vy Nguyen

(74) *Attorney, Agent, or Firm*—Kilpatrick Stockton LLP

(57) **CLAIM**

The ornamental design for a foot stool, as shown and described.

DESCRIPTION

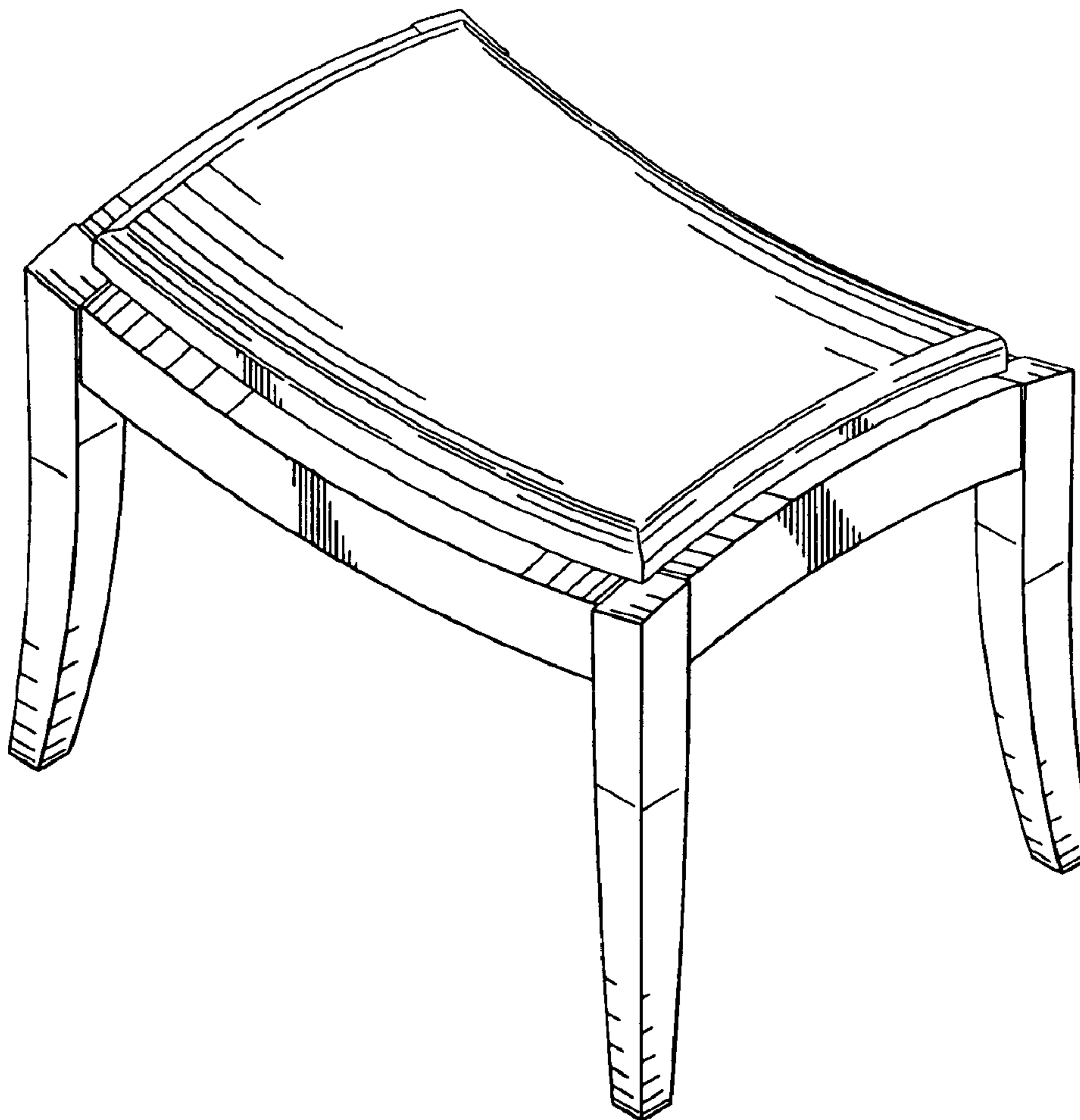
FIG. 1 shows a perspective view of a foot stool showing my new design.

FIG. 2 shows a front view of the foot stool of FIG. 1, the rear view being the same.

FIG. 3 shows a right side view of the foot stool of FIG. 1, the left side view being the same; and,

FIG. 4 shows a top view of the foot stool of FIG. 1.

1 Claim, 3 Drawing Sheets



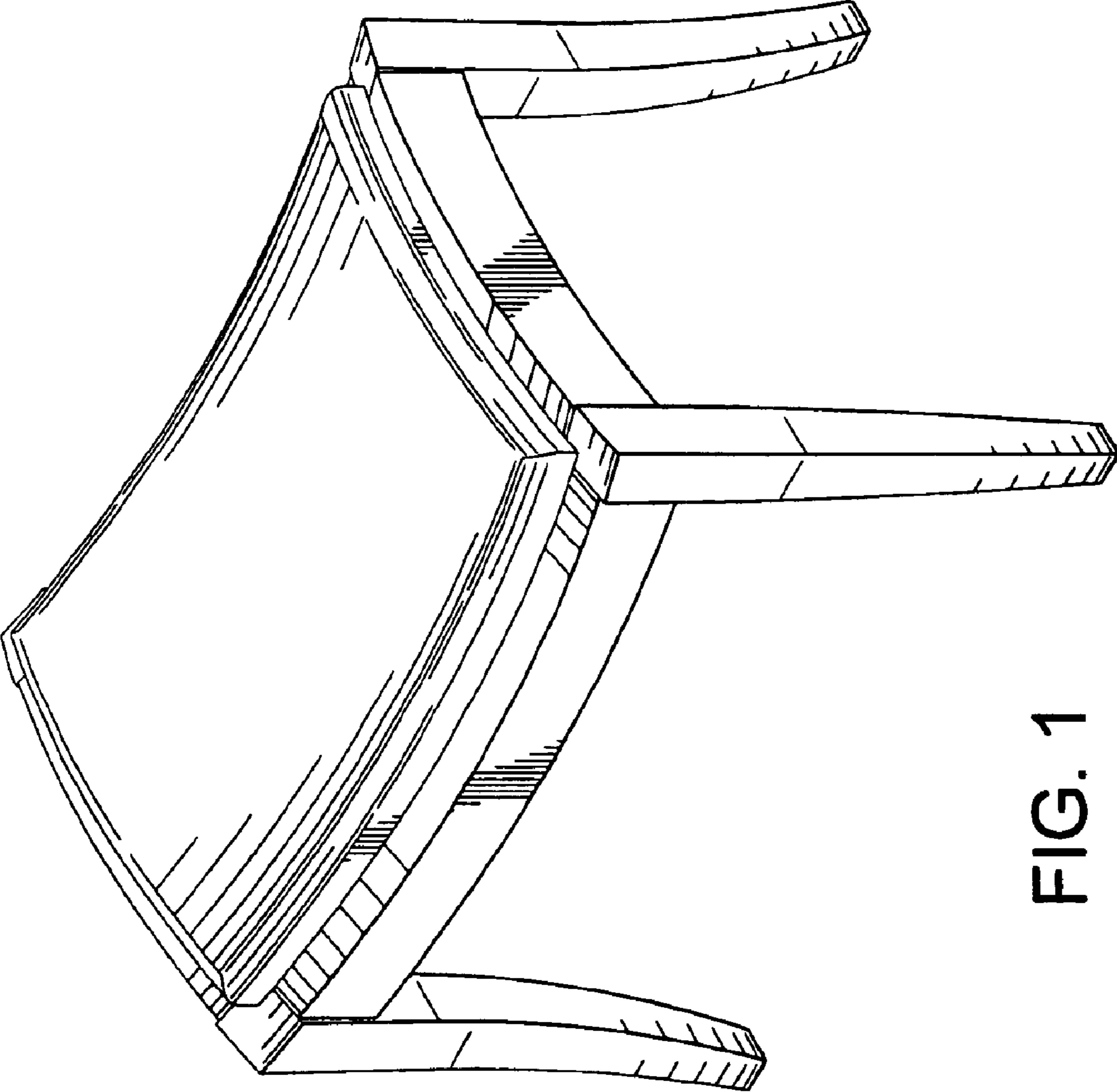


FIG. 1

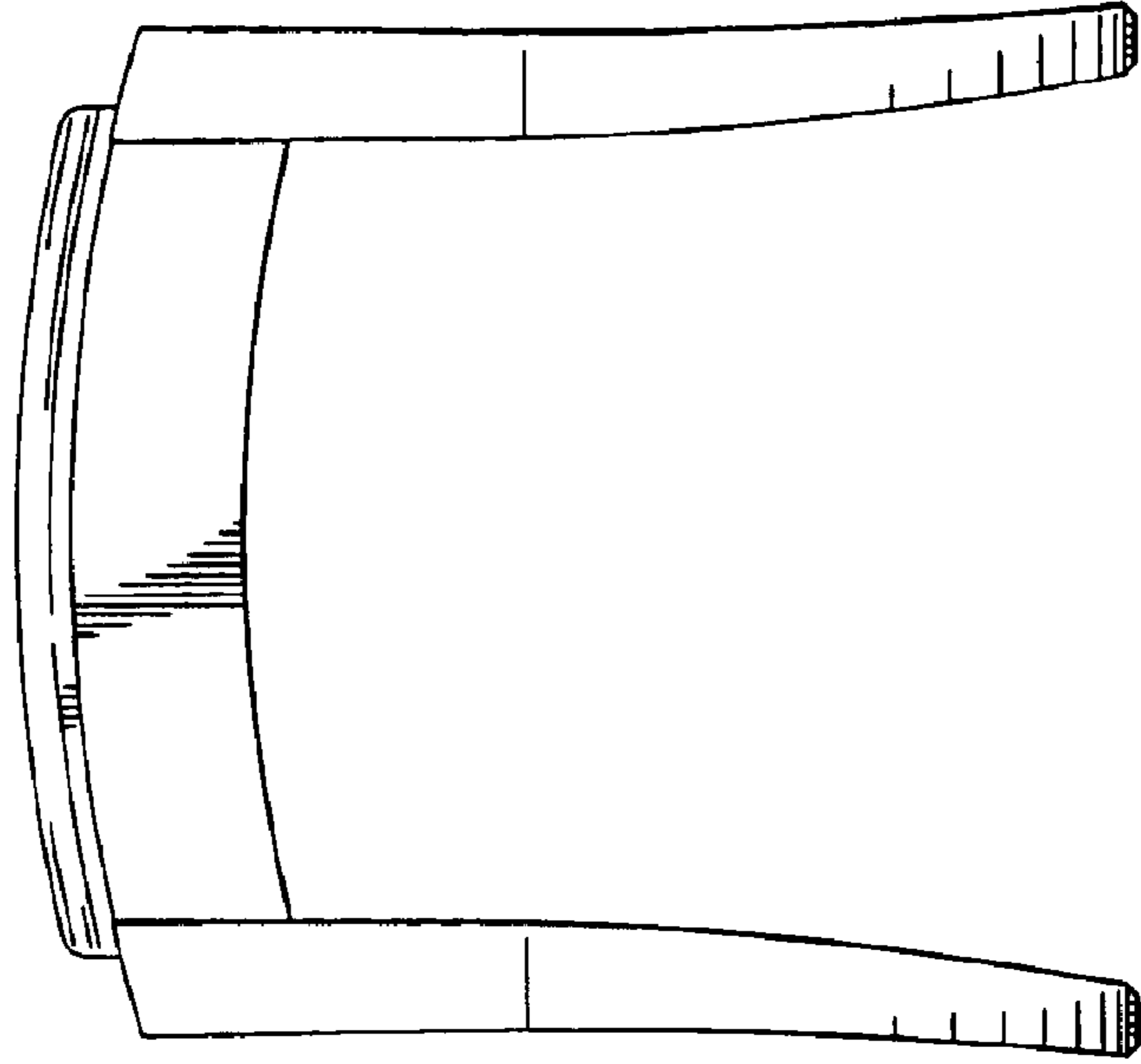


FIG. 2

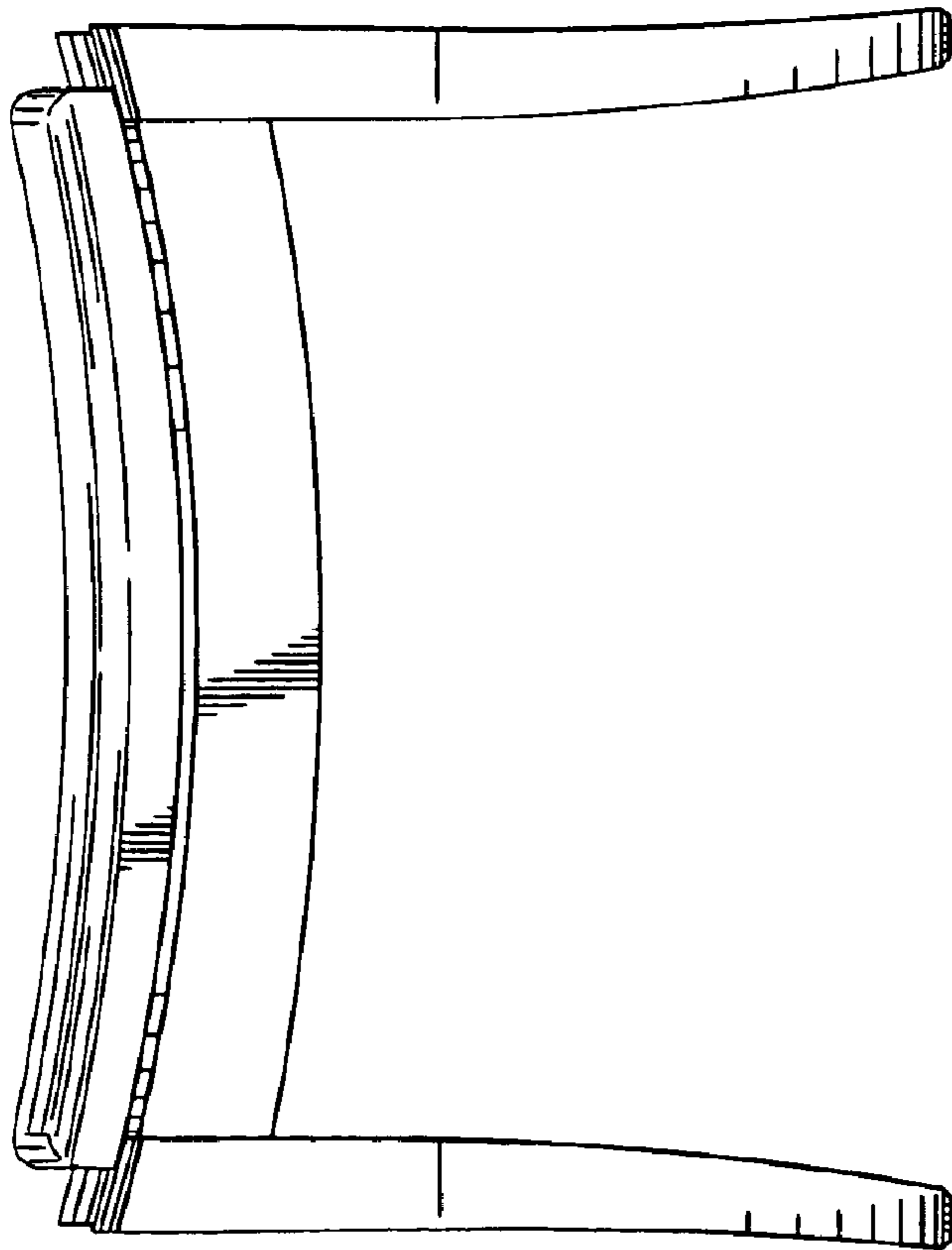


FIG. 3

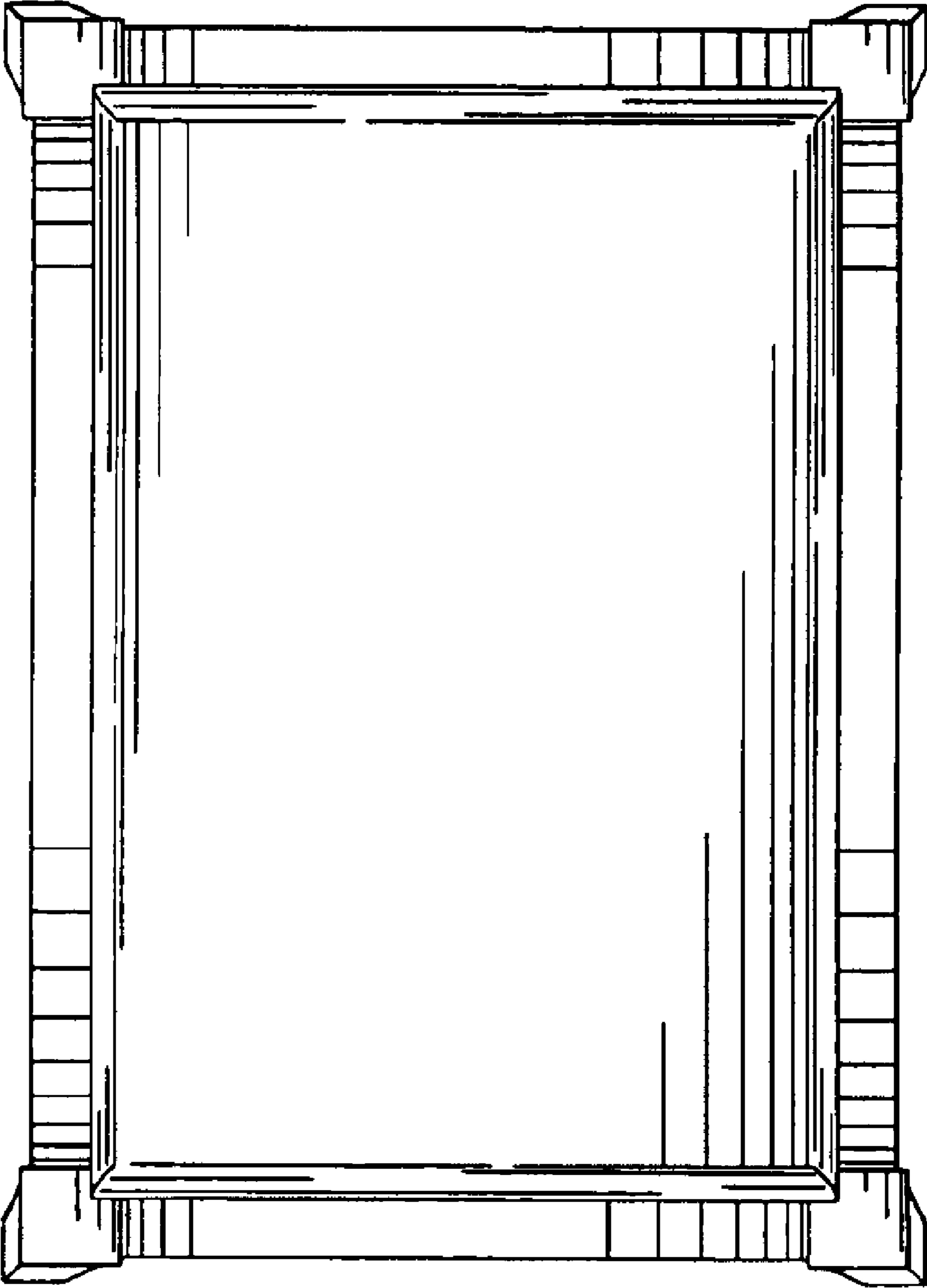


FIG. 4