

US00D504577S

(12) **United States Design Patent**
Mann

(10) **Patent No.:** **US D504,577 S**

(45) **Date of Patent:** **** May 3, 2005**

(54) **HEAVY DUTY HANGER**

D419,310 S * 1/2000 Abdi D6/317

(76) **Inventor:** **Mark Mann**, 54 Elm St. P.O. Box 773,
East Aurora, NY (US) 14052

* cited by examiner

(**) **Term:** **14 Years**

Primary Examiner—Stella Reid
Assistant Examiner—Shanda C. Hill

(21) **Appl. No.:** **29/207,995**

(74) *Attorney, Agent, or Firm*—Law Office of Vincent G. LoTempio; Vincent G. LoTempio

(22) **Filed:** **Jun. 22, 2004**

(57) **CLAIM**

(51) **LOC (7) Cl.** **06-08**

The ornamental design for a heavy duty hanger, as shown and described.

(52) **U.S. Cl.** **D6/319**

(58) **Field of Search** D6/319, 318, 326;
223/85, 88, 90, 91, 93, 95, 96

DESCRIPTION

(56) **References Cited**

FIG. 1 is a perspective view of a heavy duty hanger, showing my new design;
FIG. 2 is a back elevational view thereof, with the opposite side being a mirror image of that shown in FIG. 2;
FIG. 3 is a top plan view thereof;
FIG. 4 a bottom plan view thereof;
FIG. 5 is a side elevational view of the left side of FIG. 2;
and,
FIG. 6 is a side elevational view of the right side of FIG. 2.

U.S. PATENT DOCUMENTS

| | | | | | |
|-------------|---|---------|-----------------|-------|--------|
| D140,337 S | * | 2/1945 | Hill | | D6/319 |
| D206,200 S | * | 11/1966 | Ogg | | D6/319 |
| D290,190 S | * | 6/1987 | Stolarz | | D6/319 |
| D323,070 S | * | 1/1992 | Anderson et al. | | D6/317 |
| D340,137 S | * | 10/1993 | Tocci | | D6/317 |
| 5,381,938 A | * | 1/1995 | Vasudeva | | 223/85 |
| 5,839,629 A | * | 11/1998 | Zuckerman | | 223/85 |

1 Claim, 2 Drawing Sheets

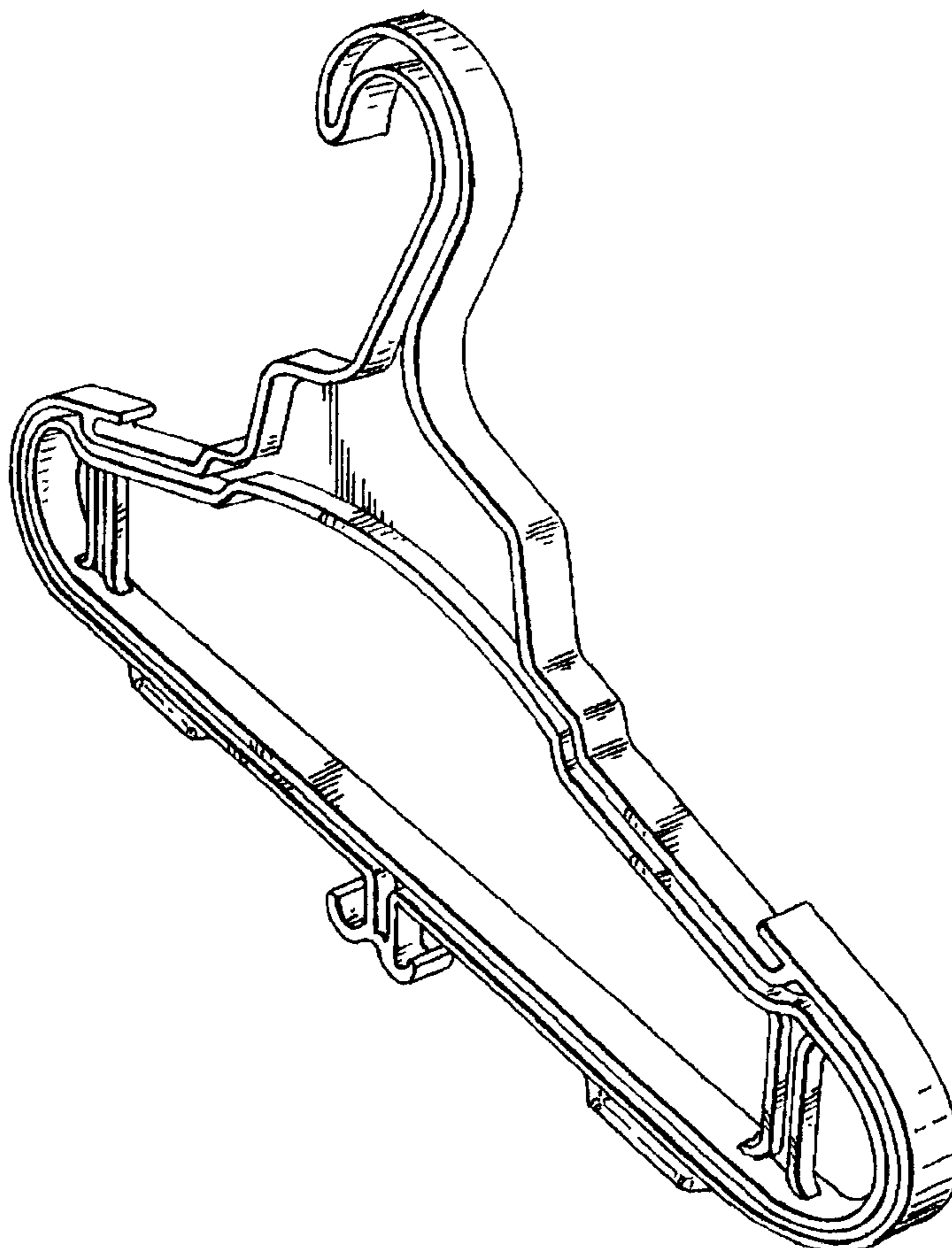


FIG. 1

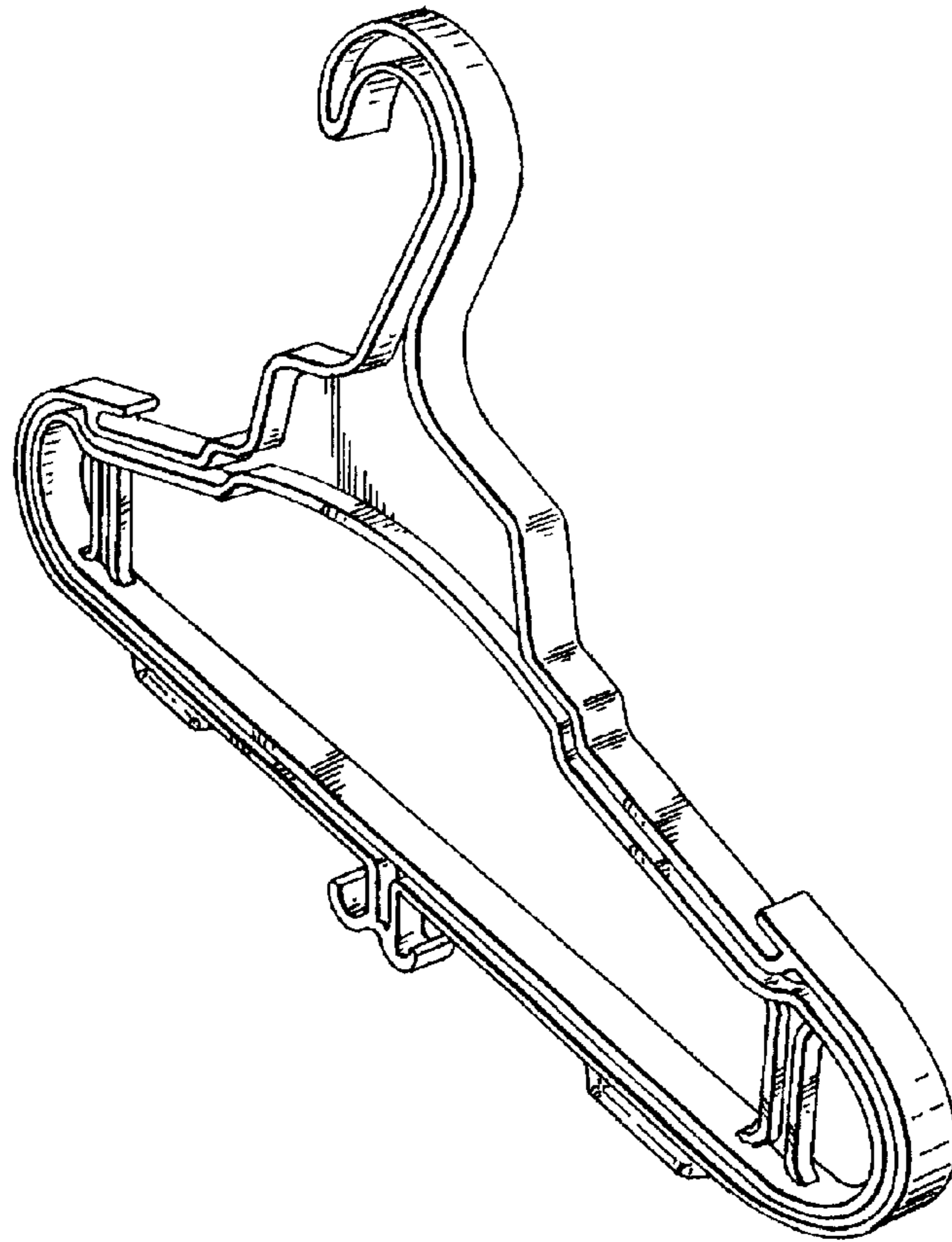
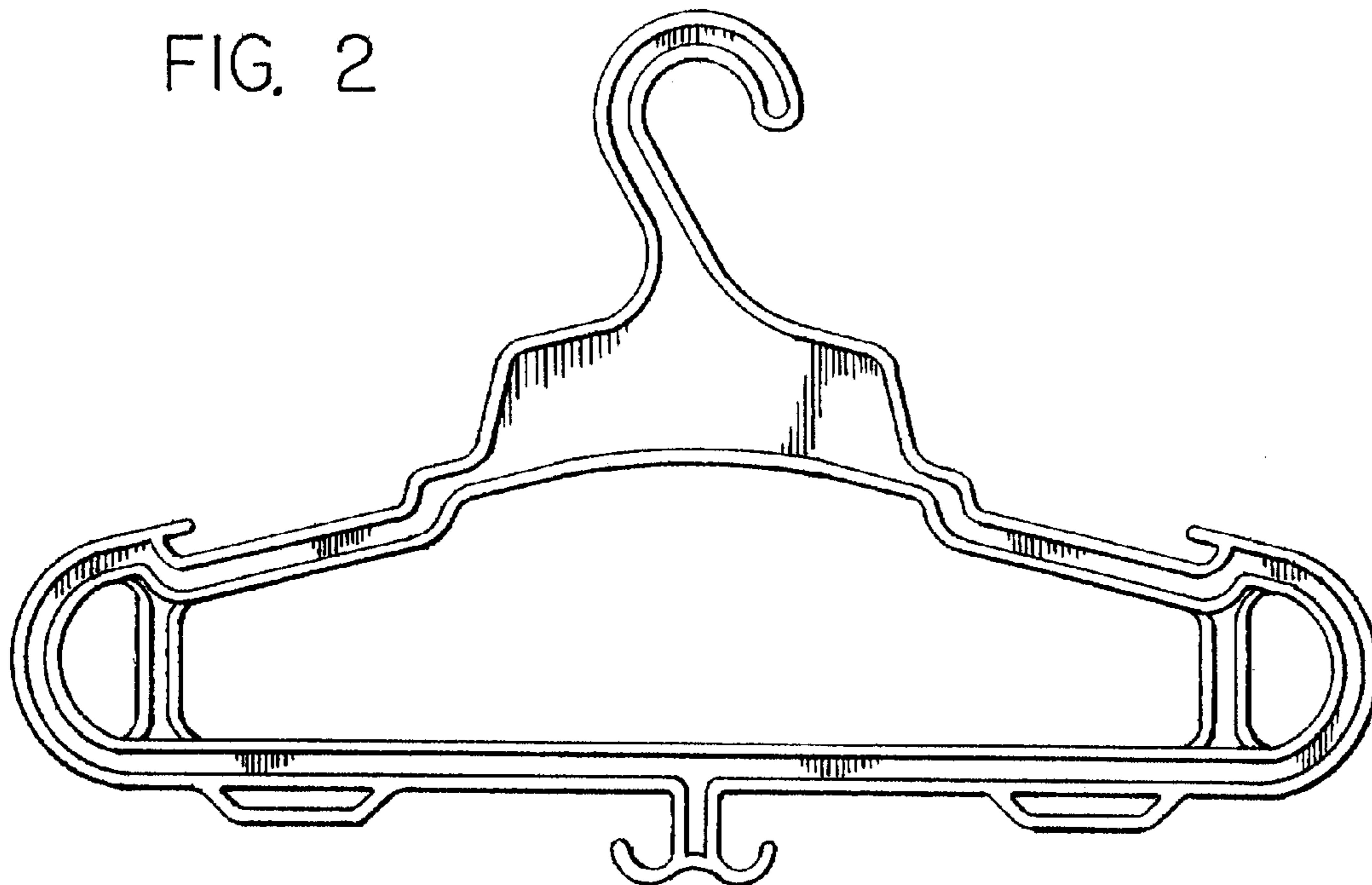


FIG. 2



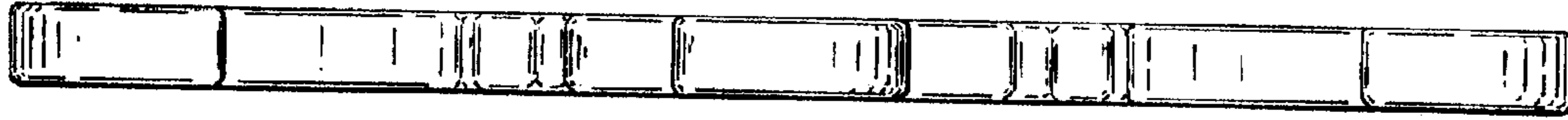


FIG. 3

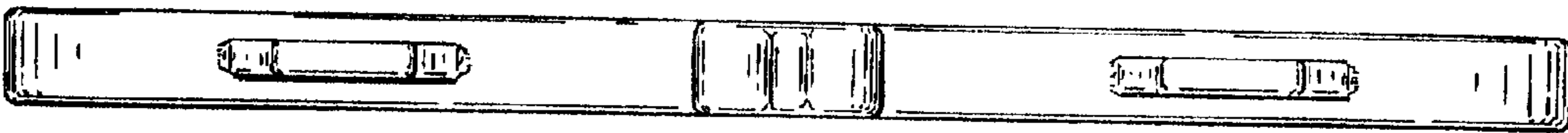


FIG. 4



FIG. 5



FIG. 6