

US00D504568S

(12) **United States Design Patent**
Willison

(10) **Patent No.:** **US D504,568 S**

(45) **Date of Patent:** **** May 3, 2005**

(54) **TOOL TRAY**

(76) **Inventor:** **George R. Willison**, 6465 Polo Dr.,
Cumming, GA (US) 30040

(**) **Term:** **14 Years**

(21) **Appl. No.:** **29/199,529**

(22) **Filed:** **Feb. 17, 2004**

(51) **LOC (7) Cl.** **03-01**

(52) **U.S. Cl.** **D3/310**

(58) **Field of Search** D3/310, 304, 307,
D3/308, 313, 315, 901; D32/53.1; D7/550.1,
555, 602; 206/372-373, 557, 550, 561,
510, 574; 220/500, 553, 555, 241, 350

(56) **References Cited**

U.S. PATENT DOCUMENTS

1,934,686 A	11/1933	Goertz et al.	220/4.01
2,129,488 A	9/1938	Bomberger	206/145
2,730,561 A	1/1956	Cuff et al.	206/521
D176,844 S	2/1956	Evans	D3/309
2,847,100 A	8/1958	Hotchner	206/504
2,951,612 A	9/1960	Salzenbrodt	220/632
3,407,757 A	10/1968	Warner	108/43
3,490,583 A	1/1970	Cook	206/386
3,618,749 A	11/1971	Vaccaro	206/16
4,052,944 A	10/1977	Jennings	108/43
4,691,725 A	9/1987	Parisi	134/184
4,844,279 A	7/1989	Chalat	220/22

5,031,769 A	7/1991	Shea et al.	206/335
5,117,979 A	6/1992	Brightbill	206/372
5,405,004 A	4/1995	Vest et al.	206/350
D358,710 S	* 5/1995	Meyers et al.	D3/310
D371,876 S	* 7/1996	Albert et al.	D32/53.1
5,669,910 A	9/1997	Korhonen et al.	206/373
D386,616 S	* 11/1997	Nimer	D3/308
5,738,216 A	4/1998	Warner	206/523
5,803,586 A	9/1998	Velez et al.	362/154
D433,568 S	11/2000	Willison	D3/310
D472,711 S	* 4/2003	Chen	D3/313
D492,113 S	* 6/2004	Bayer et al.	D3/310

* cited by examiner

Primary Examiner—Catherine R. Oliver

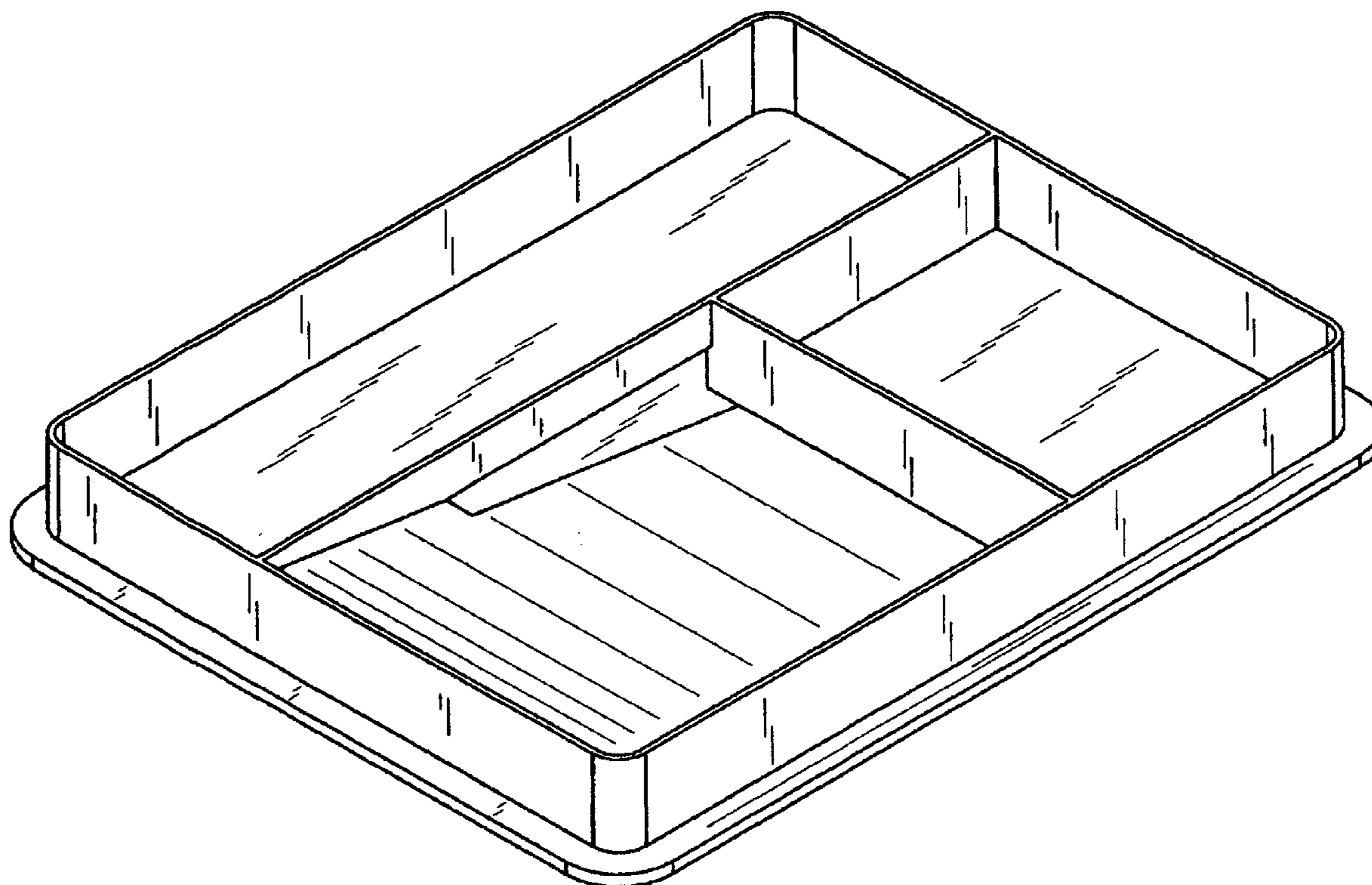
(57) **CLAIM**

The ornamental design for a tool tray, as shown and described.

DESCRIPTION

FIG. 1 is a top, right side perspective view of a tool tray embodying my design;
FIG. 2 is a bottom plan view thereof;
FIG. 3 is a top plan view thereof;
FIG. 4 is a front elevational view thereof; the rear elevational view being a mirror image thereof; and,
FIG. 5 is a right side elevational view thereof; the left side elevational view being a mirror image thereof.

1 Claim, 4 Drawing Sheets



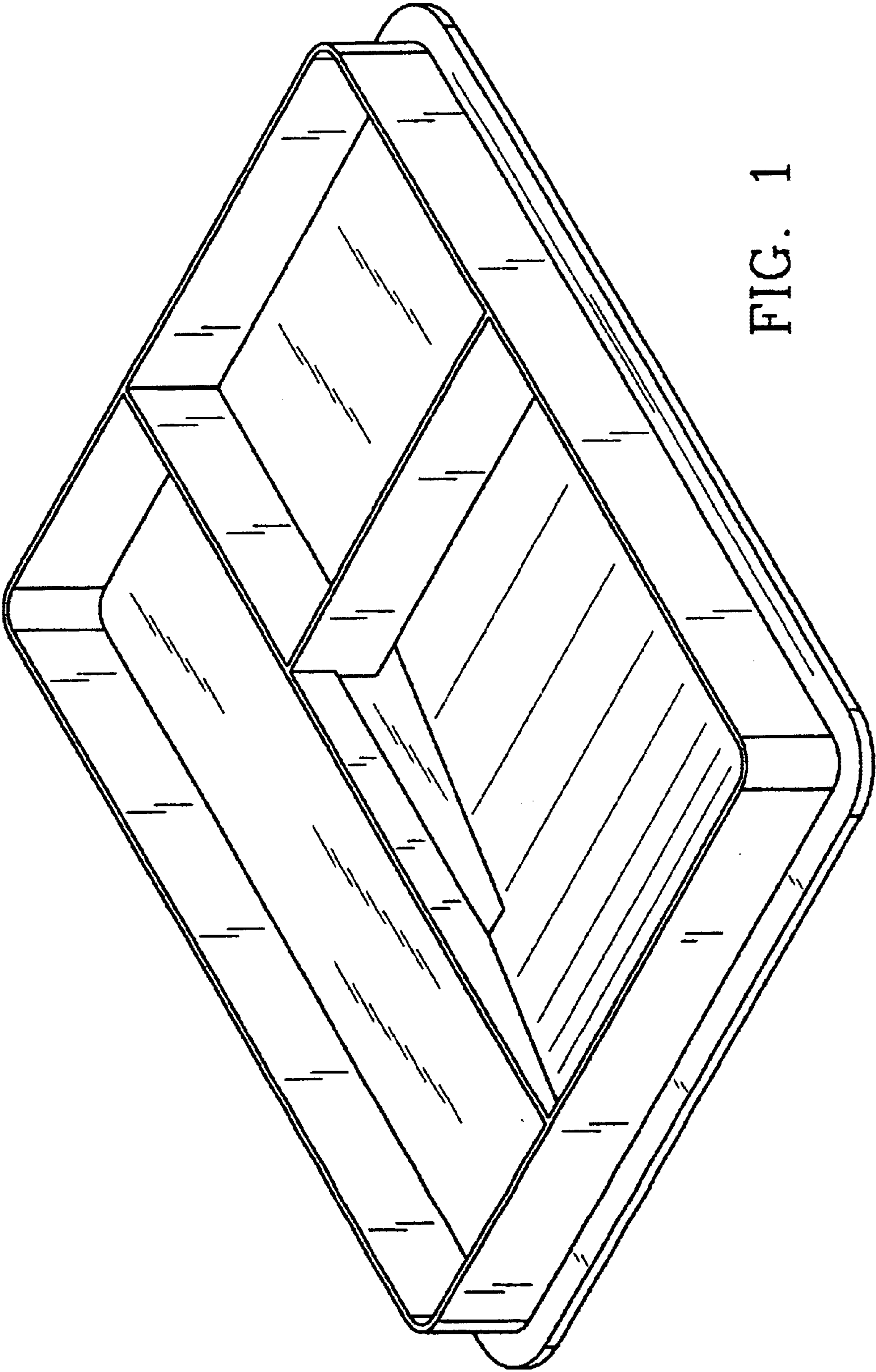


FIG. 1

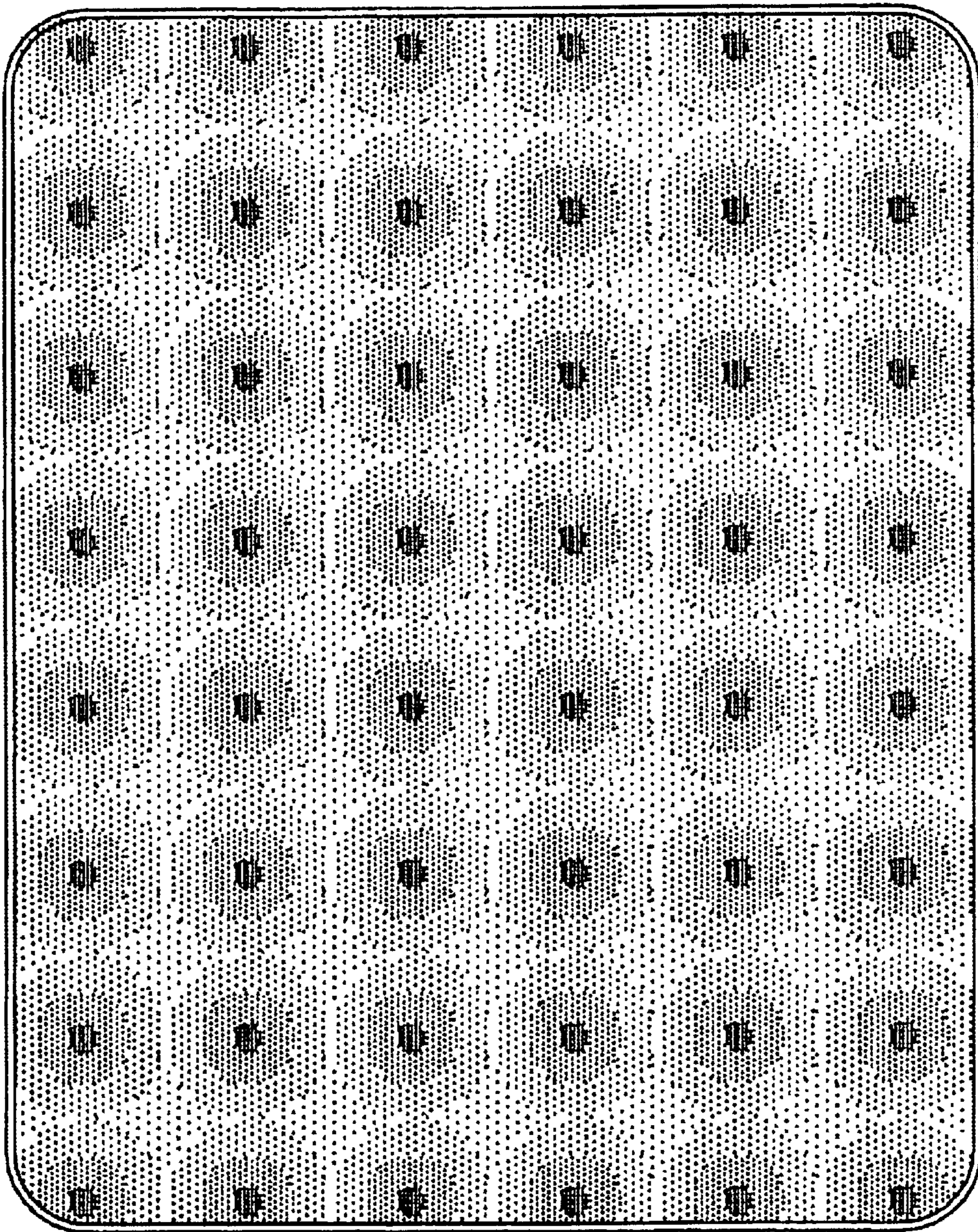


FIG. 2

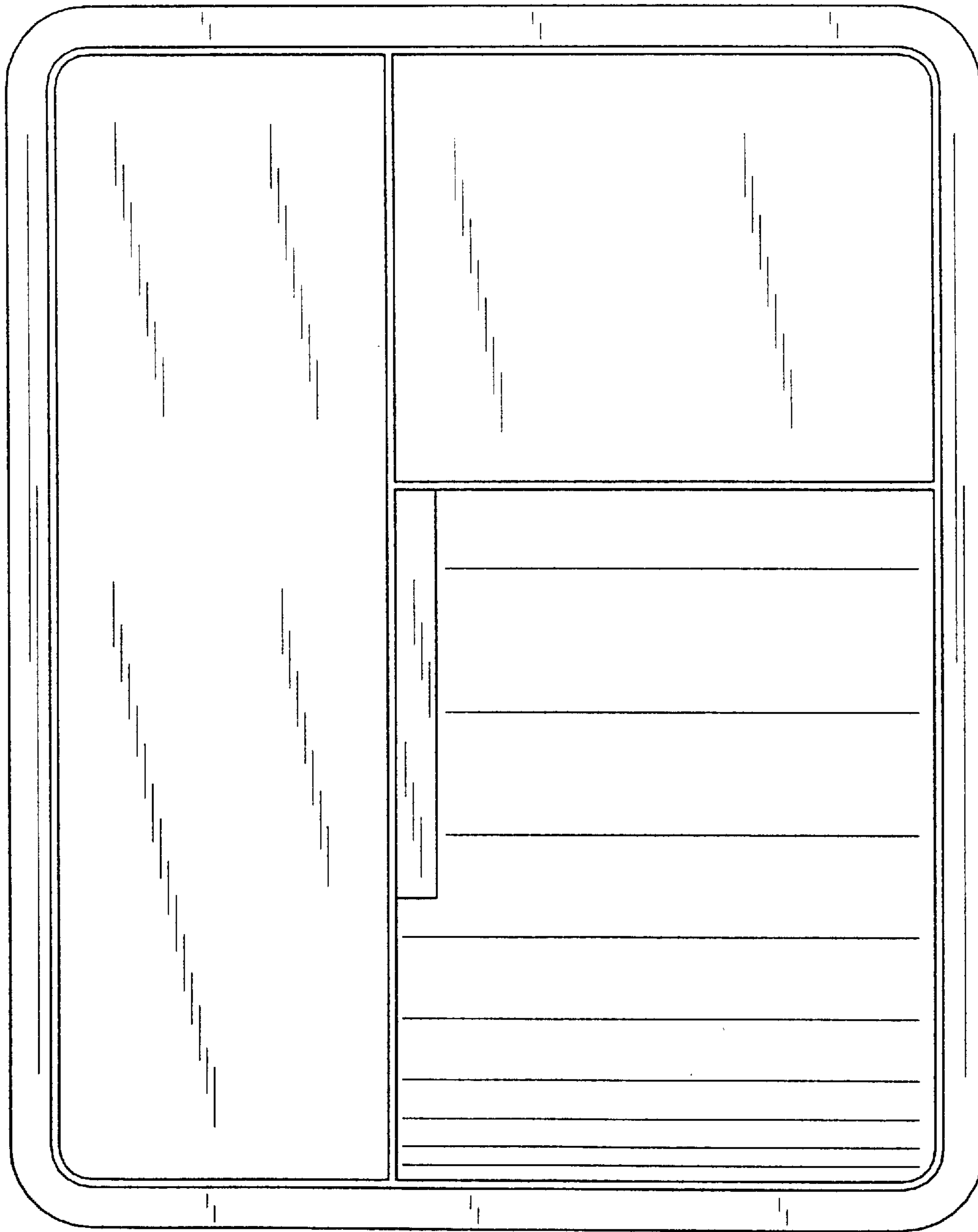


FIG. 3

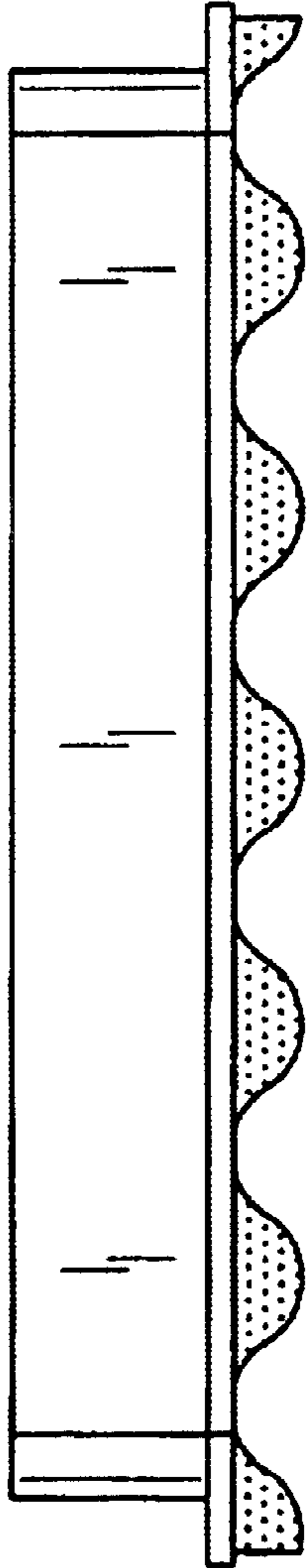


FIG. 4

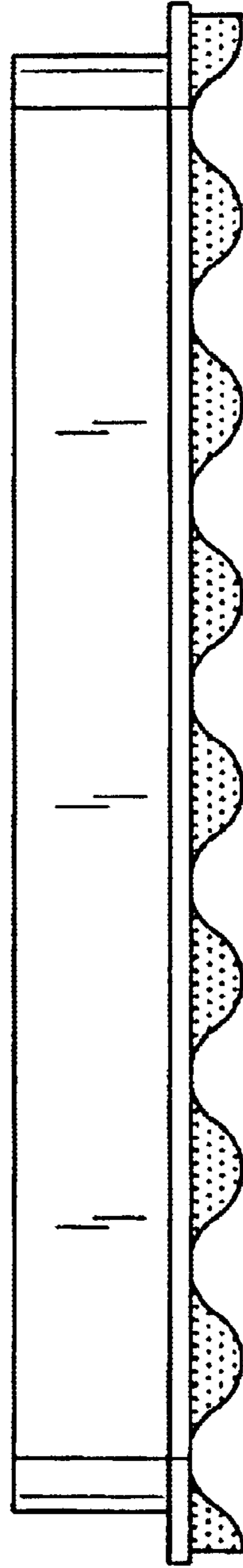


FIG. 5