

US00D504567S

(12) **United States Design Patent**
Peterson

(10) **Patent No.:** **US D504,567 S**

(45) **Date of Patent:** **** May 3, 2005**

(54) **ADJUSTABLE TRAY**

(75) **Inventor:** **Leroy L. Peterson**, Omaha, NE (US)

(73) **Assignee:** **Sportsstuff, Inc.**, Omaha, NE (US)

(**) **Term:** **14 Years**

(21) **Appl. No.:** **29/178,052**

(22) **Filed:** **Mar. 20, 2003**

(51) **LOC (7) Cl.** **03-01**

(52) **U.S. Cl.** **D3/305**

(58) **Field of Search** D3/304, 305, 310,
D3/319; D19/75, 78, 86, 90-92, 99-100,
65; 211/10-11, 126.1-126.7; 281/44

(56) **References Cited**

U.S. PATENT DOCUMENTS

- 4,469,231 A * 9/1984 Hehn 211/11
- D456,454 S * 4/2002 Bond et al. D19/92
- D495,005 S * 8/2004 Stravitz D19/75

OTHER PUBLICATIONS

Staples Office Products, Rubbermaid Basic Side Load Stackable Trays, 3"high, Letter, Recycled Ebony, Multi Pak, 2004.*

* cited by examiner

Primary Examiner—Catherine R. Oliver

(74) *Attorney, Agent, or Firm*—Sturm & Fix LLP

(57) **CLAIM**

The ornamental design for an adjustable tray, as shown and described.

DESCRIPTION

FIG. 1 is a perspective view of the adjustable tray showing my new design;
 FIG. 2 is a top plan view thereof;
 FIG. 3 is a bottom plan view thereof;
 FIG. 4 is a left side elevational view, the right side view being a mirror image thereof; and,
 FIG. 5 is a front elevational view, the rear view being a mirror image thereof.

1 Claim, 2 Drawing Sheets

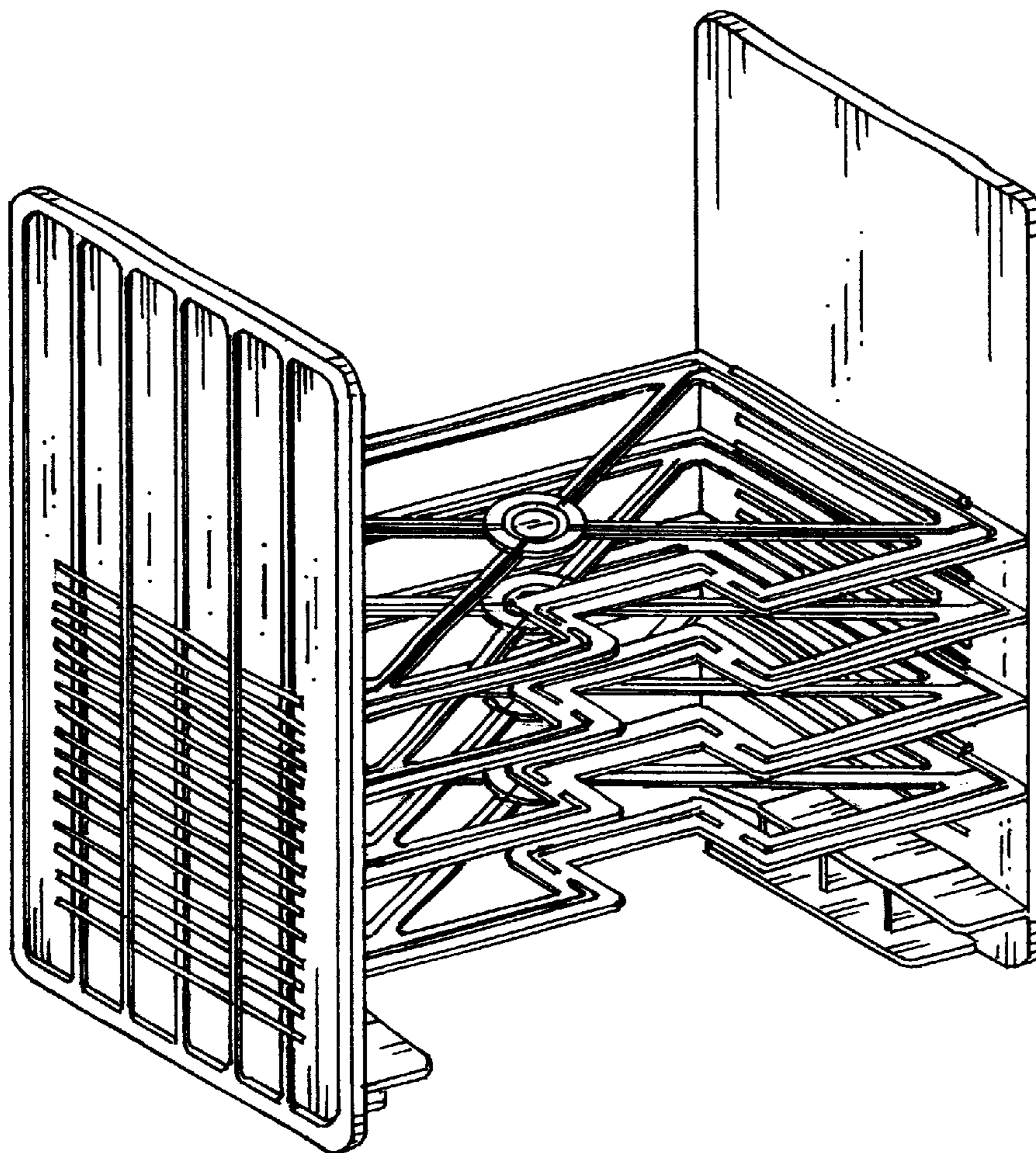


Fig. 1

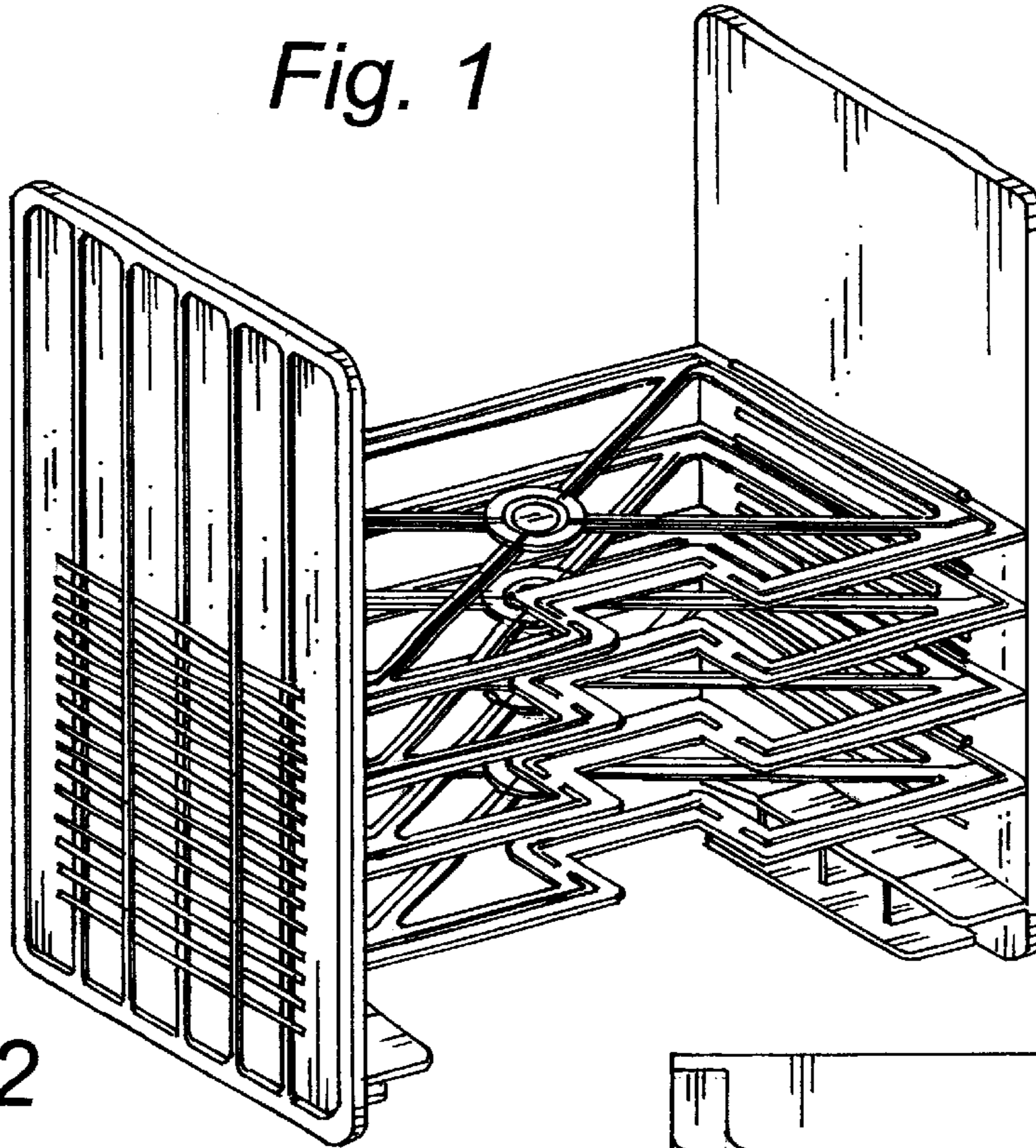


Fig. 2

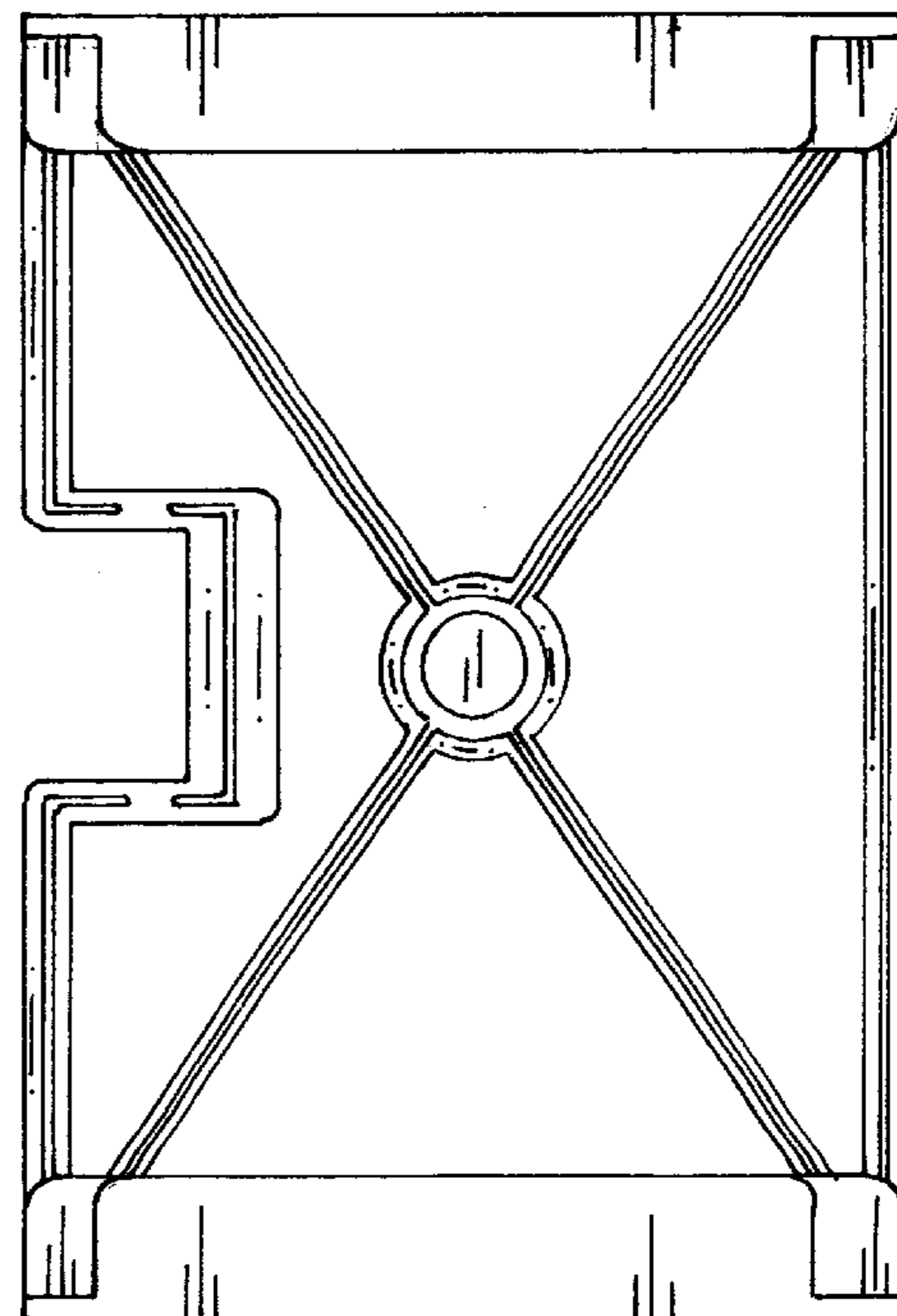
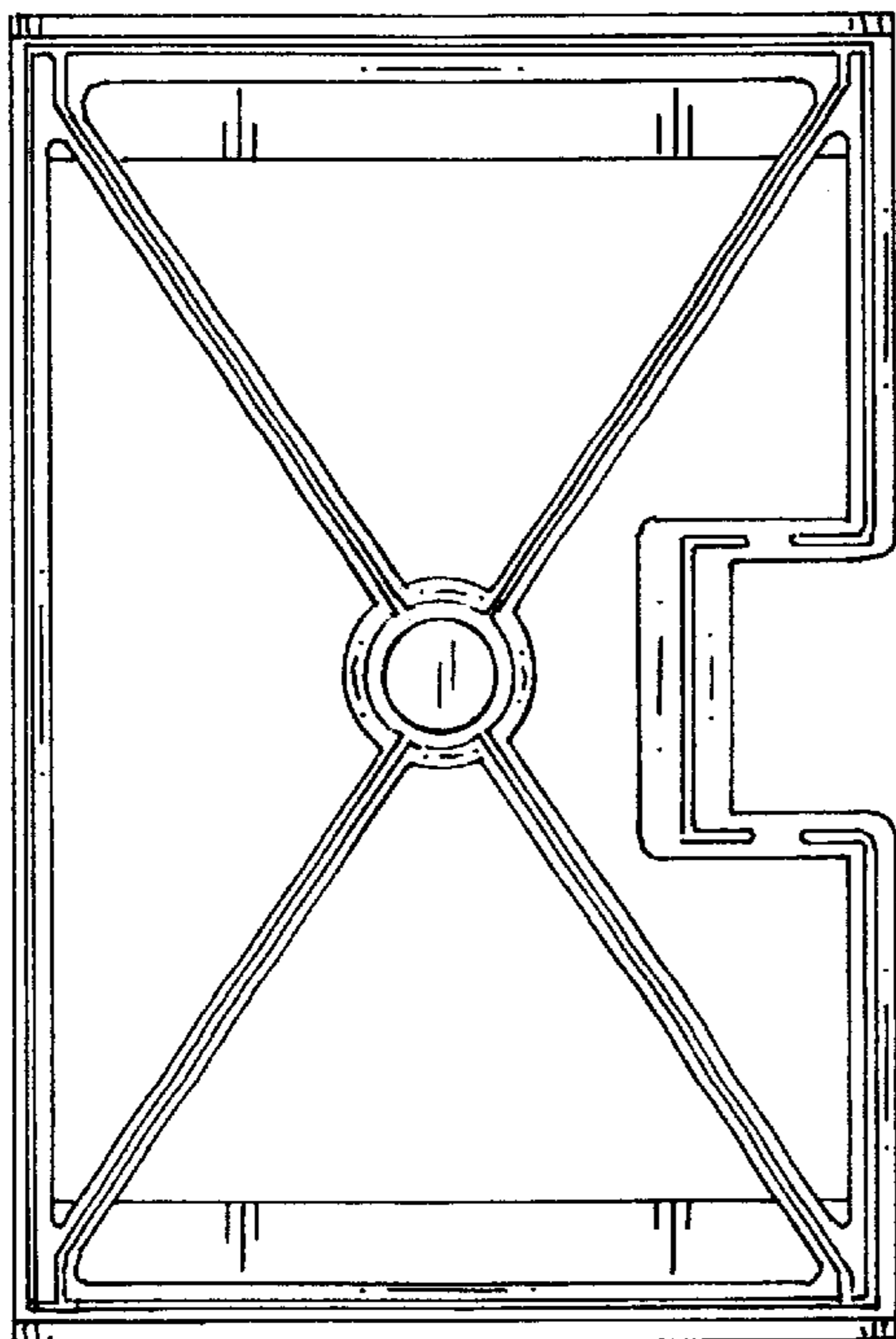


Fig. 3

Fig. 4

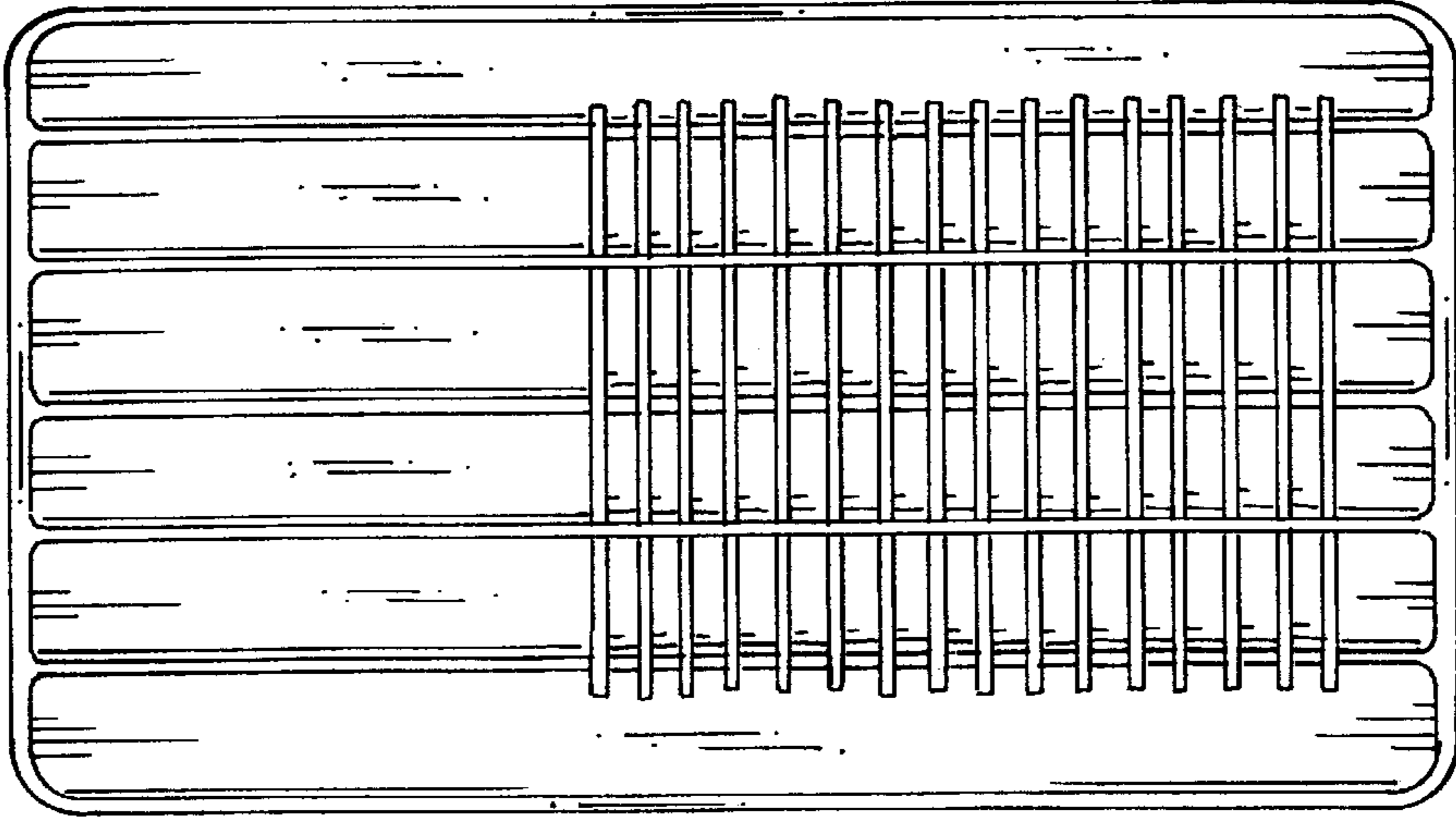


Fig. 5

