

US00D504566S

(12) **United States Design Patent** (10) **Patent No.:** **US D504,566 S**
Guy (45) **Date of Patent:** **** May 3, 2005**

(54) **PICNIC BASKET**

(75) Inventor: **Kevin Guy**, Simi Valley, CA (US)
(73) Assignee: **Picnictime, Inc.**, Moorpark, CA (US)
(**) Term: **14 Years**

(21) Appl. No.: **29/168,802**
(22) Filed: **Oct. 8, 2002**

(51) **LOC (7) Cl.** **03-01**
(52) **U.S. Cl.** **D3/277; D3/306**
(58) **Field of Search** **D3/273, 274, 276,**
D3/277, 294, 295; 217/122, 125; D7/709;
206/541, 542, 553

(56) **References Cited**

U.S. PATENT DOCUMENTS

2,537,725	A	*	1/1951	Watson	217/122
2,808,171	A	*	10/1957	Wilson	217/124
4,499,999	A	*	2/1985	Behar	206/546
D289,127	S	*	4/1987	Blumenthal	D7/709
D320,142	S	*	9/1991	Kin	D7/709
D333,386	S	*	2/1993	Kahl	D3/288
D396,748	S	*	8/1998	Dodds	D3/277
D415,897	S	*	11/1999	Lacy et al.	D3/277
6,247,328	B1	*	6/2001	Mogil	62/457.2

OTHER PUBLICATIONS

Boudin Sourdough Bakery Catalog, Fall 2001, p. 18, Picnic Bakery.*
Cook's Market Catalog, 2002, p. 2, Picnic Basket.*
* cited by examiner

Primary Examiner—Philip S. Hyder
(74) *Attorney, Agent, or Firm*—Koppel, Jacobs Patrick & Heybl

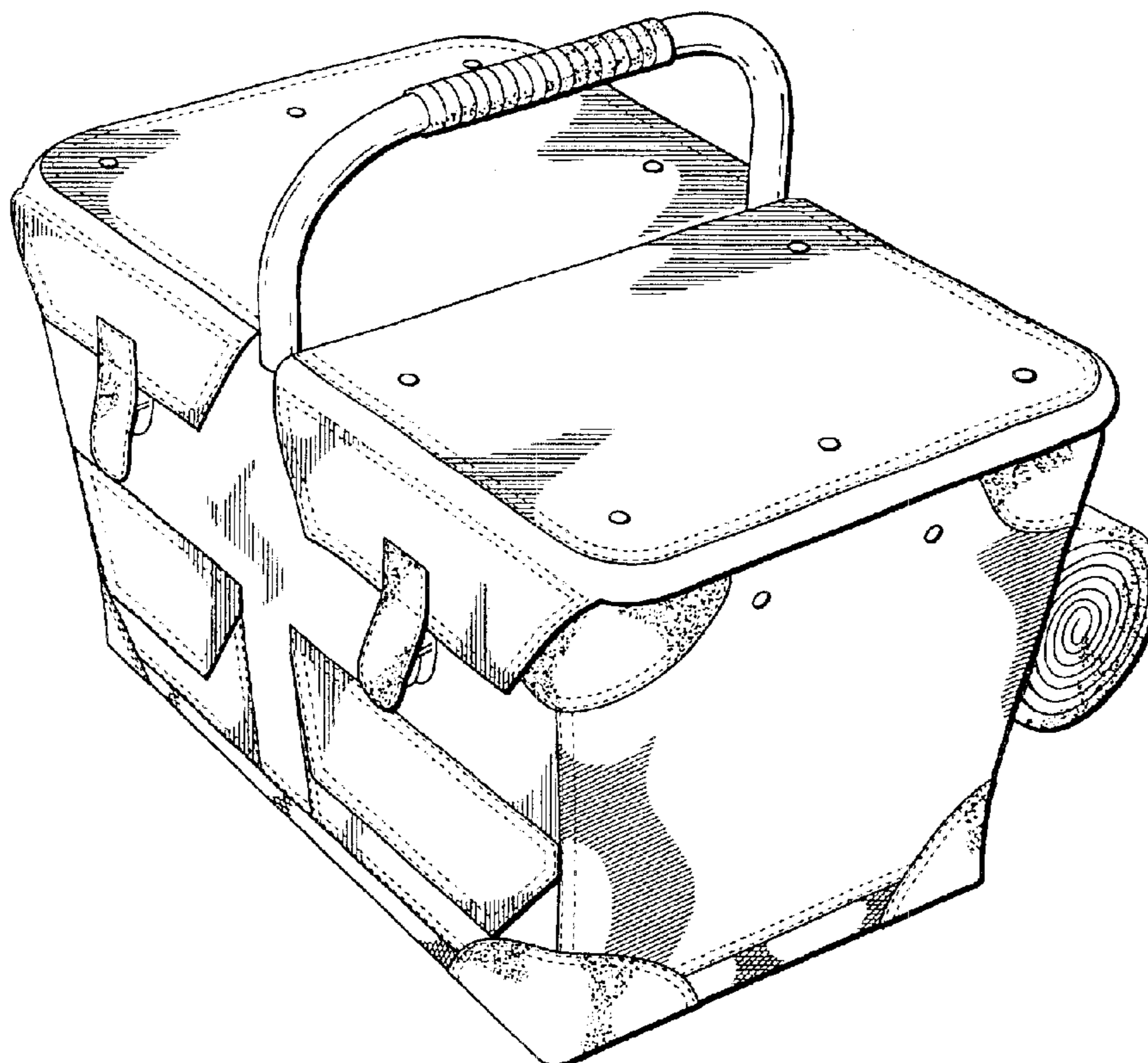
(57) **CLAIM**

The ornamental design for a picnic basket, as shown and described.

DESCRIPTION

FIG. 1 is a perspective view of a picnic basket showing our new design;
FIG. 2 is a front elevation view of the design in FIG. 1;
FIG. 3 is a back elevation view of the design in FIG. 1;
FIG. 4 is left side elevation view of the design in FIG. 1;
FIG. 5 is a right side elevation view of the design in FIG. 1;
FIG. 6 is a top plan view of the design in FIG. 1;
FIG. 7 is a bottom plan view of the design in FIG. 1; and,
FIG. 8 is a right side perspective view of my design in FIG. 1, with the picnic basket opened.

1 Claim, 6 Drawing Sheets



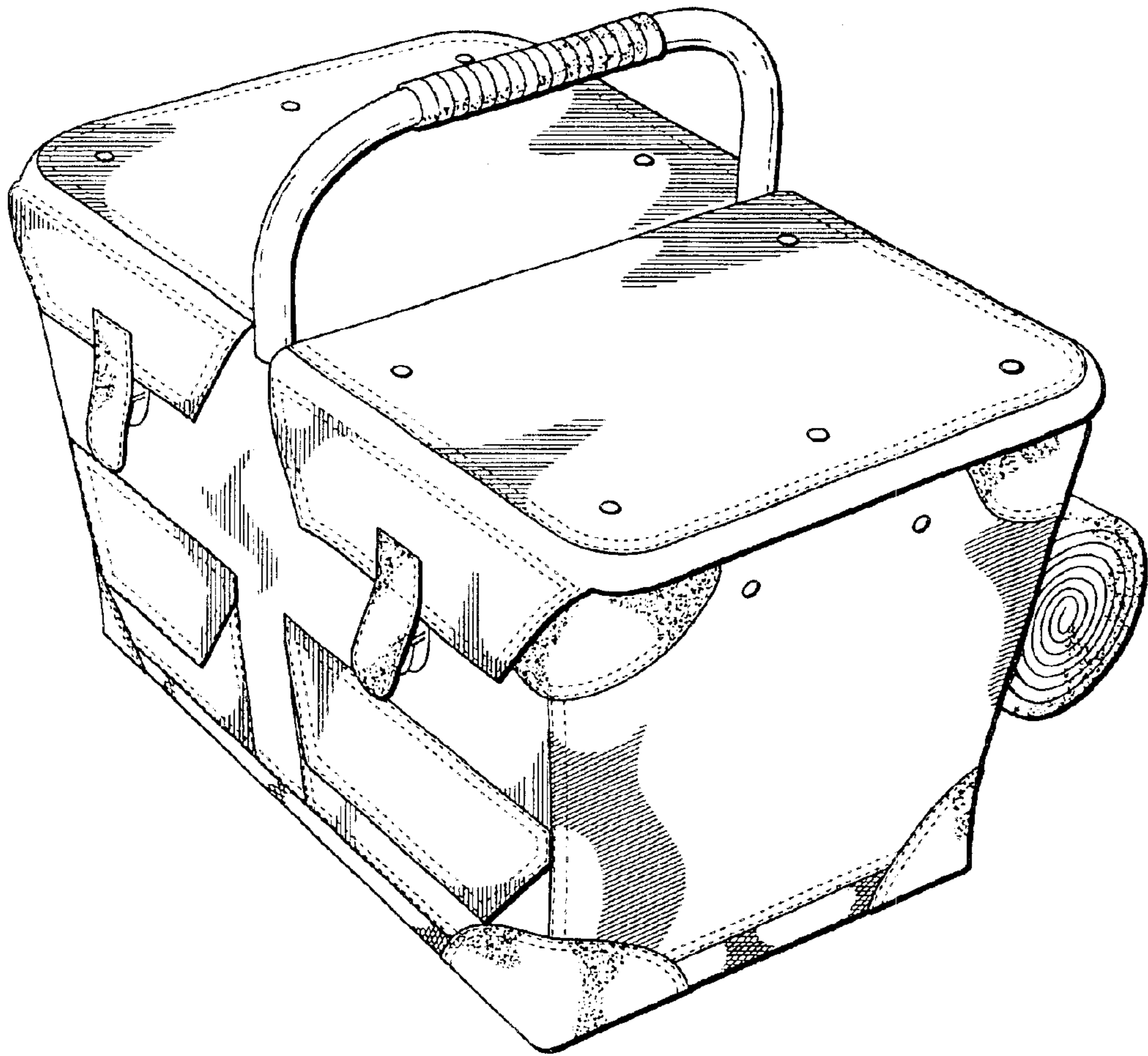


FIG. 1

FIG. 2

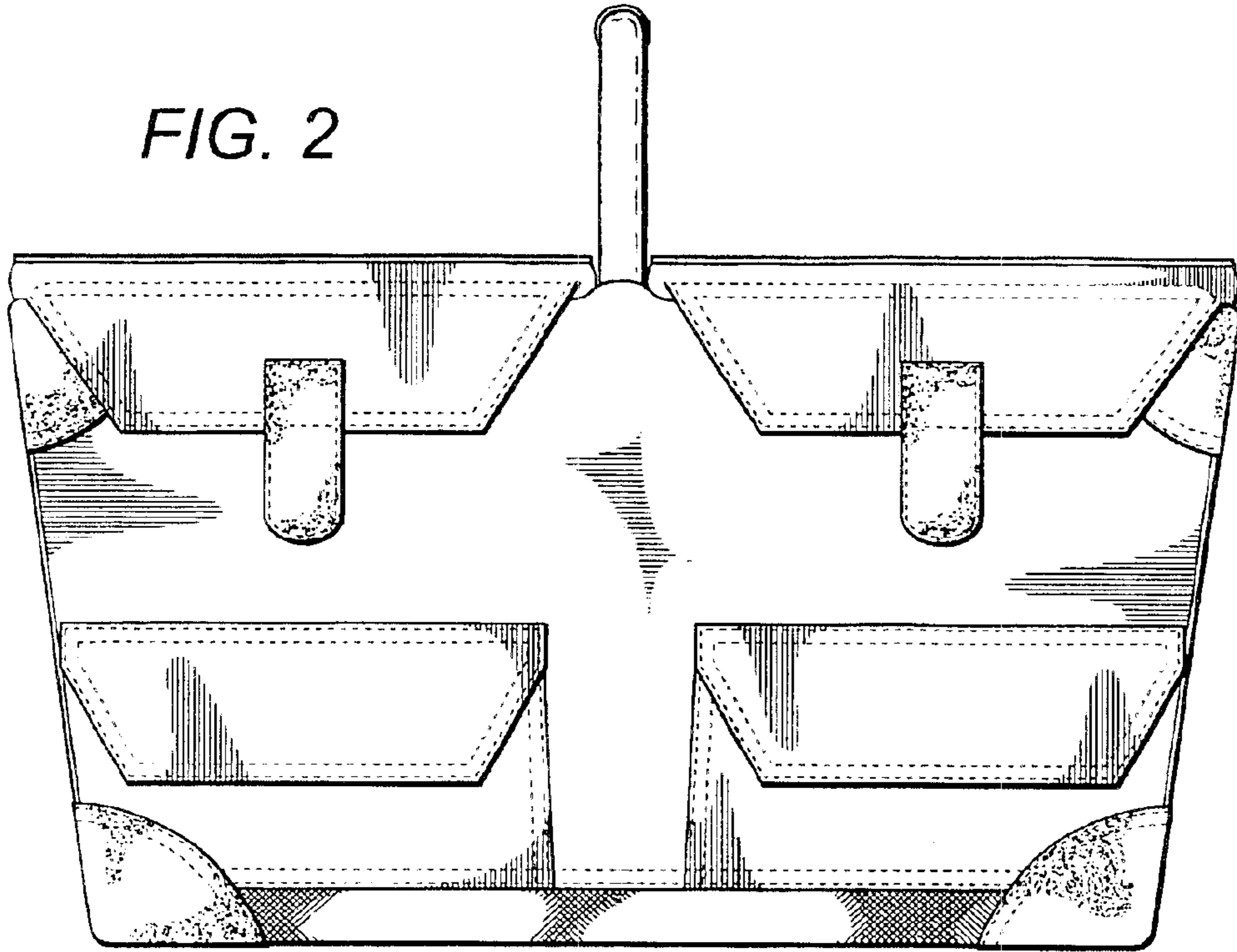


FIG. 3

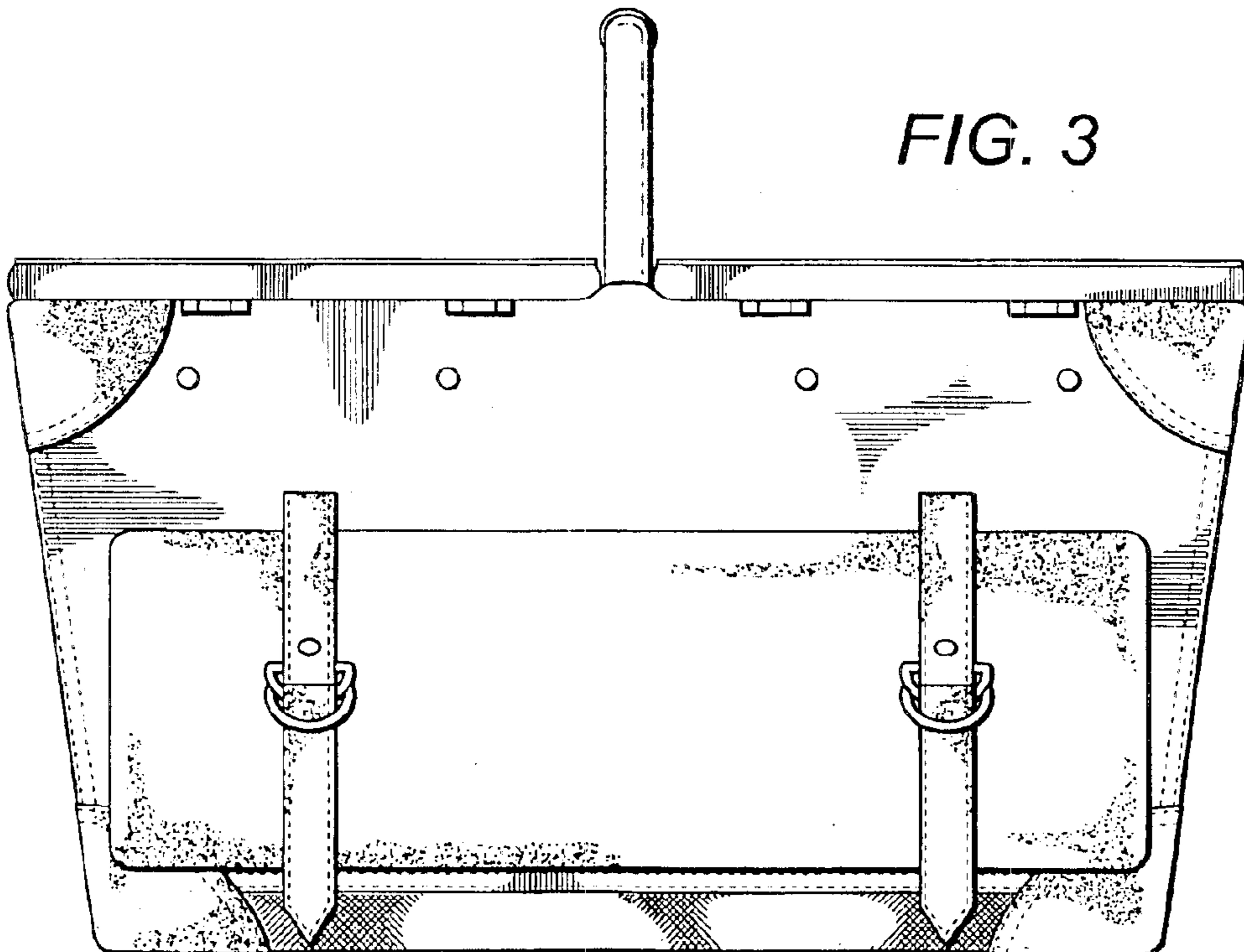


FIG. 4

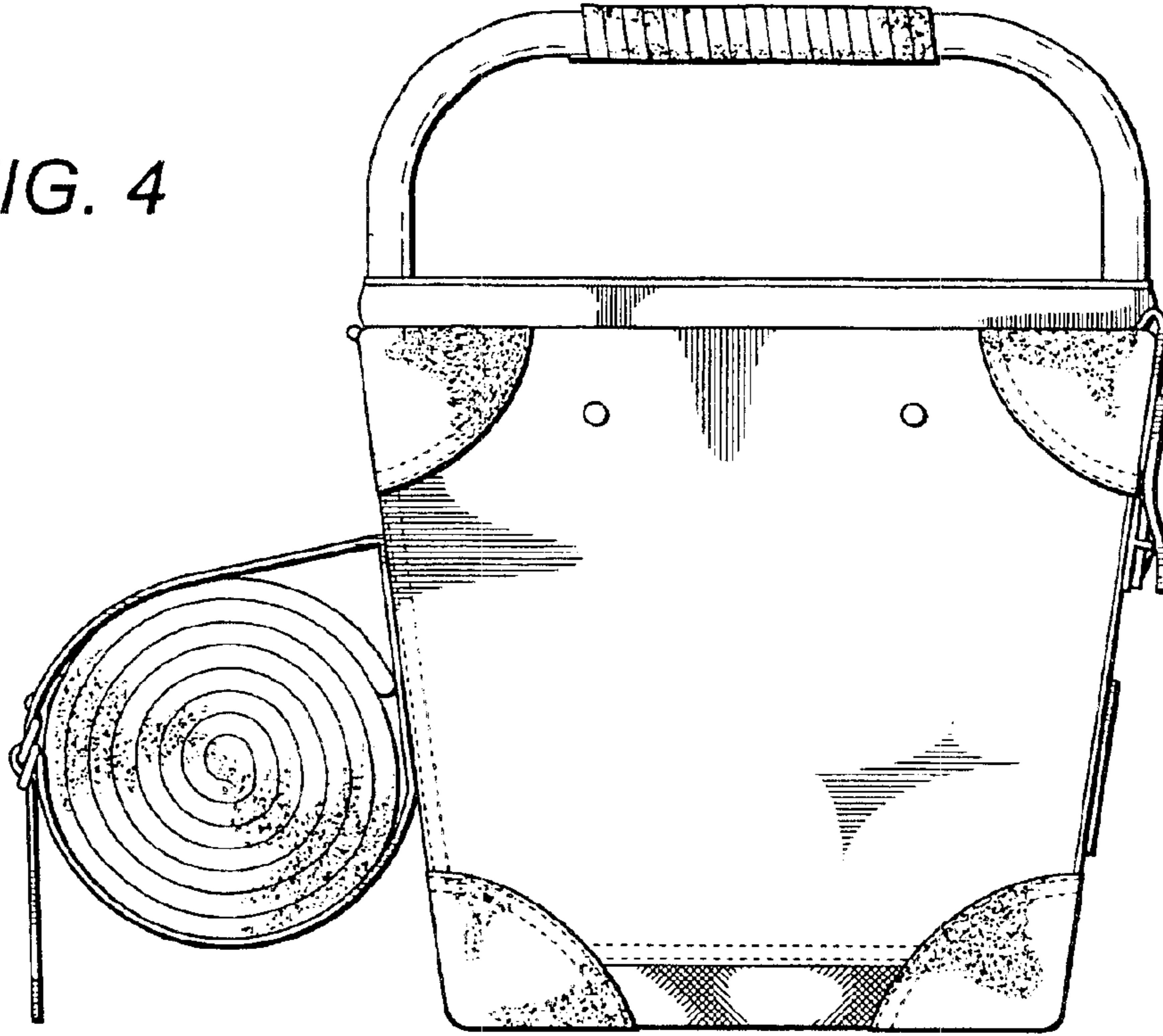
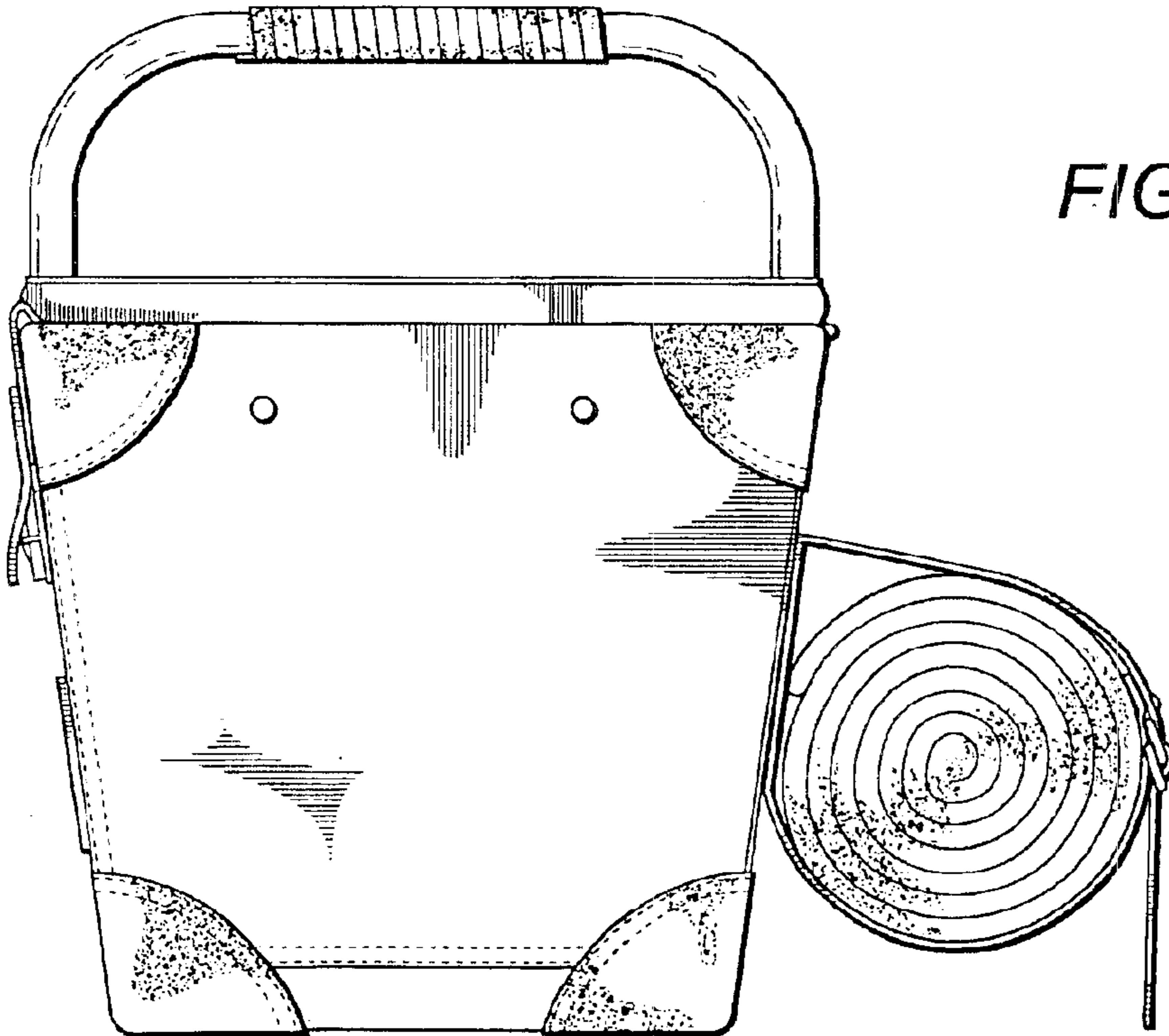


FIG. 5



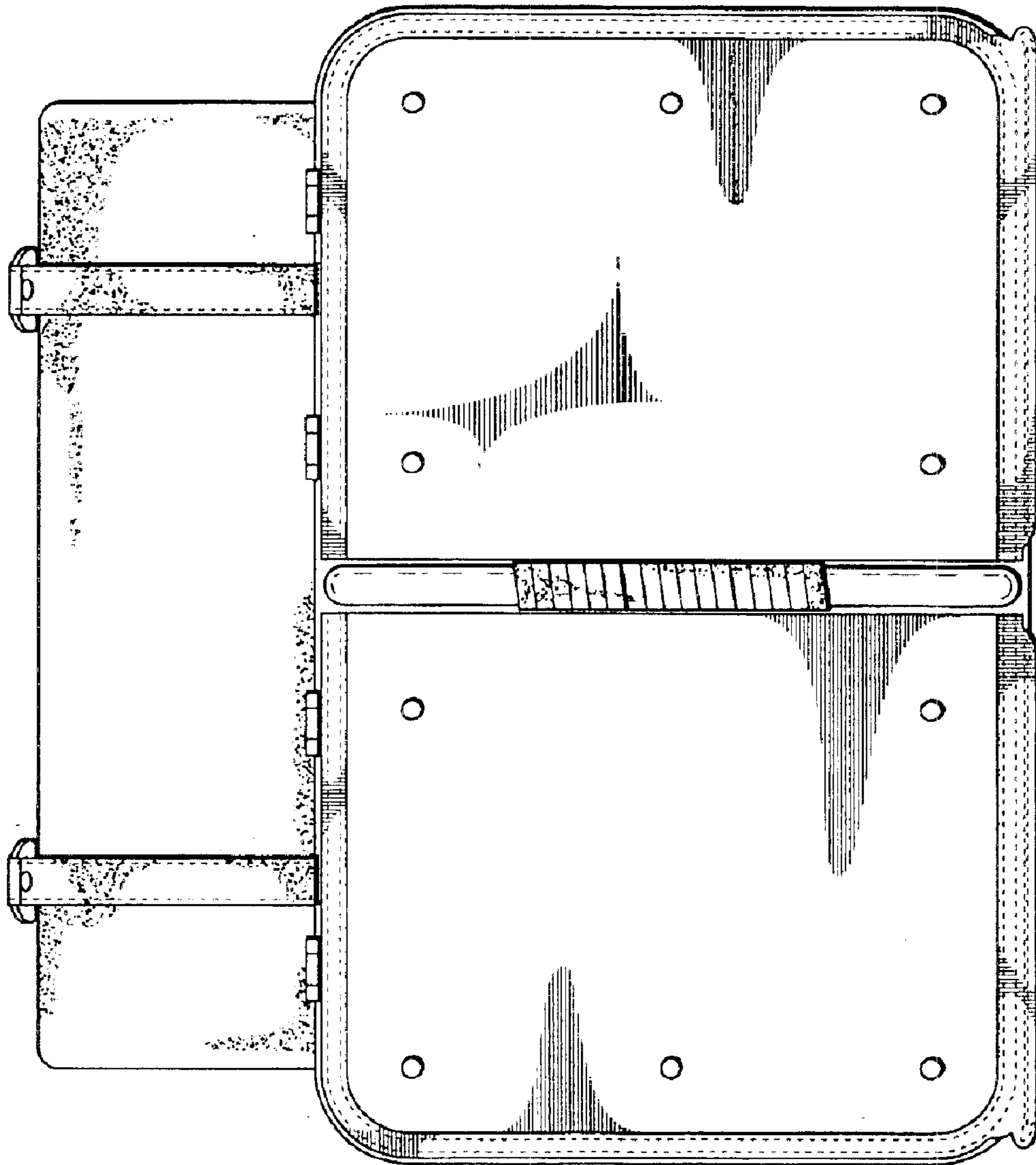


FIG. 6

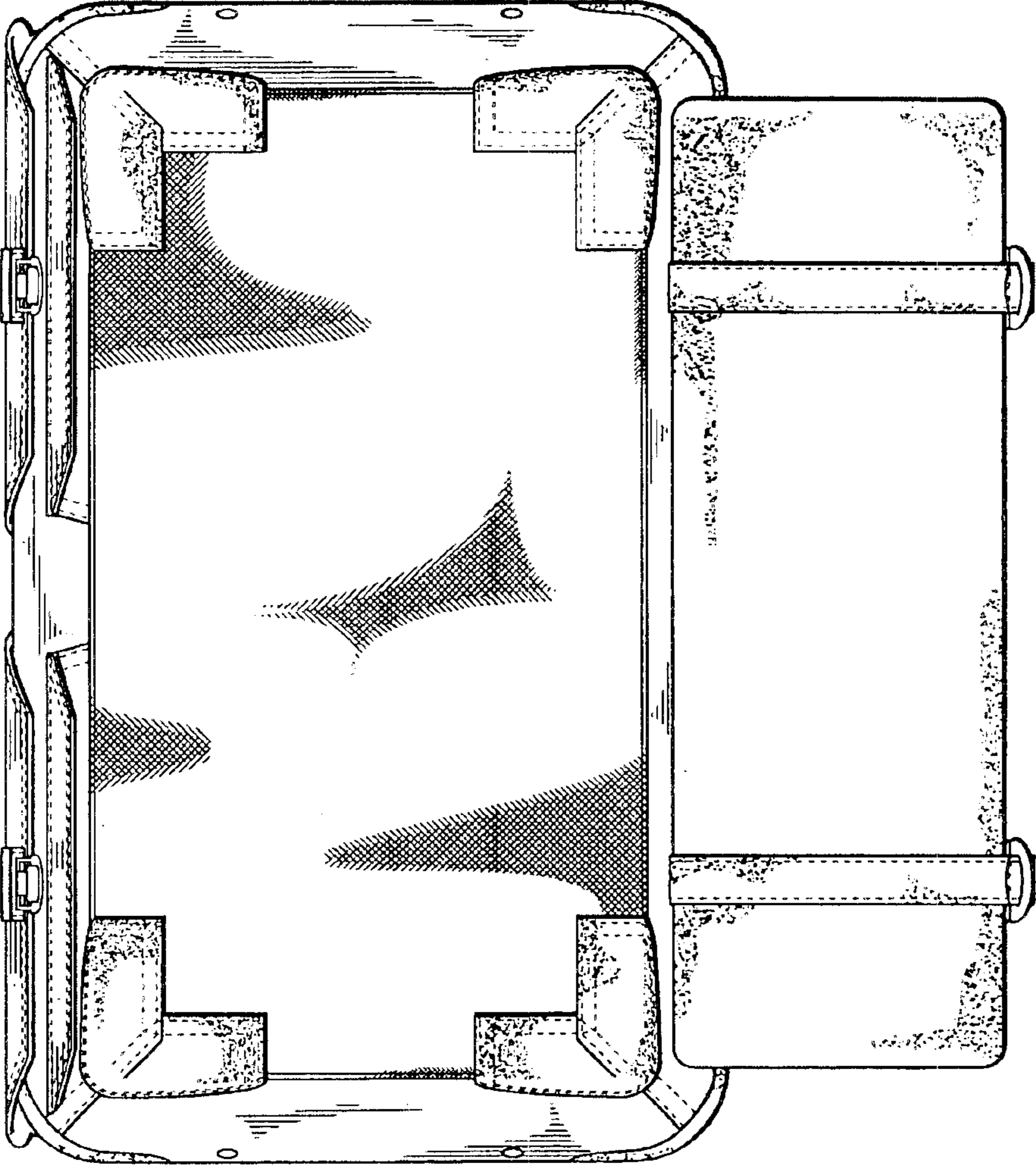


FIG. 7

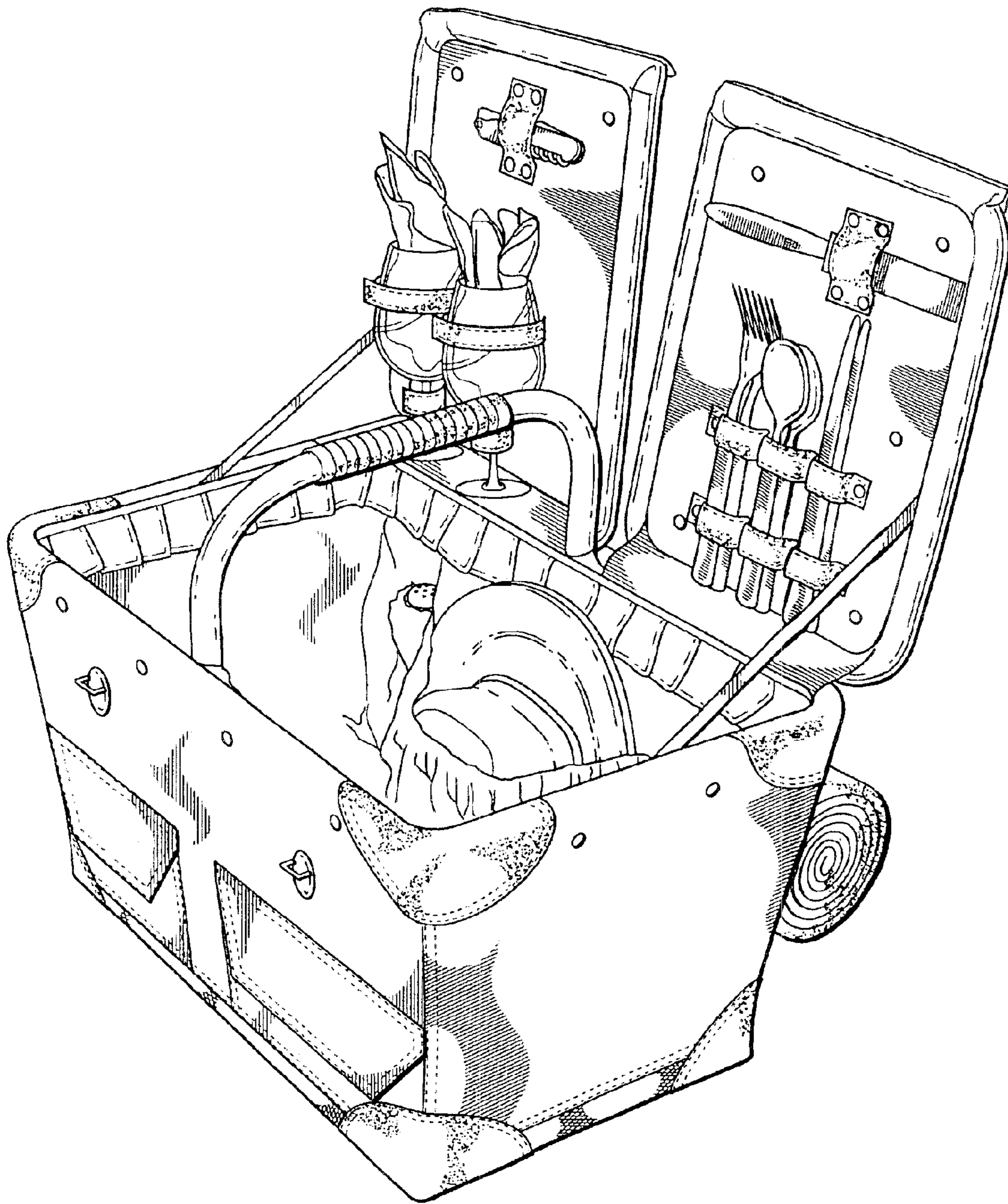


FIG. 8