

US00D504565S

(12) **United States Design Patent**  
**Heatherwick**

(10) **Patent No.:** **US D504,565 S**

(45) **Date of Patent:** **\*\* May 3, 2005**

(54) **HANDBAG**

(76) **Inventor:** **Thomas Heatherwick**, 16 Acton Street,  
London WC1X 9NG (GB)

(\*\*) **Term:** **14 Years**

(21) **Appl. No.:** **29/209,454**

(22) **Filed:** **Jul. 16, 2004**

(51) **LOC (7) Cl. .... 03-01**

(52) **U.S. Cl. .... D3/233**

(58) **Field of Search** ..... D3/232, 233, 234,  
D3/235, 236, 237, 238, 239, 240, 241,  
242, 243, 244, 245, 246, 303, 900, 901;  
150/30, 31, 100, 106, 107, 108, 110, 111,  
112, 114, 115, 117, 118, 120, 121, 122,  
900; 190/1, 103, 104, 105, 107, 108, 109,  
112, 113, 115, 117, 119, 900, 901, 902,  
903; 383/2, 4, 22, 24, 32, 98, 71, 72, 76,  
907

(56) **References Cited**

**U.S. PATENT DOCUMENTS**

D135,607 S \* 5/1943 Kalisher ..... D3/246  
2,663,343 A \* 12/1953 Hyman ..... 150/127  
3,471,058 A \* 10/1969 Latham et al. .... 190/107  
D227,945 S \* 7/1973 Hirtz ..... D3/246  
4,111,813 A \* 9/1978 Preus ..... D3/233

4,361,215 A \* 11/1982 Sawai ..... 190/103

\* cited by examiner

*Primary Examiner*—Louis S. Zarfes

*Assistant Examiner*—Monica A Weingart

(74) *Attorney, Agent, or Firm*—Gottlieb, Rackman &  
Reisman, P.C.

(57) **CLAIM**

The ornamental design for a handbag, as shown and  
described.

**DESCRIPTION**

FIG. 1 is a bottom plan view of a handbag showing my new  
design.

FIG. 2 is a front elevation view thereof, showing the  
handbag in a nonexpanded condition;

FIG. 3 is a right side elevation view thereof;

FIG. 4 is a top plan view thereof;

FIG. 5 is a rear view thereof;

FIG. 6 is a left side elevation view thereof;

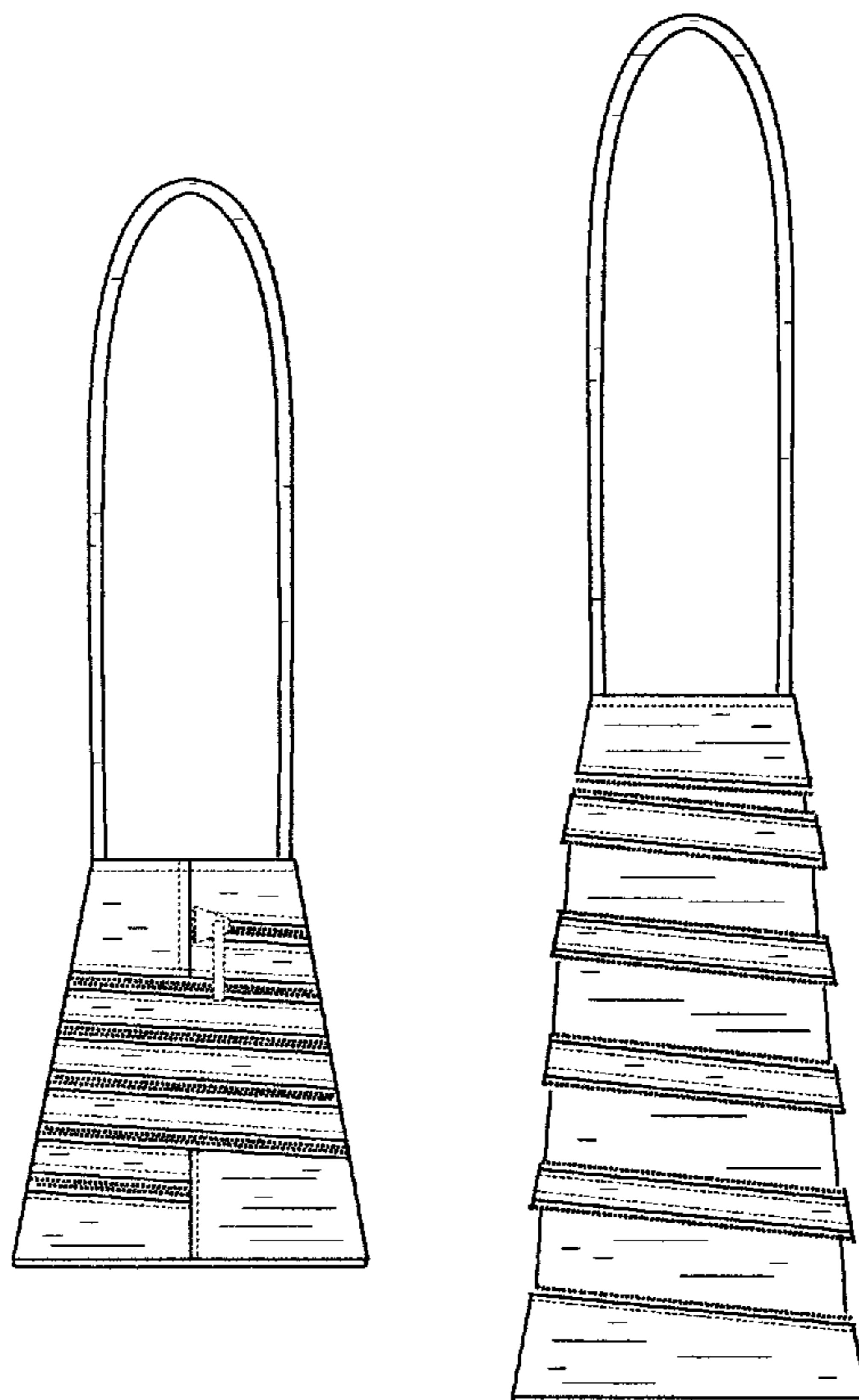
FIG. 7 is a front elevation view of the design, but showing  
the handbag in an expanded condition;

FIG. 8 is a right side elevation view thereof; and,

FIG. 9 is a rear elevation view thereof.

The broken line showing of stitching, in FIGS. 1–9, and a  
zipper pull, in FIGS. 2, 3, 6 and 8, is for illustrative purposes  
only and forms no part of the claimed design.

**1 Claim, 3 Drawing Sheets**



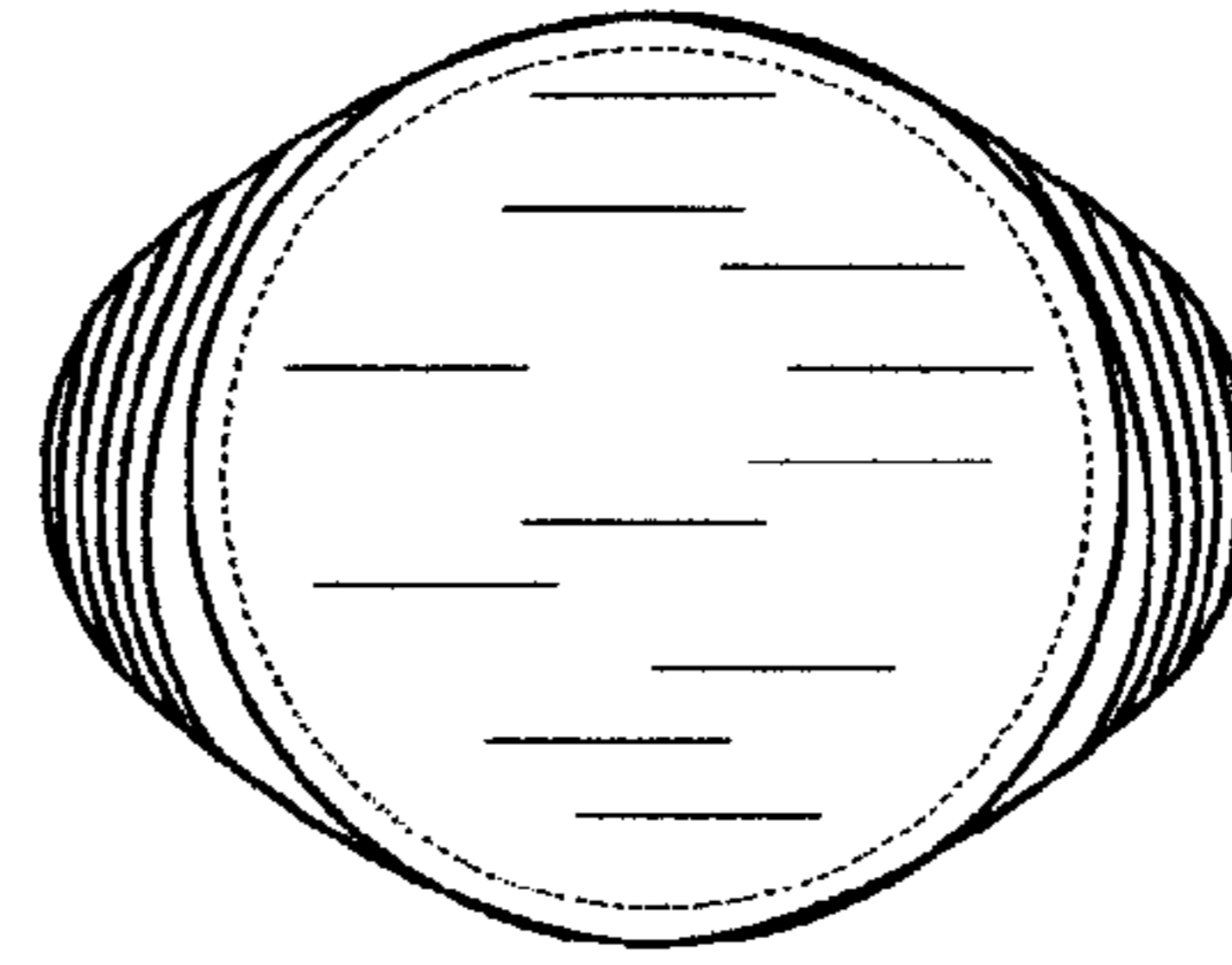


FIG. 1

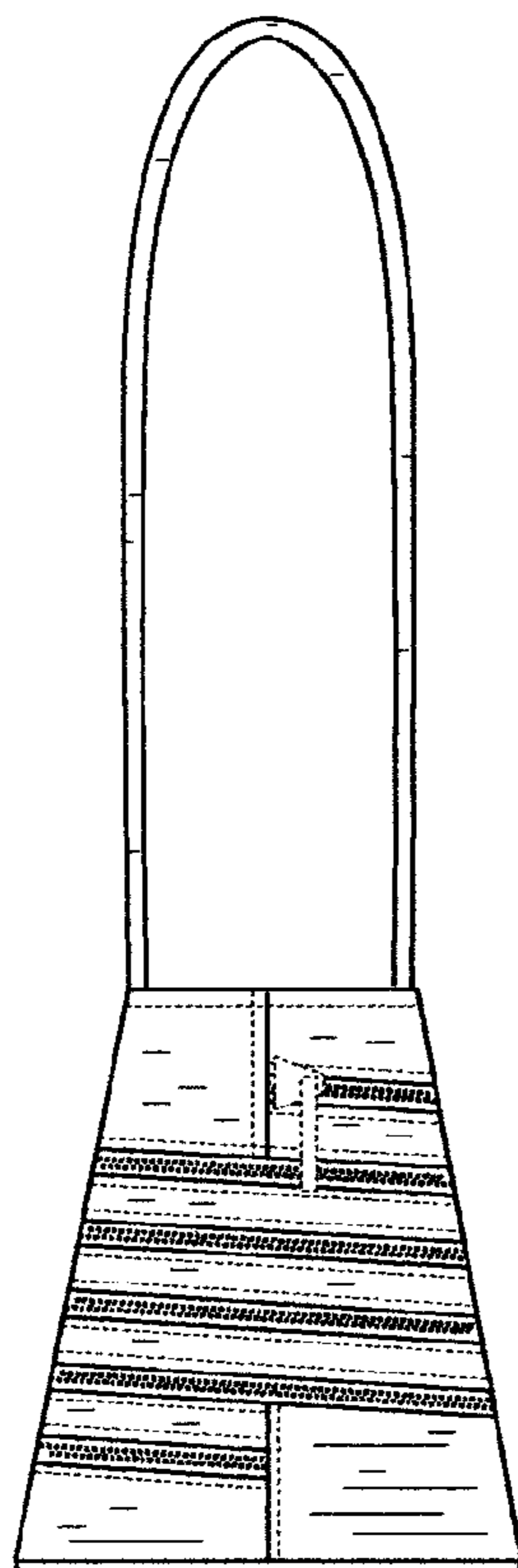


FIG. 2

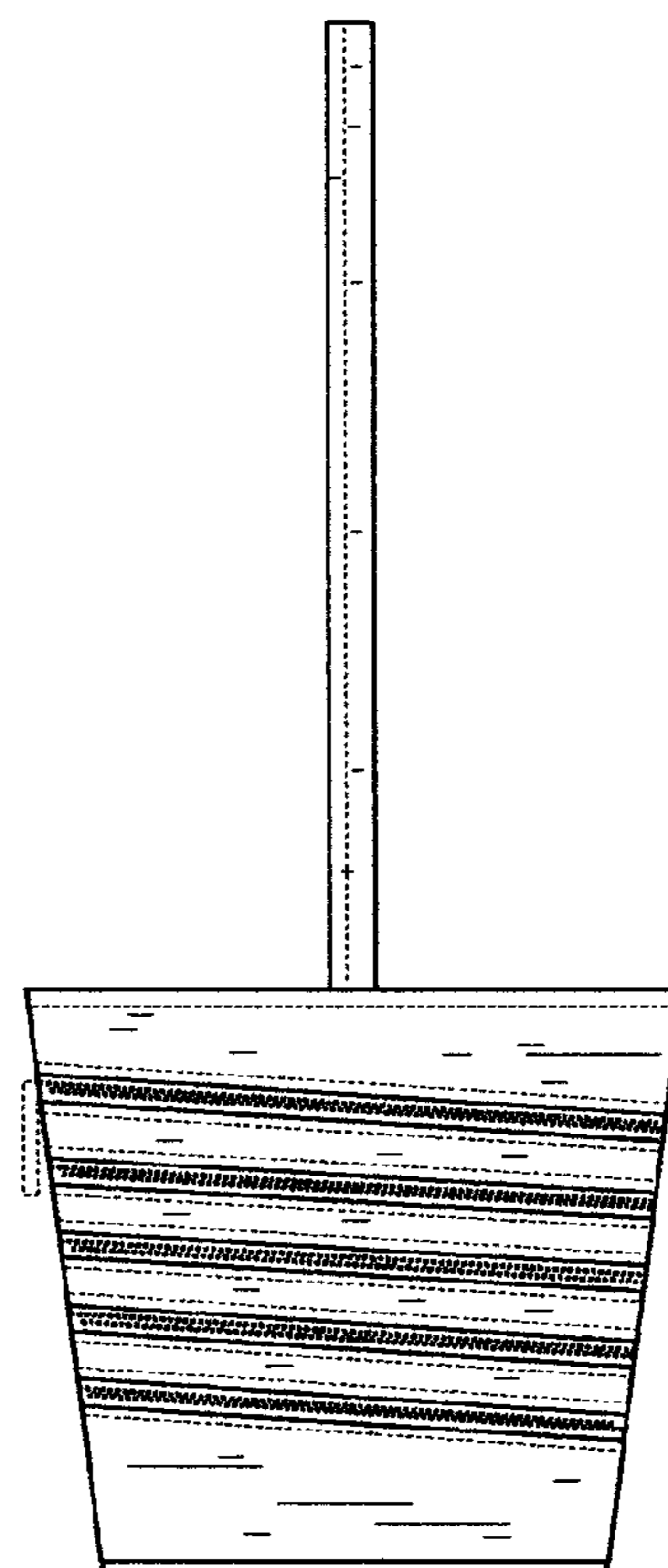


FIG. 3

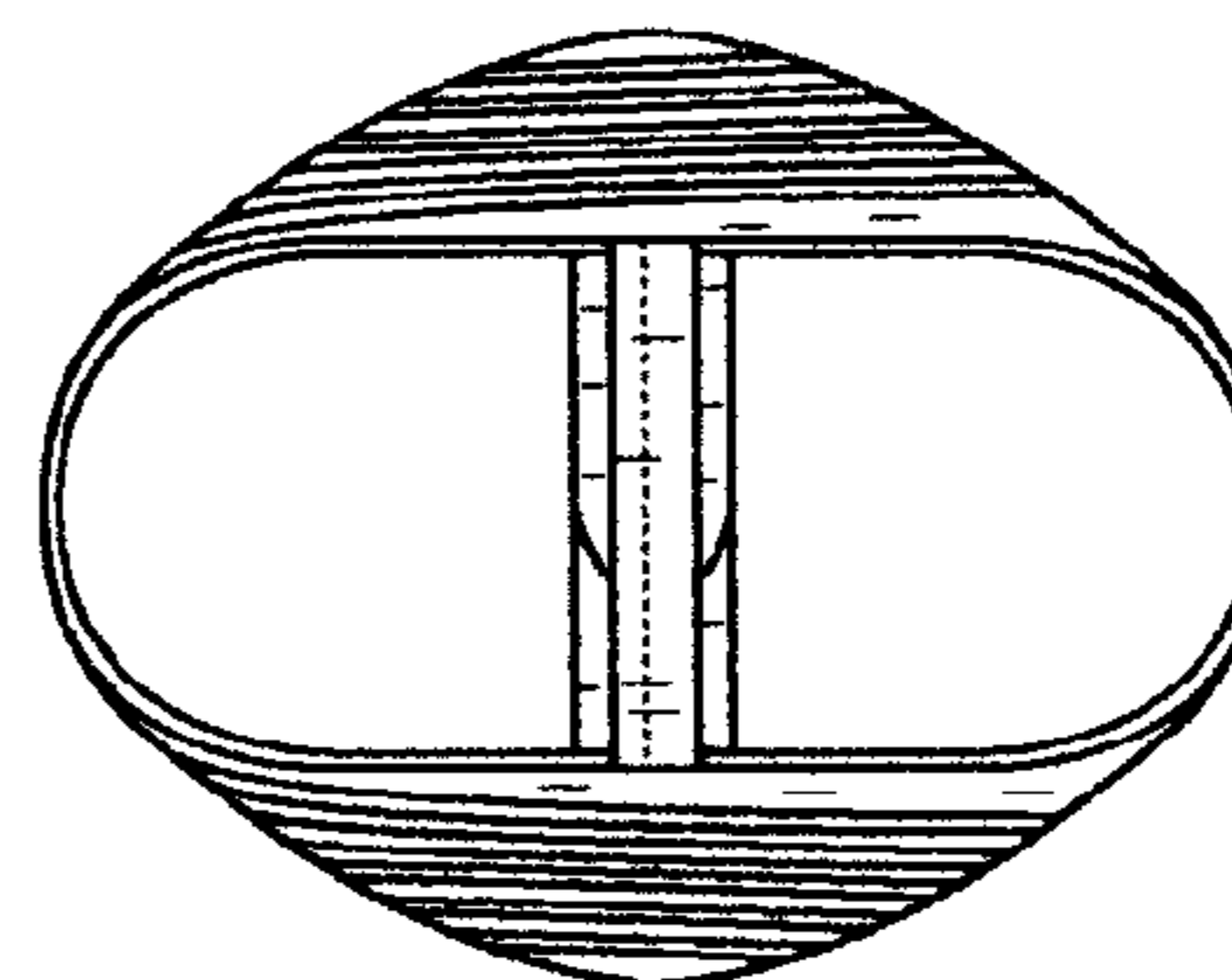


FIG. 4

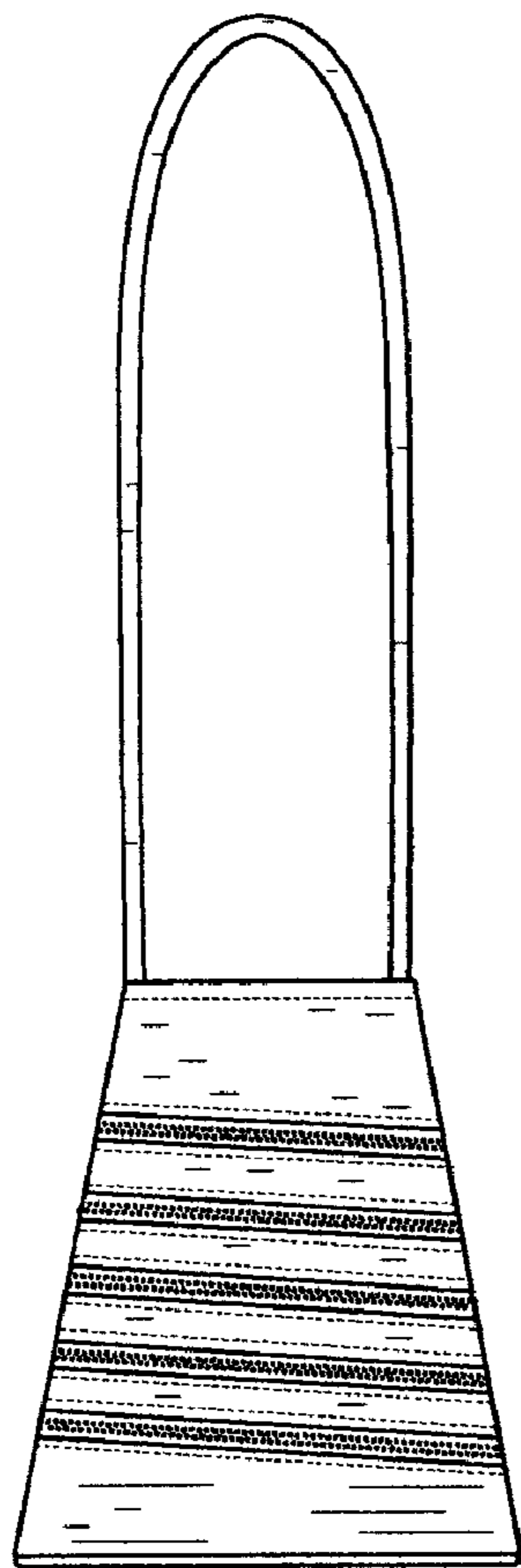


FIG. 5

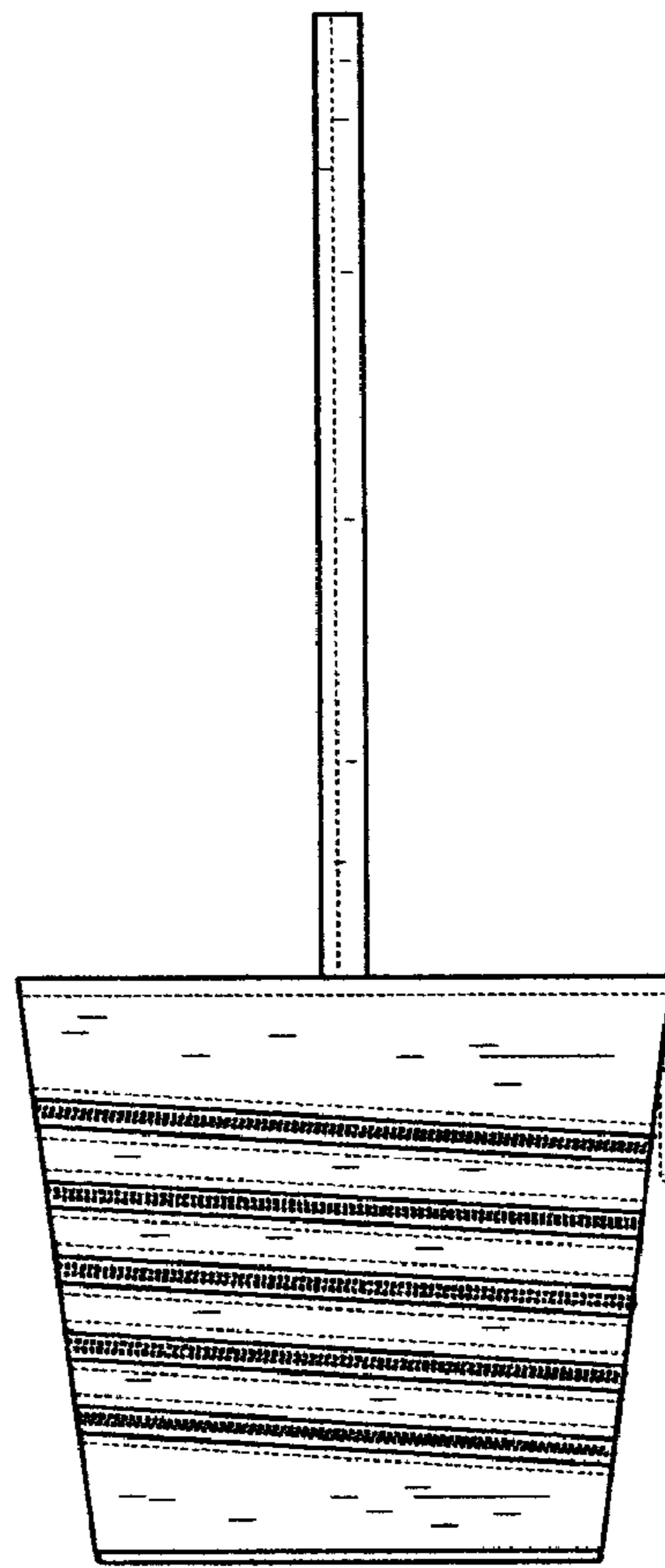


FIG. 6

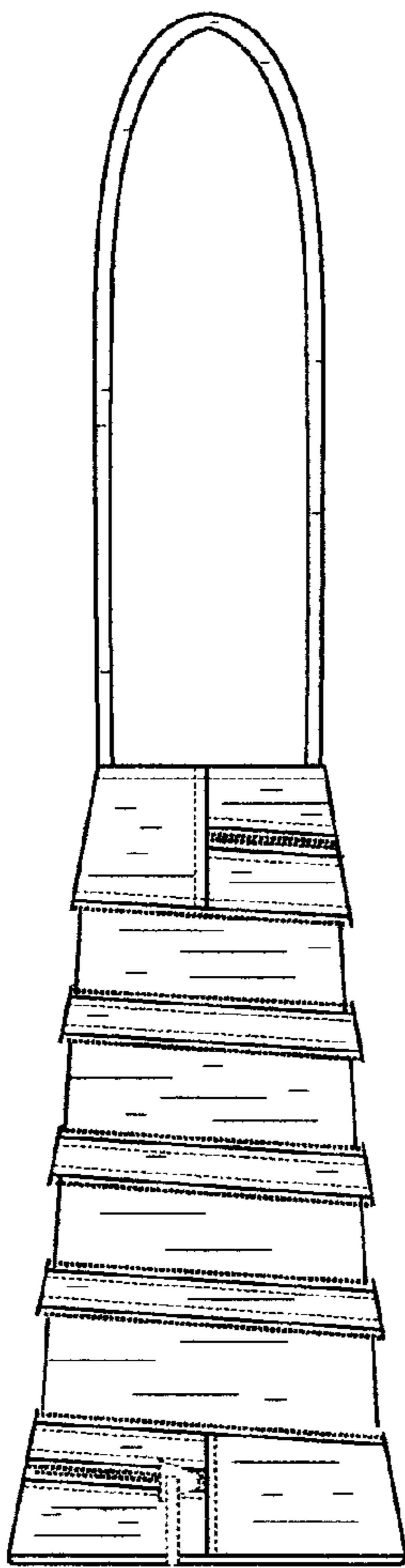


FIG. 7

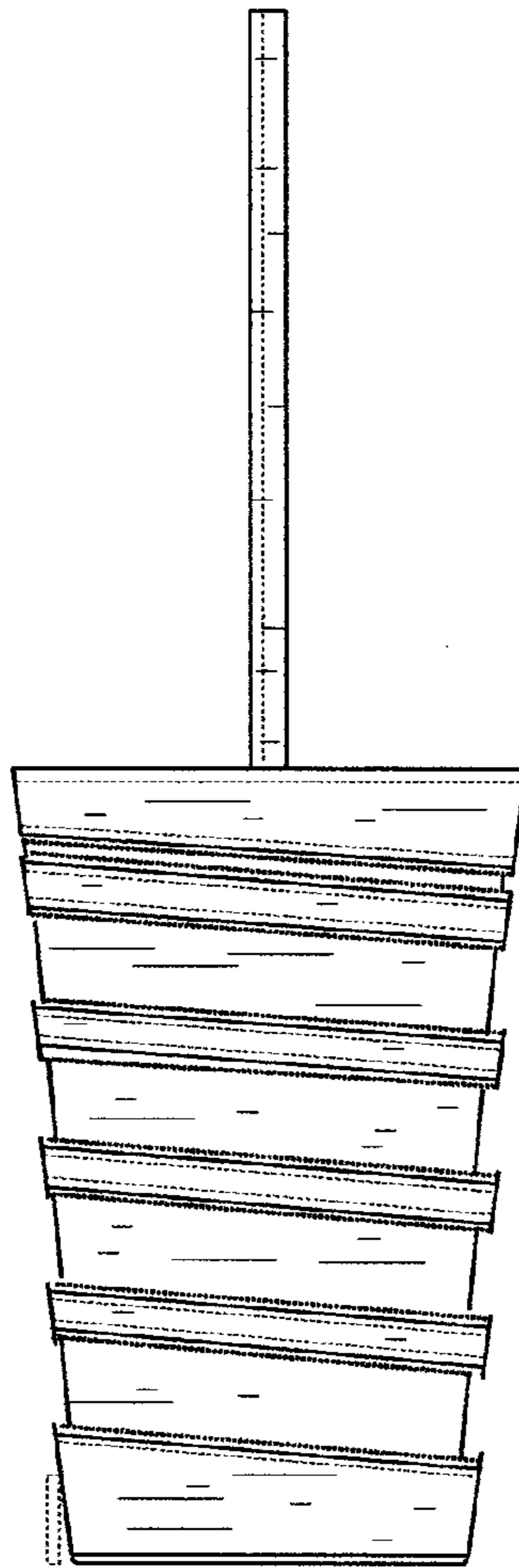


FIG. 8

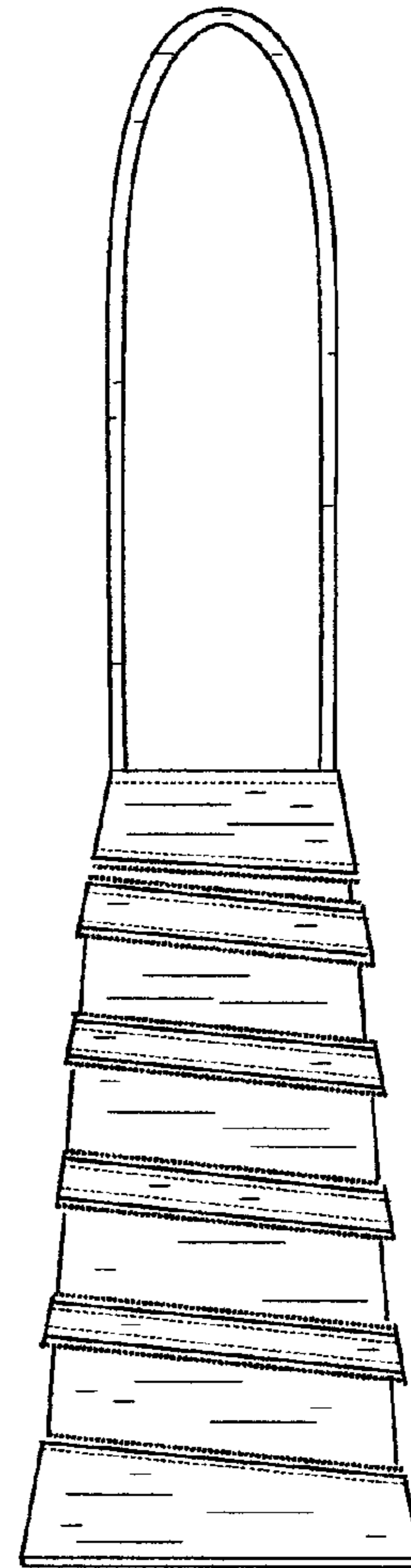


FIG. 9