

US00D504563S

(12) **United States Design Patent**
Broussard et al.

(10) **Patent No.: US D504,563 S**

(45) **Date of Patent: ** May 3, 2005**

(54) **ORGANIZER TRAY**

(76) Inventors: **Emma Broussard**, 535 E. 40th St., Houston, TX (US) 77022; **Lisa Broussard**, 535 E. 40th St., Houston, TX (US) 77022; **Lanette Broussard**, 535 E. 40th St., Houston, TX (US) 77022; **Lawrence Broussard**, 535 E. 40th St., Houston, TX (US) 77022; **Lyle Broussard**, 535 E. 40th St., Houston, TX (US) 77022; **Latosha Broussard**, 535 E. 40th St., Houston, TX (US) 77022

(**) Term: **14 Years**

(21) Appl. No.: **29/208,014**

(22) Filed: **Jun. 24, 2004**

(51) **LOC (7) Cl. 03-01**

(52) **U.S. Cl. D3/20**

(58) **Field of Search** D3/18, 20, 24-25, D3/313, 319; D6/406.6; D9/347, 737; D19/77-78; D7/553.5, 553.8; D12/416, 419, 425, 426; 206/214, 216, 561, 557-558, 563-564, 566; 220/555, DIG. 12; 294/172

(56) **References Cited**

U.S. PATENT DOCUMENTS

D146,697 S * 4/1947 Bates D7/553.8
D252,409 S 7/1979 Rose et al. D3/275
D255,310 S * 6/1980 Spencer D7/553.5

D280,290 S * 8/1985 Bakus D9/737
D301,590 S 6/1989 Foran et al. D19/77
D331,942 S 12/1992 Kirchner D19/78
D396,954 S * 8/1998 Iversen et al. D3/313

OTHER PUBLICATIONS

Kann's Notions, spring/summer 1962 catalog: sewing tray, item 17C. NPL shoes.*

* cited by examiner

Primary Examiner—Robert A. Delehanty
(74) *Attorney, Agent, or Firm*—Richard C. Litman

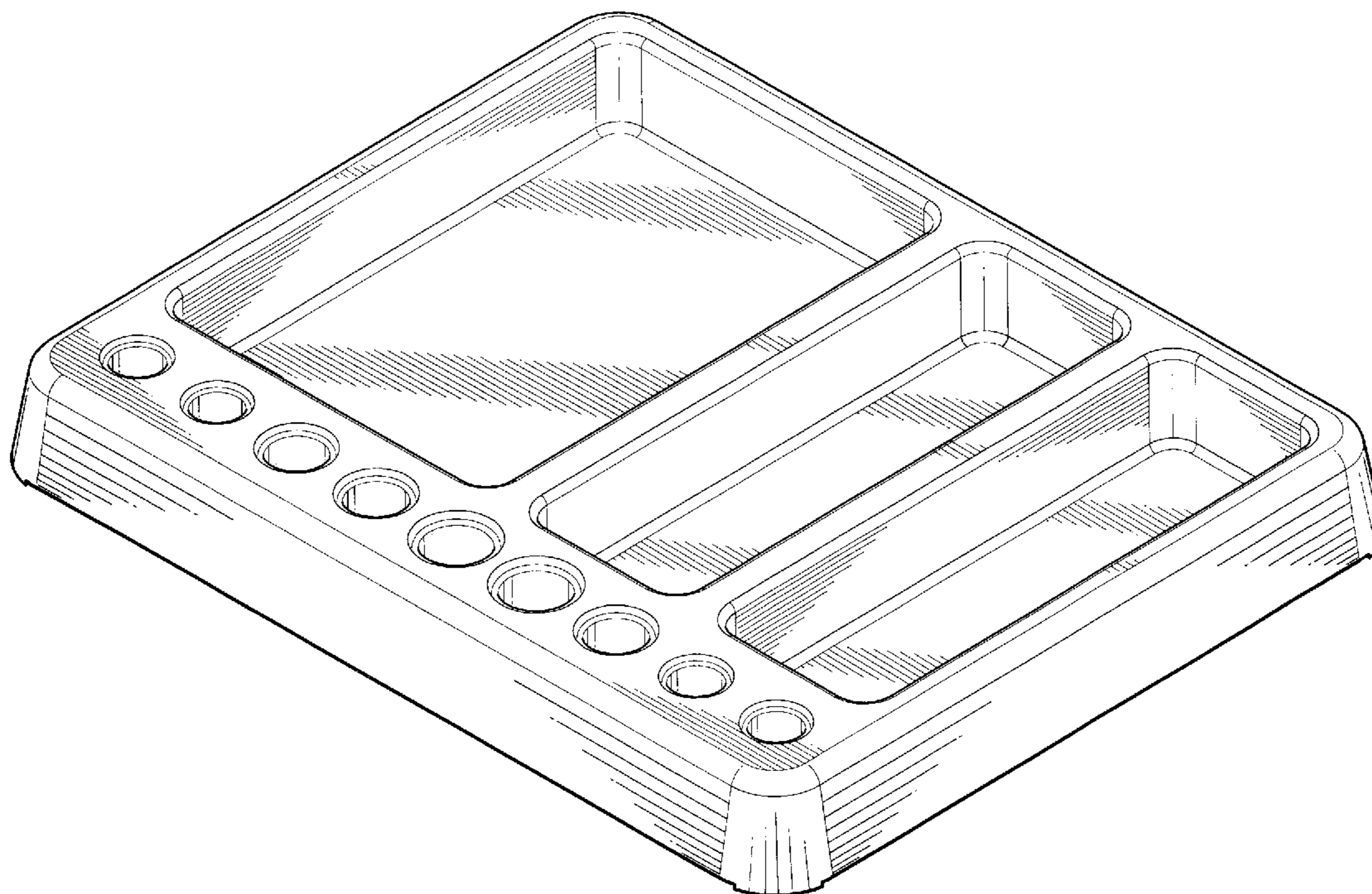
(57) **CLAIM**

The ornamental design for an organizer tray, as shown and described.

DESCRIPTION

FIG. 1 is a top plan view of an organizer tray showing our new design;
FIG. 2 is a bottom plan view thereof;
FIG. 3 is a front elevational view with the rear being a mirror image rear elevational view thereof;
FIG. 4 is a right side elevational view with the left side being a mirror image thereof;
FIG. 5 is a perspective view thereof; and,
FIG. 6 is an environmental perspective view thereof.
The broken line showing of the implements in FIG. 6 is for illustrative purposes only and forms no part of the claimed design.

1 Claim, 5 Drawing Sheets



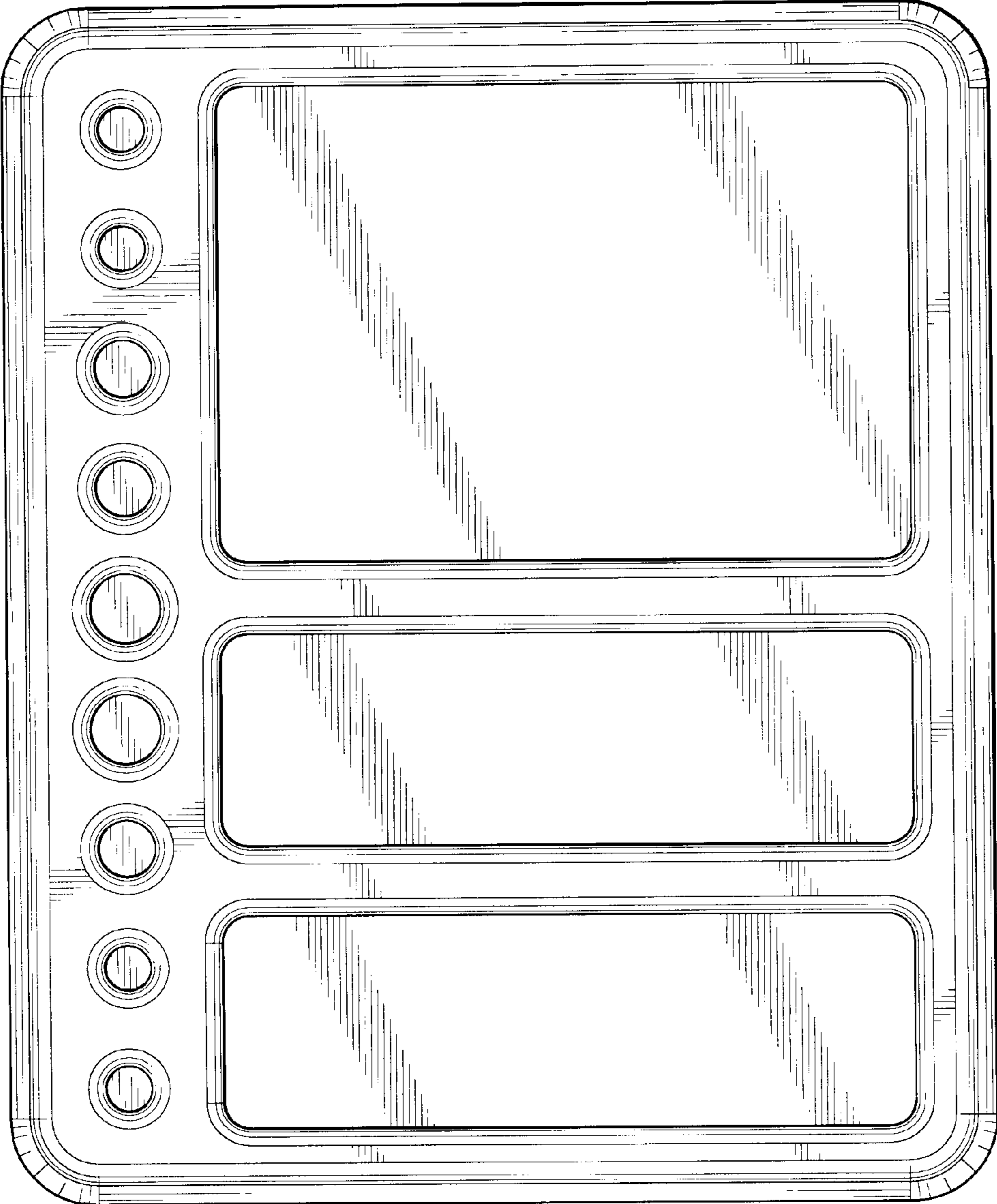


Fig. 1

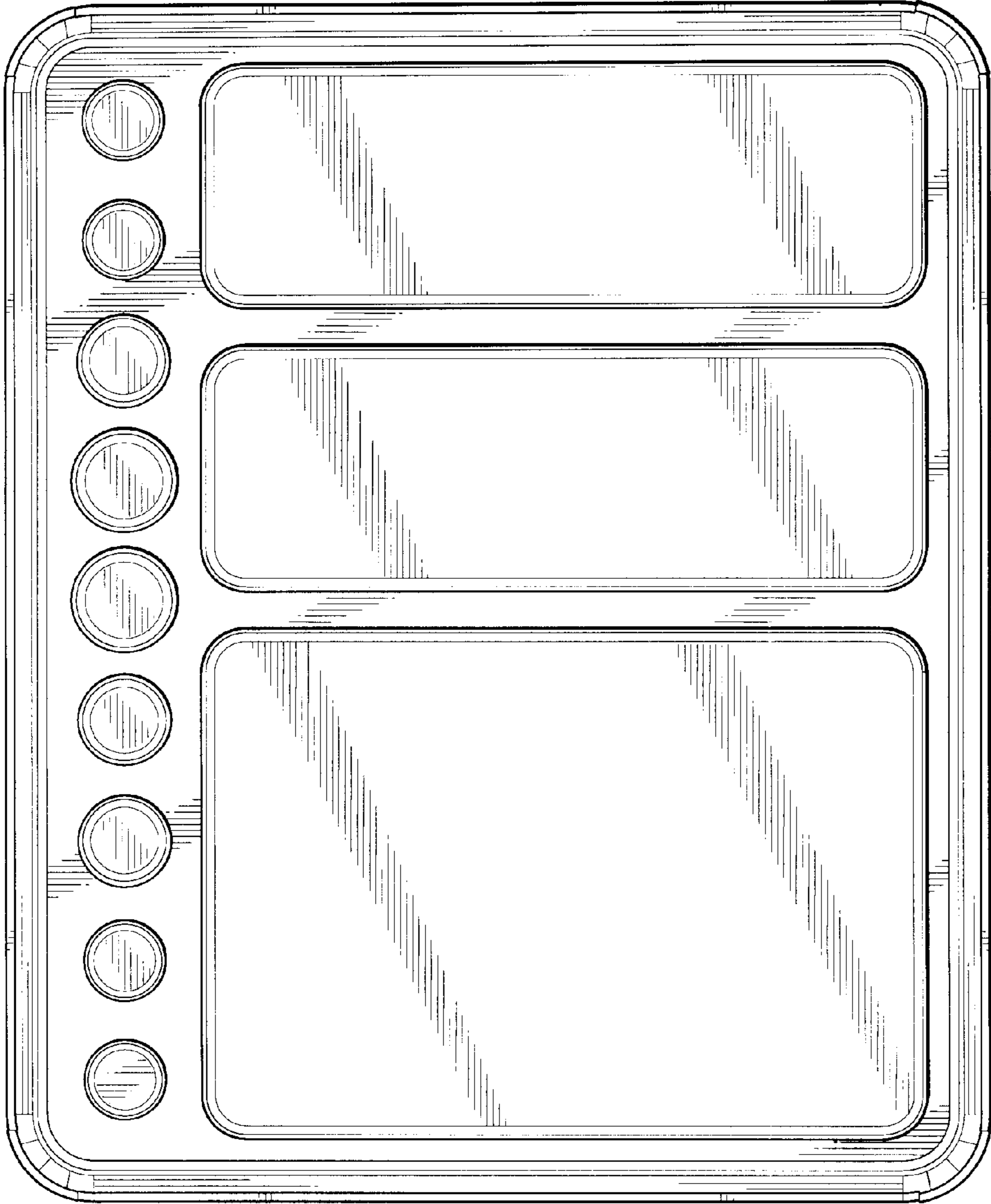


Fig. 2

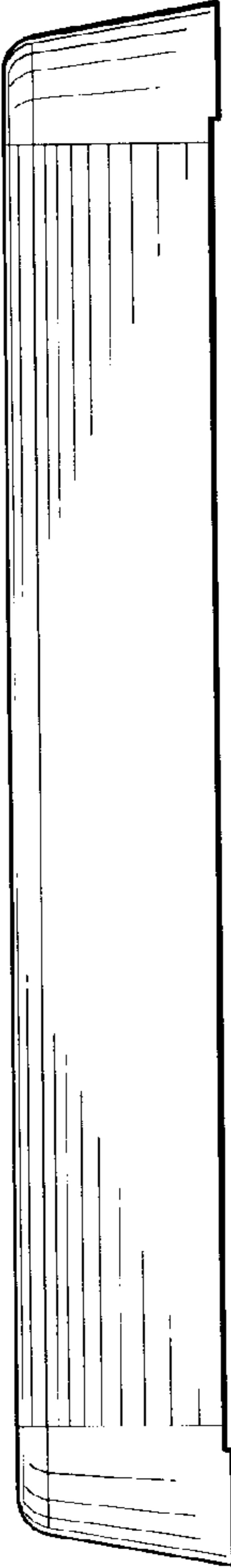


Fig. 3

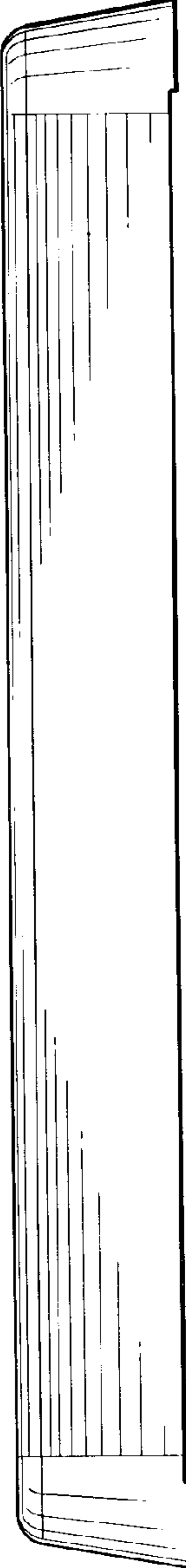


Fig. 4

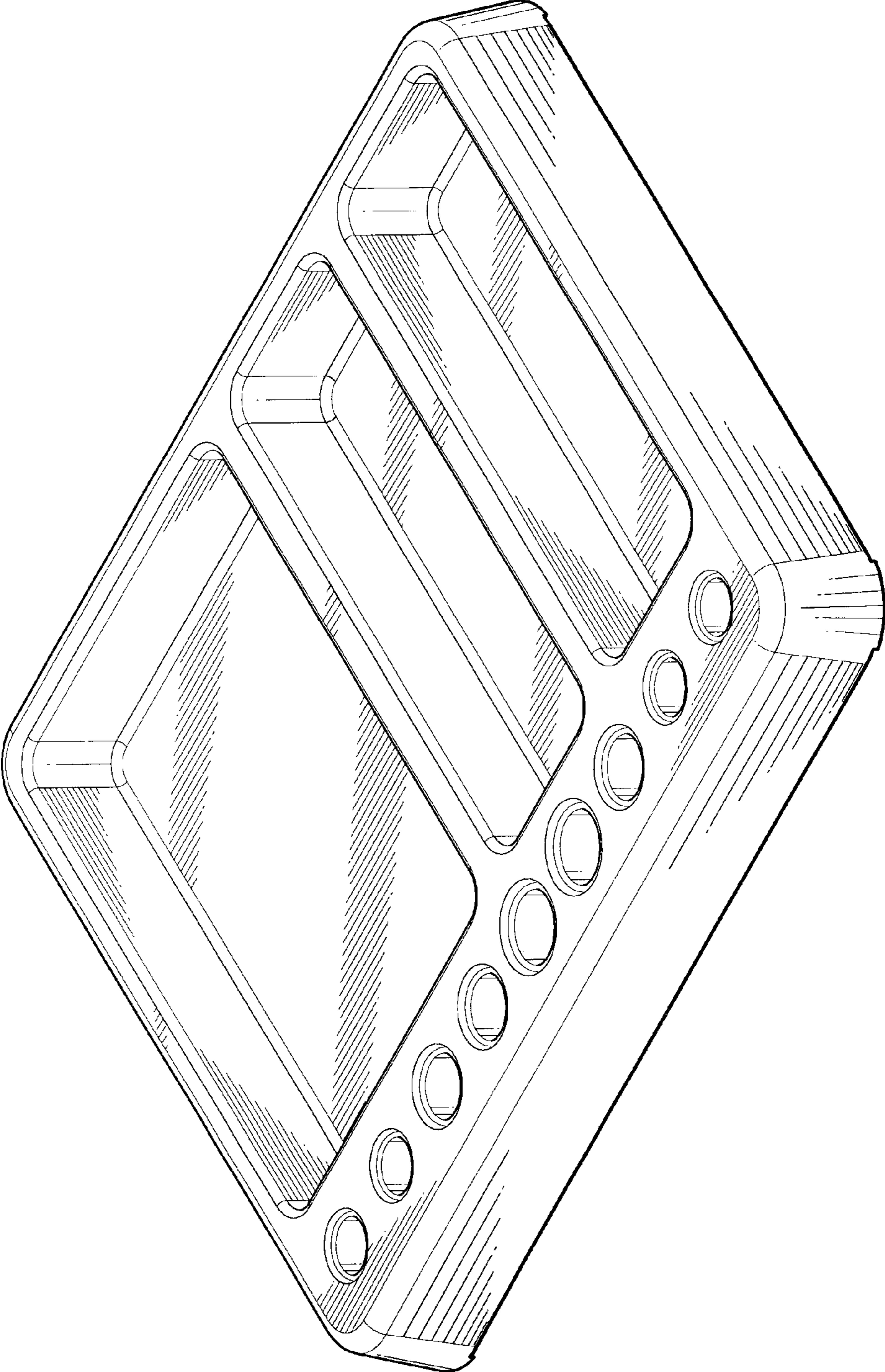


Fig. 5

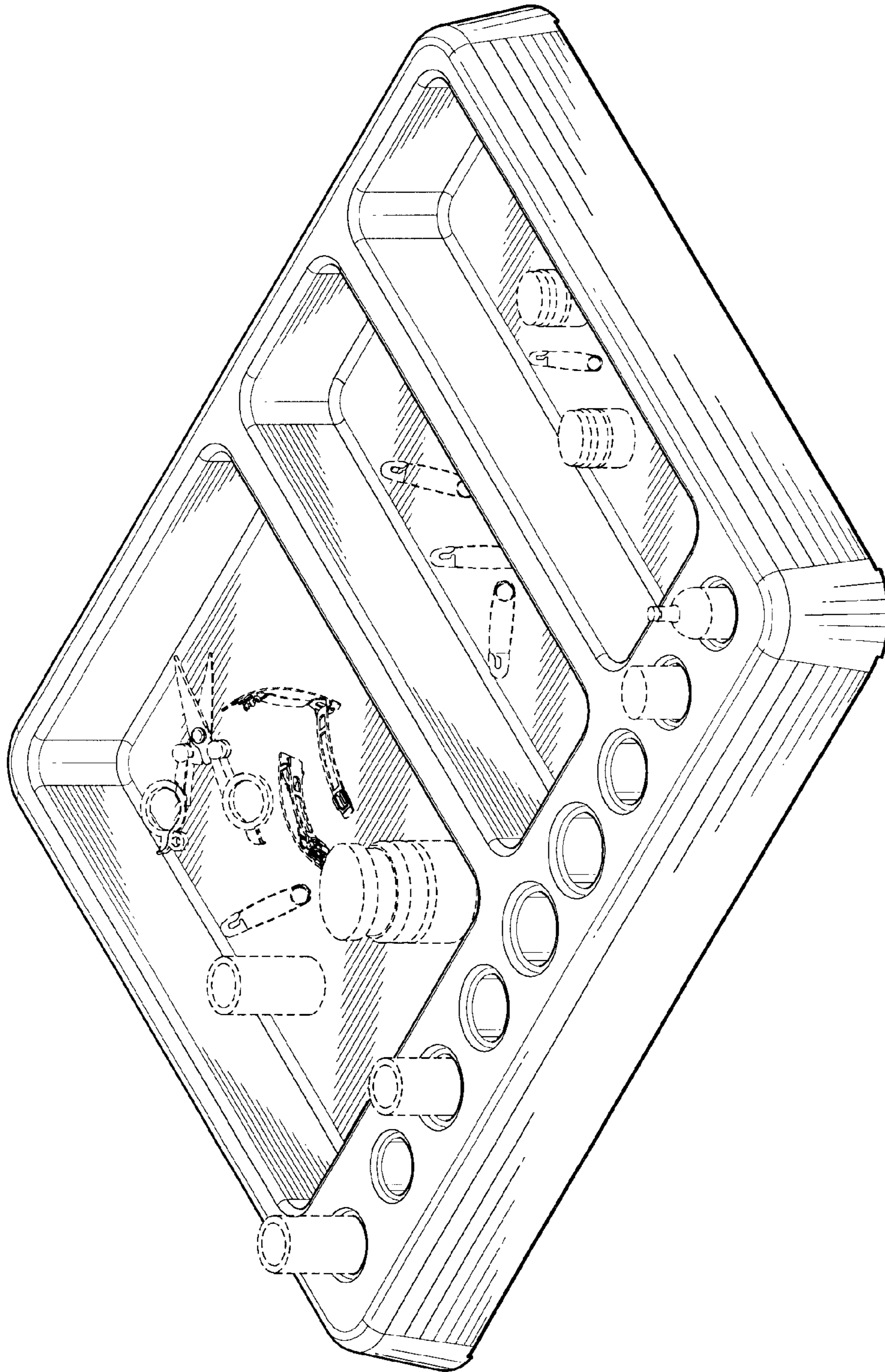


Fig. 6