

US00D504550S

(12) **United States Design Patent**  
**Setcer, Jr.**

(10) **Patent No.:** **US D504,550 S**

(45) **Date of Patent:** **\*\* Apr. 26, 2005**

(54) **COIN TUBE ORGANIZER**

5,725,109 A \* 3/1998 Moulton et al. .... 211/73  
6,032,790 A \* 3/2000 Soutchkov et al. .... 206/0.83

(76) **Inventor:** **Neal D. Setcer, Jr.**, Rrl Box 1109,  
Kunkletown, PA (US) 18058

**OTHER PUBLICATIONS**

(\*\*) **Term:** **14 Years**

*Sargent-Welch* Internet Catalog, [www.sargentwelch.com/product.asp?pn=WLS79025%5FEA](http://www.sargentwelch.com/product.asp?pn=WLS79025%5FEA), 2 pages, May 27, 2004.

(21) **Appl. No.:** **29/206,947**

*Jule-Art Inc.* Internet Catalog, [www.jule-art.com/products.cfm?Category=1016&cfid=1361263&cftoken=94857183](http://www.jule-art.com/products.cfm?Category=1016&cfid=1361263&cftoken=94857183), 2 pages, May 6, 2004.

(22) **Filed:** **Jun. 8, 2004**

(51) **LOC (7) Cl.** ..... **99-00**

(52) **U.S. Cl.** ..... **D99/34**

(58) **Field of Search** ..... D99/34, 35, 36,  
D99/37, 38, 43; 206/0.8, 0.84, 0.81, 0.83,  
92.9, 158, 443, 486, 488, 515, 531, 489,  
539, 562, 565, 534.1; 294/159; D3/310-313;  
D24/230; D9/347; D7/500-505, 550.1,  
553.1-553.8; 356/244, 246; 422/58

\* cited by examiner

*Primary Examiner*—Paula A. Greene

(74) *Attorney, Agent, or Firm*—Richard C. Litman

(57) **CLAIM**

The ornamental design for a coin tube organizer, as shown and described.

(56) **References Cited**

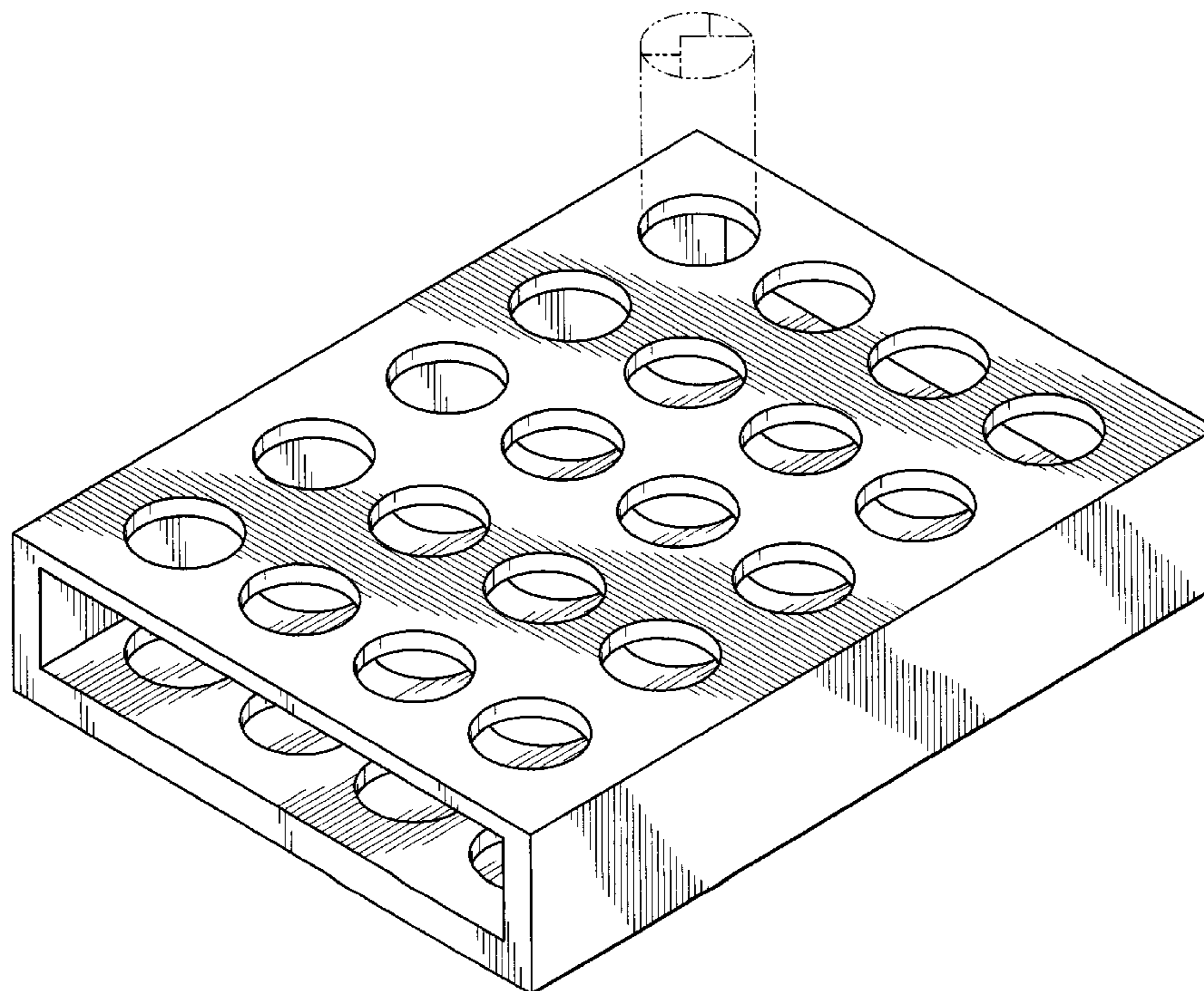
**DESCRIPTION**

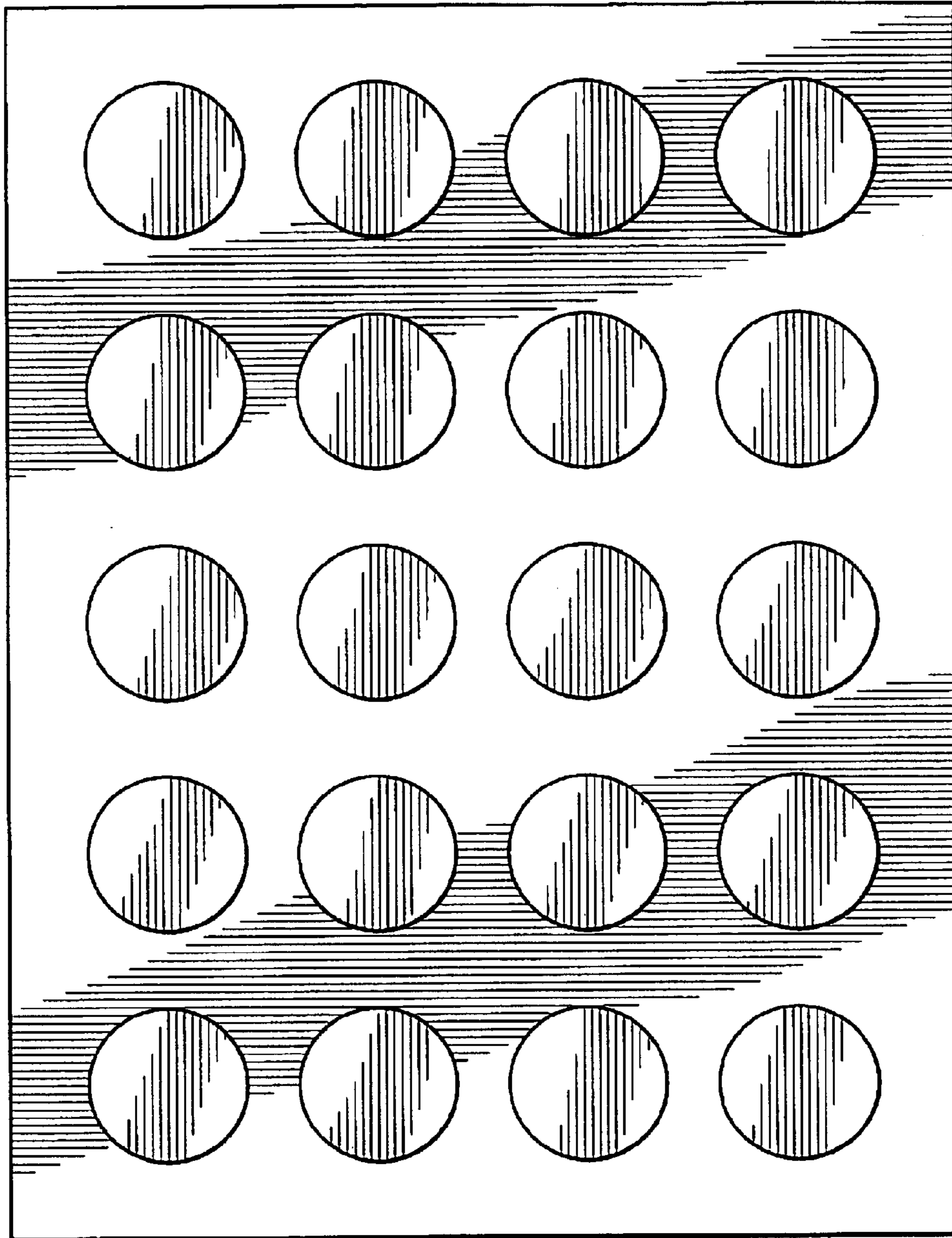
**U.S. PATENT DOCUMENTS**

930,890 A	*	8/1909	Schlappich et al.	.....	294/159
2,139,150 A	*	12/1938	Curtis et al.	.....	206/0.84
3,038,600 A	*	6/1962	Powell	.....	206/158
D206,324 S	*	11/1966	Broadwin	.....	D24/230
3,390,783 A	*	7/1968	Quackenbush, Jr.	.....	211/73
D217,851 S	*	6/1970	Yankovich	.....	D3/313
3,682,597 A	*	8/1972	Husch	.....	422/58
3,921,804 A	*	11/1975	Tester	.....	206/531
D240,239 S	*	6/1976	Caldrino	.....	D24/230
D243,494 S		3/1977	Wang		
4,153,197 A		5/1979	Hall		
4,339,071 A		7/1982	Hall		

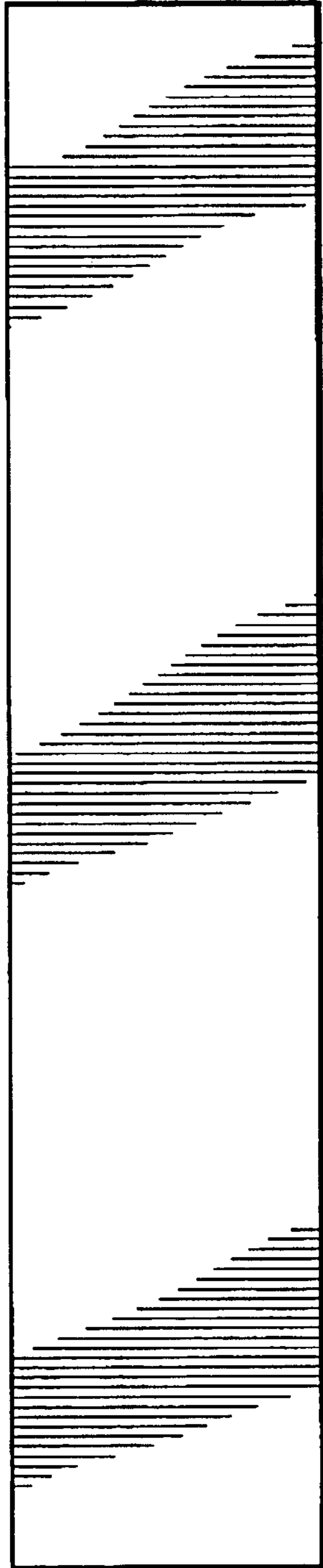
FIG. 1 is a top plan view of a coin tube organizer showing my new design;  
FIG. 2 is a right side elevational view with the left side being a mirror image thereof;  
FIG. 3 is a front elevational view with the rear being a mirror image thereof; and,  
FIG. 4 is an environmental perspective.  
The broken line showing of the coin tube in FIG. 4 is for illustrative purposes only and forms no part of the claimed design.

**1 Claim, 4 Drawing Sheets**

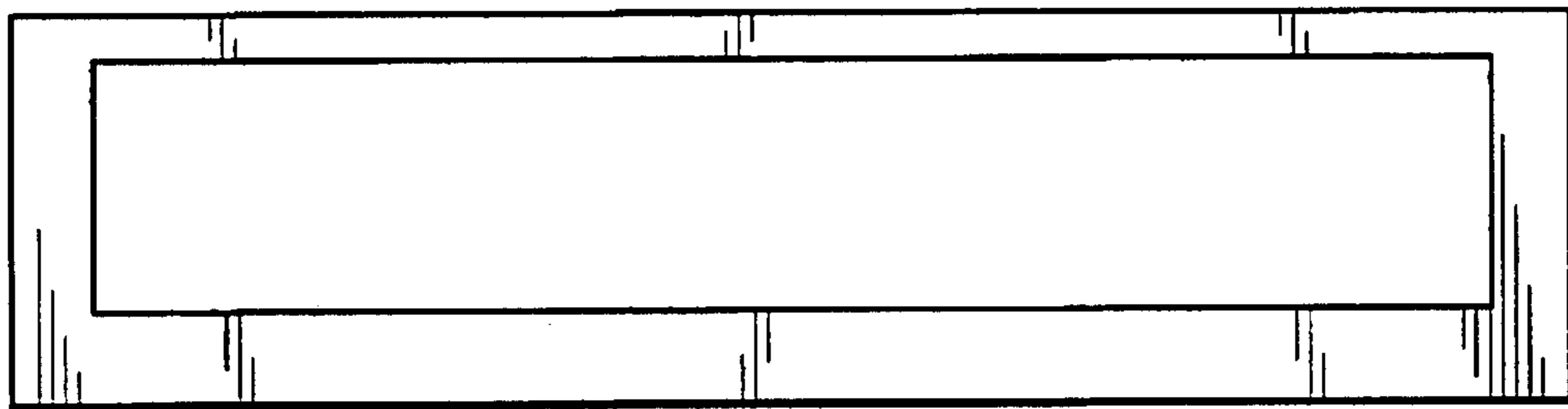




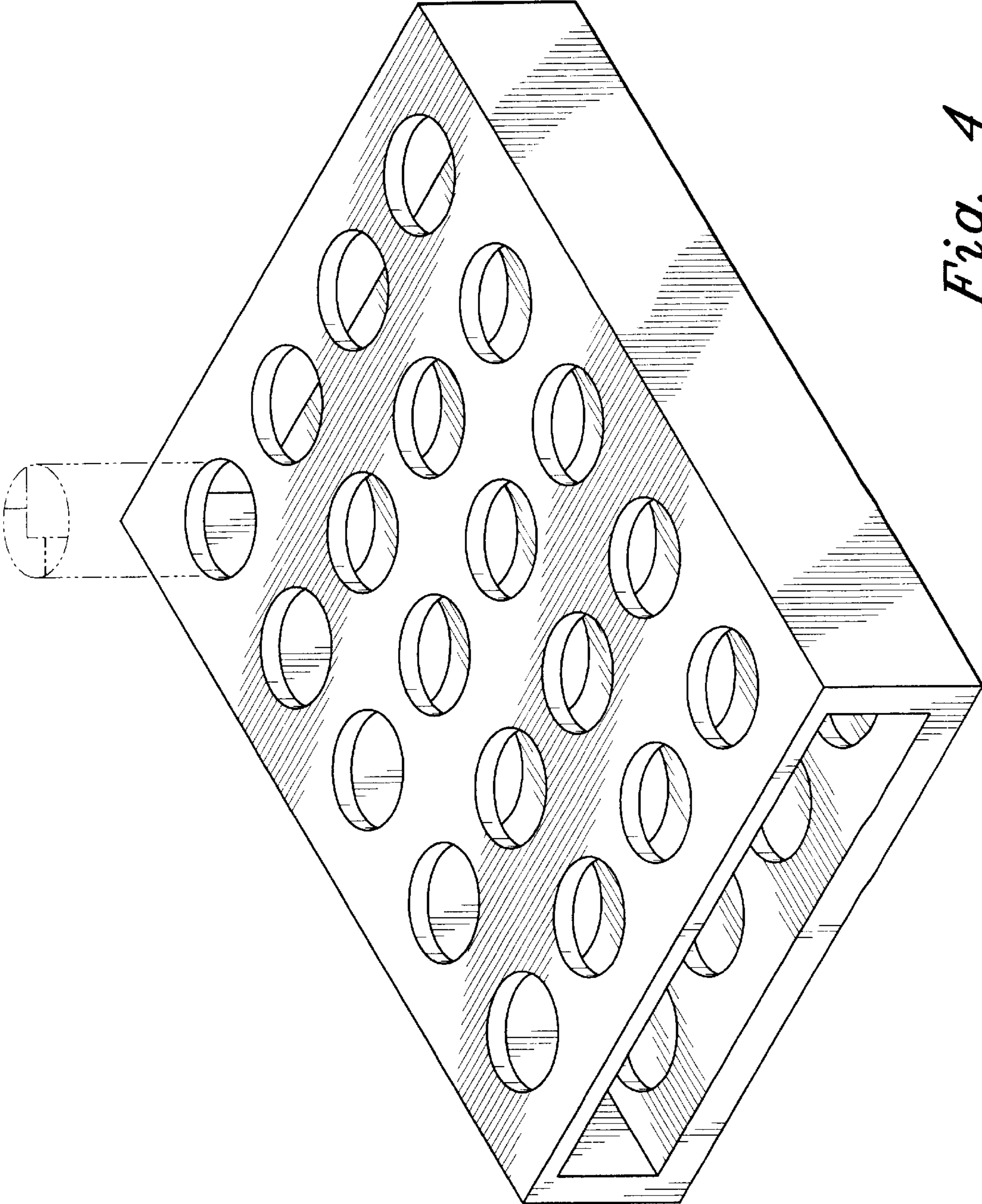
*Fig. 1*



*Fig. 2*



*Fig. 3*



*Fig. 4*