

US00D504546S

(12) **United States Design Patent** (10) **Patent No.:** **US D504,546 S**
Vrielink et al. (45) **Date of Patent:** **** Apr. 26, 2005**

(54) **CANINE RELIEF STATION HAVING WATERING OUTLET WITH INTERNAL WATER RESERVOIR**

D264,261 S 5/1982 Durocher
 4,398,556 A 8/1983 Pereira et al.
 D307,402 S * 4/1990 Rouse et al. D11/157
 D328,620 S * 8/1992 Maple D21/483
 5,803,110 A * 9/1998 Segal 137/68.14

(76) Inventors: **Ramon A. Vrielink**, 118 S. Kainalu Dr., Kailua, HI (US) 96734; **J. Lianne Cameron**, 118 S. Kainalu Dr., Kailua, HI (US) 96734

* cited by examiner

(**) Term: **14 Years**

Primary Examiner—Alan P. Douglas
Assistant Examiner—Susan M Lee
 (74) *Attorney, Agent, or Firm*—Donald R. Schoonover

(21) Appl. No.: **29/203,893**

(57) **CLAIM**

(22) Filed: **Apr. 22, 2004**

We claim the ornamental design for a canine relief station having watering outlet with internal water reservoir, as shown and described.

(51) **LOC (7) Cl.** **30-03**

DESCRIPTION

(52) **U.S. Cl.** **D30/132; 137/272; 137/274; 137/283**

(58) **Field of Search** D30/121–22, 125, D30/127, 132, 199; 137/272, 274, 283; D11/157; D23/215, 234; D21/483

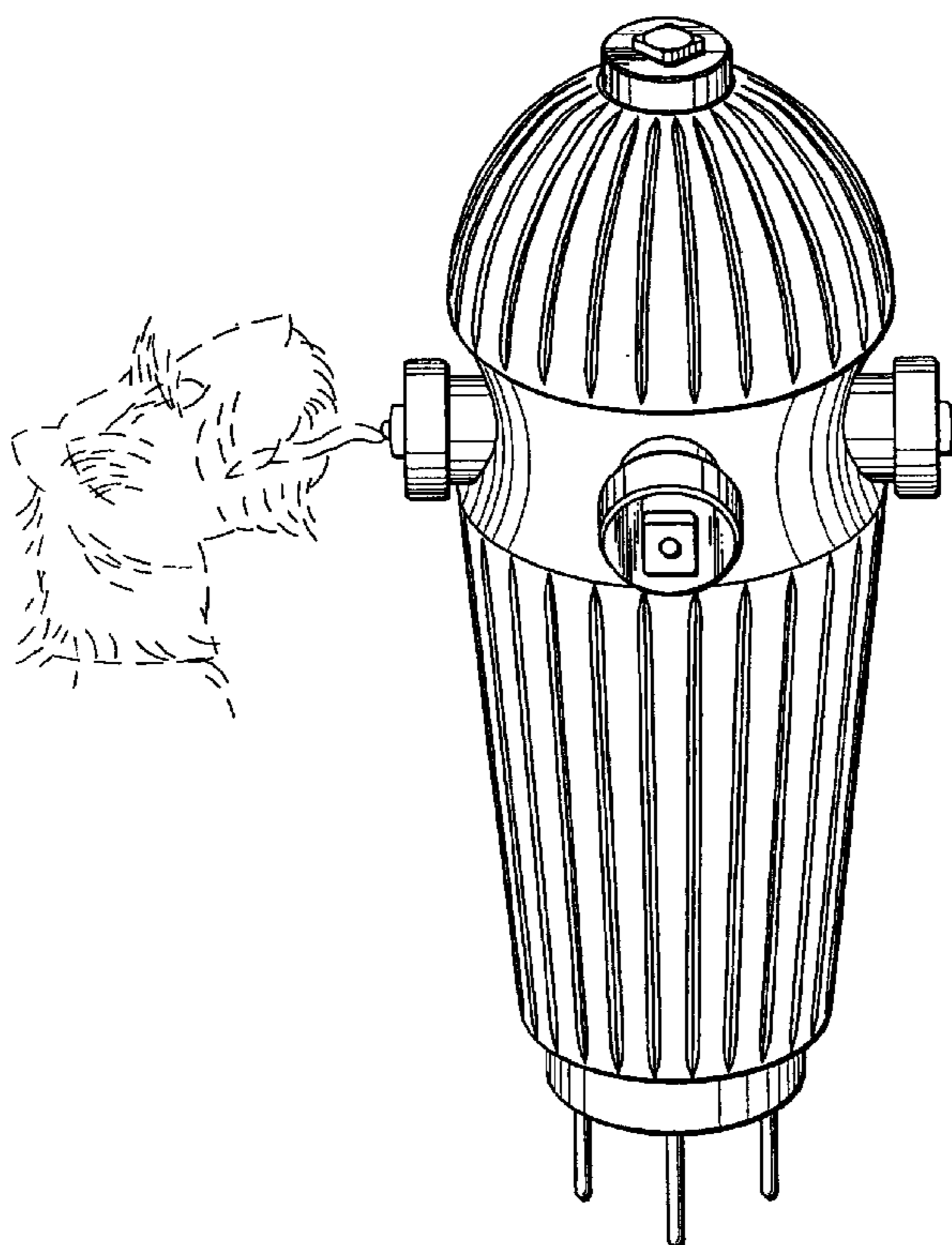
FIG. 1 is a perspective view of a canine relief station having watering outlet with internal water reservoir showing our new design;
 FIG. 2 is a side elevational view thereof, all other side elevational views being substantially identical thereto;
 FIG. 3 is a top plan view thereof;
 FIG. 4 is a bottom plan view thereof; and,
 FIG. 5 is a perspective view showing the canine relief station having watering outlet with internal water reservoir in use; the broken lines depict environmental structure for illustrative purposes only and form no part of the claimed design.

(56) **References Cited**

U.S. PATENT DOCUMENTS

2,464,580 A 3/1949 Johnson
 D188,589 S * 8/1960 Golkowski D20/30
 3,223,110 A * 12/1965 Mueller et al. 137/298
 3,752,179 A * 8/1973 Atkins et al. 137/272
 D240,062 S * 5/1976 Satten D21/483
 4,242,763 A 1/1981 Walker
 D262,555 S * 1/1982 Skubic D21/483

1 Claim, 4 Drawing Sheets



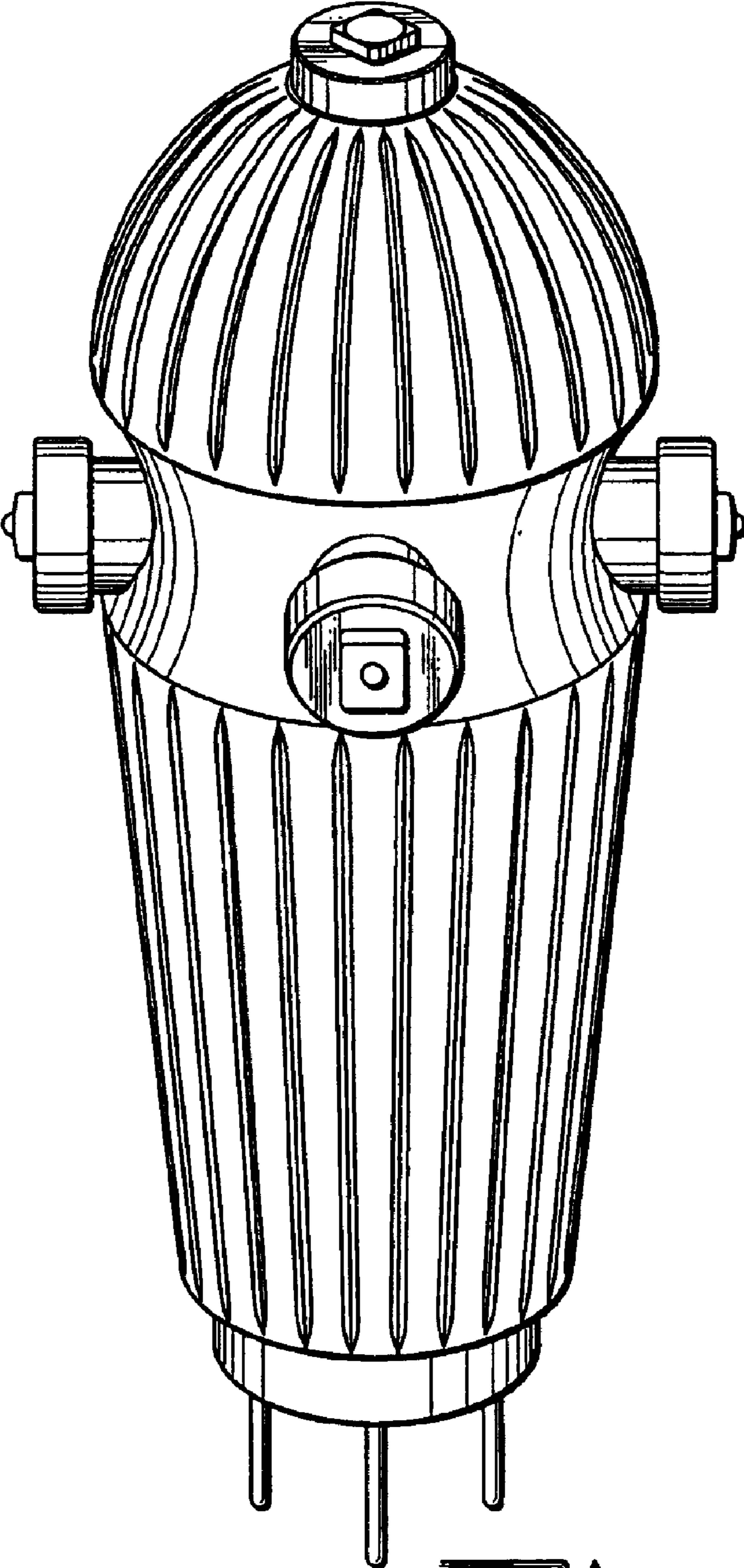


FIG. 1

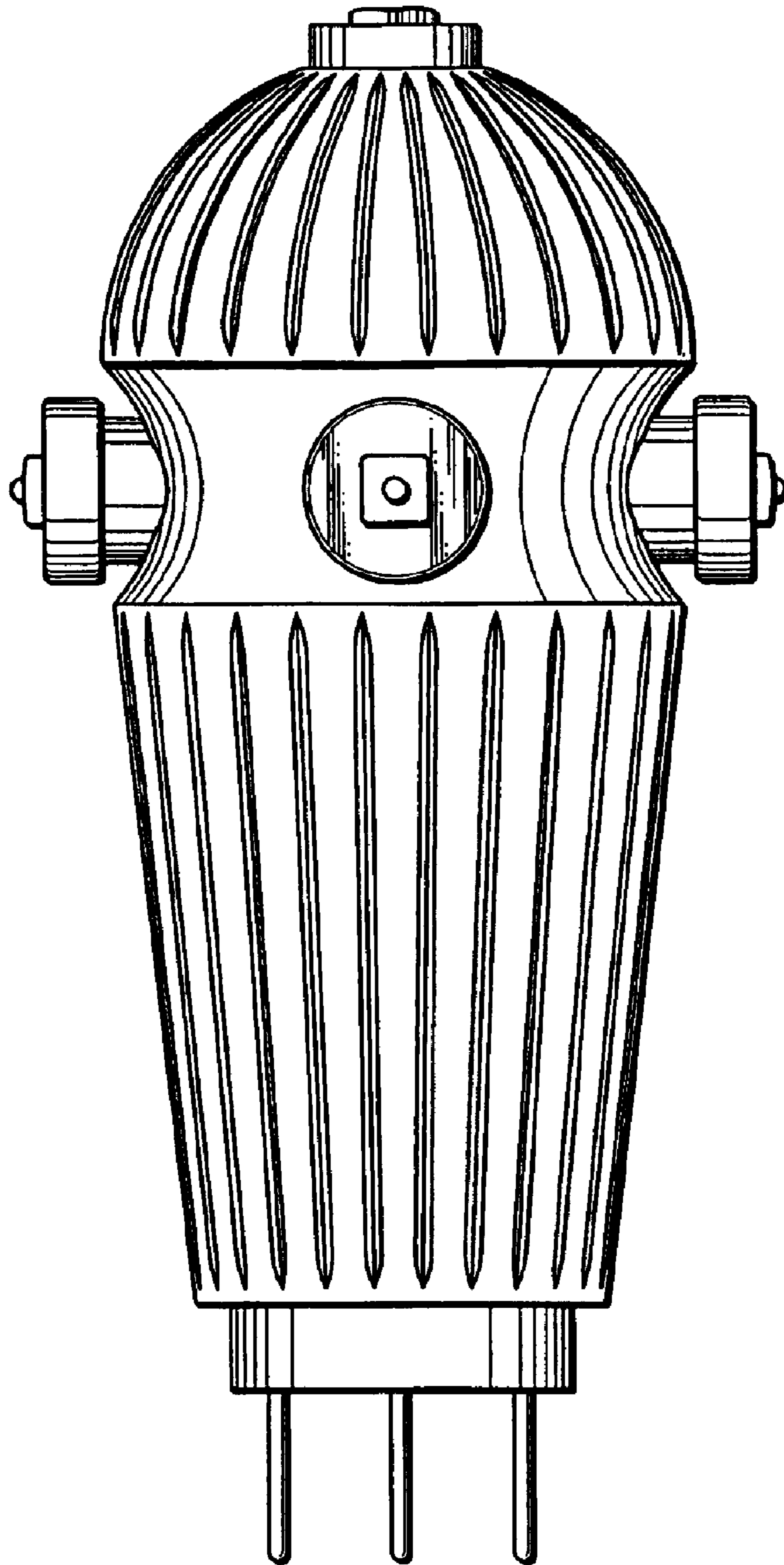
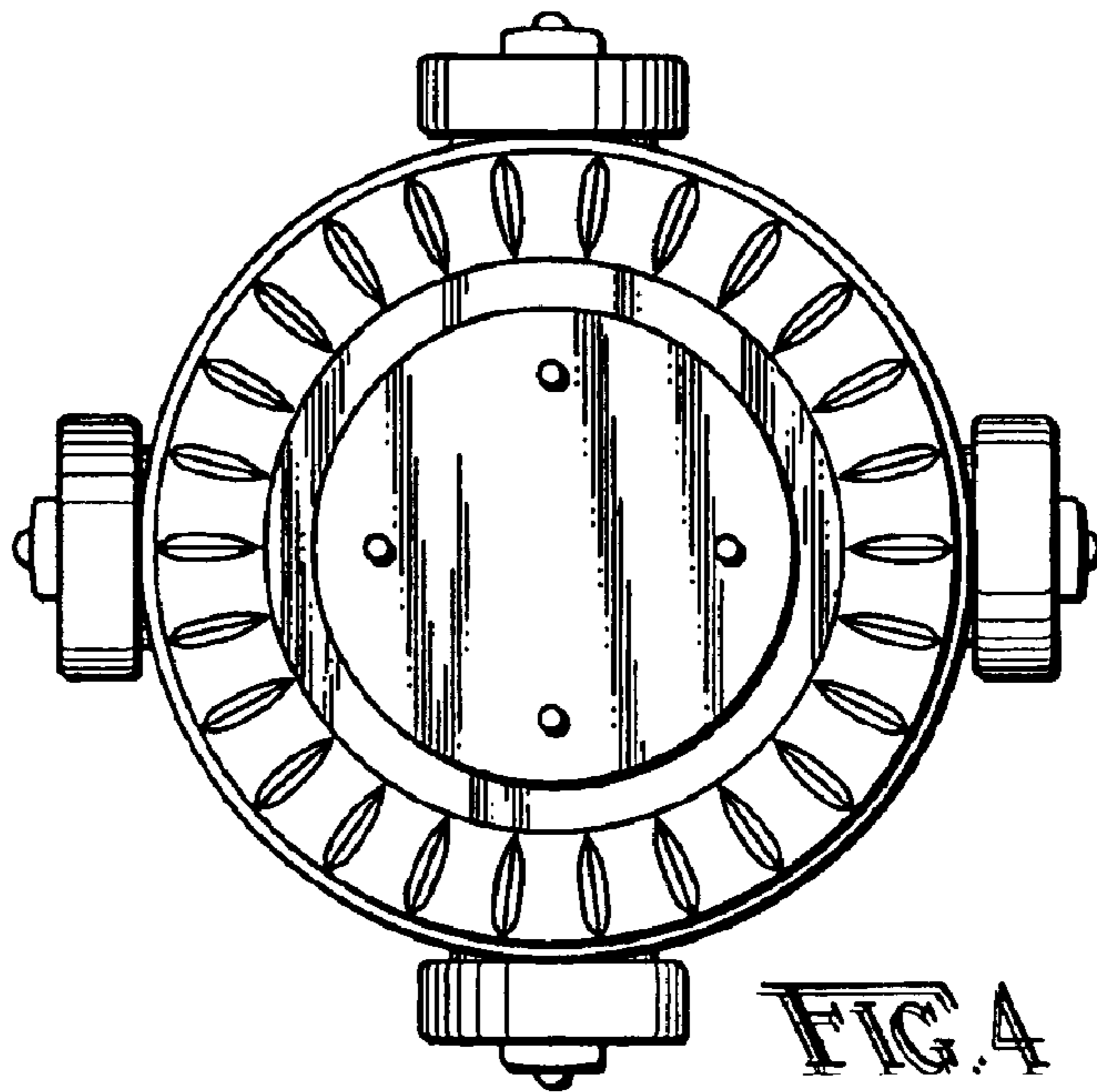
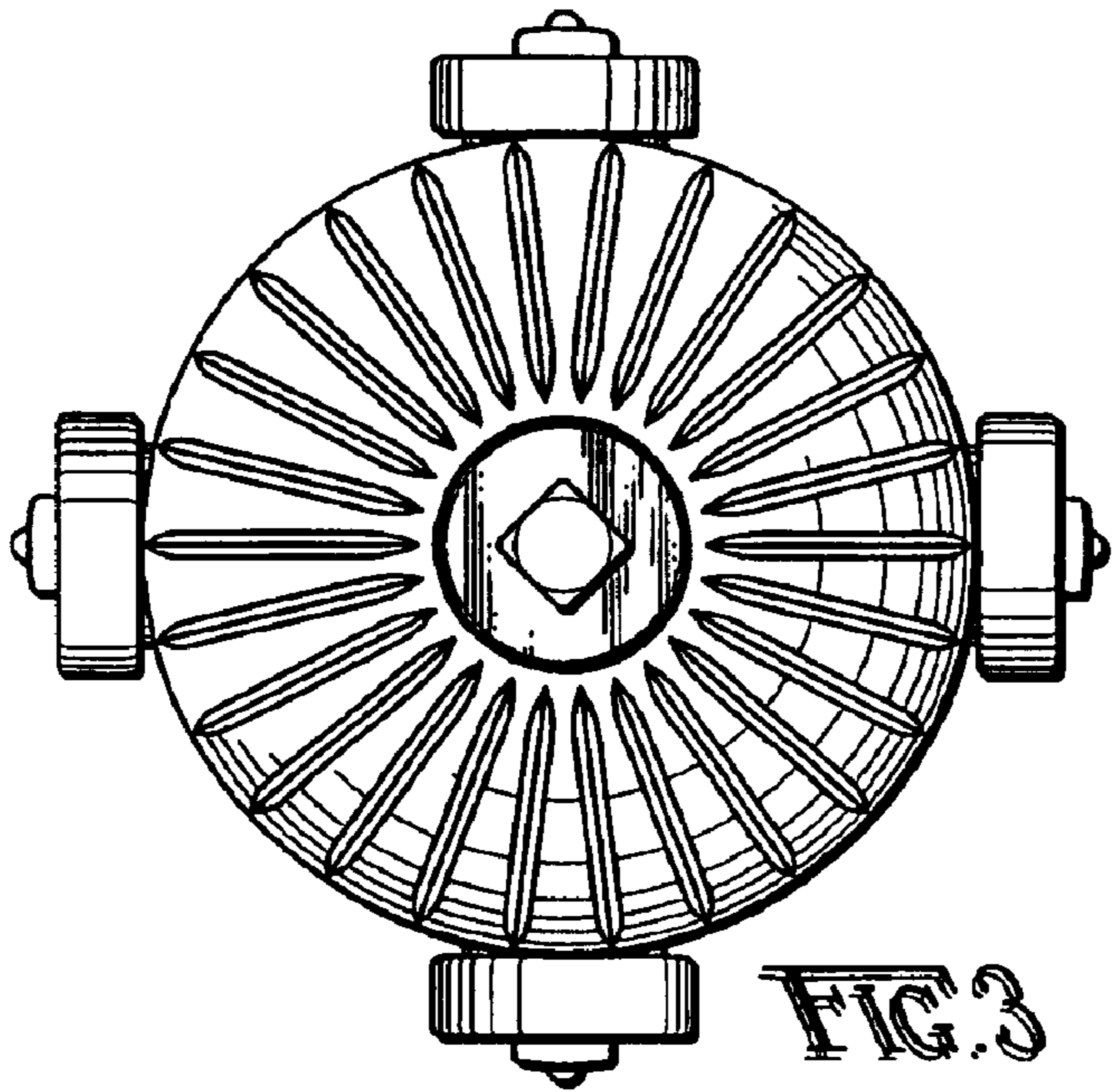


FIG. 2



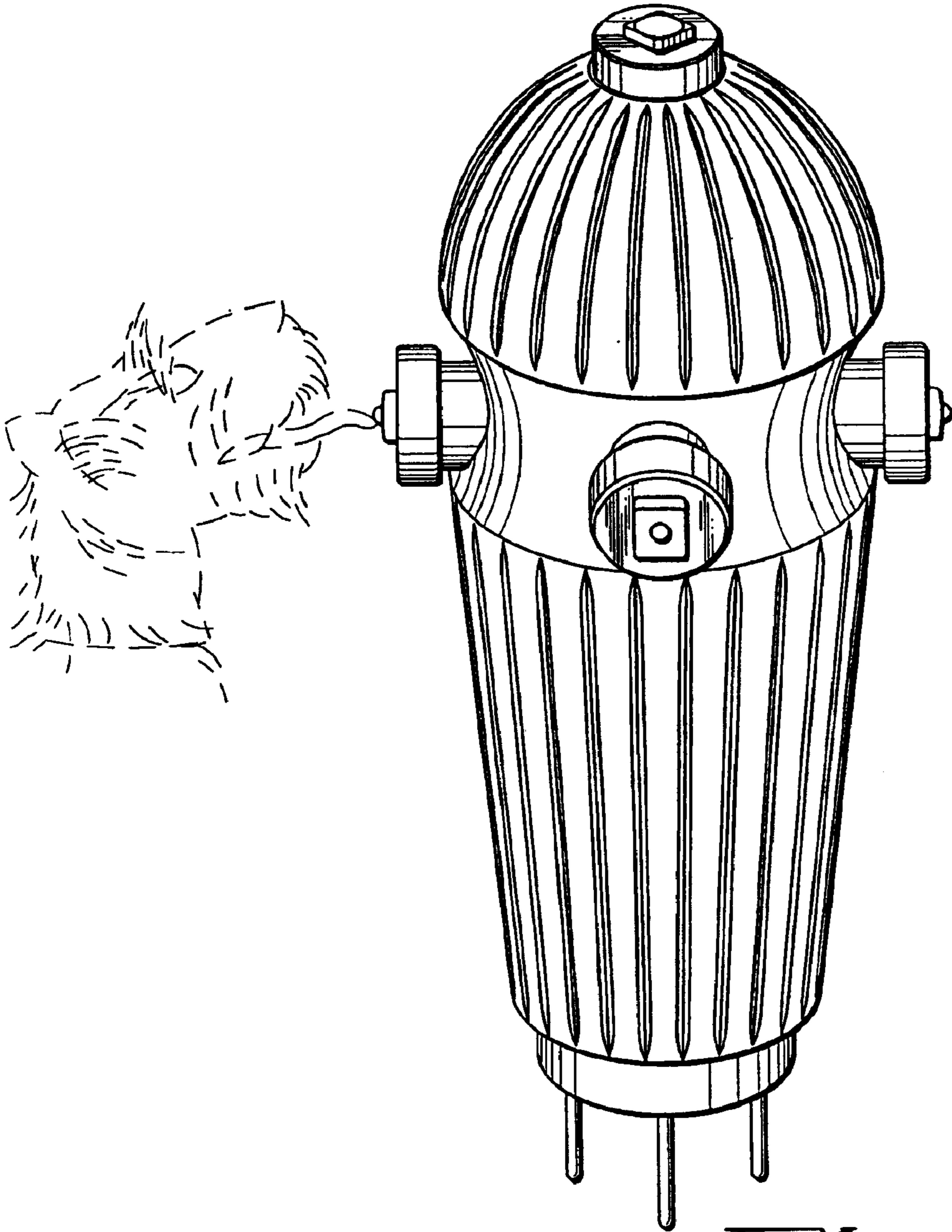


FIG. 5